



US00D985456S

(12) **United States Design Patent**  
**Thai**

(10) **Patent No.:** **US D985,456 S**

(45) **Date of Patent:** **\*\* May 9, 2023**

(54) **WHEEL**

(71) Applicant: **Wheel Pros, LLC**, Greenwood Village, CO (US)

(72) Inventor: **Alvin Thai**, Buena Park, CA (US)

(73) Assignee: **Wheel Pros, LLC**, Greenwood Village, CO (US)

(\*\*) Term: **15 Years**

(21) Appl. No.: **29/794,852**

(22) Filed: **Jun. 15, 2021**

(51) **LOC (14) Cl.** ..... **12-16**

(52) **U.S. Cl.**  
USPC ..... **D12/209**

(58) **Field of Classification Search**  
USPC ..... D12/204–213; D21/563  
CPC .... B60B 7/00; B60B 7/02; B60B 7/04; B60B 7/01; B60B 7/06; B60B 3/02; B60B 3/04; B60B 3/06; B60B 3/10; B60B 1/00; B60B 1/08; B60B 1/10; B60B 1/12  
See application file for complete search history.

(56) **References Cited**

**U.S. PATENT DOCUMENTS**

D273,102 S	3/1984	Woodward
D291,796 S	9/1987	Reid
D361,975 S	9/1995	Weld
D391,216 S	2/1998	Ballmann
D408,775 S	4/1999	Shikado
D453,492 S	2/2002	Laengerer
D453,724 S	2/2002	Hodges
D455,698 S	4/2002	Chung
D464,010 S	10/2002	Chung
D467,212 S	12/2002	Noriega
D470,094 S	2/2003	van Hooydonk
D480,036 S	9/2003	Laengerer

D482,996 S	12/2003	Sulahian
D492,925 S	7/2004	Fitzgerald
D496,317 S	9/2004	Kataoka
D499,684 S	12/2004	Cheng
D502,438 S	3/2005	Weld
D504,859 S	5/2005	Sulahian
D505,374 S	5/2005	Aleman
D510,307 S	10/2005	Howes
D519,433 S	4/2006	Finn
D523,797 S	6/2006	Gallert
D524,212 S	7/2006	Phillips
D524,220 S	7/2006	Scheu
D524,315 S	7/2006	Reusing et al.
D528,495 S	9/2006	Truebsbach
D542,209 S	5/2007	Pfeiffer
D549,148 S	8/2007	Buschmann
D550,600 S	9/2007	Celik
D569,777 S	5/2008	Chung
D576,093 S	9/2008	Chung
D577,650 S	9/2008	Chung
D579,845 S	11/2008	Chung
D582,827 S	12/2008	Musser
D582,831 S	12/2008	Musser
D596,009 S	7/2009	Sawhney et al.
D598,357 S	8/2009	Chung
D612,316 S	3/2010	Sanschagrin
D617,723 S	6/2010	Zhao

(Continued)

*Primary Examiner* — Calvin E Vasant

(74) *Attorney, Agent, or Firm* — Eric Hanscom

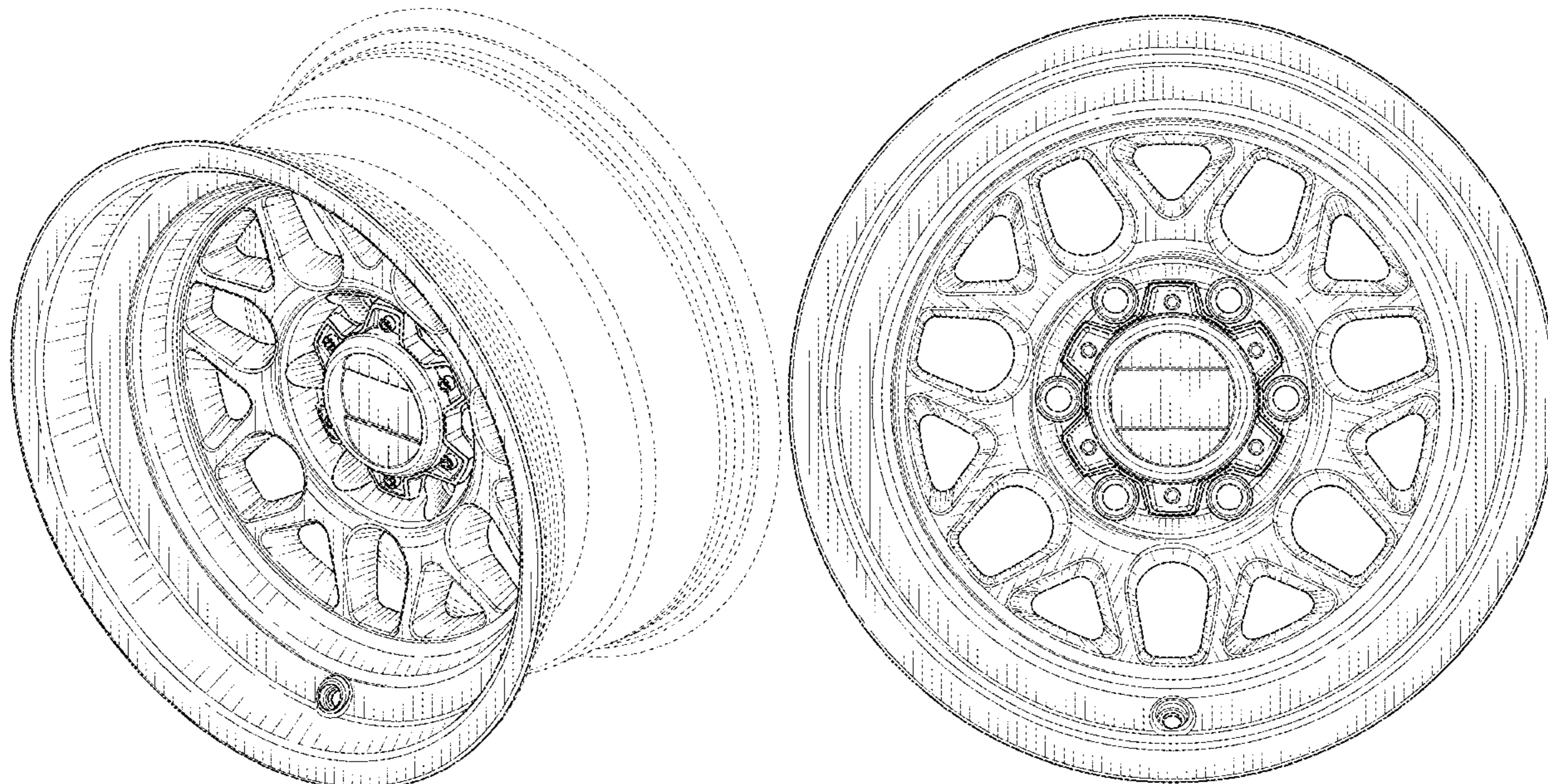
(57) **CLAIM**

The ornamental design for a wheel, as shown and described.

**DESCRIPTION**

FIG. 1 is a perspective view of a wheel showing my new design; and, FIG. 2 is a front view thereof. In the drawings, the broken lines depict portions of the wheel that form no part of the claimed design.

**1 Claim, 2 Drawing Sheets**



(56)

References Cited

U.S. PATENT DOCUMENTS

D623,109 S 9/2010 Markefka  
 D635,903 S 4/2011 Zhang  
 D654,007 S 2/2012 Nissl  
 D654,420 S 2/2012 Guay  
 D660,771 S 5/2012 Mueller-Stolz  
 D669,009 S 10/2012 Chung  
 D680,938 S 4/2013 Hale  
 D686,961 S 7/2013 Chung  
 D695,182 S \* 12/2013 Chung ..... D12/209  
 D695,193 S 12/2013 Kong  
 D698,298 S 1/2014 Cortes  
 D698,300 S 1/2014 Chung  
 D702,172 S 4/2014 Chung  
 D704,117 S 5/2014 Chung  
 D704,617 S 5/2014 Chung  
 D706,197 S 6/2014 Chung  
 D707,167 S 6/2014 Chung  
 D709,020 S 7/2014 Chung  
 D711,304 S 8/2014 Chung  
 D713,316 S 9/2014 Song  
 D714,207 S 9/2014 Kim  
 D717,709 S 11/2014 Valencia Pollex  
 D719,893 S 12/2014 Kim  
 D731,946 S 6/2015 Chung  
 D742,293 S 11/2015 Chung  
 D753,046 S 4/2016 Liffick  
 D754,045 S \* 4/2016 Chung ..... D12/209  
 D756,882 S 5/2016 Tirado  
 D758,276 S 6/2016 Licklitter  
 D766,805 S 9/2016 Chung  
 D769,785 S 10/2016 Wells  
 D780,655 S 3/2017 Trim  
 D791,036 S \* 7/2017 Owens ..... D12/209  
 D798,786 S 10/2017 Chung  
 D798,789 S 10/2017 Kong  
 D799,395 S 10/2017 Chung  
 D800,630 S 10/2017 Tran  
 D800,633 S 10/2017 Kong  
 D802,512 S 11/2017 Kong  
 D805,454 S 12/2017 Kong  
 D805,455 S 12/2017 Kong  
 D807,805 S 1/2018 Caldwell  
 D808,876 S 1/2018 Caldwell

D817,845 S 5/2018 Guidry  
 D821,284 S 6/2018 Tran  
 D822,575 S 7/2018 Chung  
 D824,314 S 7/2018 Chung  
 D824,315 S \* 7/2018 Tran ..... D12/209  
 D824,316 S 7/2018 Tran  
 D826,819 S \* 8/2018 Chung ..... D12/209  
 D826,827 S 8/2018 Tran  
 D829,152 S 9/2018 Caldwell  
 D833,360 S 11/2018 Kong  
 D835,022 S 12/2018 Kong  
 D835,023 S 12/2018 Tran  
 D838,223 S 1/2019 Chung  
 D840,900 S 2/2019 Licklitter  
 D840,901 S 2/2019 Licklitter  
 D840,902 S 2/2019 Licklitter  
 D842,186 S 3/2019 Kong  
 D845,861 S 4/2019 Tran  
 D849,655 S 5/2019 Kong  
 D849,657 S 5/2019 Kong  
 D850,349 S 6/2019 Licklitter  
 D852,706 S 7/2019 Tran  
 D860,899 S 9/2019 Licklitter  
 D860,900 S 9/2019 Licklitter  
 D860,901 S 9/2019 Licklitter  
 D862,341 S 10/2019 Kong  
 D893,386 S 8/2020 Chung  
 D896,729 S 9/2020 Chung  
 D897,926 S 10/2020 Chung  
 D899,999 S 10/2020 Kong  
 D904,271 S 12/2020 Henderson  
 D904,272 S 12/2020 Licklitter  
 D904,963 S 12/2020 Hale, Jr.  
 D909,272 S 2/2021 Chung  
 D910,525 S 2/2021 Tran  
 D911,245 S 2/2021 Chung  
 D912,589 S 3/2021 Hale, Jr.  
 D912,591 S 3/2021 Tran  
 D918,810 S 5/2021 Licklitter  
 D922,928 S 6/2021 Kong  
 D927,386 S 8/2021 Licklitter  
 D934,146 S \* 10/2021 Tran ..... D12/209  
 D937,170 S \* 11/2021 Tran ..... D12/209  
 D937,171 S \* 11/2021 Henderson ..... D12/209  
 D940,039 S \* 1/2022 Han ..... D12/209

\* cited by examiner

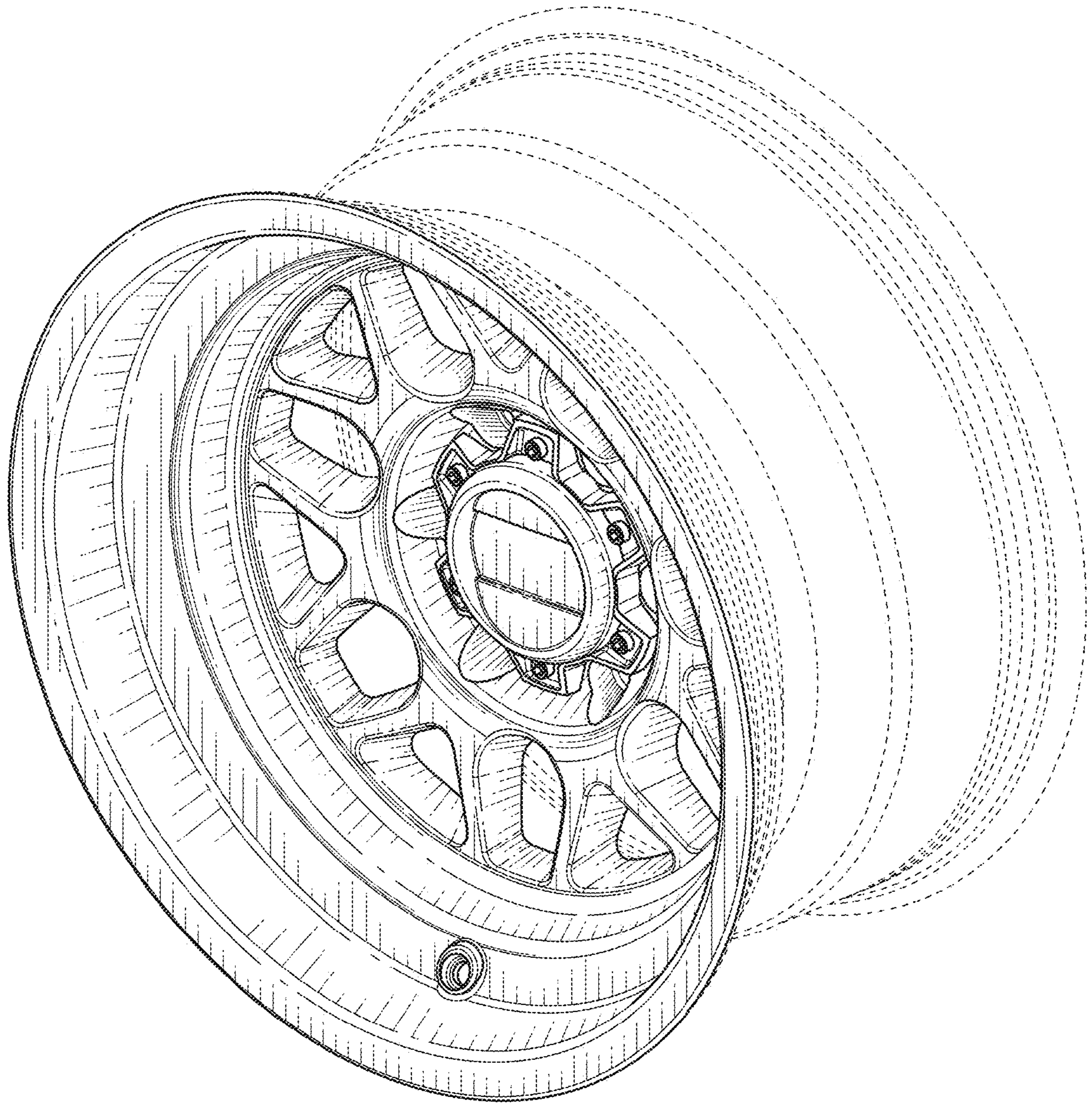


FIG. 1

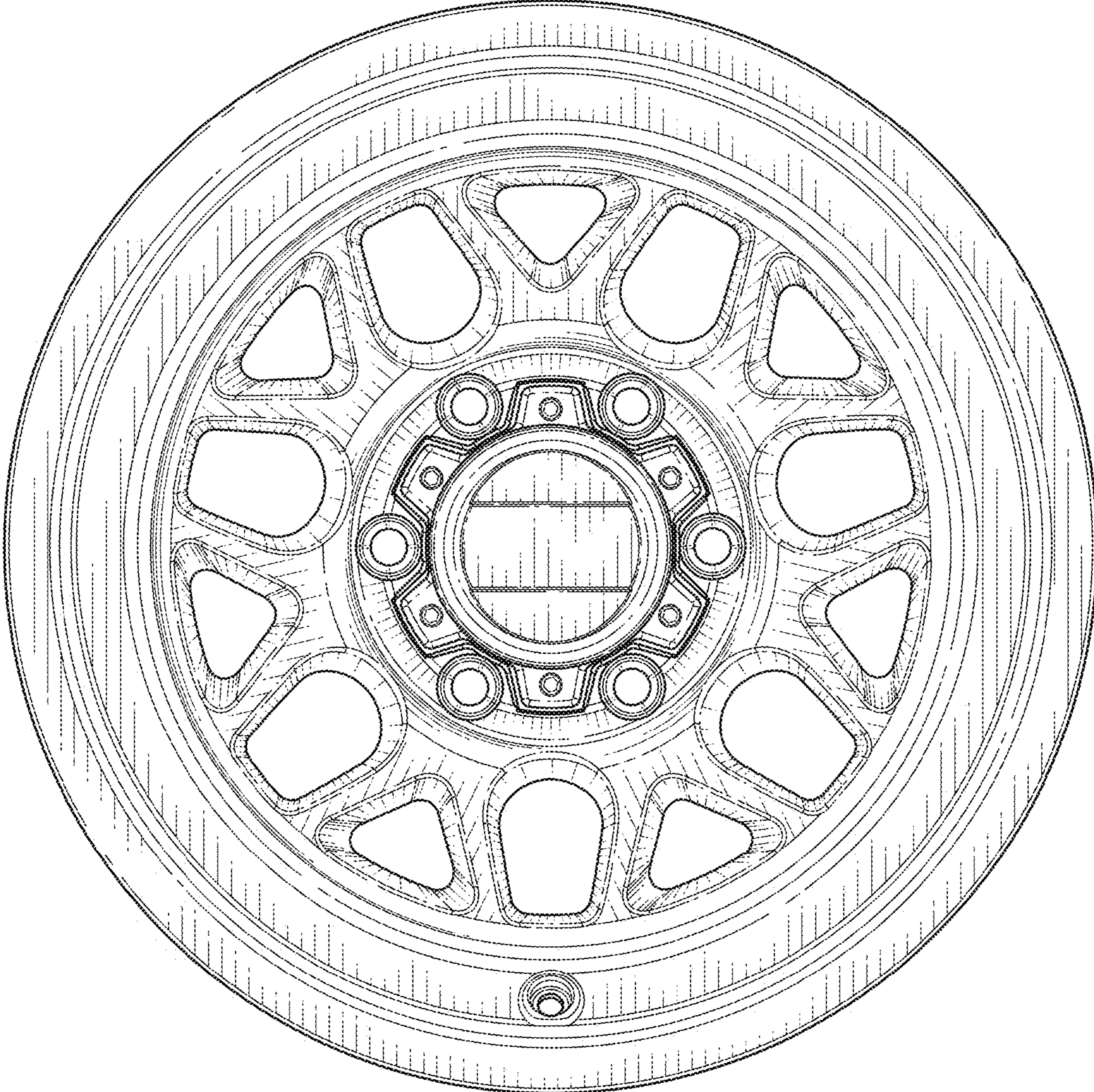


FIG. 2