



US00D985455S

(12) **United States Design Patent** (10) **Patent No.:** **US D985,455 S**  
**Sun** (45) **Date of Patent:** **\*\* May 9, 2023**

(54) **DOOR SILL GUARD SET**  
(71) Applicant: **Mengping Sun**, Hunan (CN)  
(72) Inventor: **Mengping Sun**, Hunan (CN)  
(\*\*) Term: **15 Years**  
(21) Appl. No.: **29/840,942**  
(22) Filed: **Jun. 2, 2022**  
(51) **LOC (14) Cl.** ..... **12-16**  
(52) **U.S. Cl.**  
USPC ..... **D12/203**  
(58) **Field of Classification Search**  
USPC ..... D12/86, 89, 90, 91, 92, 93, 94, 96, 97,  
D12/98, 99, 100, 163, 164, 167, 169, 181,  
D12/184, 185, 190, 192, 196, 203, 223,  
D12/400; D21/533, 548, 552, 561  
CPC ..... B60R 13/02; B60R 13/04; B60R 13/043;  
B60R 13/0861; B60R 2013/0293; B60R  
2013/046; B60R 3/00; B60R 3/002; B60R  
3/02; B60R 3/007; B62D 25/02; B62D  
25/025; B62D 25/16; B62D 25/161;  
B62D 25/168; B62D 25/18; B62D  
25/182; B62D 25/184; B62D 35/008  
See application file for complete search history.

D513,725 S \* 1/2006 Metros ..... D12/203  
D568,221 S \* 5/2008 Cord ..... D12/203  
D632,627 S \* 2/2011 Huang-Tsai ..... D12/203  
D915,953 S 4/2021 Zou

**OTHER PUBLICATIONS**

Rowa, Published Jun. 1, 2022 [online], [retrieved on Aug. 13, 2022].  
Retrieved from the Internet: <https://www.amazon.com/Rowa-2018-2022-2020-2022-Gladiator-Replacement/dp/B0B2W9P9G2> (Year: 2022).\*

\* cited by examiner

*Primary Examiner* — Cary M Robinson  
*Assistant Examiner* — Adam C Mager  
(74) *Attorney, Agent, or Firm* — Che-Yang Chen; Law  
Office of Michael Chen

(57) **CLAIM**

The ornamental design for a door sill guard set, as shown and described.

**DESCRIPTION**

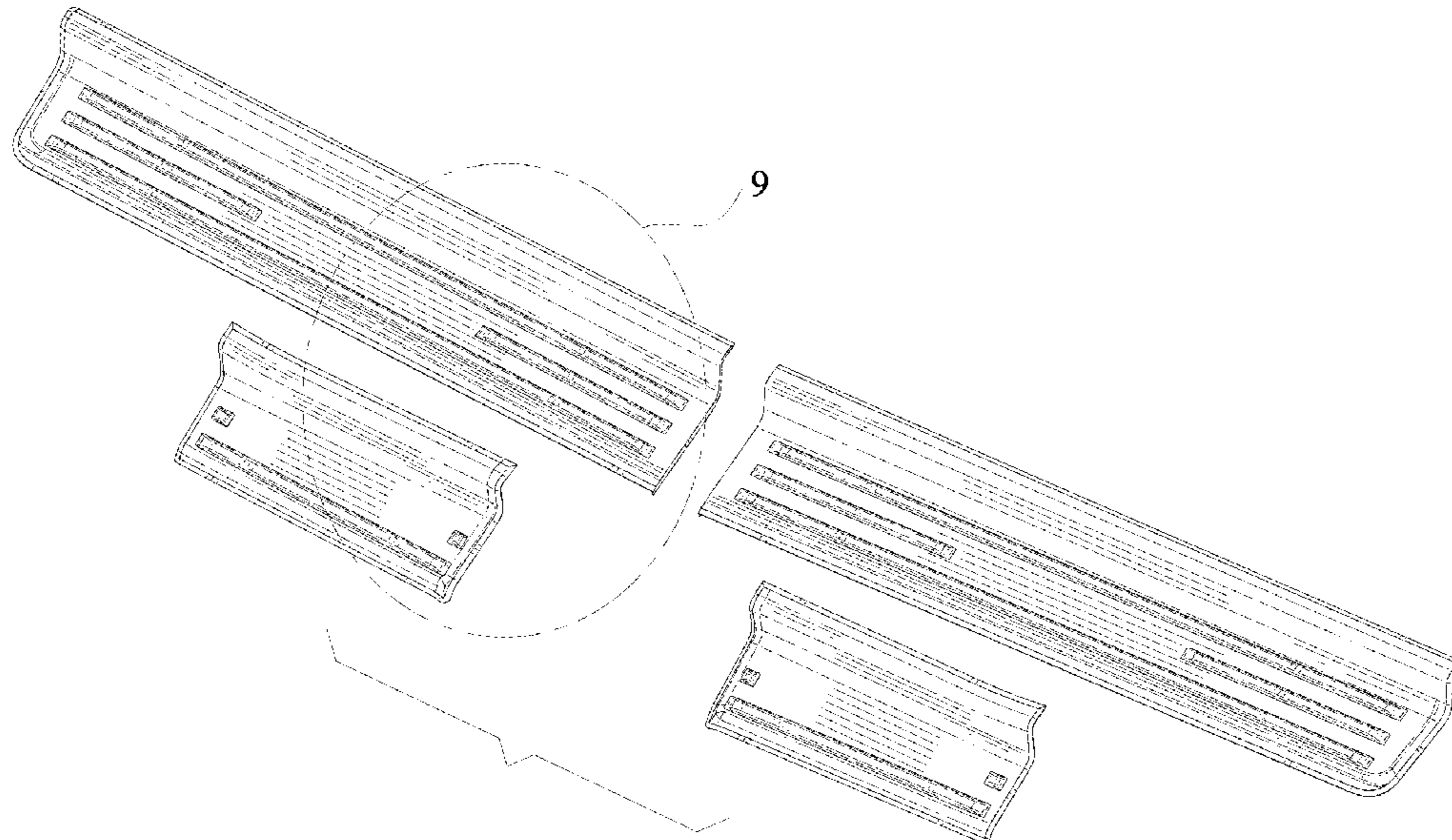
FIG. 1 is a perspective view of the door sill guard set showing my new design;  
FIG. 2 is a perspective view thereof from another angle;  
FIG. 3 is a front elevational view thereof;  
FIG. 4 is a rear elevational view thereof;  
FIG. 5 is a left side elevational view thereof;  
FIG. 6 is a right side elevational view thereof;  
FIG. 7 is a top plan view thereof;  
FIG. 8 is a bottom plan view thereof.  
FIG. 9 is an enlarged view of a portion indicated with numeric 9 in FIG. 1; and,  
FIG. 10 is a cutaway view of a portion indicated with numeric 10 in FIG. 3.  
The dot-dash lines viewed in FIGS. 1, 9 are for the purpose of depicting boundaries of the enlarged views and form no part of the claimed design.

(56) **References Cited**

**U.S. PATENT DOCUMENTS**

D53,736 S \* 8/1919 Hayne ..... D25/69  
D53,737 S \* 8/1919 Hayne ..... D25/69  
D256,618 S \* 8/1980 Klein ..... D25/69  
D257,532 S \* 11/1980 Okland ..... D12/203  
D261,133 S \* 10/1981 Makela ..... D12/203  
D302,967 S \* 8/1989 Bowdoin ..... D12/203  
D305,323 S \* 1/1990 Anderson ..... D12/203  
4,934,721 A \* 6/1990 Flores ..... B60R 3/002  
280/169  
D318,039 S \* 7/1991 Flores ..... D12/203  
D496,898 S \* 10/2004 Metros ..... D12/203

**1 Claim, 10 Drawing Sheets**



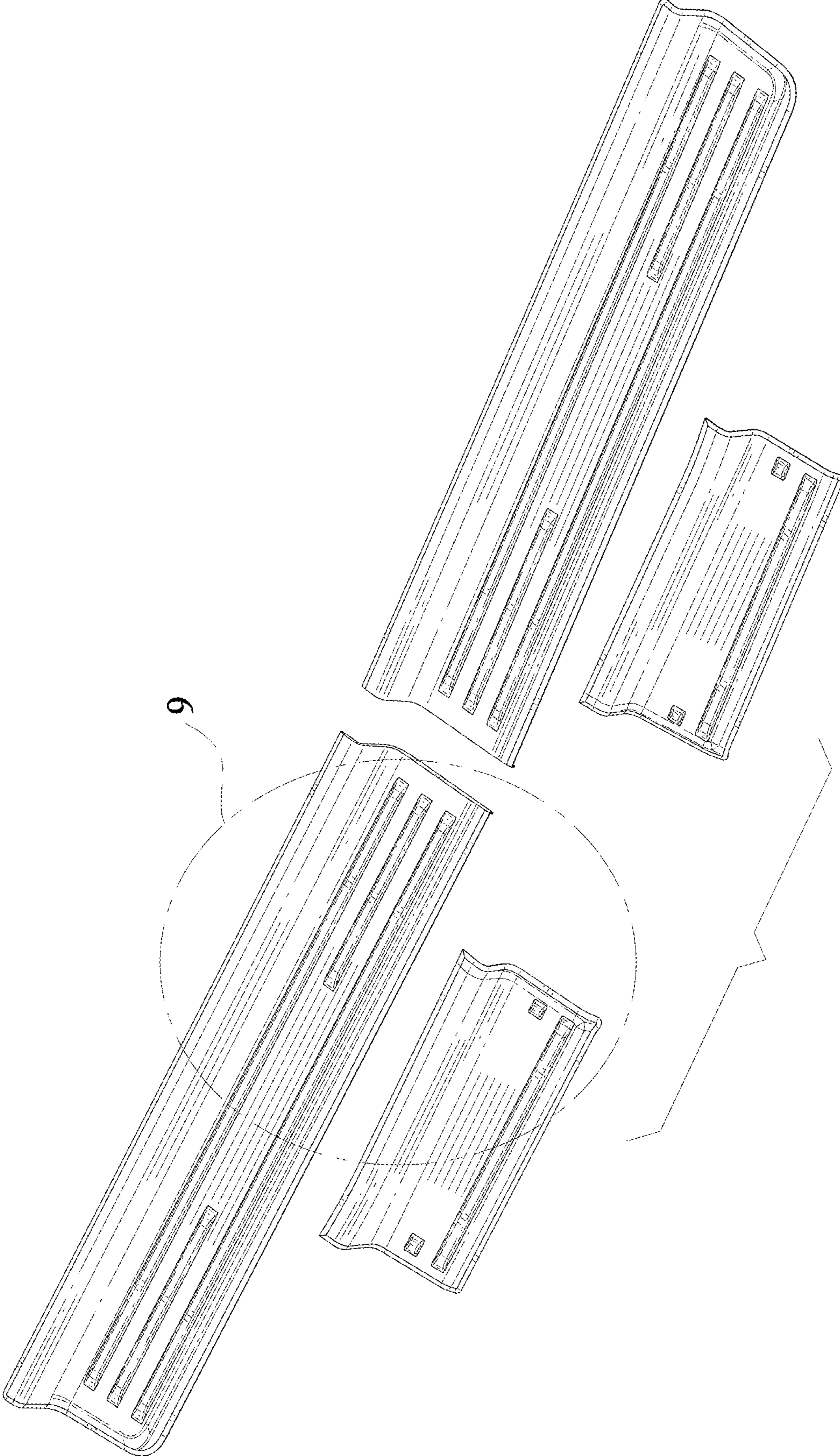


FIG. 1

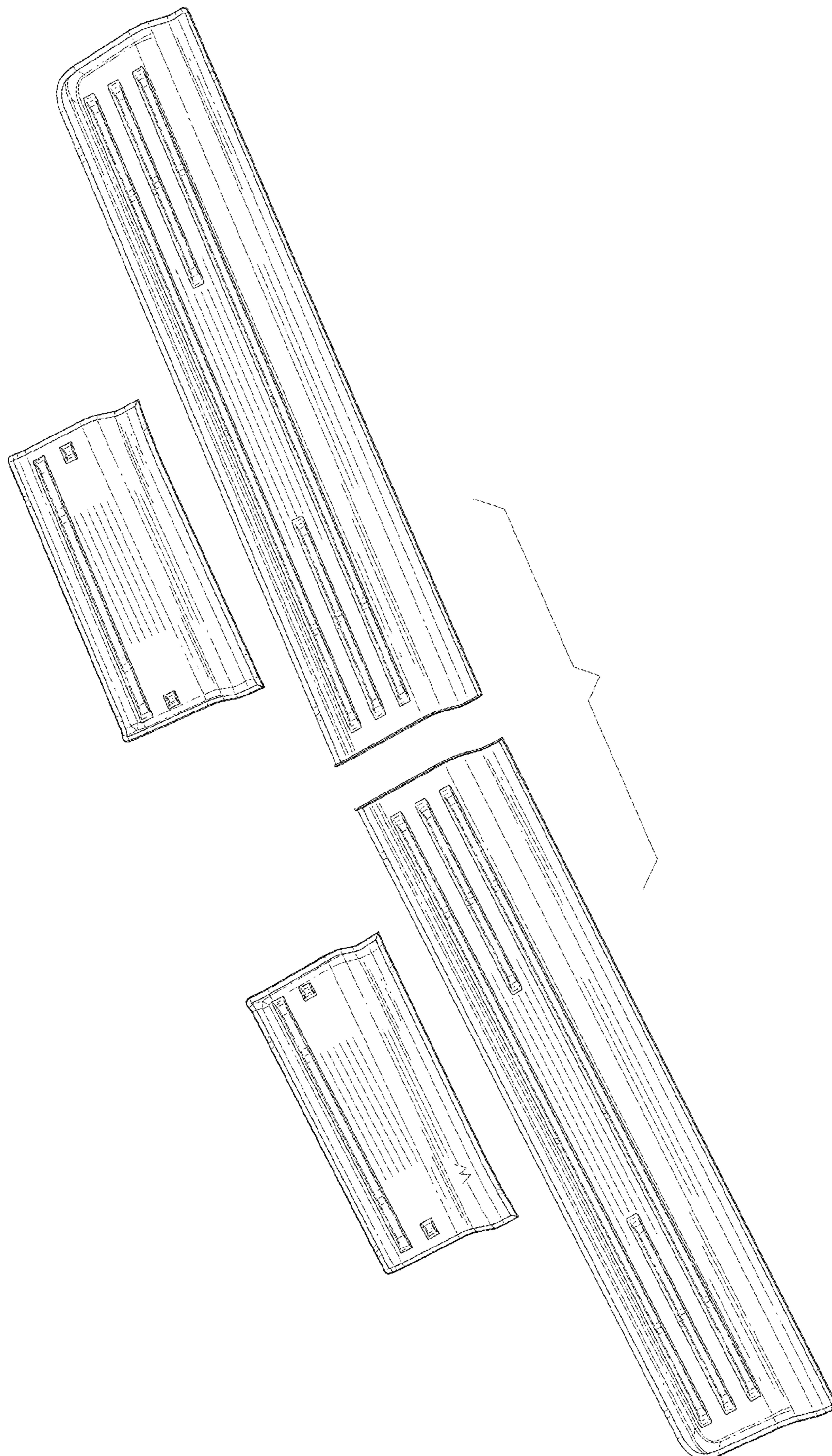


FIG. 2

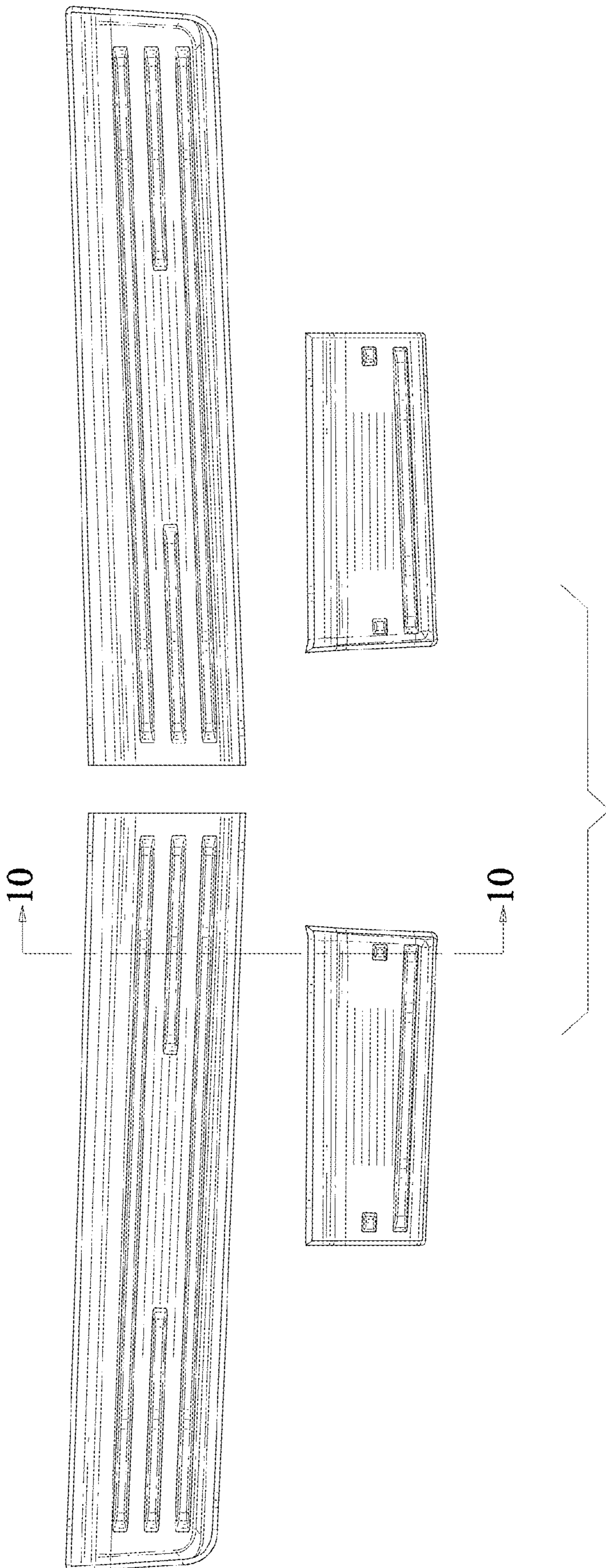


FIG. 3

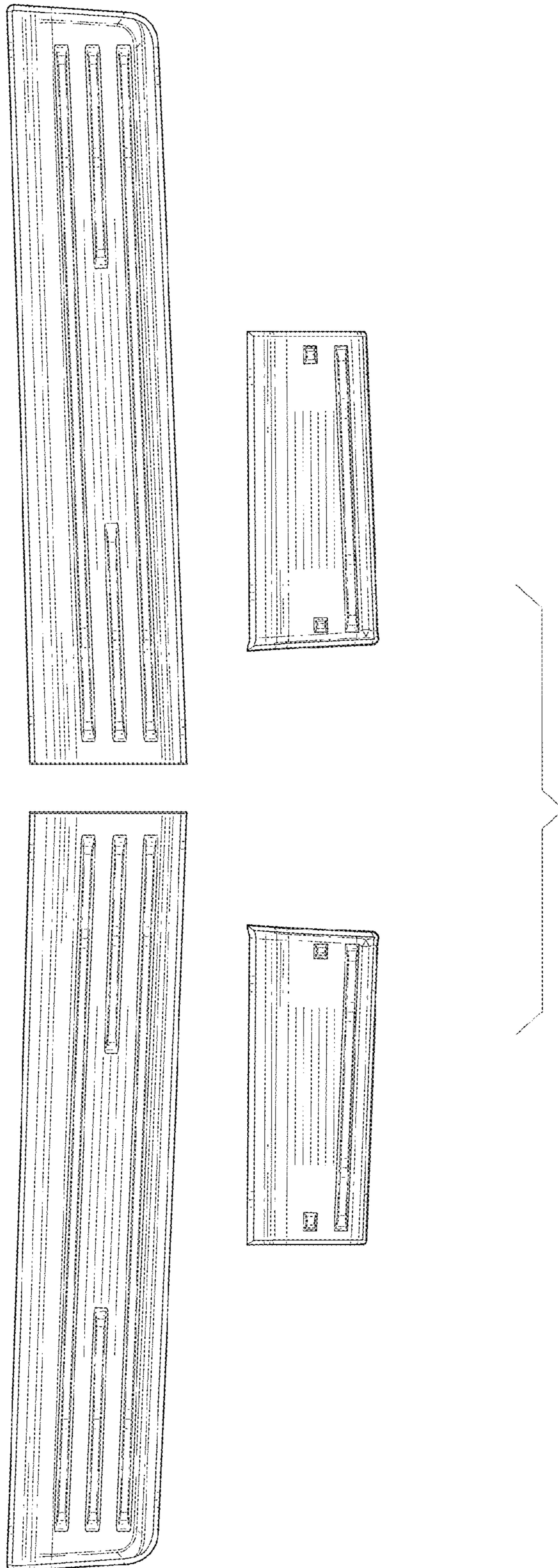


FIG. 4

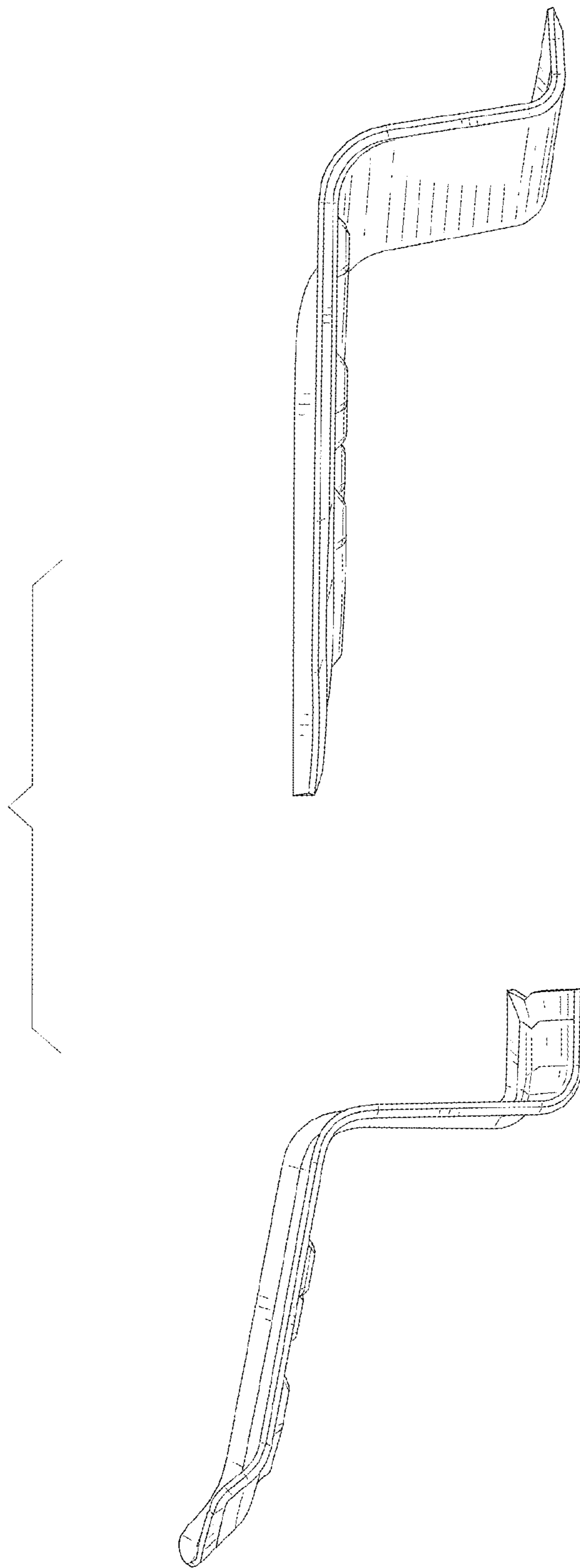


FIG. 5

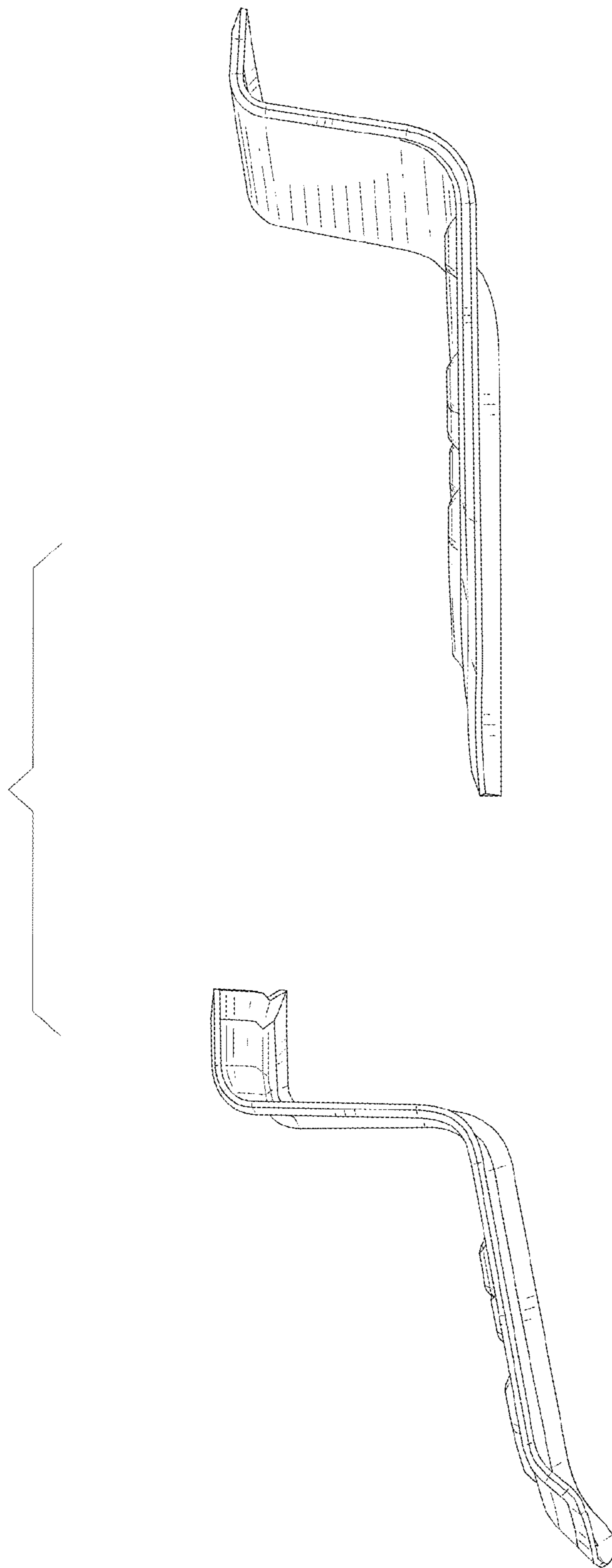


FIG. 6

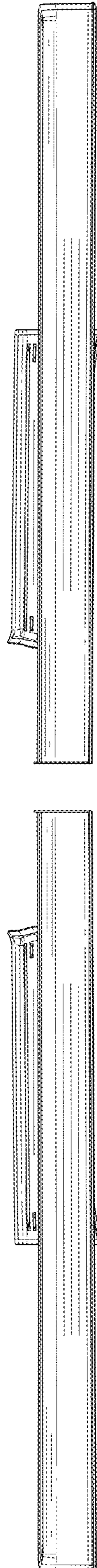


FIG. 7



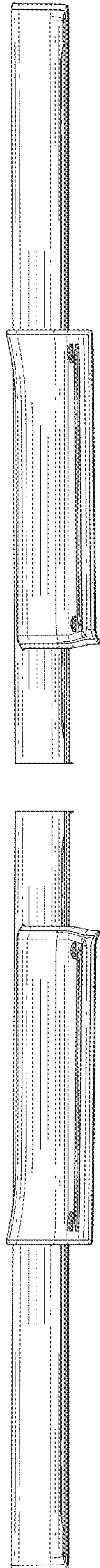


FIG. 8

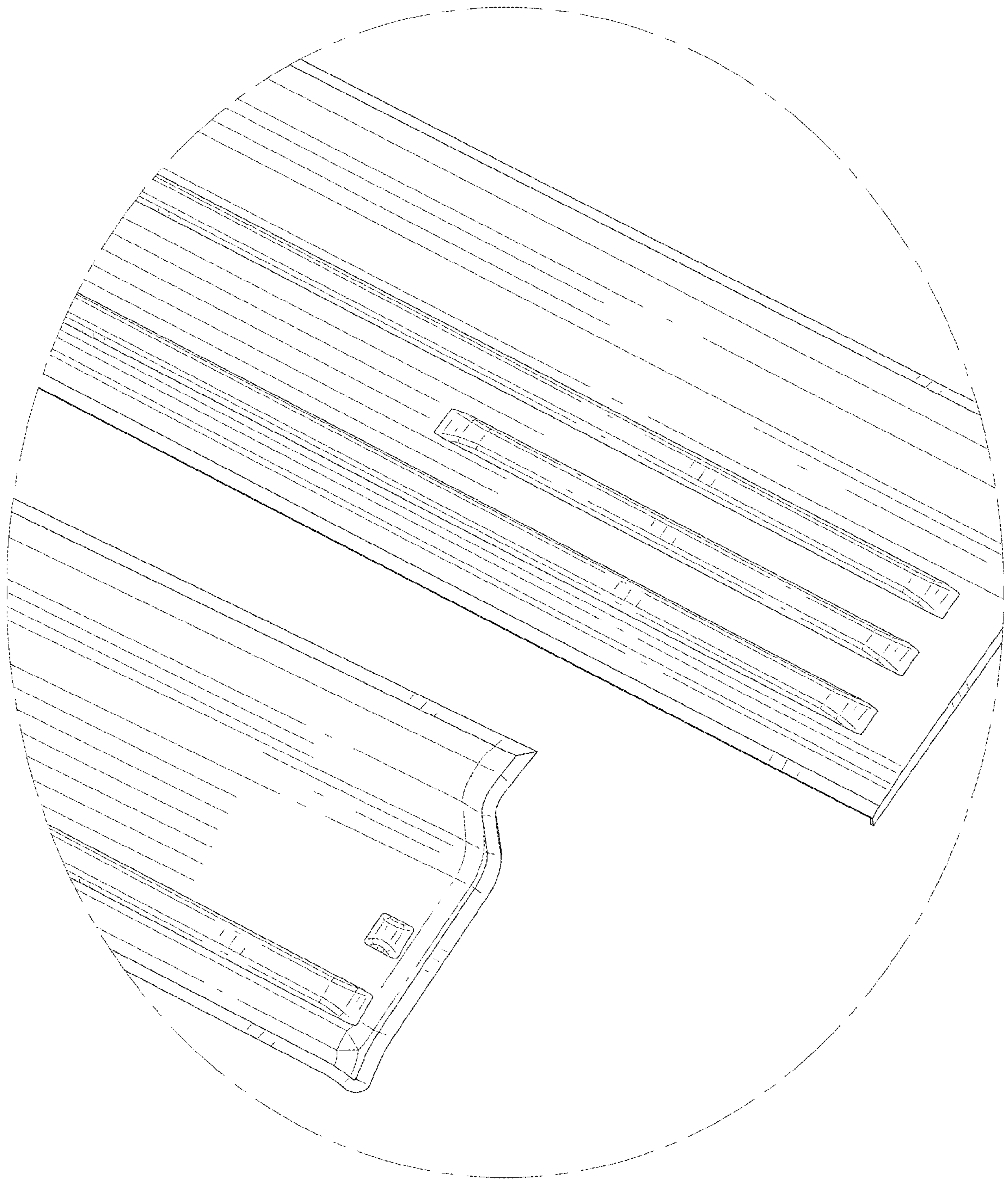


FIG. 9

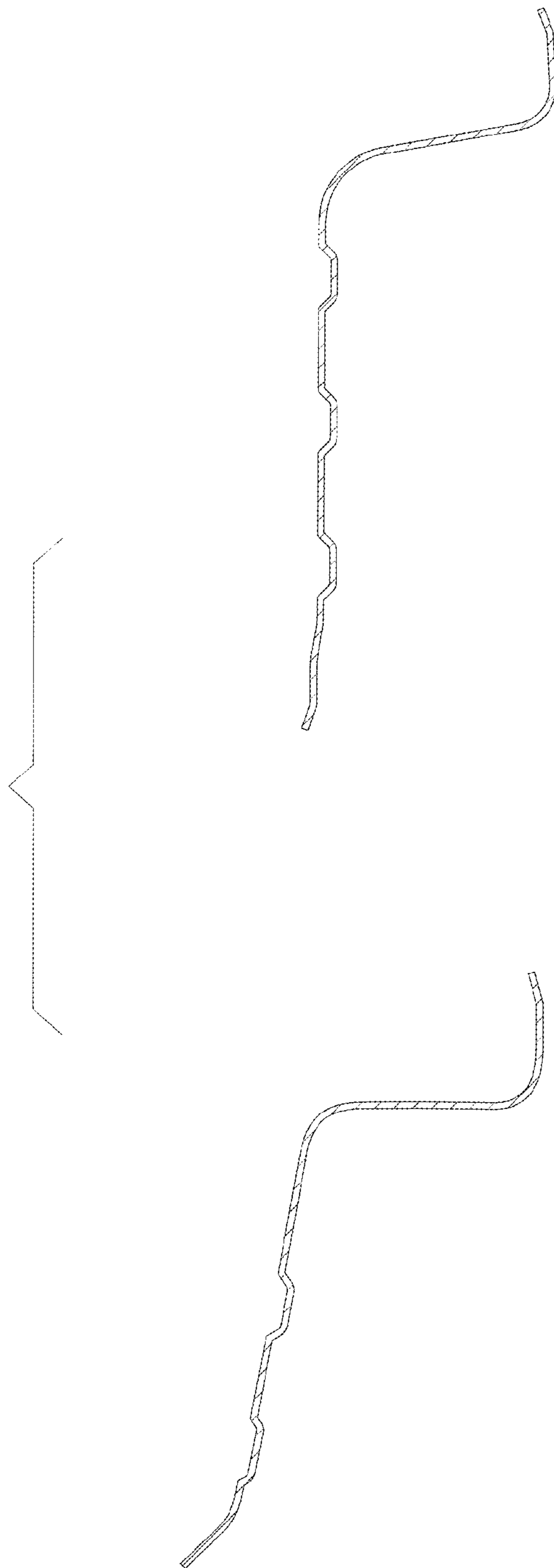


FIG. 10