



US00D985454S

(12) **United States Design Patent** (10) **Patent No.:** **US D985,454 S**
Wu (45) **Date of Patent:** **** May 9, 2023**

(54) **MAT**
(71) Applicant: **XIAMEN SHENGJINLONG INDUSTRY AND TRADE CO., LTD.,**
Xiamen (CN)
(72) Inventor: **Zhengjin Wu,** Xiamen (CN)
(73) Assignee: **XIAMEN SHENGJINLONG INDUSTRY AND TILADE CO., LTD.,** Xiamen (CN)
(**) Term: **15 Years**
(21) Appl. No.: **29/812,907**
(22) Filed: **Oct. 25, 2021**
(51) **LOC (14) Cl.** **12-16**
(52) **U.S. Cl.**
USPC **D12/203**
(58) **Field of Classification Search**
USPC D12/203, 221; D6/582-586, 592-594
CPC B60R 13/01; B60N 3/044; B60N 3/04
See application file for complete search history.

D701,155 S * 3/2014 Lu D12/203
D703,976 S * 5/2014 Mauro D6/592
D707,981 S * 7/2014 Allen D6/585
D718,697 S * 12/2014 Koblenzer D12/221
D733,022 S * 6/2015 Chang D12/203
D734,232 S * 7/2015 Chang D12/203
D775,571 S * 1/2017 Gross D12/203
D776,036 S * 1/2017 Lu D12/203
D793,316 S * 8/2017 Gross D12/203
D794,524 S * 8/2017 Boyce, II D12/203
D805,450 S * 12/2017 Alesi D12/203
D813,776 S * 3/2018 Jaimes D12/203
D833,358 S * 11/2018 Lu D12/203
D915,975 S * 4/2021 Roh D12/203
D917,206 S * 4/2021 Taylor D6/601
D929,284 S * 8/2021 Chang D12/203
2013/0260083 A1* 10/2013 Price B29C 45/26
428/95

* cited by examiner

Primary Examiner — Michelle E. Wilson
Assistant Examiner — Clese Moore, Jr.

(57) **CLAIM**

The ornamental design for a mat, as shown and described.

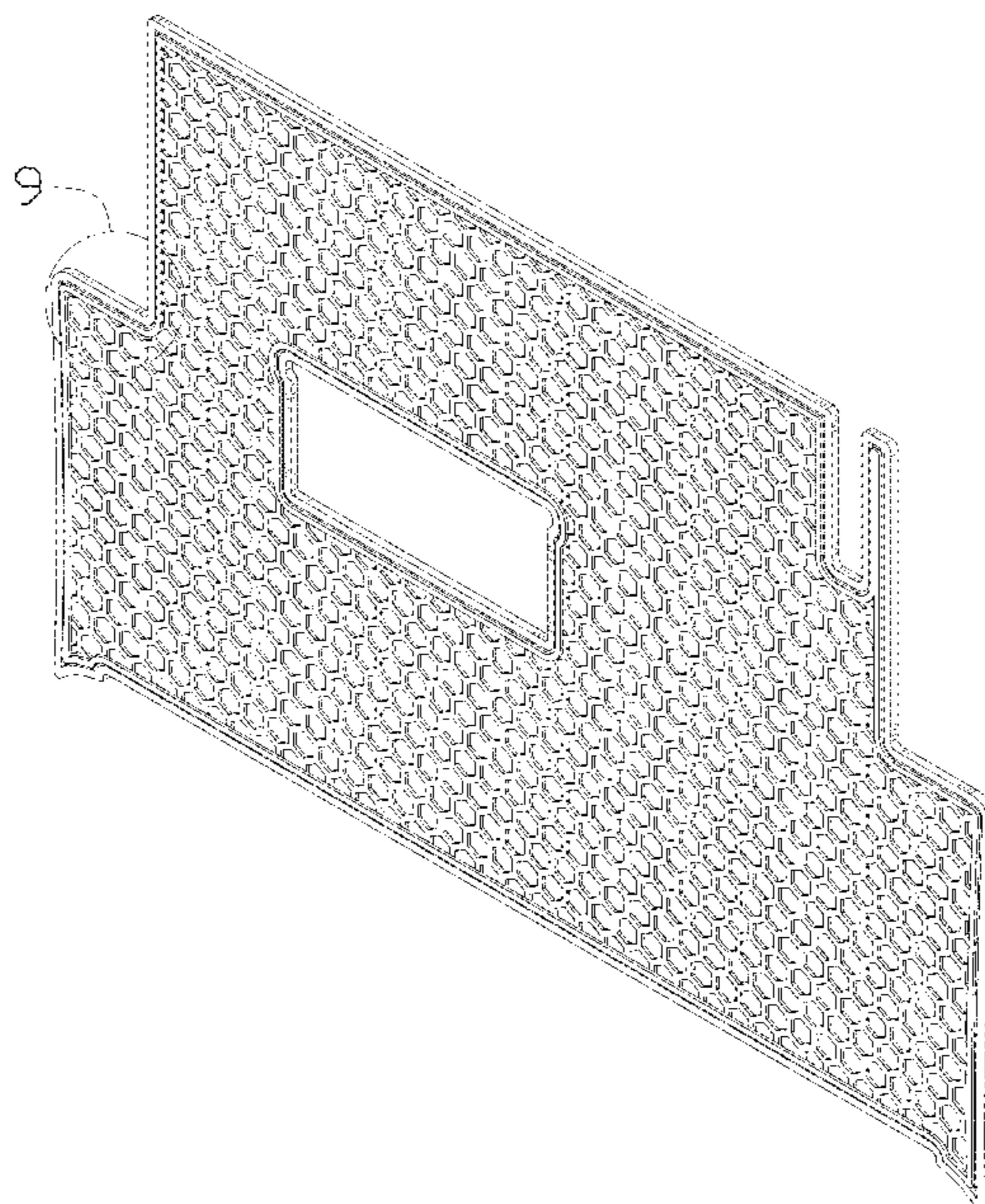
DESCRIPTION

FIG. 1 is a perspective view of a mat showing my new design;
FIG. 2 is another perspective view thereof;
FIG. 3 is a front elevational view thereof;
FIG. 4 is a rear elevational view thereof;
FIG. 5 is a left side elevational view thereof;
FIG. 6 is a right side elevational view thereof;
FIG. 7 is a top plan view thereof;
FIG. 8 is a bottom plan view thereof; and,
FIG. 9 is an enlarged view of portion 9 shown in FIG. 1.
The dot-dash broken lines represent boundaries of the enlarged portion and form no part of the claimed design.

1 Claim, 9 Drawing Sheets

(56) **References Cited**
U.S. PATENT DOCUMENTS

D343,087 S * 1/1994 Kaiser D6/583
D418,800 S * 1/2000 Atkin D12/221
D425,851 S * 5/2000 Tucker D12/221
D469,726 S * 2/2003 Kraines D12/203
D482,646 S * 11/2003 Lu D12/203
D626,485 S * 11/2010 Lu D12/203
D629,636 S * 12/2010 Wright B32B 3/10
D642,003 S * 7/2011 Wright D6/582
D647,447 S * 10/2011 Lu D6/592
D648,252 S * 11/2011 Lu D12/203
D672,180 S * 11/2011 Yang D12/203
D672,180 S * 12/2012 Stoddard D5/53
D692,361 S * 10/2013 Lu D12/203



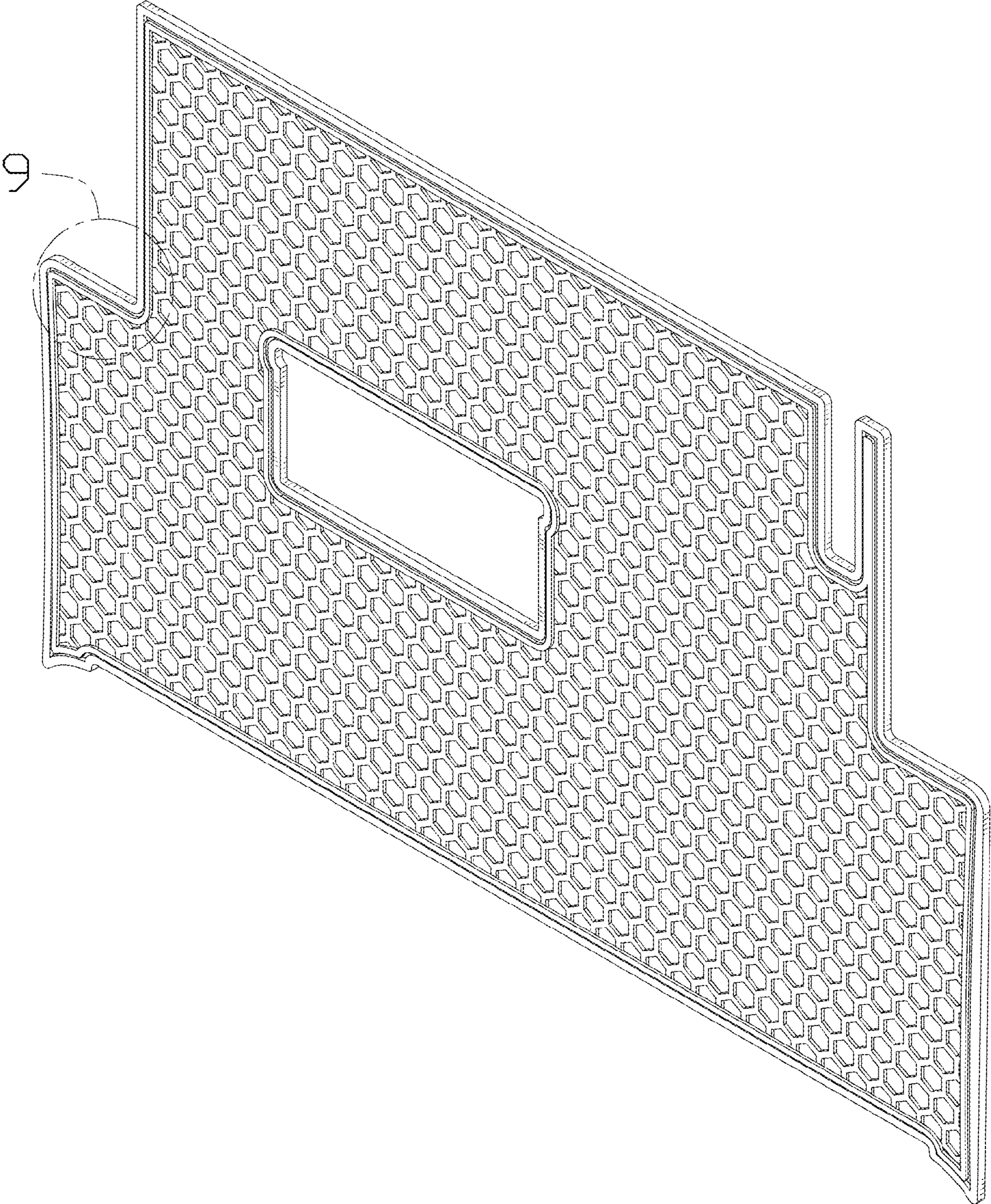


FIG. 1

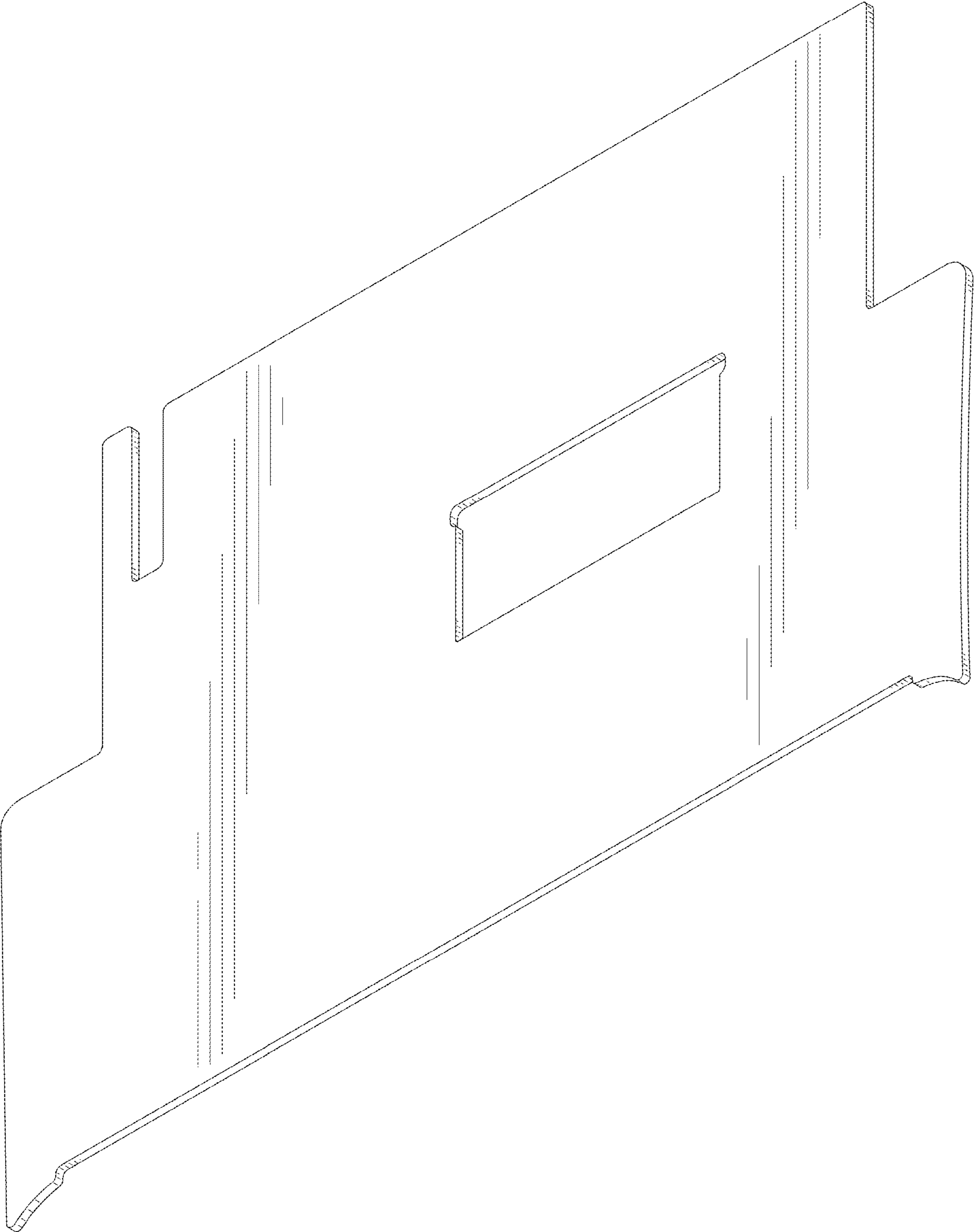


FIG. 2

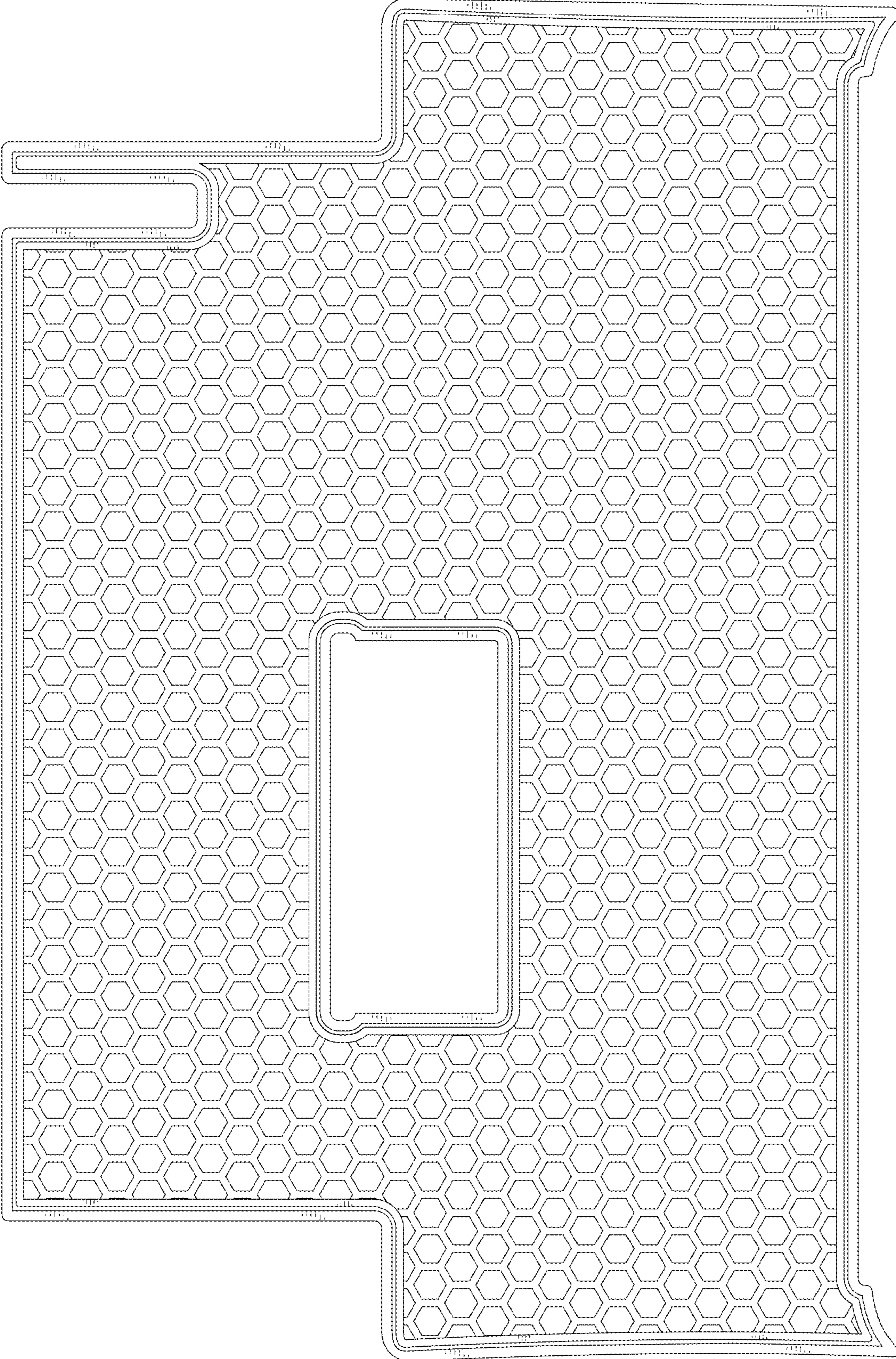


FIG. 3

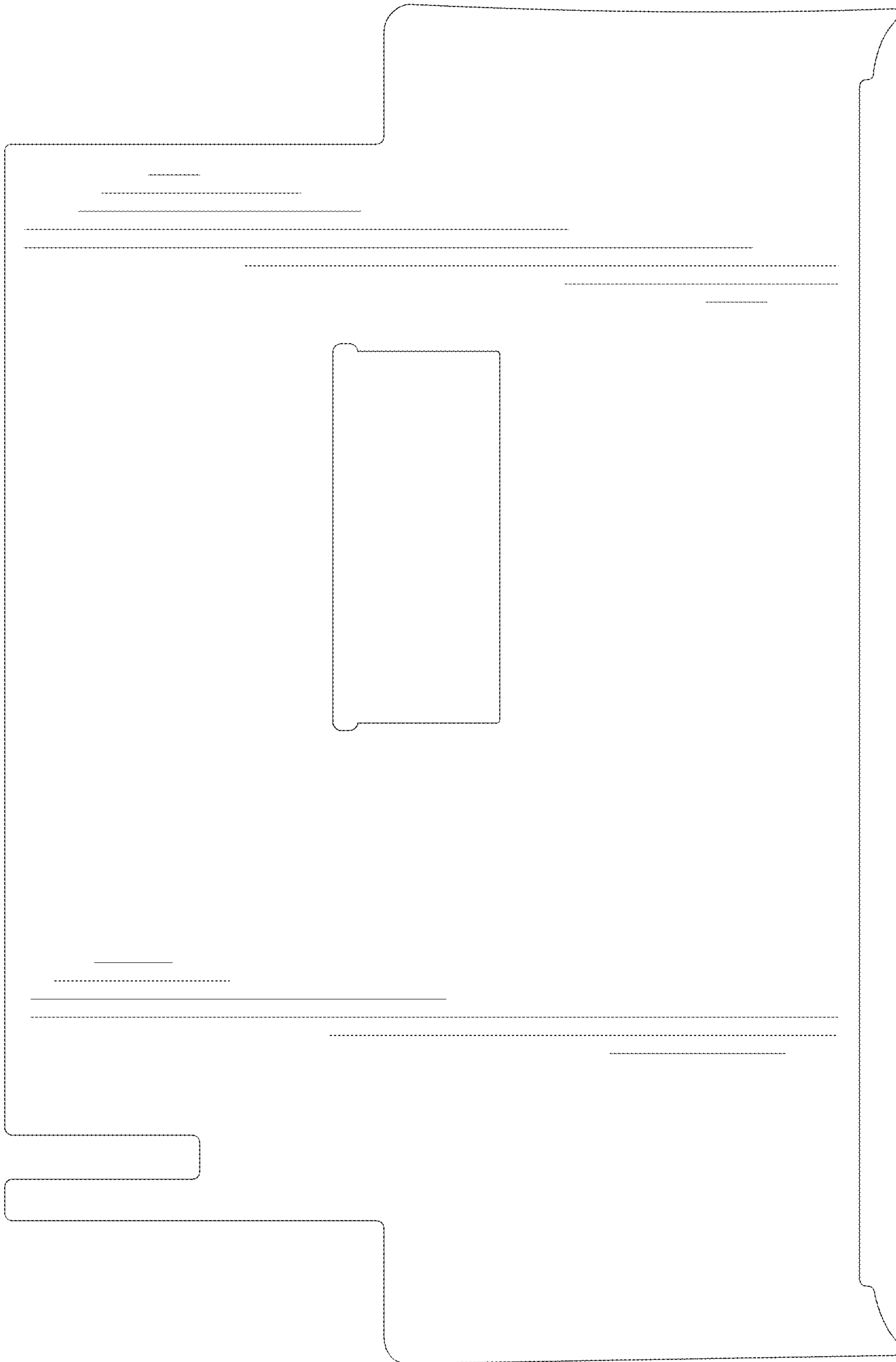


FIG. 4

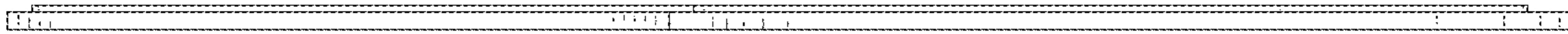


FIG. 5

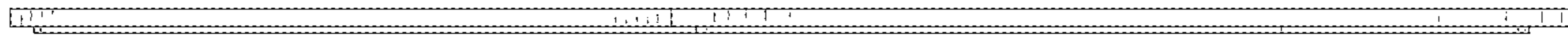


FIG. 6

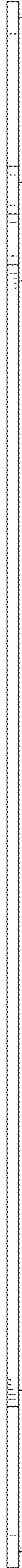


FIG. 7

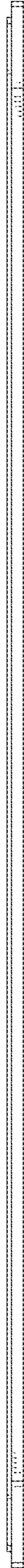


FIG. 8

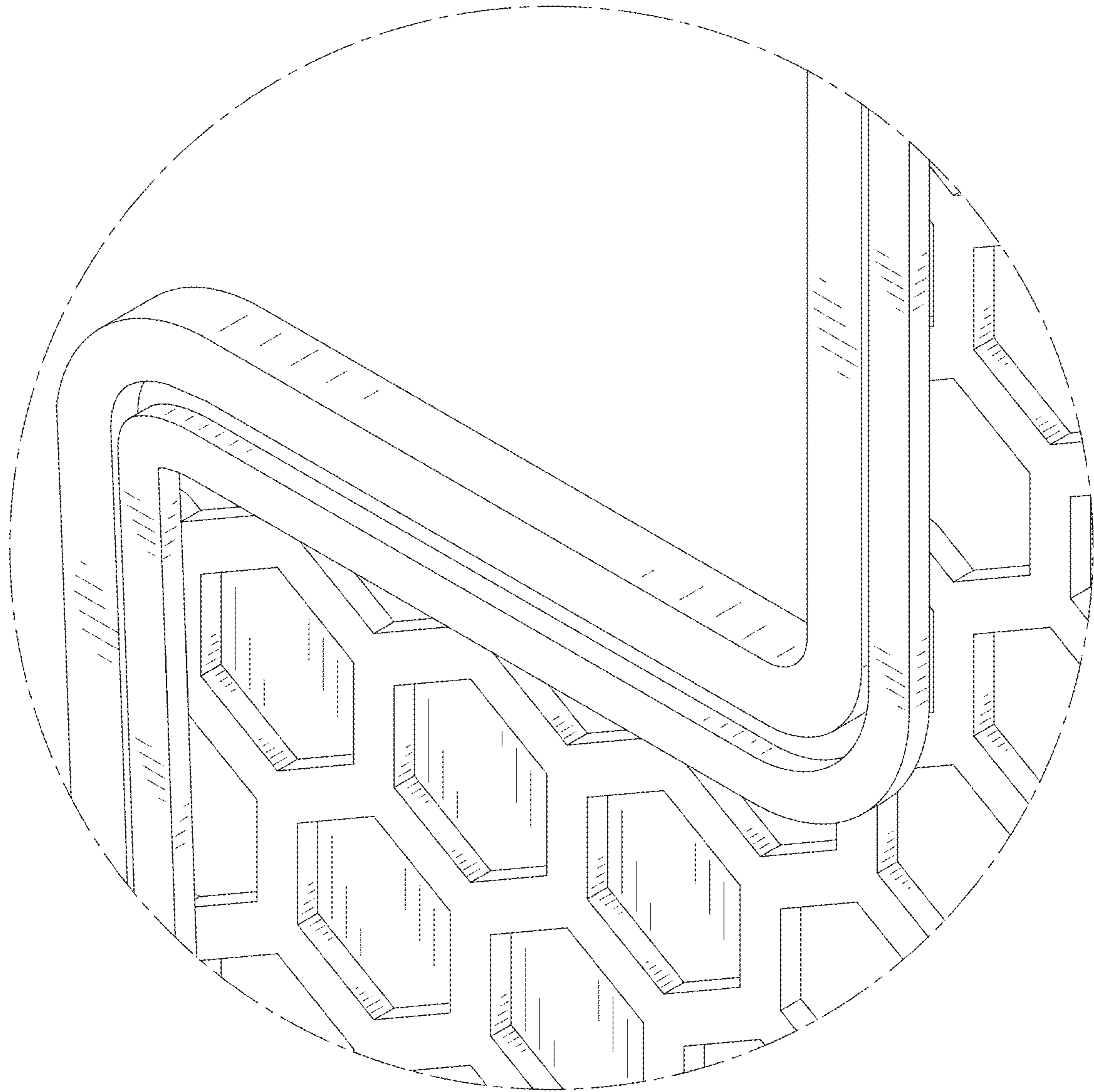


FIG. 9