



US00D985453S

(12) **United States Design Patent** (10) **Patent No.:** **US D985,453 S**  
**Schneider et al.** (45) **Date of Patent:** **\*\* May 9, 2023**

- (54) **INSTRUMENT PANEL**
- (71) Applicants: **Rivian IP Holdings, LLC**, Irvine, CA (US); **Amazon Technologies, Inc.**, Seattle, WA (US)
- (72) Inventors: **David Schneider**, Ann Arbor, MI (US); **Zulfiquar Ali**, Irvine, CA (US); **Nicholas Adam Malachowski**, Bloomfield Hills, MI (US); **John Sokol**, Sammamish, WA (US); **Ross Rachey**, Bellevue, WA (US); **Benjamin Hewitt**, Seattle, WA (US); **Christopher Gordon**, Bellevue, WA (US)
- (73) Assignees: **Rivian IP Holdings, LLC**, Plymouth, MI (US); **Amazon Technologies, Inc.**, Seattle, WA (US)
- (\*\*) Term: **15 Years**
- (21) Appl. No.: **29/838,065**
- (22) Filed: **May 10, 2022**

- D696,997 S 1/2014 Higashikawa
- D705,143 S 5/2014 Kawashima et al.
- D778,796 S 2/2017 Gommier et al.
- D786,758 S 5/2017 Chang et al.
- D795,146 S 8/2017 Ogawa et al.
- D837,118 S 1/2019 Takada et al.
- D847,054 S 4/2019 Yamada et al.

(Continued)

**OTHER PUBLICATIONS**

U.S. Appl. No. 29/838,063, filed May 10, 2022, David Schneider.

*Primary Examiner* — Susan E Krakower

*Assistant Examiner* — Jerry Shiuan-Hua Hsu

(74) *Attorney, Agent, or Firm* — Haley Guiliano LLP

(57) **CLAIM**

The ornamental design for an instrument panel, as shown and described.

**DESCRIPTION**

FIG. 1 is a front view of an instrument panel showing the claimed design;

FIG. 2 is a left-side view of the instrument panel;

FIG. 3 is a right-side view of the instrument panel;

FIG. 4 is a top view of the instrument panel;

FIG. 5 is a rear view of the instrument panel;

FIG. 6 is a front left corner perspective view of the instrument panel;

FIG. 7 is a front right corner perspective view of the instrument panel;

FIG. 8 is a rear left corner perspective view of the instrument panel; and,

FIG. 9 is a rear right corner perspective view of the instrument panel.

The broken lines depict portions of the instrument panel that form no part of the claimed design.

**1 Claim, 9 Drawing Sheets**

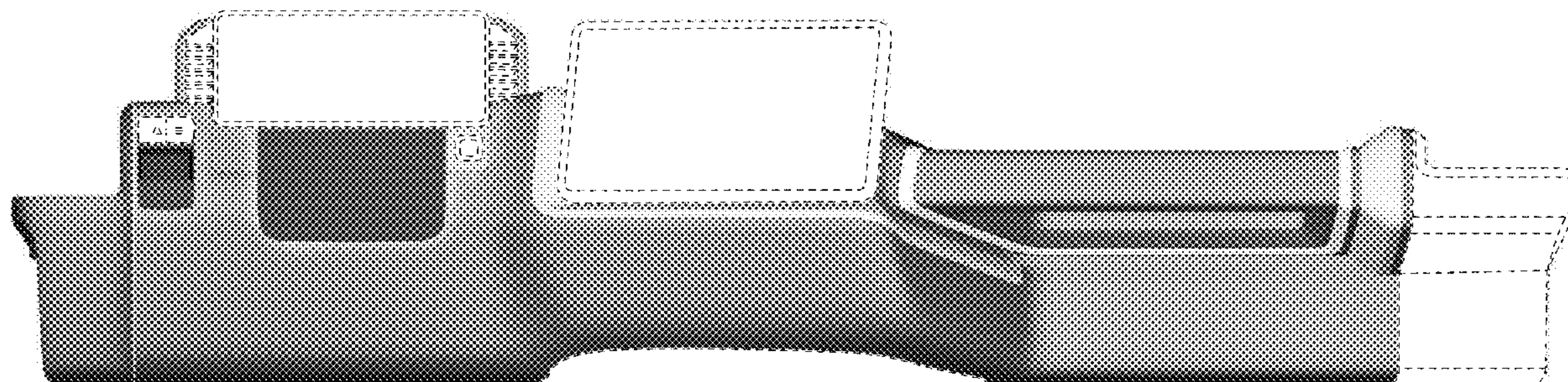
**Related U.S. Application Data**

- (63) Continuation of application No. 29/722,851, filed on Feb. 2, 2020, now Pat. No. Des. 953,229.
- (51) **LOC (14) Cl.** ..... **12-16**
- (52) **U.S. Cl.**  
USPC ..... **D12/192**
- (58) **Field of Classification Search**  
USPC ..... D12/191, 190, 192, 195, 345, 415–420,  
D12/400, 110, 114, 106, 96, 99;  
D14/157, 485, 489, 492, 488, 490;  
D15/17, 28  
See application file for complete search history.

(56) **References Cited**

**U.S. PATENT DOCUMENTS**

- D551,144 S 9/2007 Shinoda
- D621,761 S 8/2010 Wiedeman et al.



(56)

**References Cited**

U.S. PATENT DOCUMENTS

D847,057 S	4/2019	Kono et al.	
D853,919 S	7/2019	Hazumi et al.	
D860,892 S	9/2019	Ohmori et al.	
D884,569 S	5/2020	Roo-Clefas et al.	
D908,075 S *	1/2021	Park .....	D12/415
D908,569 S *	1/2021	Bernal .....	D12/192
D917,359 S *	4/2021	Mignot .....	D12/192
D929,283 S *	8/2021	Komatsu .....	D12/192
D936,547 S *	11/2021	Schlapp .....	D12/192
D940,619 S *	1/2022	Jimenez .....	D12/192
D942,342 S *	2/2022	Schneider .....	D12/192
D948,399 S *	4/2022	Noshiro .....	D12/192
D953,228 S *	5/2022	Schneider .....	D12/192
D953,229 S *	5/2022	Schneider .....	D12/192

\* cited by examiner



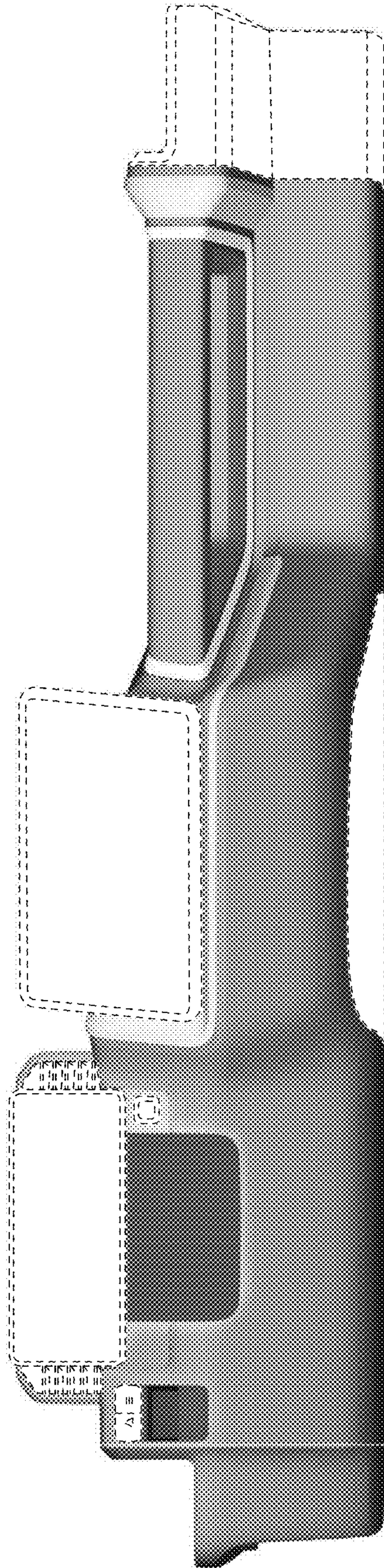


FIG. 1

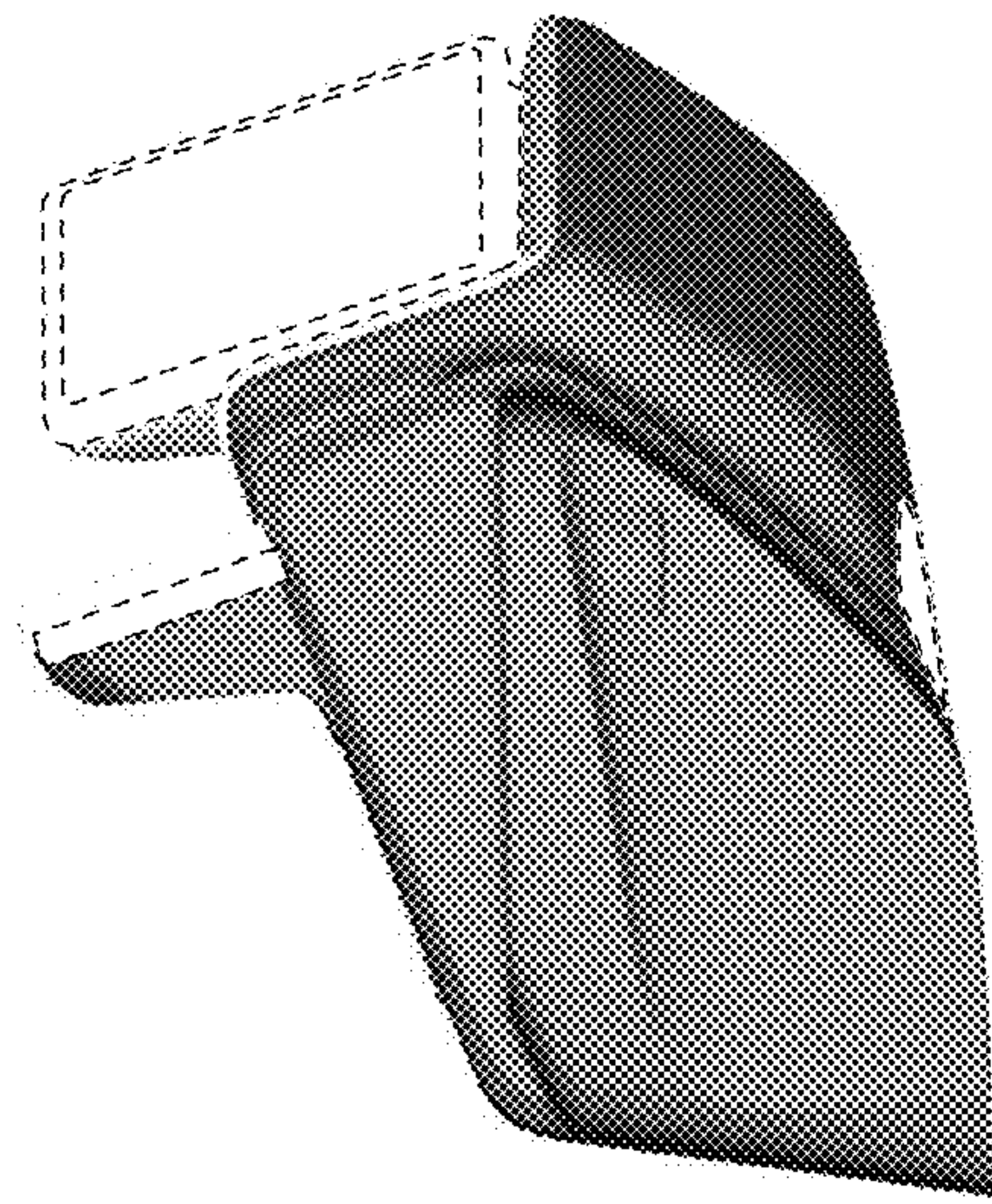


FIG. 2

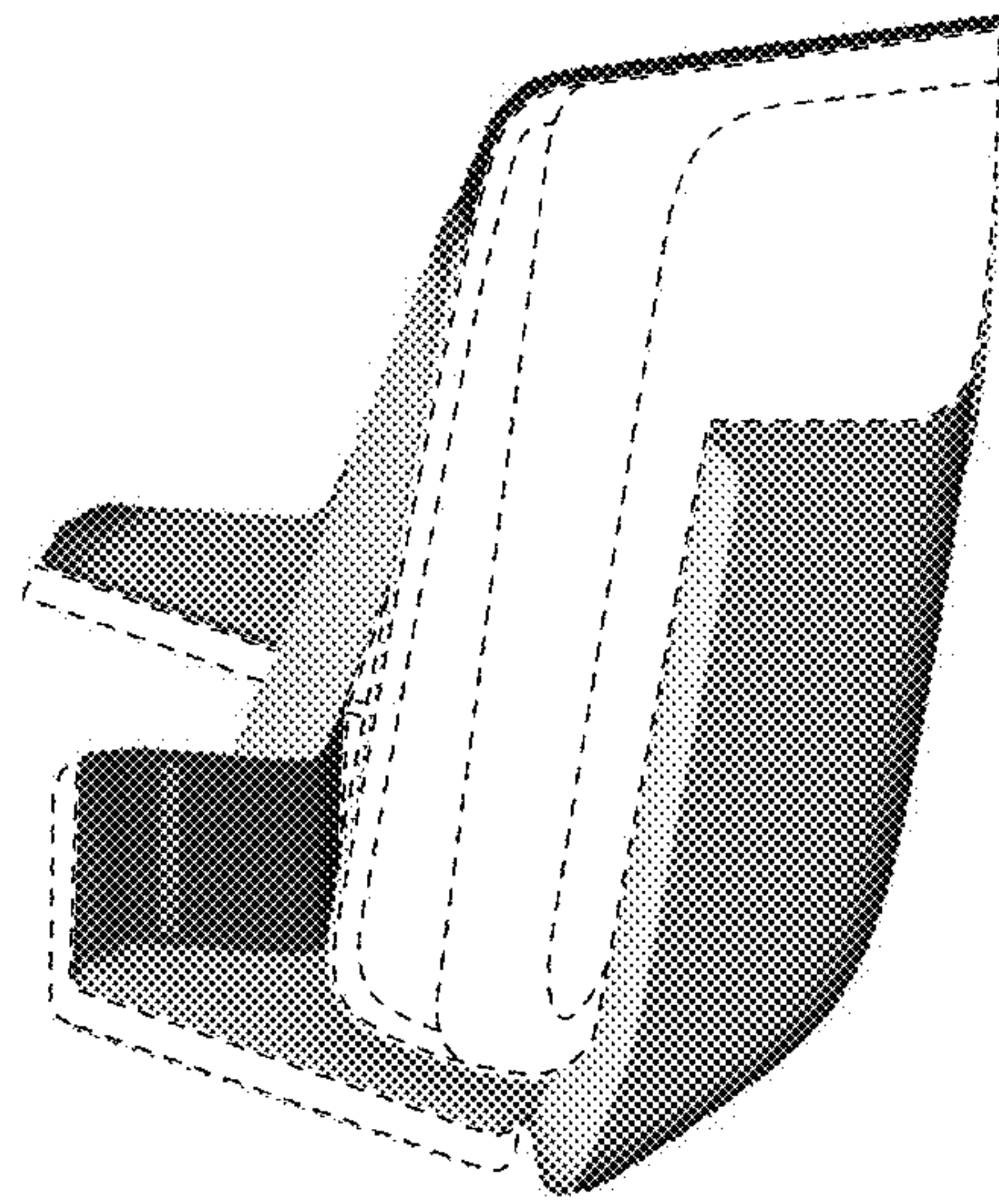


FIG. 3



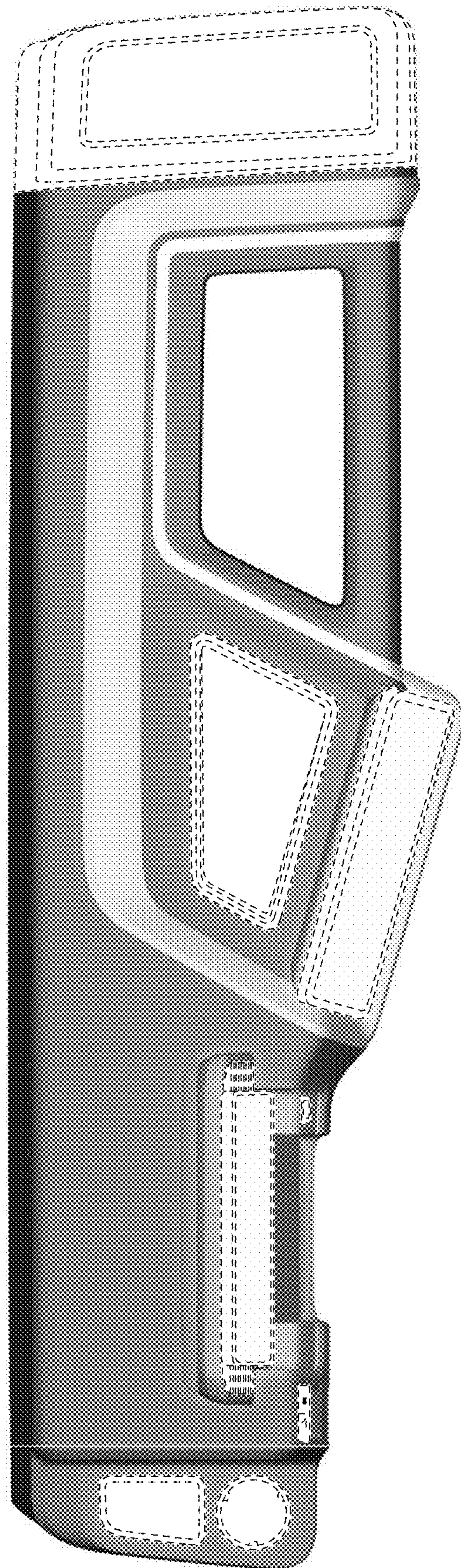


FIG. 4



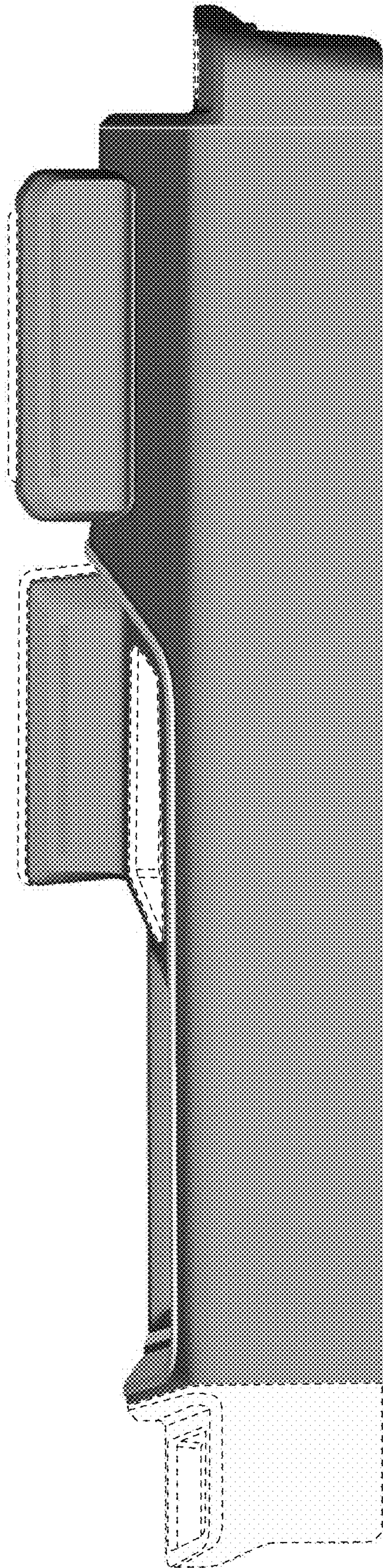


FIG. 5



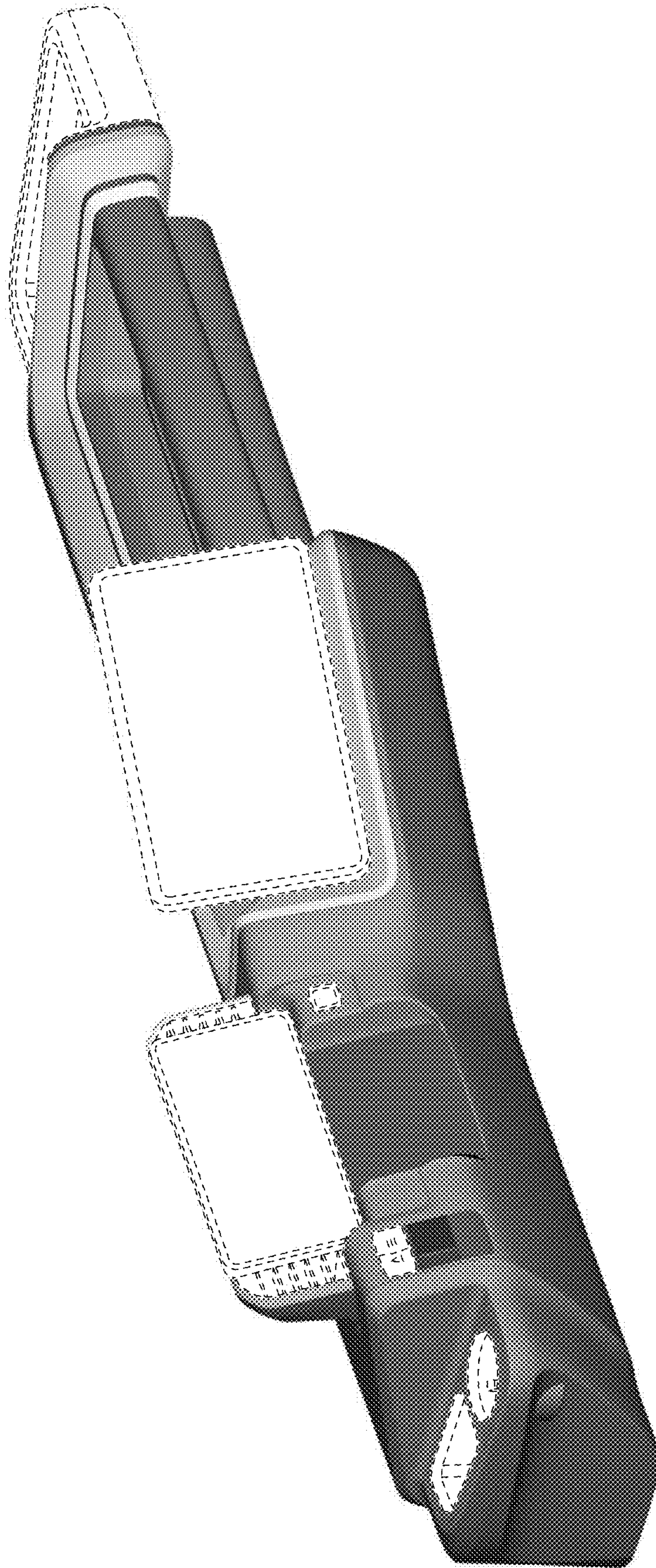


FIG. 6



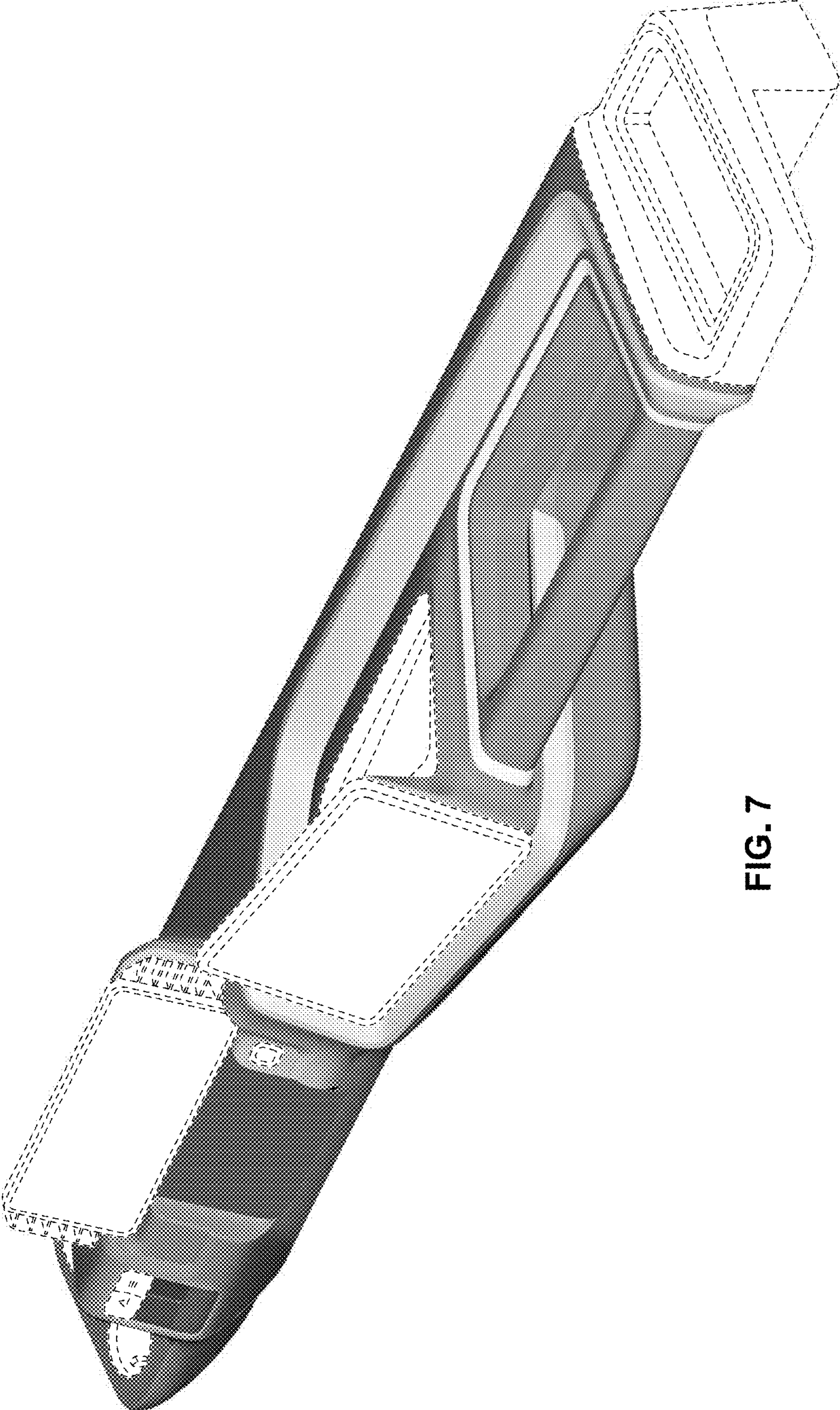


FIG. 7



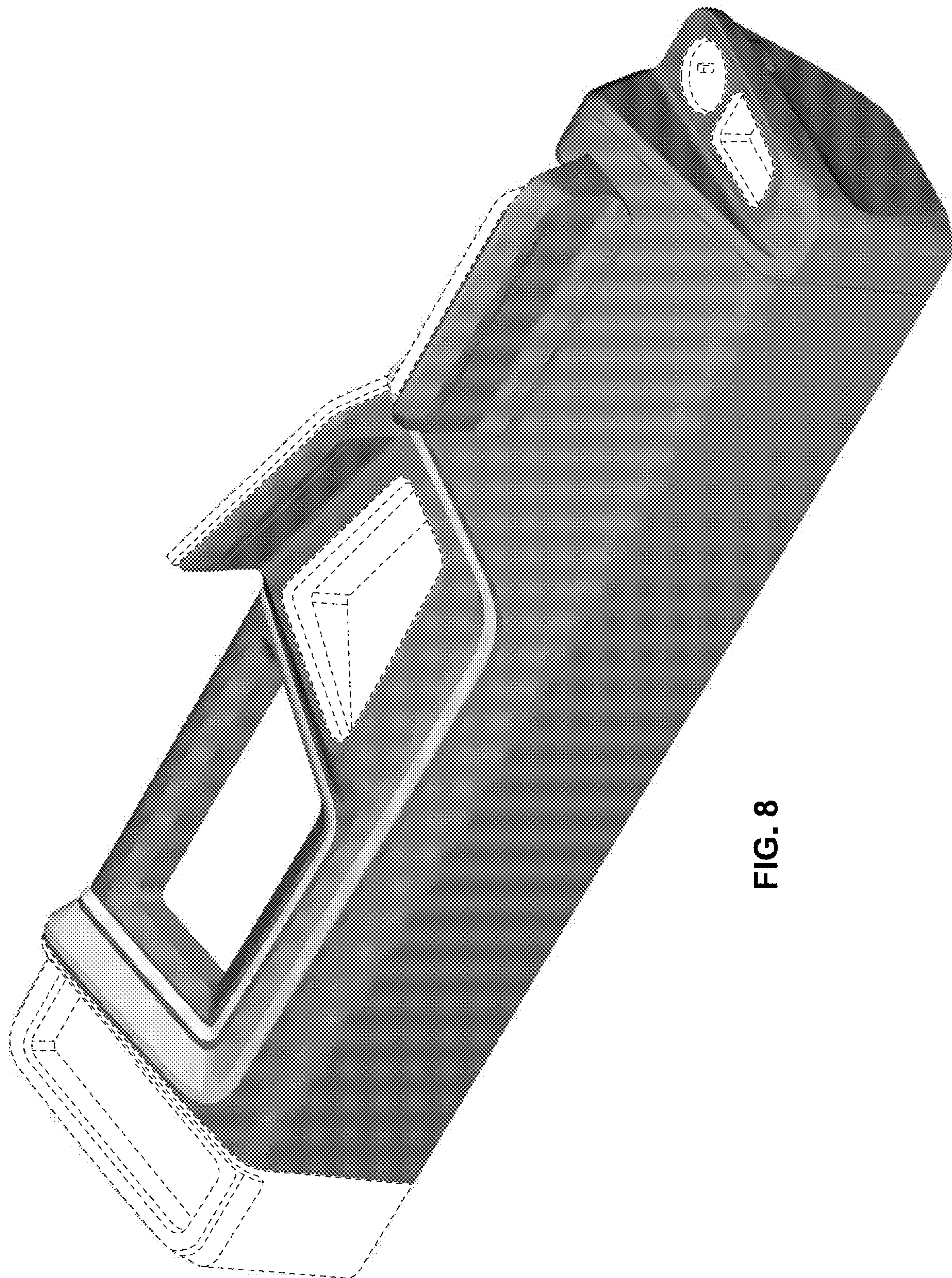


FIG. 8



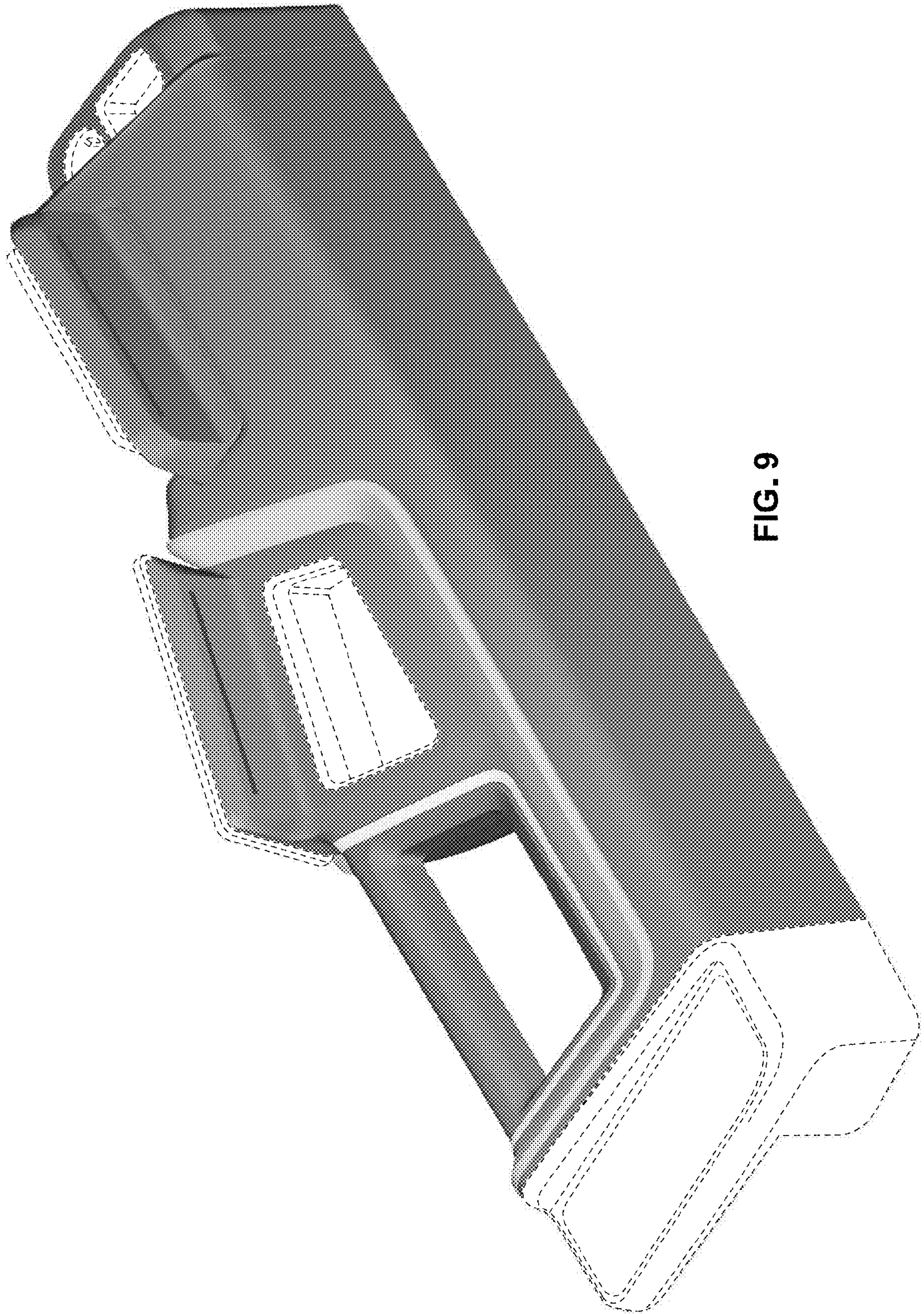


FIG. 9