



US00D985452S

(12) **United States Design Patent** (10) **Patent No.:** **US D985,452 S**
Schneider et al. (45) **Date of Patent:** **** May 9, 2023**

(54) **INSTRUMENT PANEL**

(56) **References Cited**

(71) Applicants: **Rivian IP Holdings, LLC**, Irvine, CA (US); **Amazon Technologies, Inc.**, Seattle, WA (US)

U.S. PATENT DOCUMENTS

(72) Inventors: **David Schneider**, Ann Arbor, MI (US); **Zulfiquar Ali**, Irvine, CA (US); **Nicholas Adam Malachowski**, Bloomfield Hills, MI (US); **John Sokol**, Sammamish, WA (US); **Ross Rachey**, Bellevue, WA (US); **Benjamin Hewitt**, Seattle, WA (US); **Christopher Gordon**, Bellevue, WA (US)

D551,144 S 9/2007 Shinoda
D621,761 S 8/2010 Wiedeman et al.
D696,997 S 1/2014 Higashikawa
D705,143 S 5/2014 Kawashima et al.
D778,796 S 2/2017 Gommier et al.
D786,758 S 5/2017 Chang et al.
D795,146 S 8/2017 Ogawa et al.
D837,118 S 1/2019 Takada et al.
D847,054 S 4/2019 Yamada et al.
D847,057 S 4/2019 Kono et al.
D853,919 S 7/2019 Hazumi et al.
D860,892 S 9/2019 Ohmori et al.

(Continued)

(73) Assignees: **Rivian IP Holdings, LLC**, Plymouth, MI (US); **Amazon Technologies, Inc.**, Seattle, WA (US)

Primary Examiner — Katrina A Betton

(74) *Attorney, Agent, or Firm* — Haley Guiliano LLP

(**) Term: **15 Years**

(57) **CLAIM**

(21) Appl. No.: **29/838,063**

The ornamental design for an instrument panel, as shown and described.

(22) Filed: **May 10, 2022**

DESCRIPTION

Related U.S. Application Data

(63) Continuation of application No. 29/722,850, filed on Feb. 2, 2020, now Pat. No. Des. 953,228.

(51) **LOC (14) Cl.** **12-16**

(52) **U.S. Cl.**
USPC **D12/192**

(58) **Field of Classification Search**
USPC D12/192, 415, 114, 345; D15/17, 28; D10/98, 102-103, 122-127
CPC B60H 1/34; B60H 1/3407; B60H 1/3414; B60H 1/3421; B60H 1/3428; B60H 1/3435; B60H 1/3442; B60H 1/345; B60H 1/3457; B60H 2001/3464; B60H 2001/3471; B60H 2001/3478; B60H 2001/3485

FIG. 1 is a front view of an instrument panel showing the claimed design;

FIG. 2 is a left-side view of the instrument panel;

FIG. 3 is a right-side view of the instrument panel;

FIG. 4 is a top view of the instrument panel;

FIG. 5 is a rear view of the instrument panel;

FIG. 6 is a front left corner perspective view of the instrument panel;

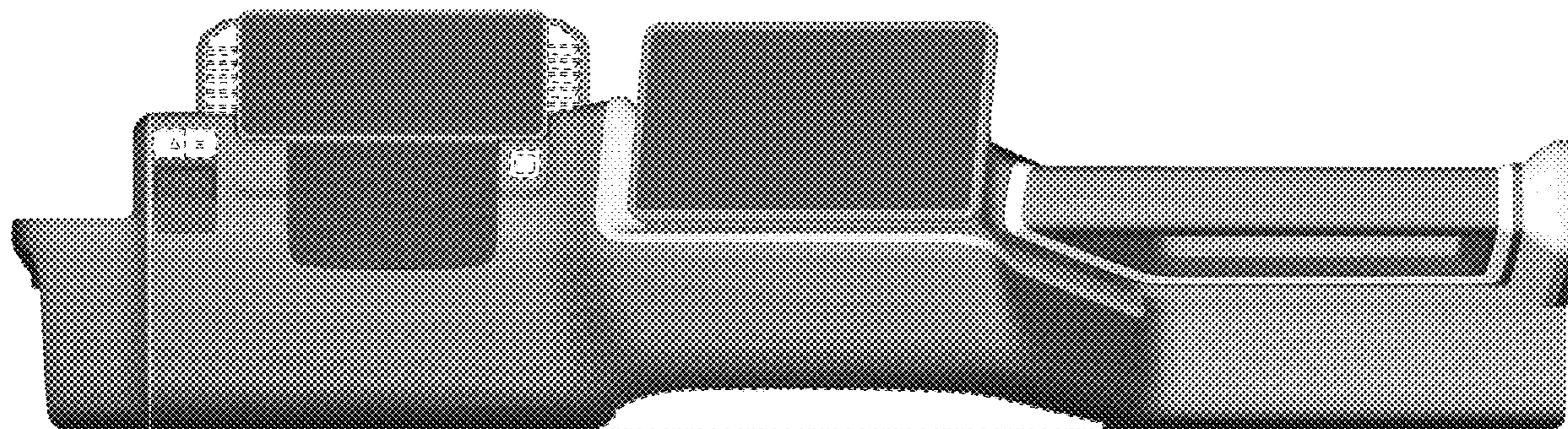
FIG. 7 is a front right corner perspective view of the instrument panel;

FIG. 8 is a rear left corner perspective view of the instrument panel; and,

FIG. 9 is a rear right corner perspective view of the instrument panel.

The broken lines depict portions of the instrument panel that form no part of the claimed design.

1 Claim, 9 Drawing Sheets



(56)

References Cited

U.S. PATENT DOCUMENTS

D884,569 S	5/2020	Roo-Clefas et al.	
D908,075 S	1/2021	Park et al.	
D908,569 S	1/2021	Bernal et al.	
D917,359 S	4/2021	Mignot et al.	
D929,283 S	8/2021	Komatsu et al.	
D932,404 S	* 10/2021	Owaku	D12/192
D936,547 S	11/2021	Schlapp et al.	
D939,414 S	* 12/2021	Aizawa	D12/192
D940,619 S	* 1/2022	Jimenez	D12/192
D942,342 S	2/2022	Schneider et al.	
D947,090 S	* 3/2022	Chergosky	D12/192
D948,399 S	* 4/2022	Noshiro	D12/192
D953,228 S	* 5/2022	Schneider	D12/192
D953,229 S	* 5/2022	Schneider	D12/192
D960,797 S	* 8/2022	Finney	D12/192
D963,541 S	* 9/2022	Matsuo	D12/192
D965,494 S	* 10/2022	Nakamura	D12/192
D968,292 S	* 11/2022	Benjamin	D12/192
D969,045 S	* 11/2022	Okabe	D12/192
D969,046 S	* 11/2022	Hu	D12/192

* cited by examiner

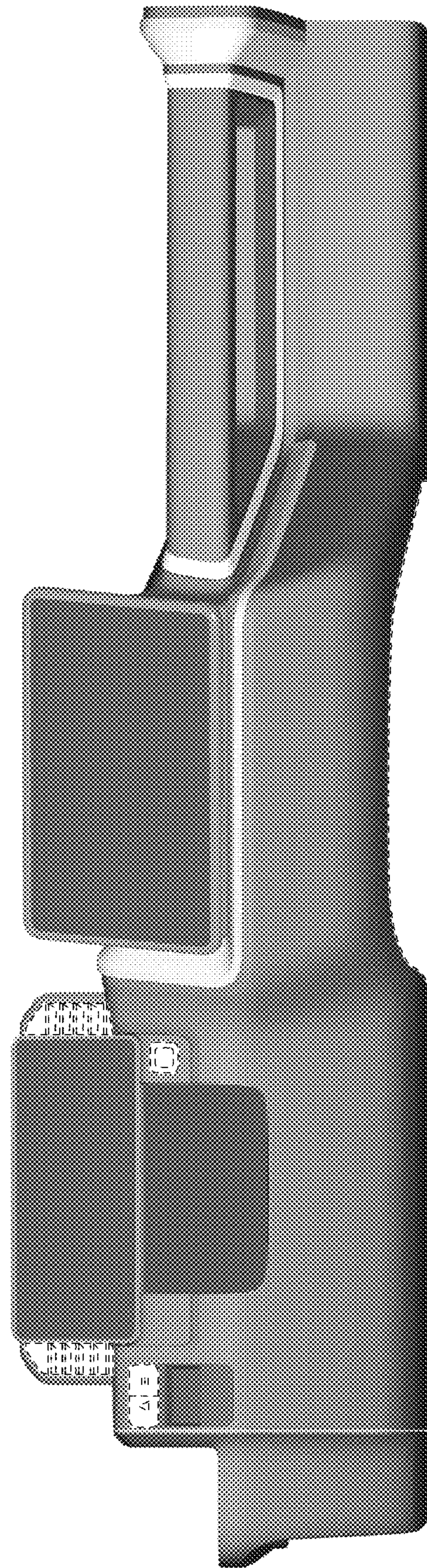


FIG. 1

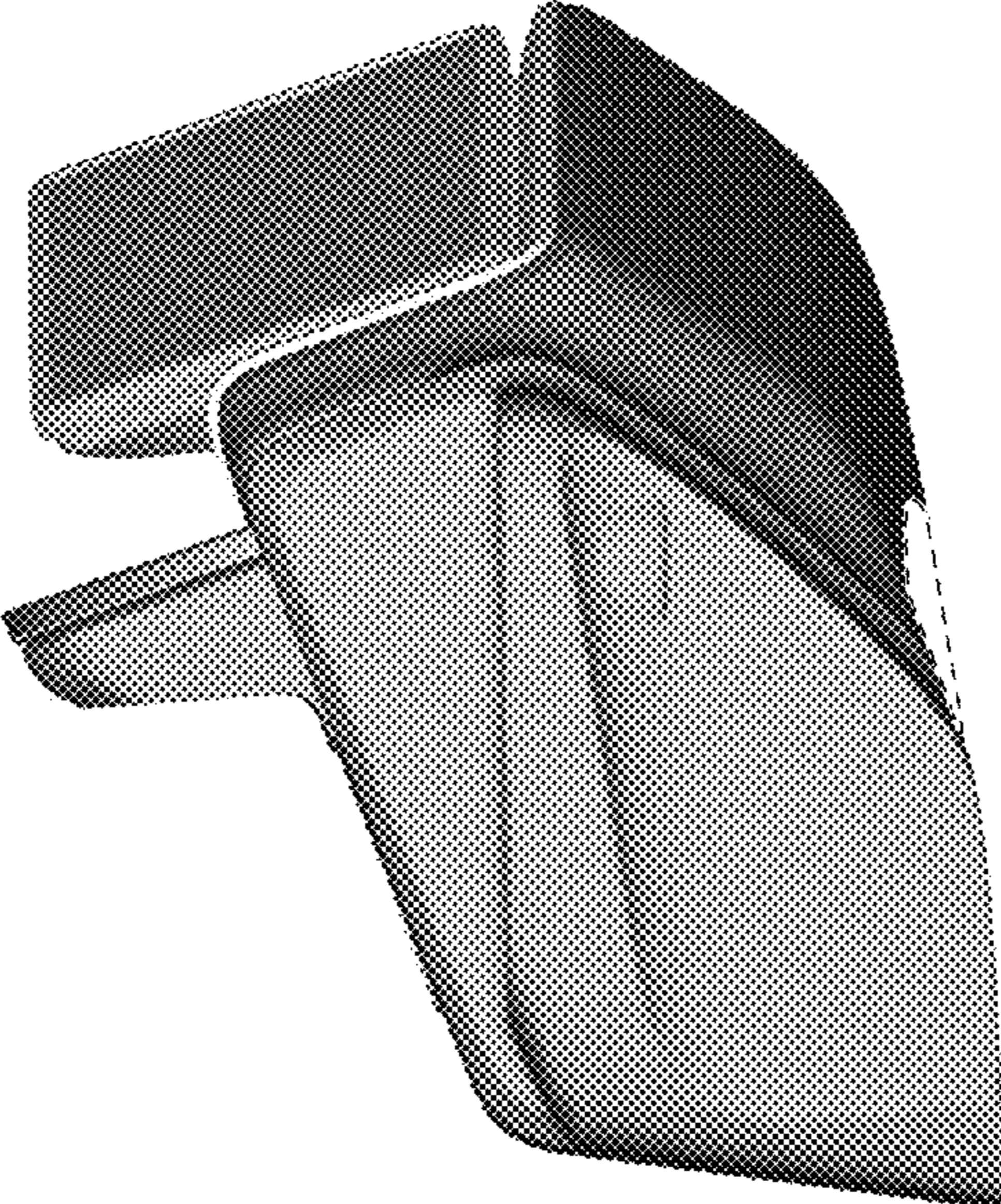


FIG. 2

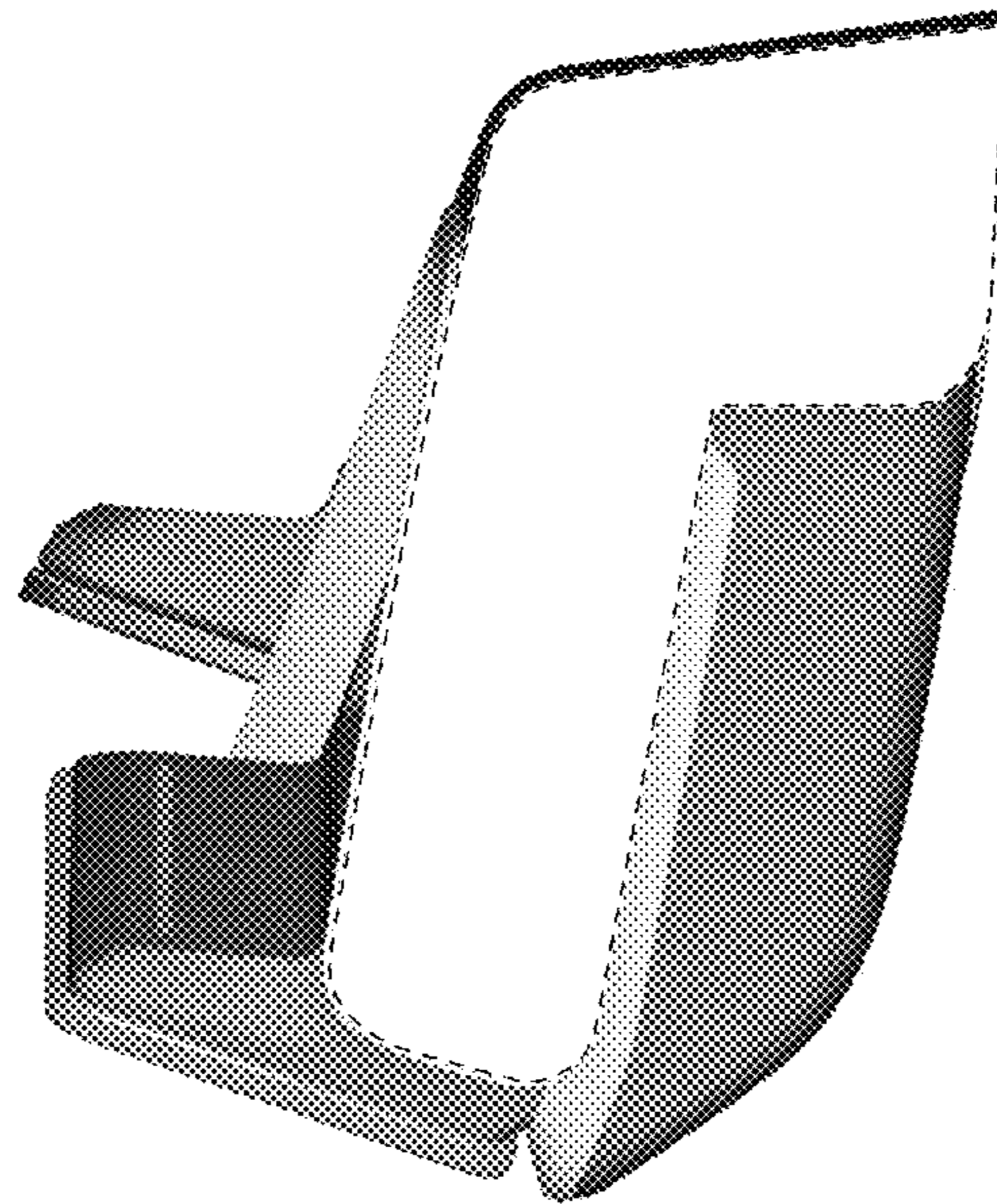


FIG. 3

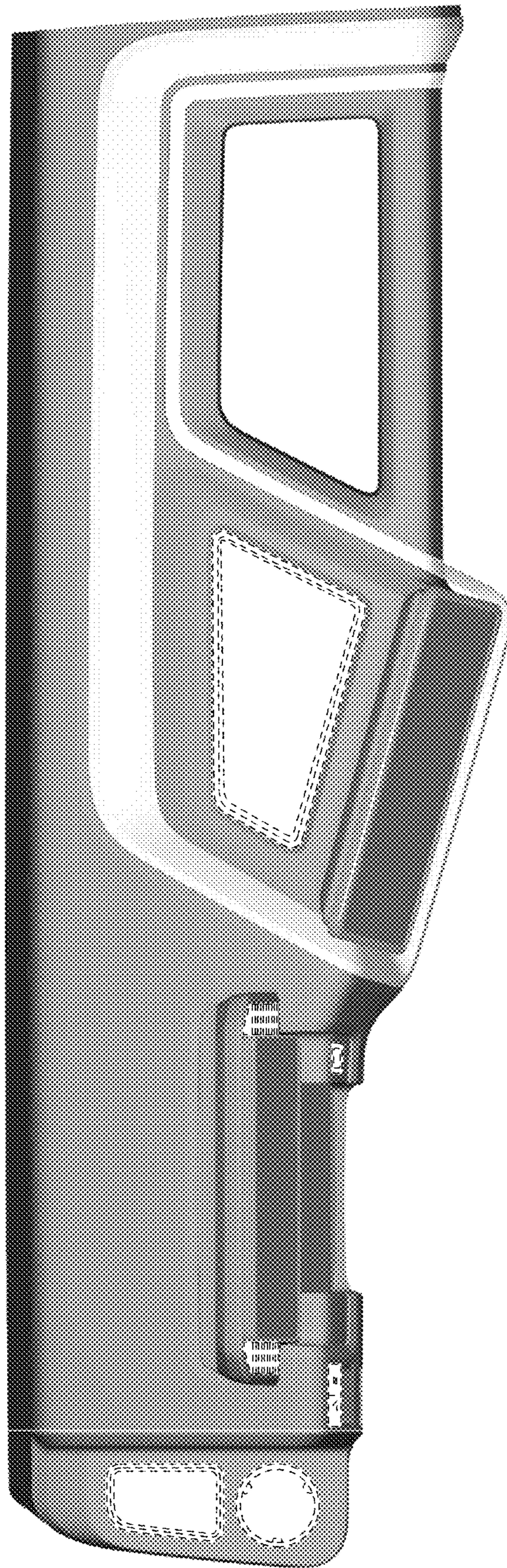


FIG. 4

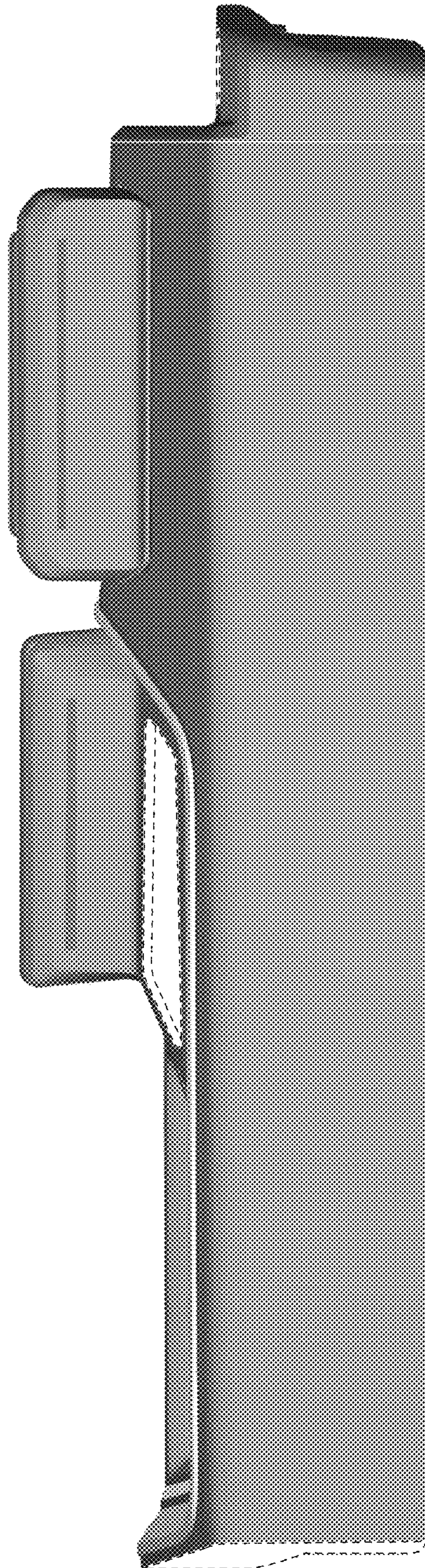


FIG. 5

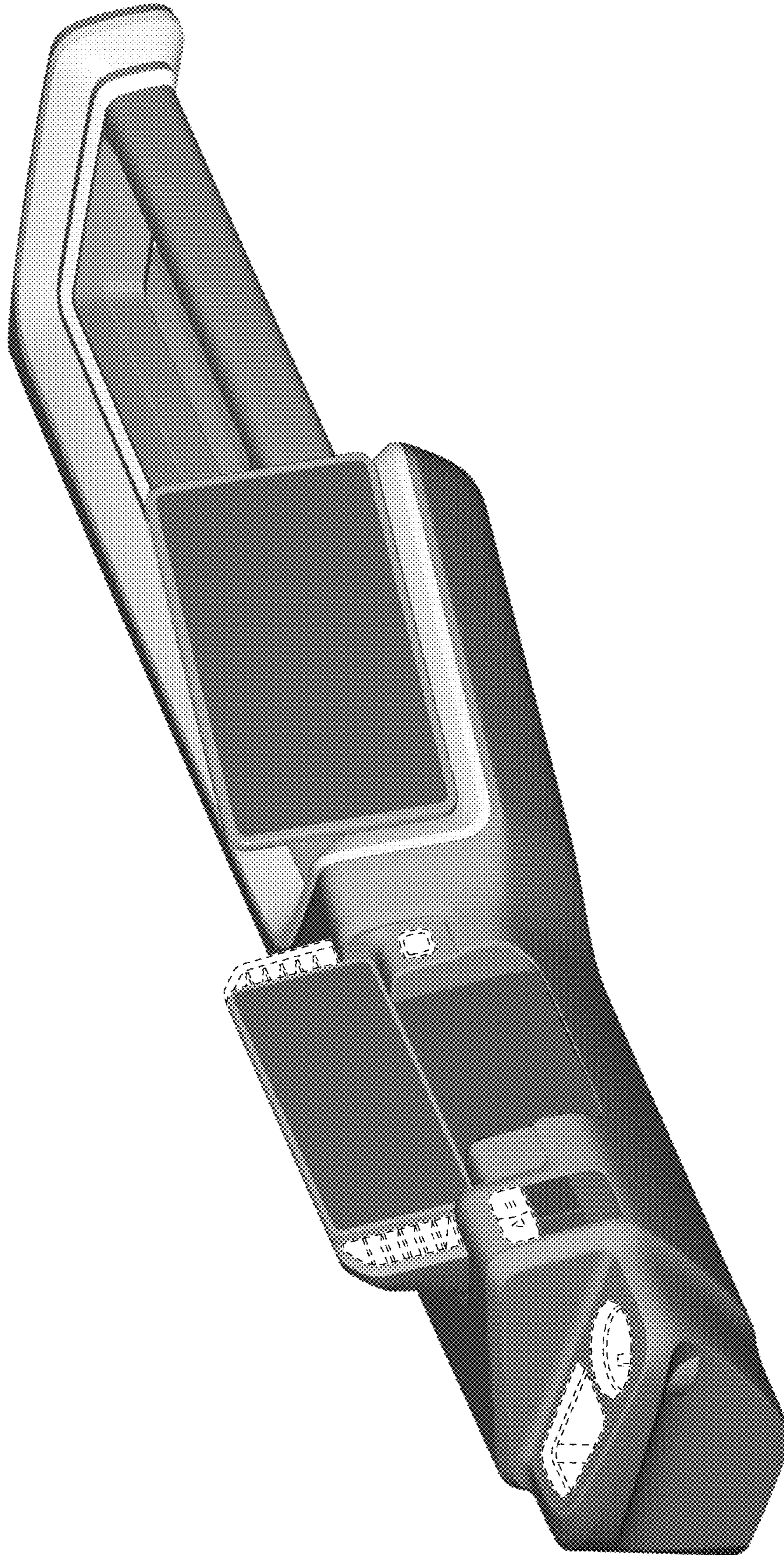


FIG. 6

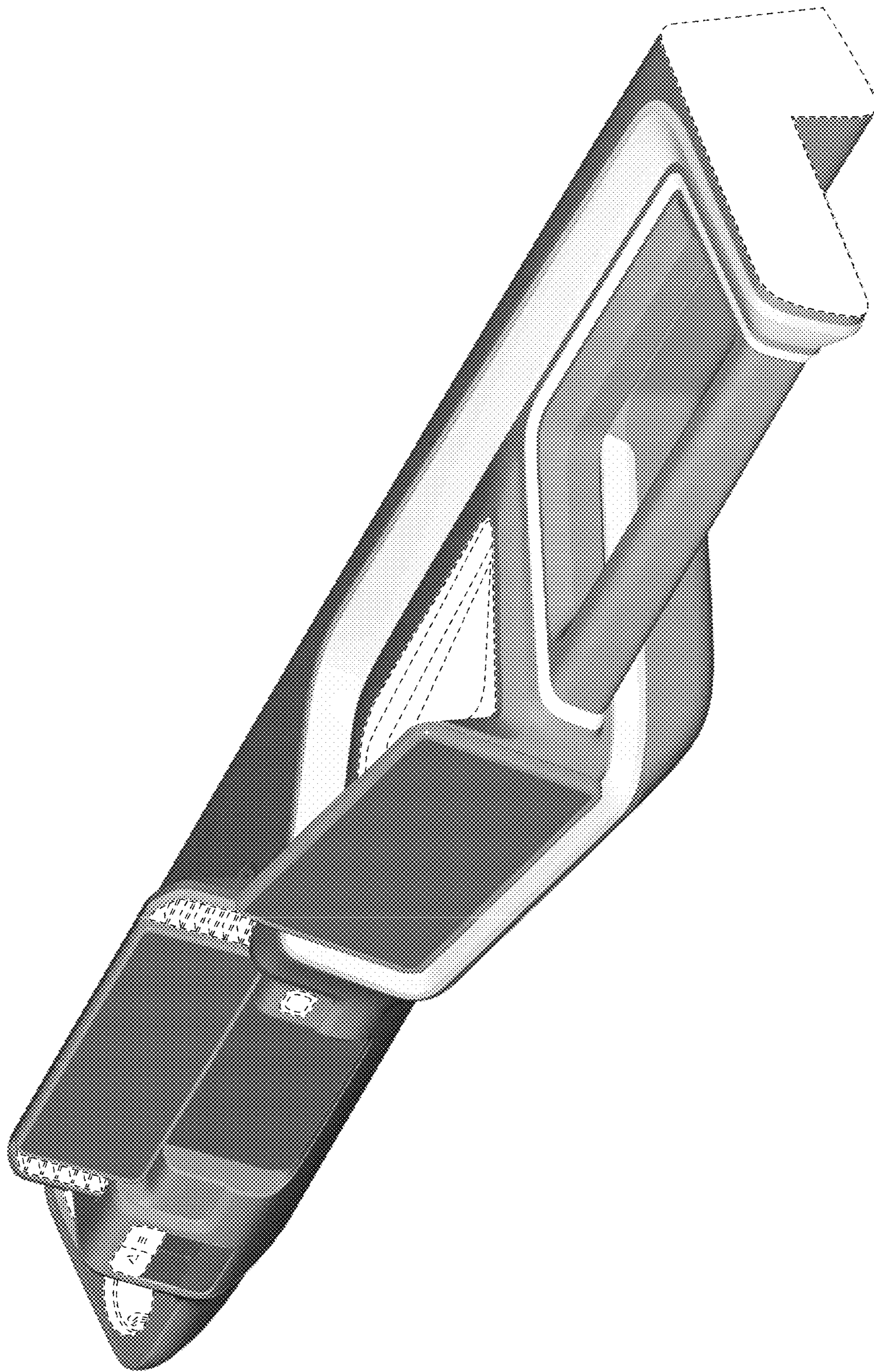


FIG. 7

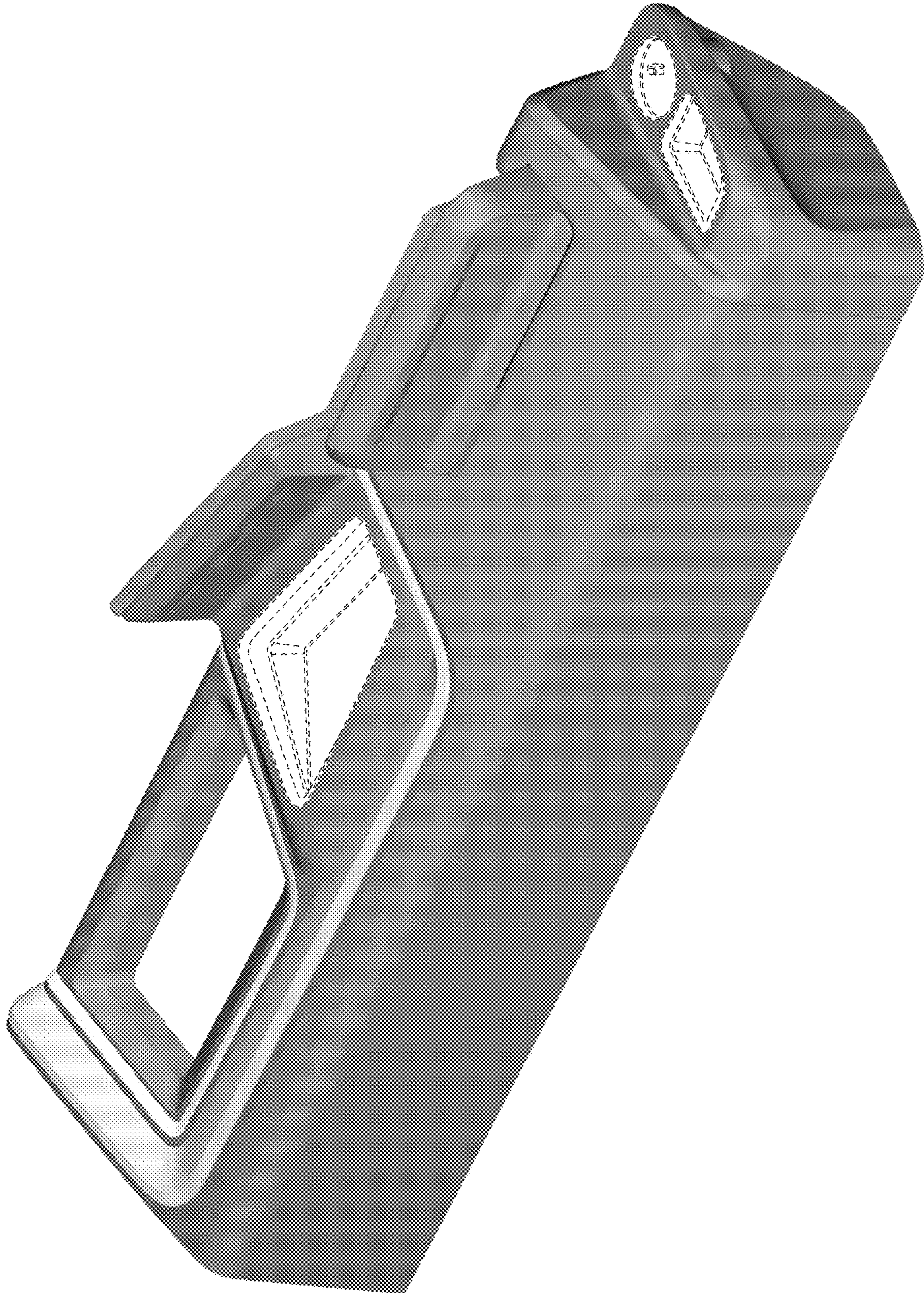


FIG. 8

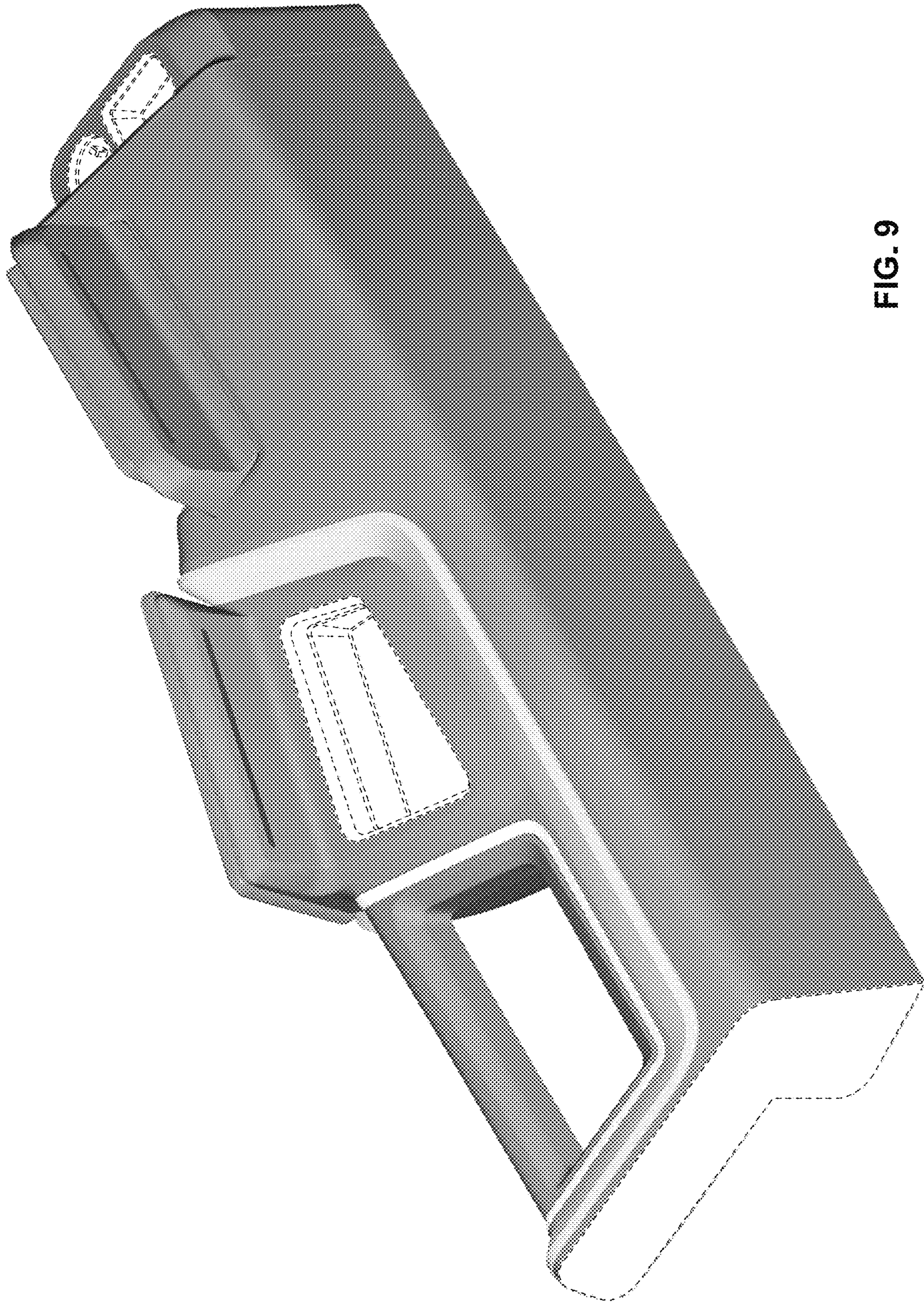


FIG. 9