



US00D985451S

(12) **United States Design Patent** (10) **Patent No.:** **US D985,451 S**  
**Burki** (45) **Date of Patent:** **\*\* May 9, 2023**

(54) **BODY PART FOR MOTOR VEHICLE**

(71) Applicant: **Dr. Ing. h.c. F. Porsche**  
**Aktiengesellschaft, Stuttgart (DE)**

(72) Inventor: **Emiel Burki, Stuttgart (DE)**

(73) Assignee: **Dr. Ing. h.c. F. Porsche**  
**Aktiengesellschaft**

(\*\*) Term: **15 Years**

(21) Appl. No.: **29/803,724**

(22) Filed: **Aug. 16, 2021**

(30) **Foreign Application Priority Data**

Feb. 17, 2021 (EM) ..... 8436406-0013  
Feb. 17, 2021 (EM) ..... 8436406-0014

(51) **LOC (14) Cl.** ..... **12-08**

(52) **U.S. Cl.**  
USPC ..... **D12/190**

(58) **Field of Classification Search**  
USPC ..... D12/82, 86, 91, 92, 93, 163, 172, 177,  
D12/181, 184, 190, 196, 199, 213, 218,  
D12/223, 400, 401, 404; D15/5;  
D21/548, 561  
CPC ..... B60R 13/00; B60R 13/04; B60R 13/043;  
B60R 13/0838; B60R 13/0869; B60R  
2011/004; B60R 2019/002; B62D 25/025;  
B62D 25/08; B62D 25/12; B62D 25/16;  
B62D 25/168; B62D 33/00; B62D 35/00;  
B62D 35/007; B62D 35/008; B62D 39/00  
See application file for complete search history.

(56) **References Cited**

**U.S. PATENT DOCUMENTS**

D399,465 S \* 10/1998 Saleen ..... D12/190  
D413,561 S \* 9/1999 Kulla ..... D12/167

D418,100 S \* 12/1999 Sacco ..... D12/196  
D418,468 S \* 1/2000 Saleen ..... D12/203  
D447,990 S \* 9/2001 Yokomaku ..... D12/190  
D464,596 S \* 10/2002 Yokomaku ..... D12/190  
D472,861 S \* 4/2003 Saleen ..... D12/196

(Continued)

**OTHER PUBLICATIONS**

2022 Porsche Taycan Cross Turismo, Feb. 5, 2023, Youtube [online],  
[Site Visit Feb. 15, 2023], URL: [https://www.youtube.com/watch?v=QHI-cia\\_Ptk](https://www.youtube.com/watch?v=QHI-cia_Ptk) (Year: 2023) (Year: 2023).\*

(Continued)

*Primary Examiner* — Calvin E Vansant  
*Assistant Examiner* — Giang Hoang Tran

(74) *Attorney, Agent, or Firm* — RatnerPrestia

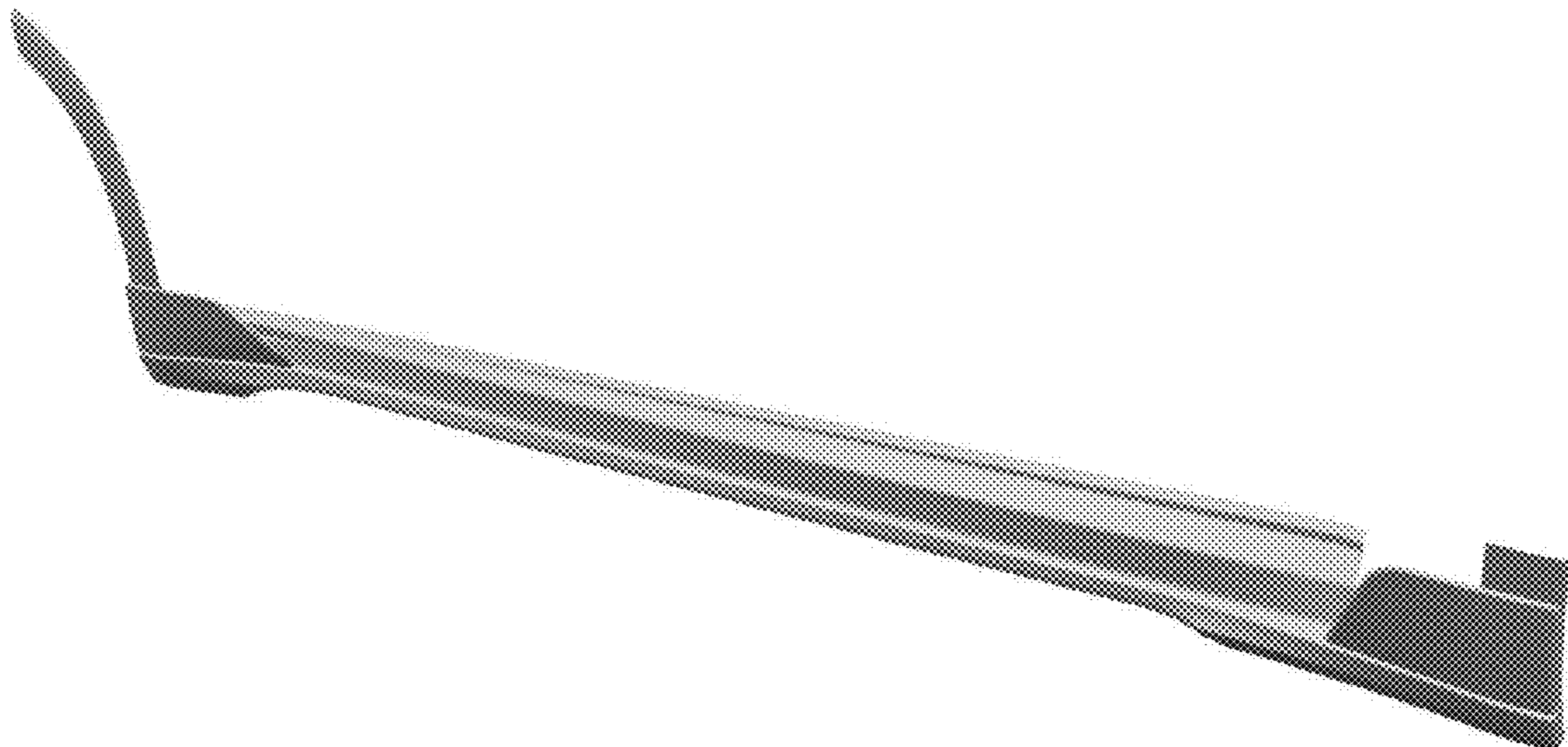
(57) **CLAIM**

The ornamental design for a body part for motor vehicle, as shown and described.

**DESCRIPTION**

FIG. 1 is a perspective view of a body part for motor vehicle according to a first embodiment showing my new design; FIG. 2 is a front view thereof; FIG. 3 is a rear view thereof; FIG. 4 is a right view thereof; FIG. 5 is a left view thereof; FIG. 6 is a top view thereof; and FIG. 7 is a bottom view thereof. FIG. 8 is a perspective view of a body part for motor vehicle according to a second embodiment showing my new design; FIG. 9 is a front view thereof; FIG. 10 is a rear view thereof; FIG. 11 is a right view thereof; FIG. 12 is a left view thereof; FIG. 13 is a top view thereof; and, FIG. 14 is a bottom view thereof.

**1 Claim, 14 Drawing Sheets**



(56)

**References Cited**

U.S. PATENT DOCUMENTS

D539,200 S *	3/2007	Chan .....	D12/190
D599,264 S *	9/2009	Akasawa .....	D12/181
D606,472 S *	12/2009	Penders .....	D12/190
D607,391 S *	1/2010	Krauss .....	D12/190
D623,104 S *	9/2010	Akasawa .....	D12/190
D709,419 S *	7/2014	Watkins .....	D12/196
D788,665 S *	6/2017	Buck .....	D12/190
D811,301 S *	2/2018	Peat .....	D12/190
D847,711 S *	5/2019	Leong .....	D12/190
D878,265 S *	3/2020	Bentzen .....	D12/190
D890,667 S *	7/2020	Feng .....	D12/196
D956,647 S *	7/2022	Burki .....	D12/196

OTHER PUBLICATIONS

Porsche Taycan 4S Cross Turismo, 2023, Porsche Website [online], [Site Visit Feb. 15, 2023], URL: <https://www.porsche.com/USA/models/taycan/taycan-models/taycan-4s-cross-turismo/> (Year: 2023) (Year: 2023).\*

Porsche Taycan Cross Turismo, Oct. 2, 2022, Youtube [online], [Site Visit Feb. 15, 2023], URL: <https://www.youtube.com/watch?v=AU2xUwCzSok> (Year: 2022) (Year: 2022).\*

\* cited by examiner

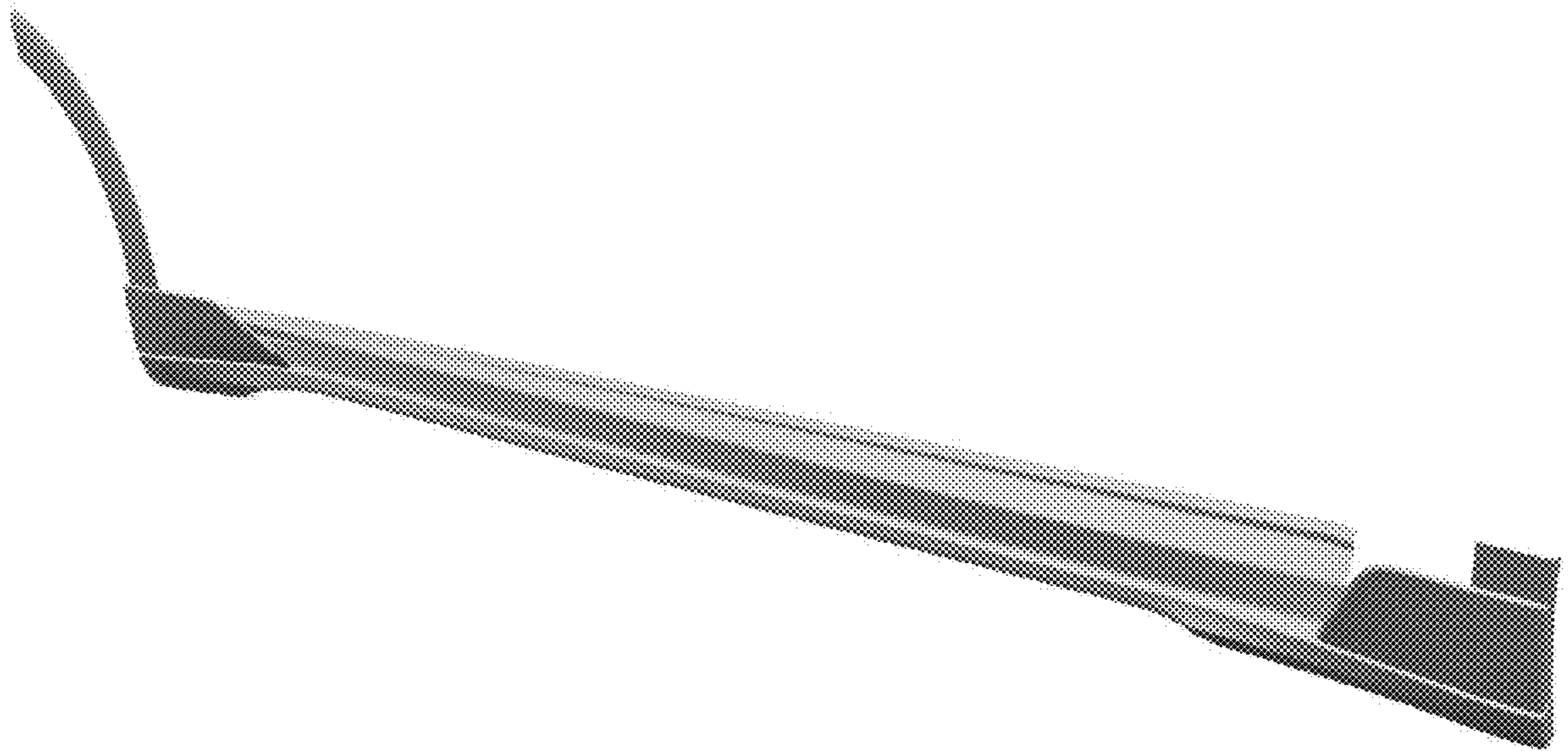


FIG. 1

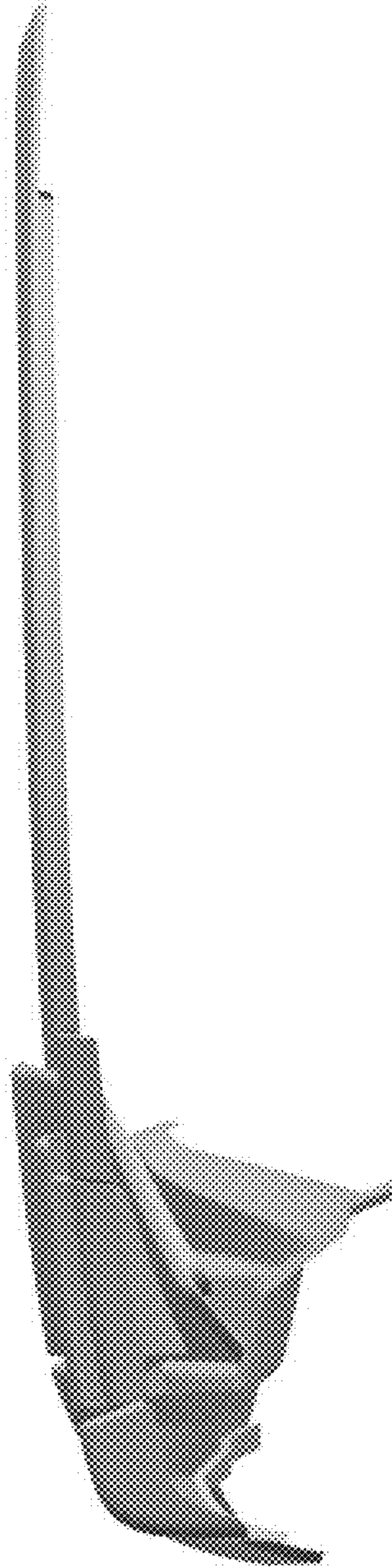


FIG. 2

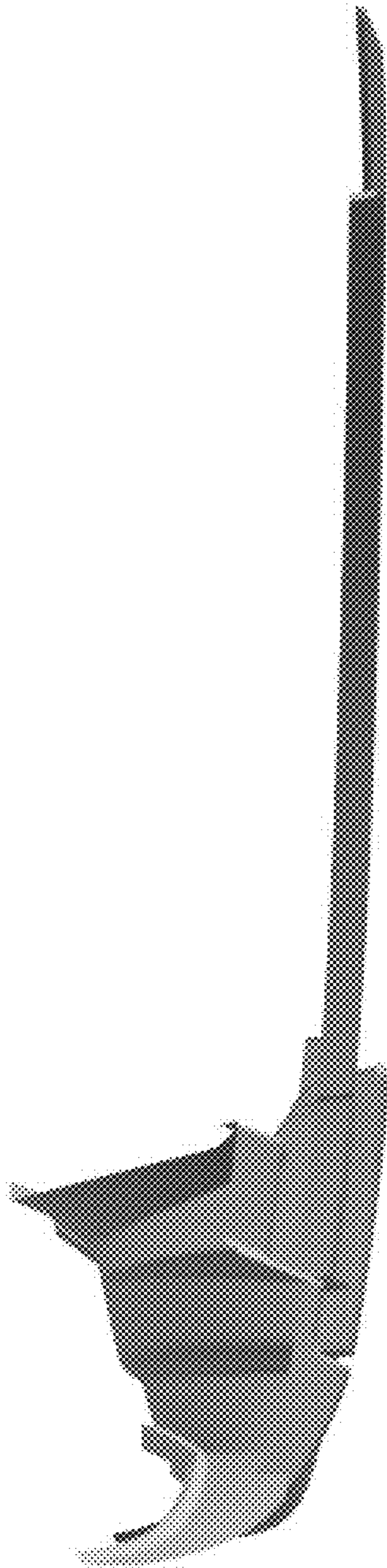


FIG. 3

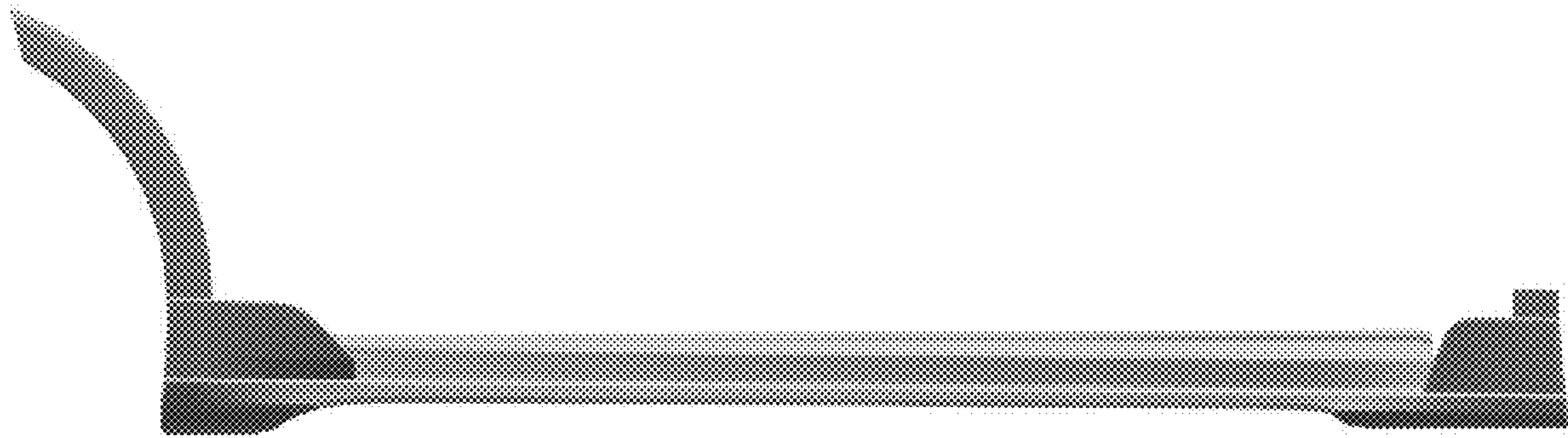


FIG. 4

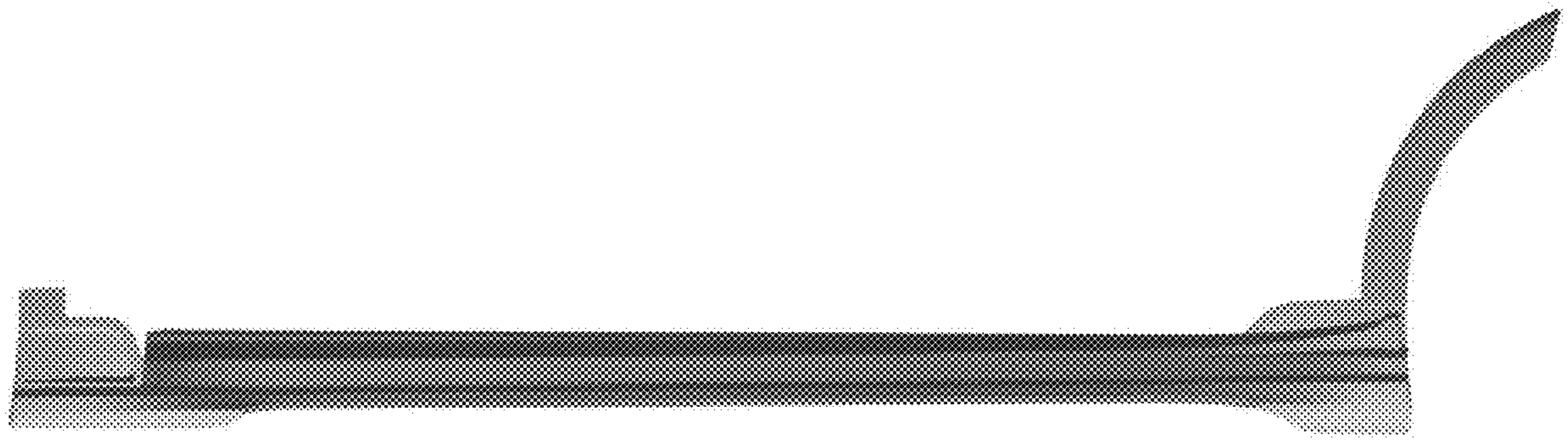


FIG. 5



FIG. 6





FIG. 7

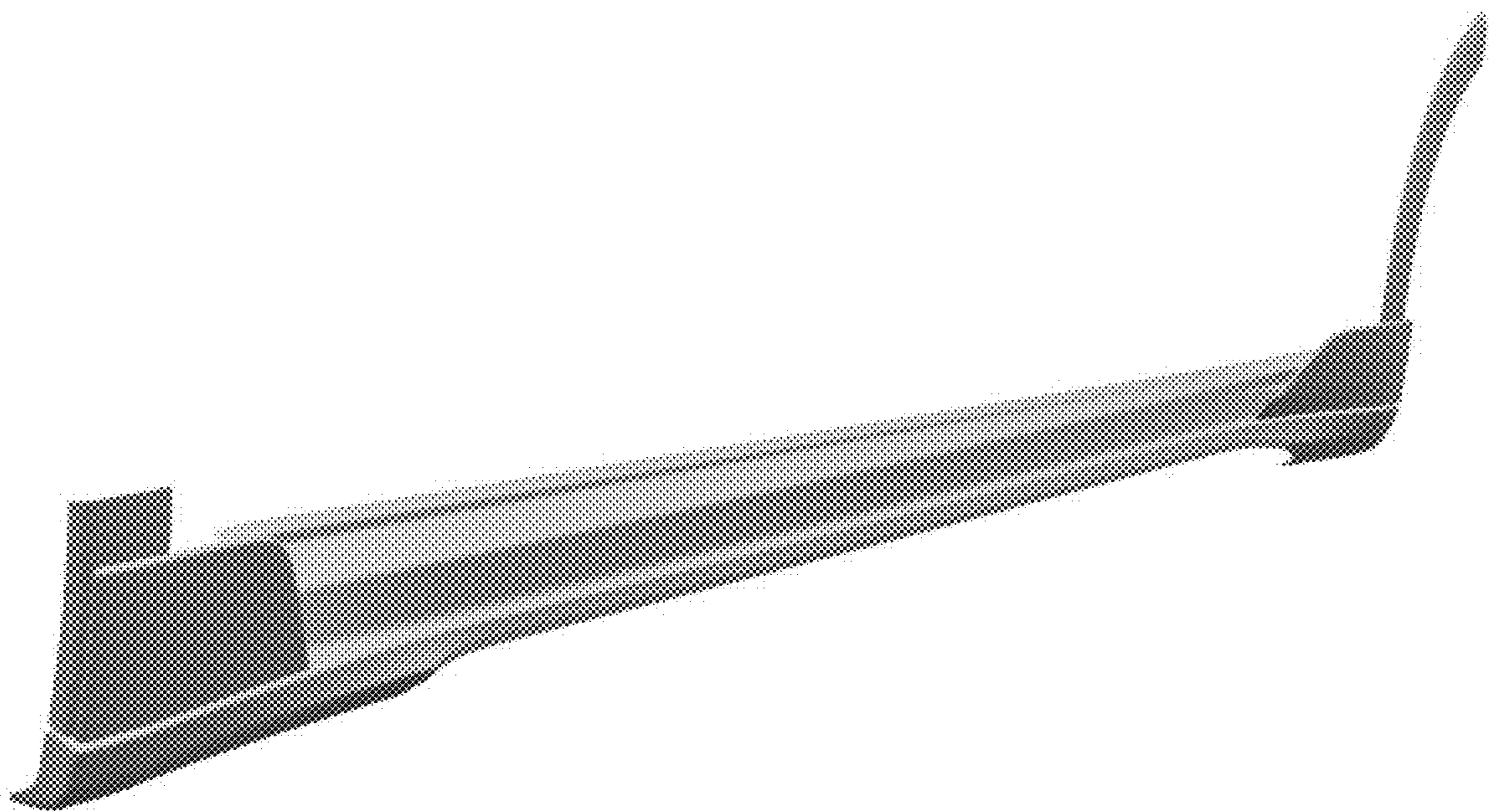


FIG. 8

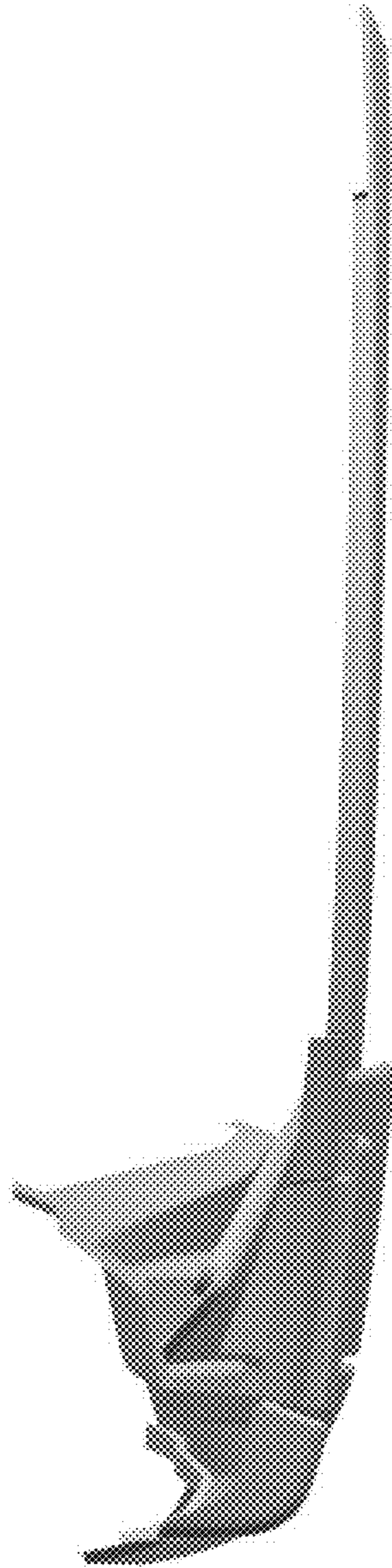


FIG. 9

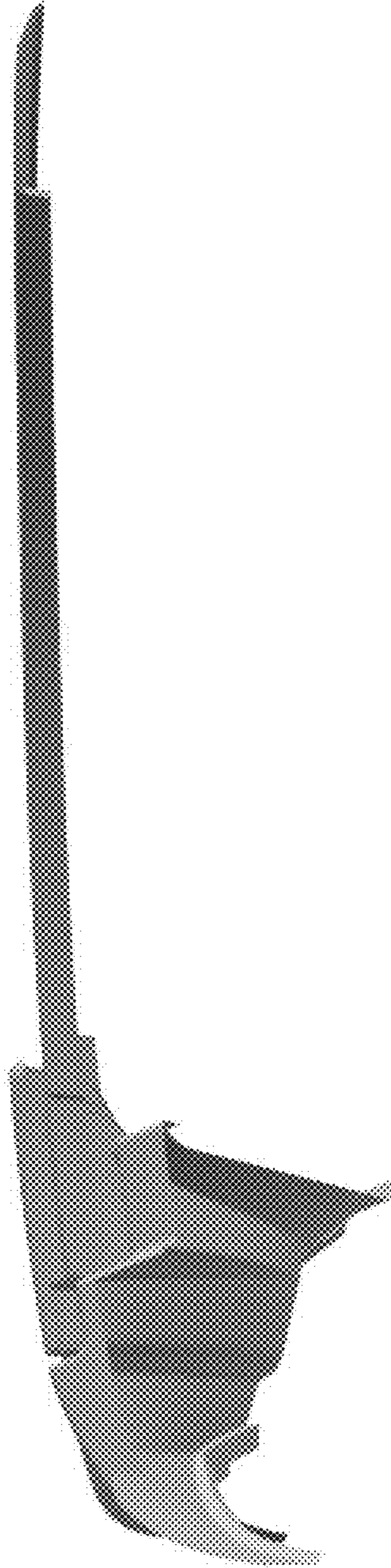


FIG. 10

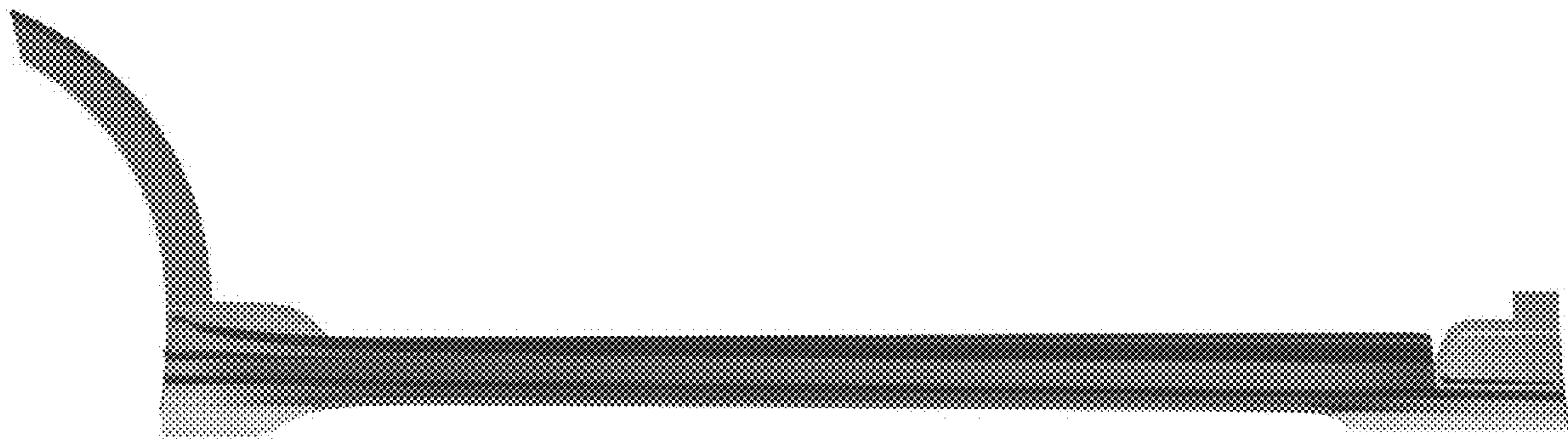


FIG. 11

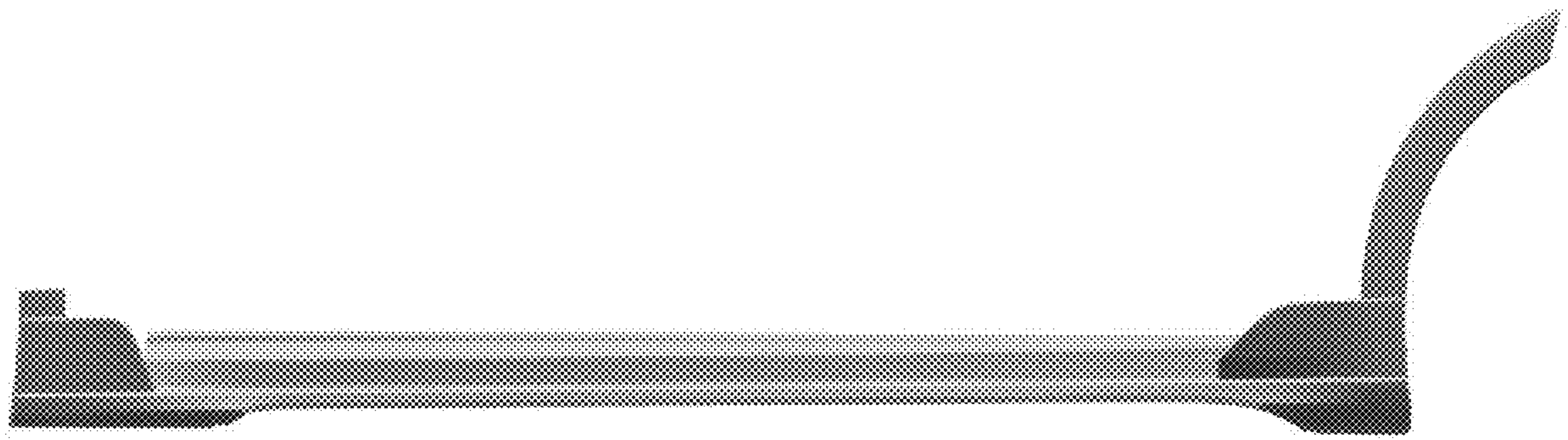


FIG. 12



FIG. 13

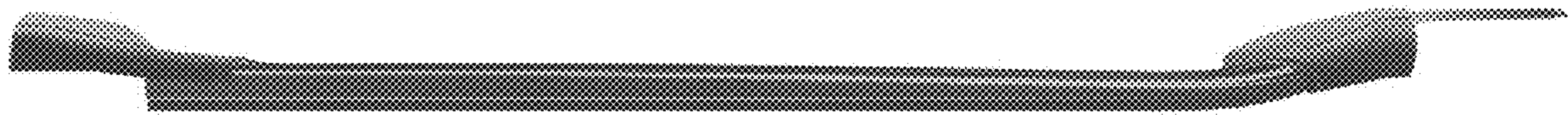


FIG. 14