



US00D985448S

(12) **United States Design Patent** (10) **Patent No.:** **US D985,448 S**  
**Brana et al.** (45) **Date of Patent:** **\*\* May 9, 2023**

(54) **FENDER PANEL FOR AUTOMOBILE**

OTHER PUBLICATIONS

(71) Applicants: **Hyundai Motor Company**, Seoul (KR); **Kia Corporation**, Seoul (KR)

“2018-2019 Honda Accord Front Passenger Side Fender; Sedan; Made Of Steel Partslink HO1241196” amazon.com, post Published Jun. 21, 2019. Retrieved Dec. 12, 2022. Available online at URL: [https://www.amazon.com/2018-2019-Accord-Passenger-Partslink-HO1241196/dp/B07T9MYTT2/ref=asc\\_df\\_B07T9MYTT2/?tag=hy](https://www.amazon.com/2018-2019-Accord-Passenger-Partslink-HO1241196/dp/B07T9MYTT2/ref=asc_df_B07T9MYTT2/?tag=hy) (Year: 2019).\*  
“Replacement Front Side Fender” carparts.com, post Published: Unavailable. Retrieved Dec. 12, 2022. Available online at URL: [https://www.carparts.com/fender/replacement/REPS220160?TID=gglpla&origin=&utm\\_source=google&utm\\_medium=pla&utm\\_campaign](https://www.carparts.com/fender/replacement/REPS220160?TID=gglpla&origin=&utm_source=google&utm_medium=pla&utm_campaign) (Year: 2022).\*

(72) Inventors: **Claudine Brana**, Superior Township, MI (US); **Senon B. Franco, III**, Superior Township, MI (US)

(73) Assignees: **Hyundai Motor Company**, Seoul (KR); **Kia Corporation**, Seoul (KR)

(\*\*) Term: **15 Years**

\* cited by examiner

(21) Appl. No.: **29/779,425**

*Primary Examiner* — Christian P. McLean

(22) Filed: **Apr. 19, 2021**

*Assistant Examiner* — Jessica Lynn Devilbiss

(51) **LOC (14) Cl.** ..... **12-16**

(74) *Attorney, Agent, or Firm* — Fox Rothschild LLP

(52) **U.S. Cl.**  
USPC ..... **D12/184**; D15/28

(57) **CLAIM**

(58) **Field of Classification Search**  
USPC ..... D12/184, 98, 114, 162, 181, 190, 196;  
D21/552, 561, 533, 548; D15/28  
CPC ..... B62D 25/16; B62D 25/18  
See application file for complete search history.

The ornamental design for a fender panel for automobile, as shown and described.

**DESCRIPTION**

(56) **References Cited**

FIG. 1 is a perspective view of a fender panel for automobile according to the present invention.  
FIG. 2 is a front view of the fender panel for automobile of FIG. 1.  
FIG. 3 is a rear view of the fender panel for automobile of FIG. 1.  
FIG. 4 is a left side view of the fender panel for automobile of FIG. 1.  
FIG. 5 is a right side view of the fender panel for automobile of FIG. 1.  
FIG. 6 is a top view of the fender panel for automobile of FIG. 1; and,  
FIG. 7 is a bottom view of the fender panel for automobile of FIG. 1.

U.S. PATENT DOCUMENTS

D659,616 S *	5/2012	Matsumoto	.....	D12/184
D669,829 S *	10/2012	Iwao	.....	D12/184
D841,542 S *	2/2019	Koo	.....	D12/184
D856,879 S *	8/2019	Woodhouse	.....	D12/184
D873,742 S *	1/2020	Toriyama	.....	D12/184
D904,950 S *	12/2020	Al Attar	.....	D12/184
D925,420 S *	7/2021	Hunwick	.....	D12/184
D925,422 S *	7/2021	Theis	.....	D12/184
D928,675 S *	8/2021	Piaskowski	.....	D12/184
D929,282 S *	8/2021	Wraith	.....	D12/184
D930,533 S *	9/2021	Ruiz	.....	D12/184
D957,296 S *	7/2022	Woodhouse	.....	D12/184

**1 Claim, 7 Drawing Sheets**

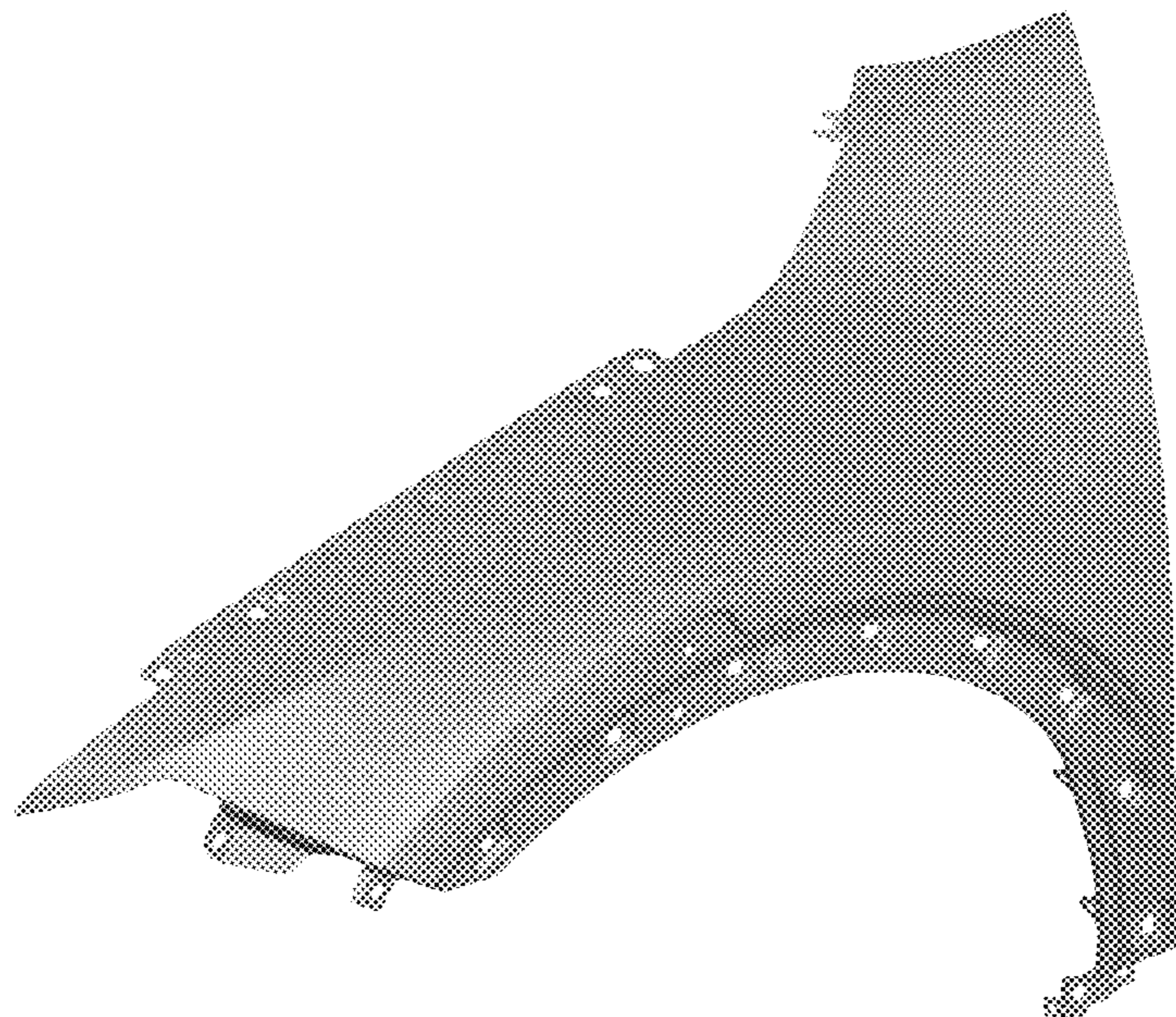


FIG. 1

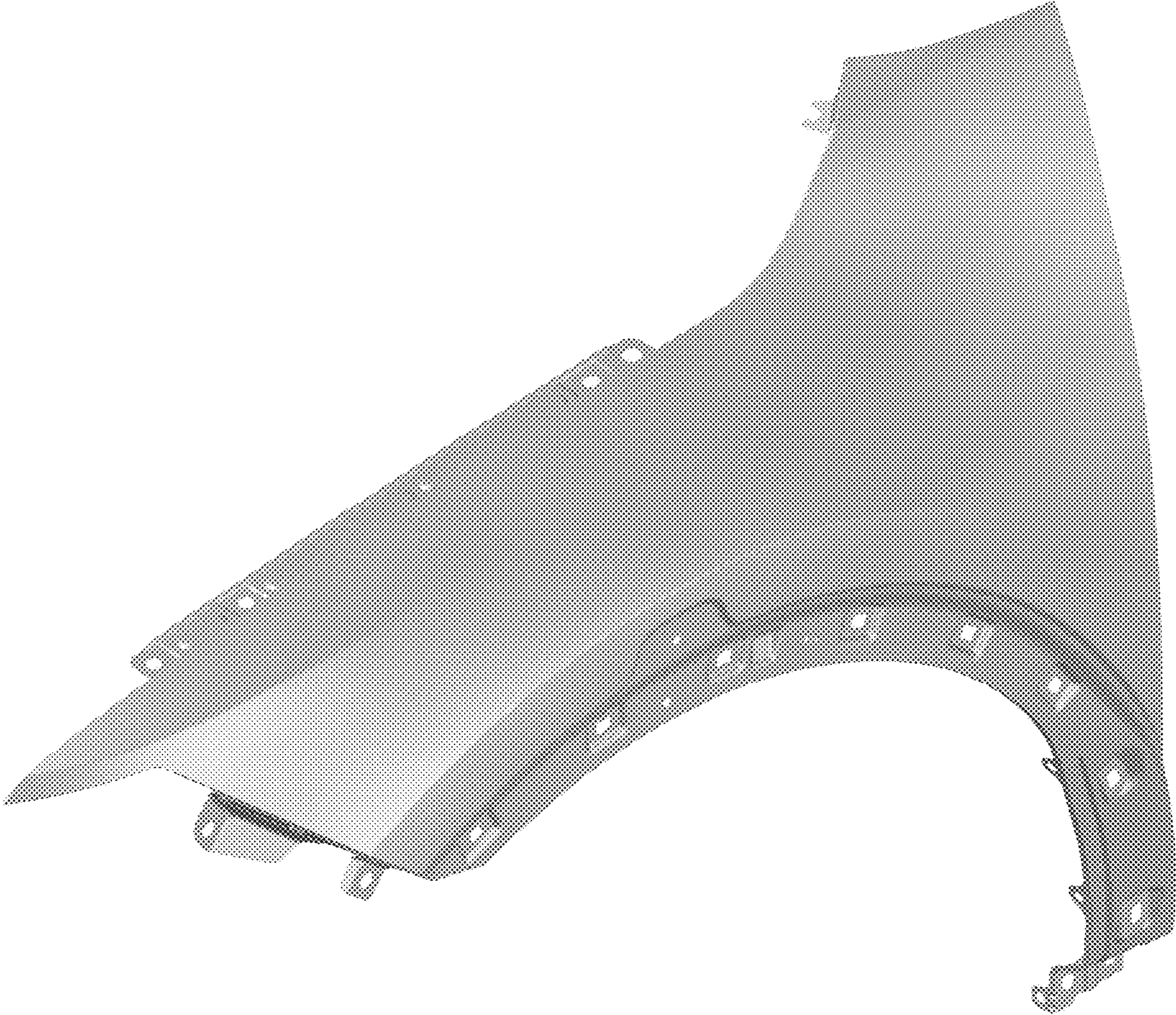


FIG. 2

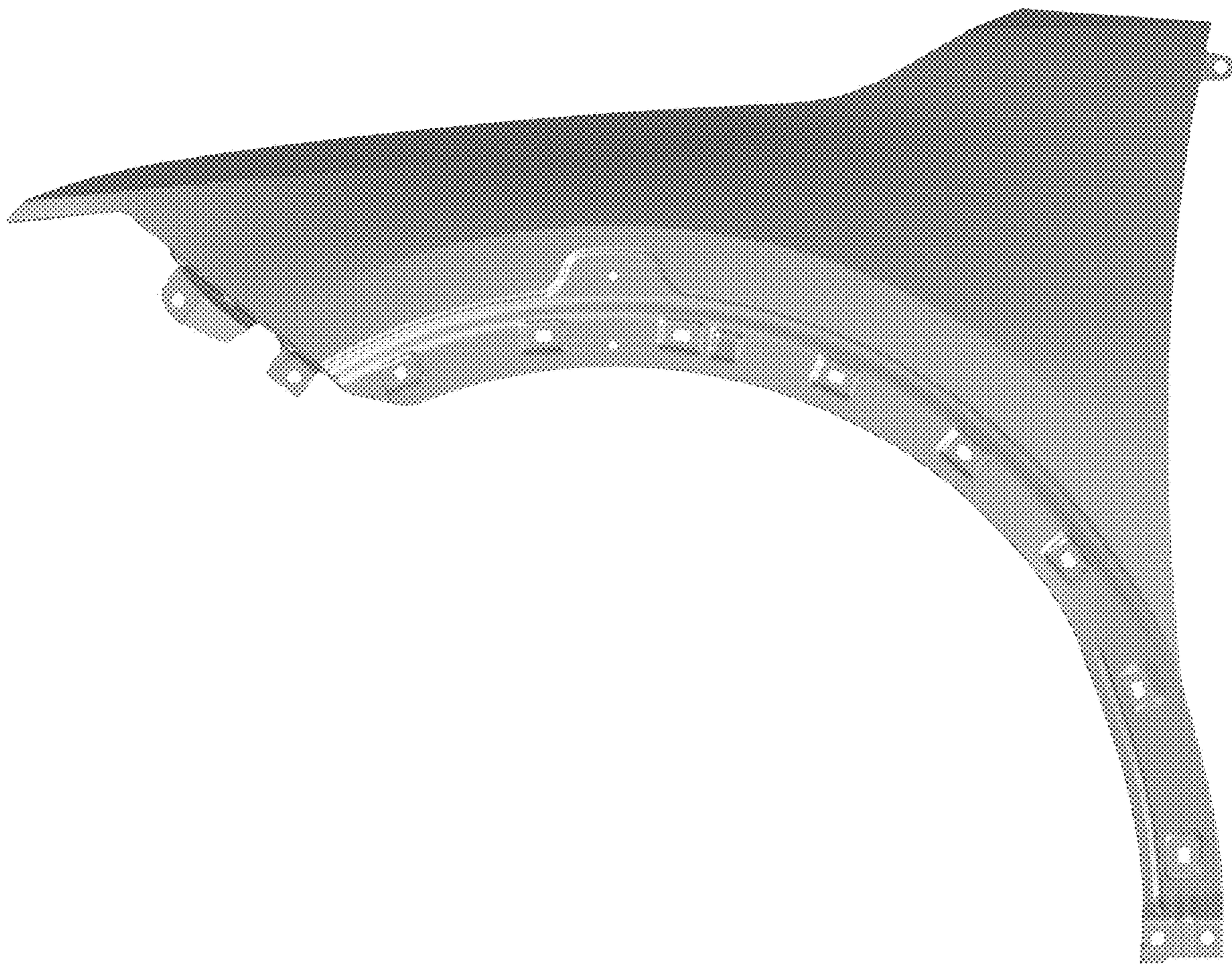
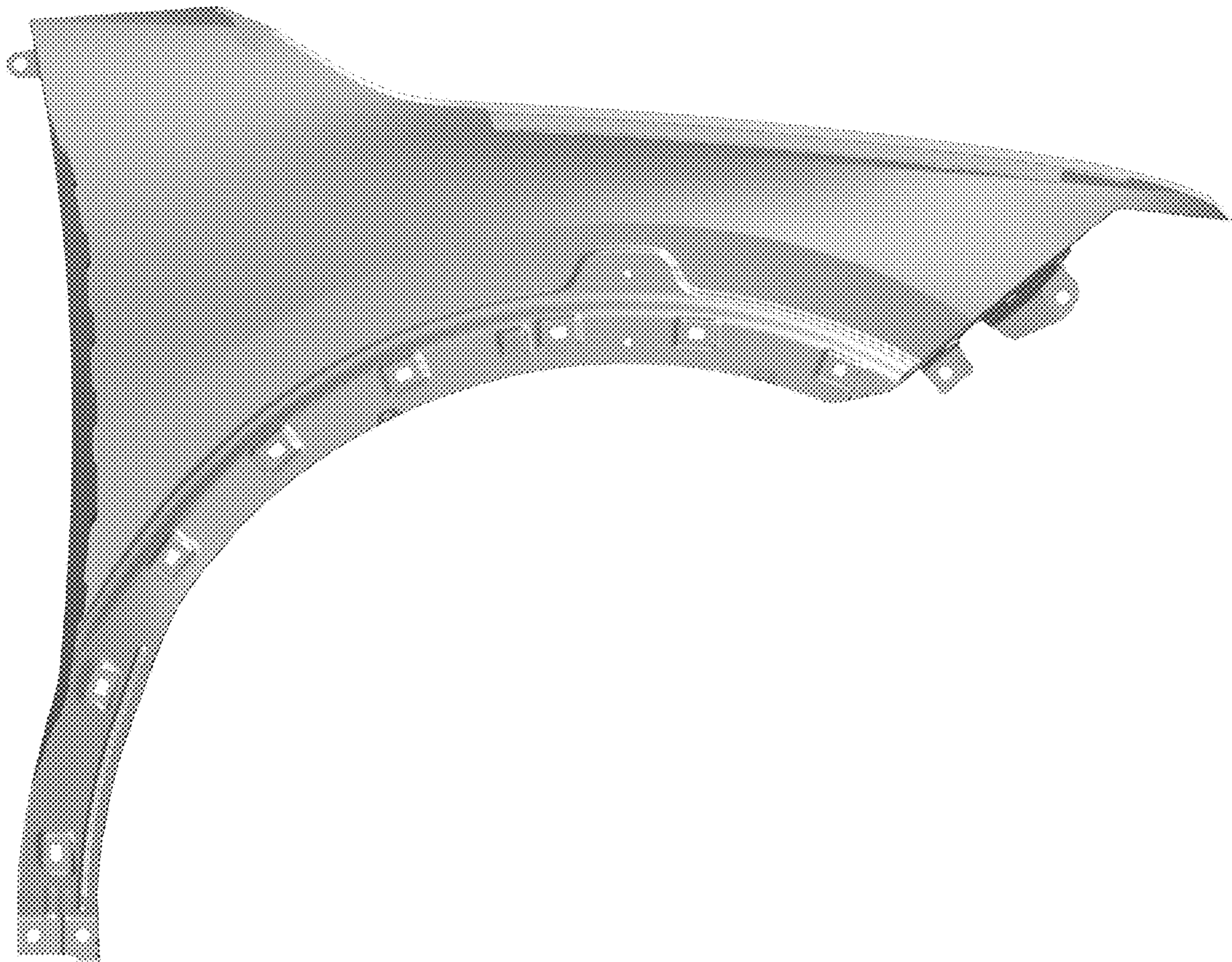
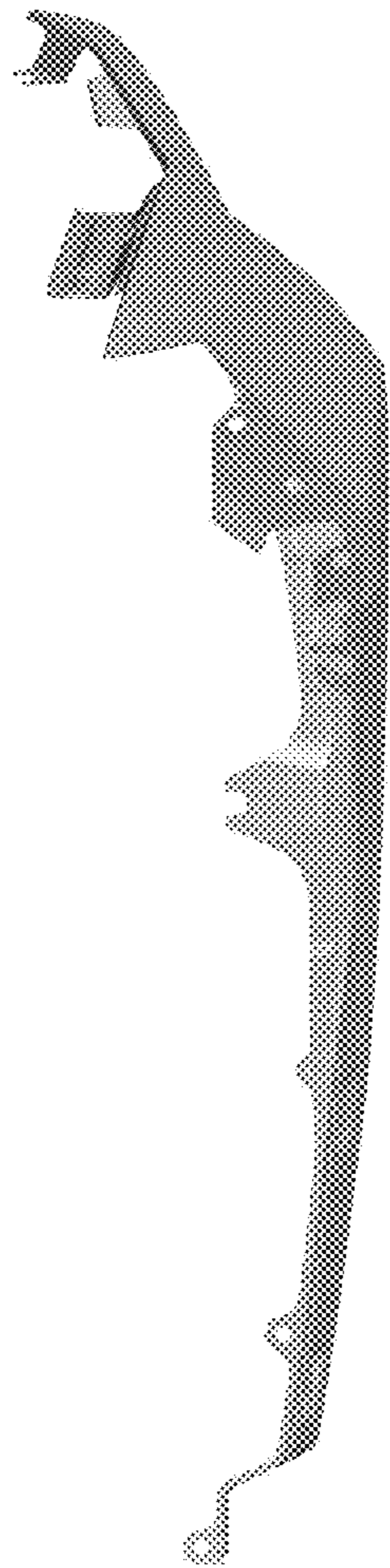


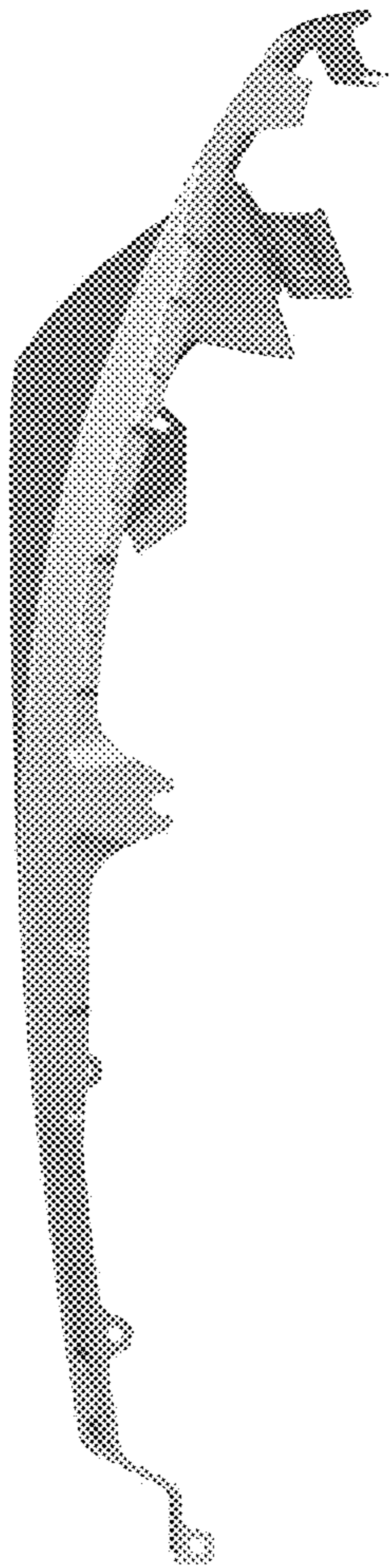
FIG. 3



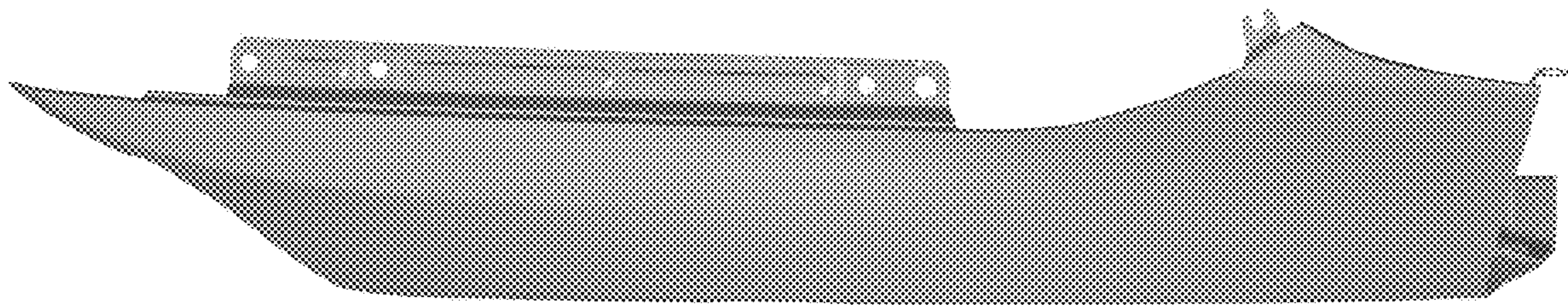
**FIG. 4**



**FIG. 5**



**FIG. 6**



**FIG. 7**

