



US00D985444S

(12) **United States Design Patent**  
**Kobayashi et al.**

(10) **Patent No.:** **US D985,444 S**

(45) **Date of Patent:** **\*\* May 9, 2023**

(54) **FRONT BUMPER FOR AN AUTOMOBILE**

(71) Applicant: **Subaru Corporation**, Tokyo (JP)

(72) Inventors: **Kohei Kobayashi**, Tokyo (JP); **Yuuki Takamatsu**, Tokyo (JP)

(73) Assignee: **Subaru Corporation**, Tokyo (JP)

(\*\*) Term: **15 Years**

(21) Appl. No.: **29/809,865**

(22) Filed: **Sep. 30, 2021**

(30) **Foreign Application Priority Data**

Mar. 31, 2021 (JP) ..... 2021-006740 D

(51) **LOC (14) Cl.** ..... **12-16**

(52) **U.S. Cl.**  
USPC ..... **D12/169**

(58) **Field of Classification Search**  
USPC ..... D12/169, 196, 86, 90-92, 163, 190, 98,  
D12/164; 293/102, 113, 115, 117, 120,  
293/193.11; 296/180.1, 180.2  
CPC ..... B60R 19/02; B60R 19/04; B62D 25/08  
See application file for complete search history.

(56) **References Cited**

U.S. PATENT DOCUMENTS

D733,621 S *	7/2015	Ikuma	.....	D12/169
D748,021 S *	1/2016	Iwanaga	.....	D12/169
D751,957 S *	3/2016	Tomatsu	.....	D12/169
D752,486 S *	3/2016	Sperling	.....	D12/169
D784,214 S *	4/2017	Kanasugi	.....	D12/169
D793,923 S *	8/2017	Katou	.....	D12/169
D800,032 S *	10/2017	Yokoi	.....	D12/169
D800,035 S *	10/2017	Takamatsu	.....	D12/169
D813,735 S *	3/2018	Kanno	.....	D12/169
D813,736 S *	3/2018	Jevremovic	.....	D12/169
D814,989 S *	4/2018	Ino	.....	D12/169

D829,616 S *	10/2018	Fuchino	.....	D12/169
D829,617 S *	10/2018	Takamatsu	.....	D12/169
D829,618 S *	10/2018	Kamahara	.....	D12/169
D830,250 S *	10/2018	Tomita	.....	D12/169
D839,150 S *	1/2019	Roller	.....	D12/169
D851,562 S *	6/2019	Andoh	.....	D12/169
D856,220 S *	8/2019	Koyama	.....	D12/169
D856,221 S *	8/2019	Sakaue	.....	D12/169
D904,940 S *	12/2020	Utsunomiya	.....	D12/169
D904,944 S *	12/2020	Higurashi	.....	D12/169
D905,598 S *	12/2020	Vicente	.....	D12/91
D906,907 S *	1/2021	Yagi	.....	D12/169
D909,932 S *	2/2021	Tanaka	.....	D12/169
D909,933 S *	2/2021	Tanaka	.....	D12/169
D917,352 S *	4/2021	Lee	.....	D12/169
D918,800 S *	5/2021	Nagasaka	.....	D12/169
D921,545 S *	6/2021	Fuchino	.....	D12/169
D931,758 S *	9/2021	Ozawa	.....	D12/91
D932,942 S *	10/2021	Ishii	.....	D12/91
D939,403 S *	12/2021	Matsumoto	.....	D12/169
D939,404 S *	12/2021	Takeda	.....	D12/169
D939,405 S *	12/2021	Kobayashi	.....	D12/169

\* cited by examiner

*Primary Examiner* — Melody N Brown

(74) *Attorney, Agent, or Firm* — Banner & Witcoff Ltd.

(57) **CLAIM**

We claim the ornamental design for a front bumper for an automobile, as shown and described.

**DESCRIPTION**

FIG. 1 is a front and right side perspective view of a front bumper for an automobile showing our new design; FIG. 2 is a rear perspective view thereof, FIG. 3 is a front view thereof, FIG. 4 is a rear view thereof, FIG. 5 is a top view thereof, FIG. 6 is a bottom view thereof, FIG. 7 is a left-side view thereof; and, FIG. 8 is a right-side view thereof.

**1 Claim, 5 Drawing Sheets**

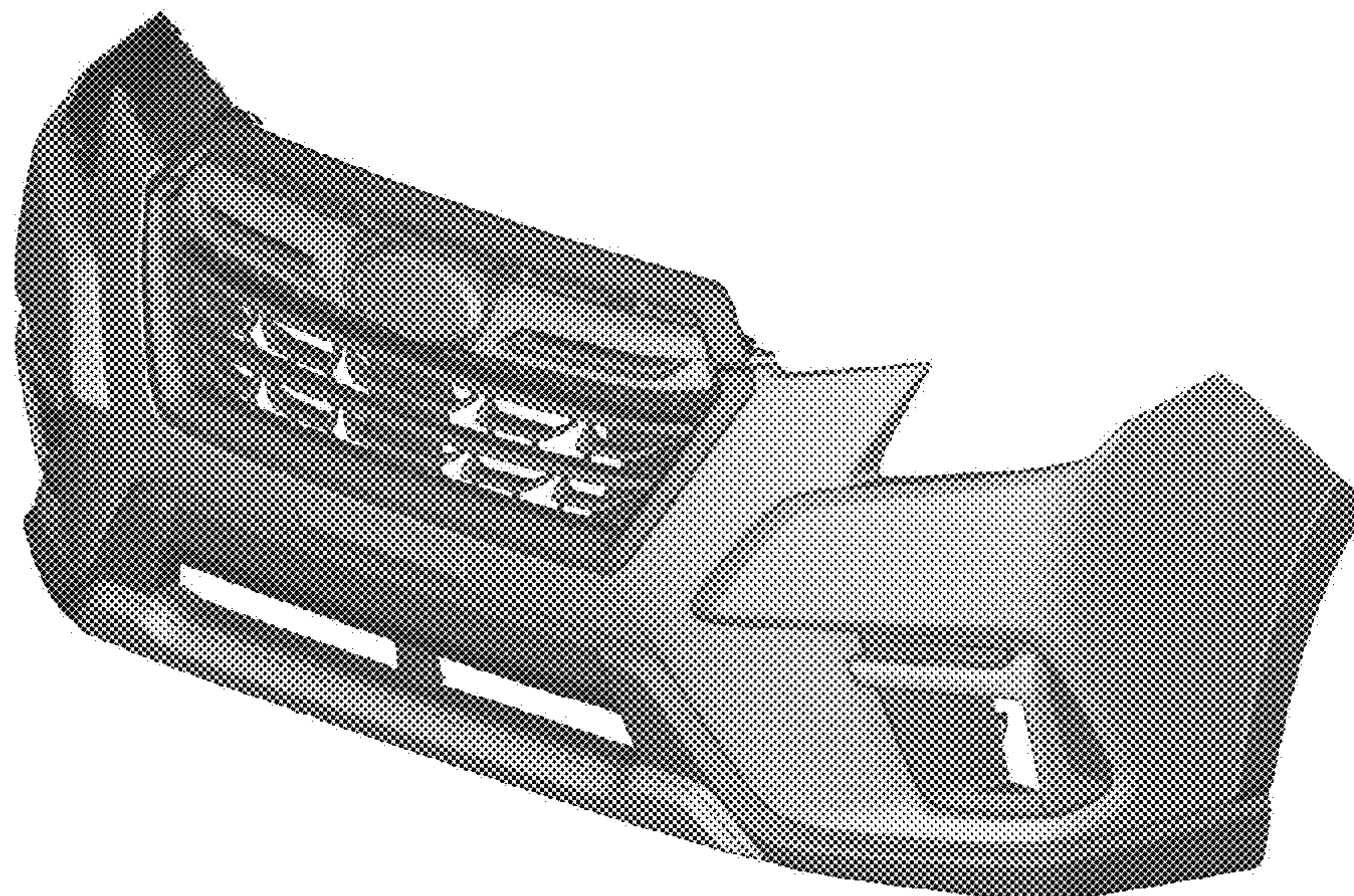


FIG. 1

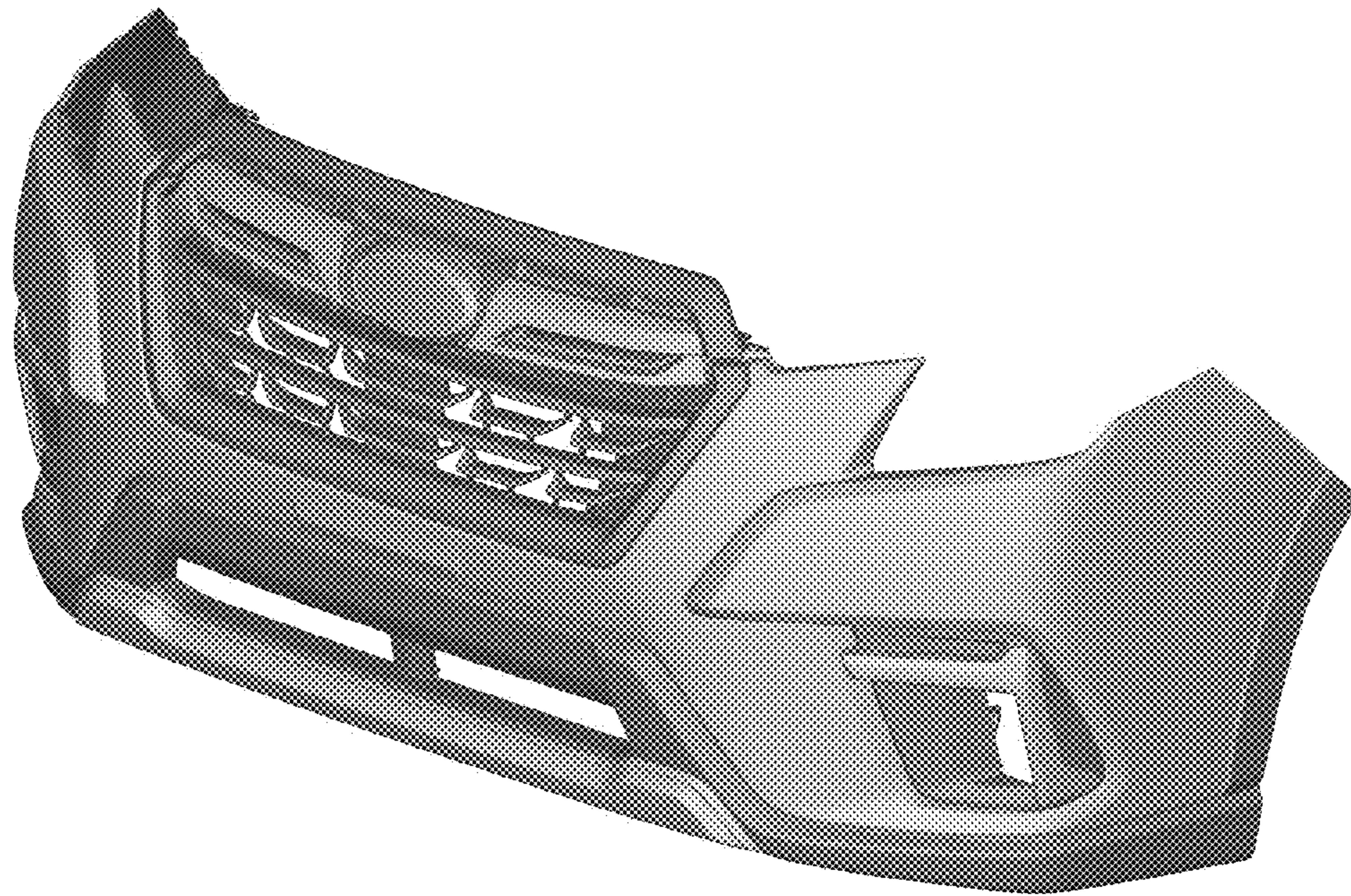


FIG. 2

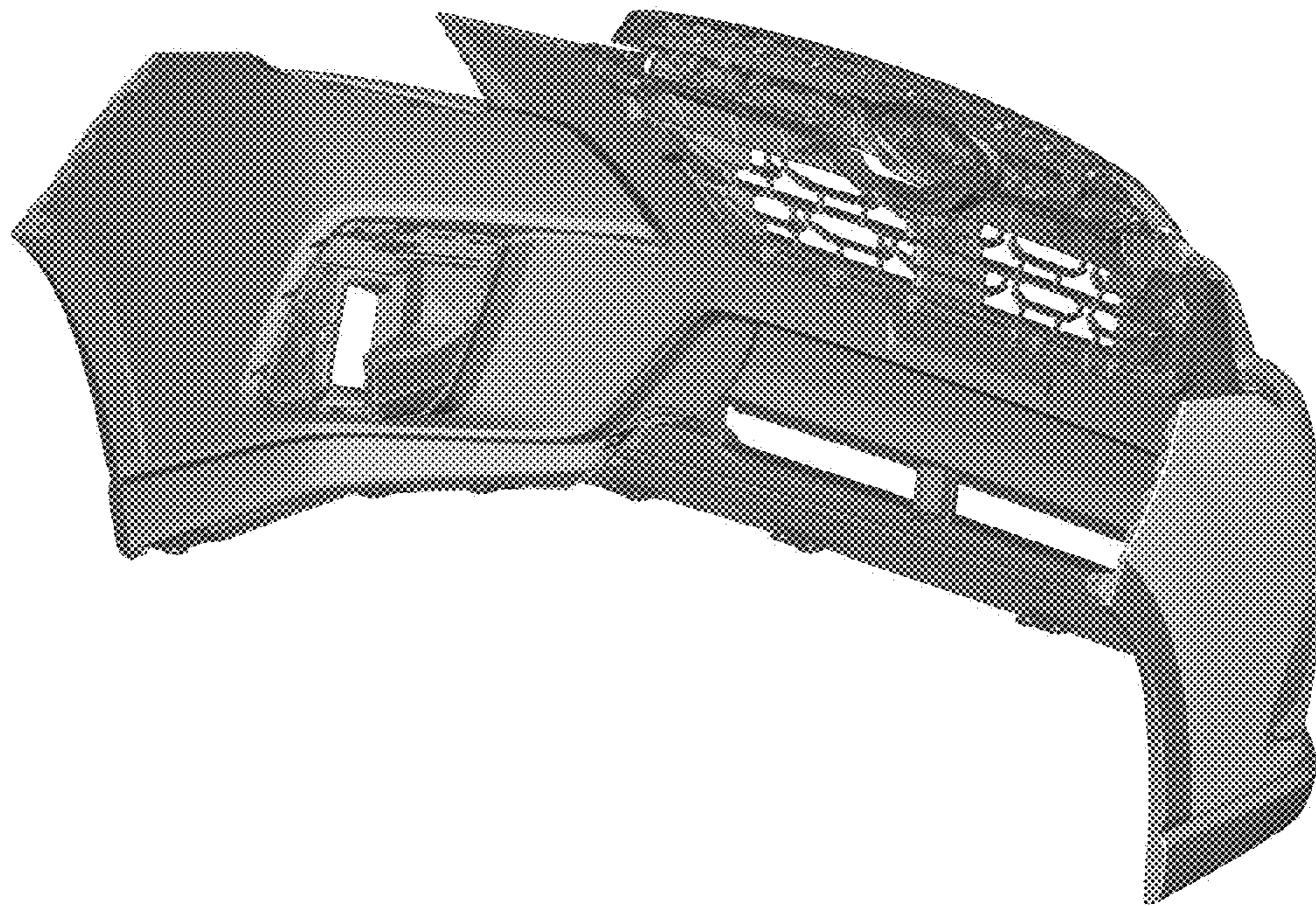


FIG. 3

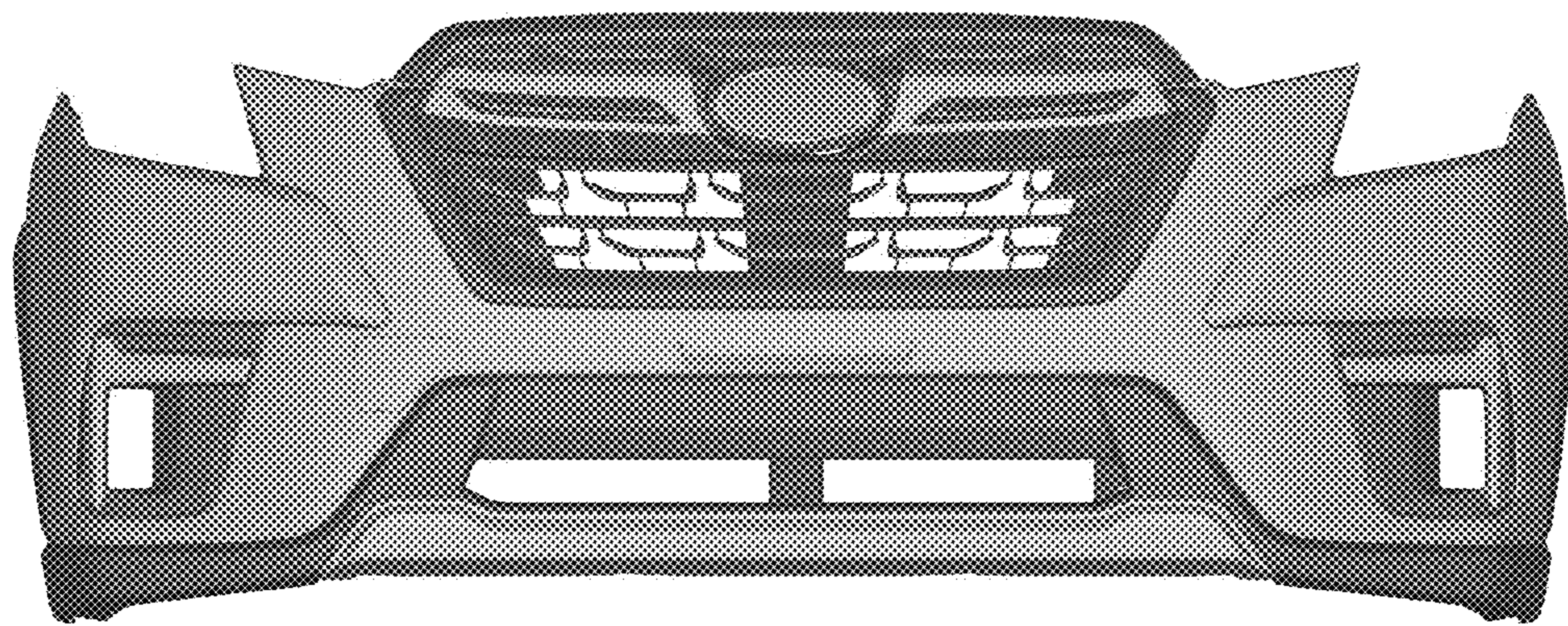


FIG. 4

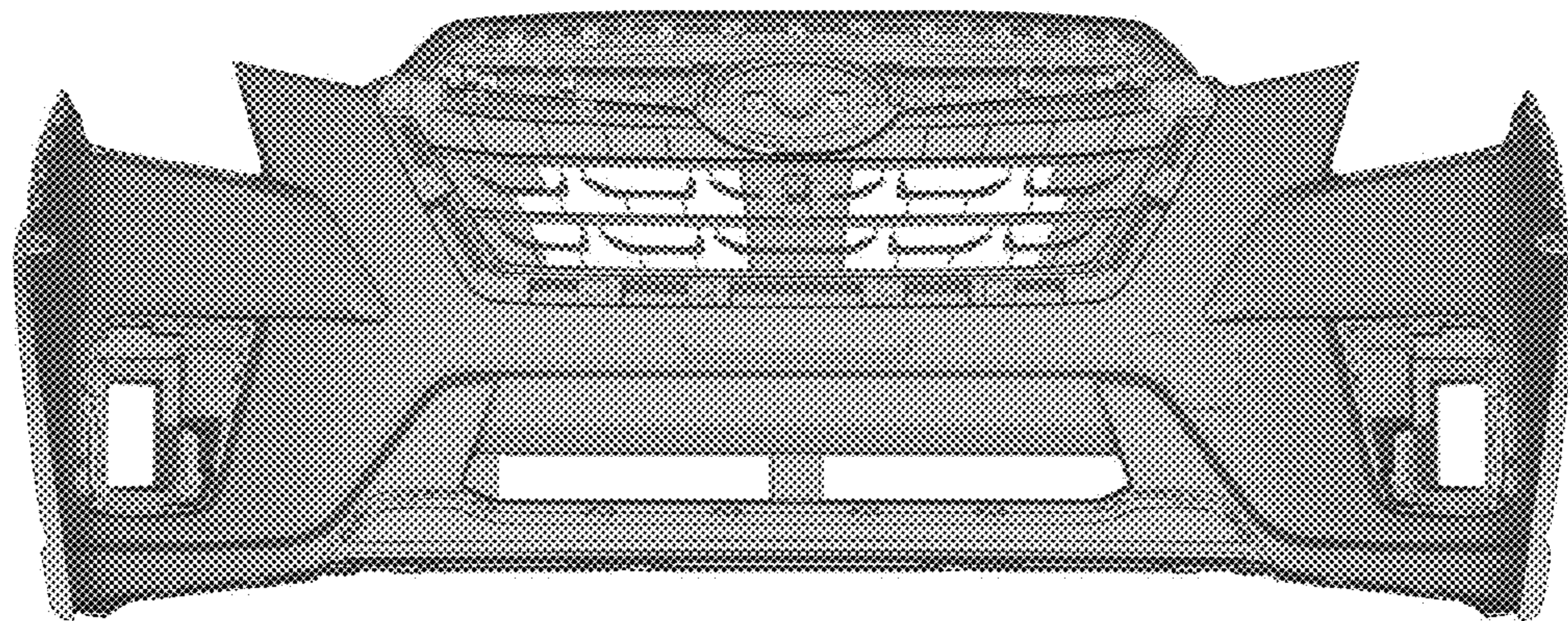


FIG. 5

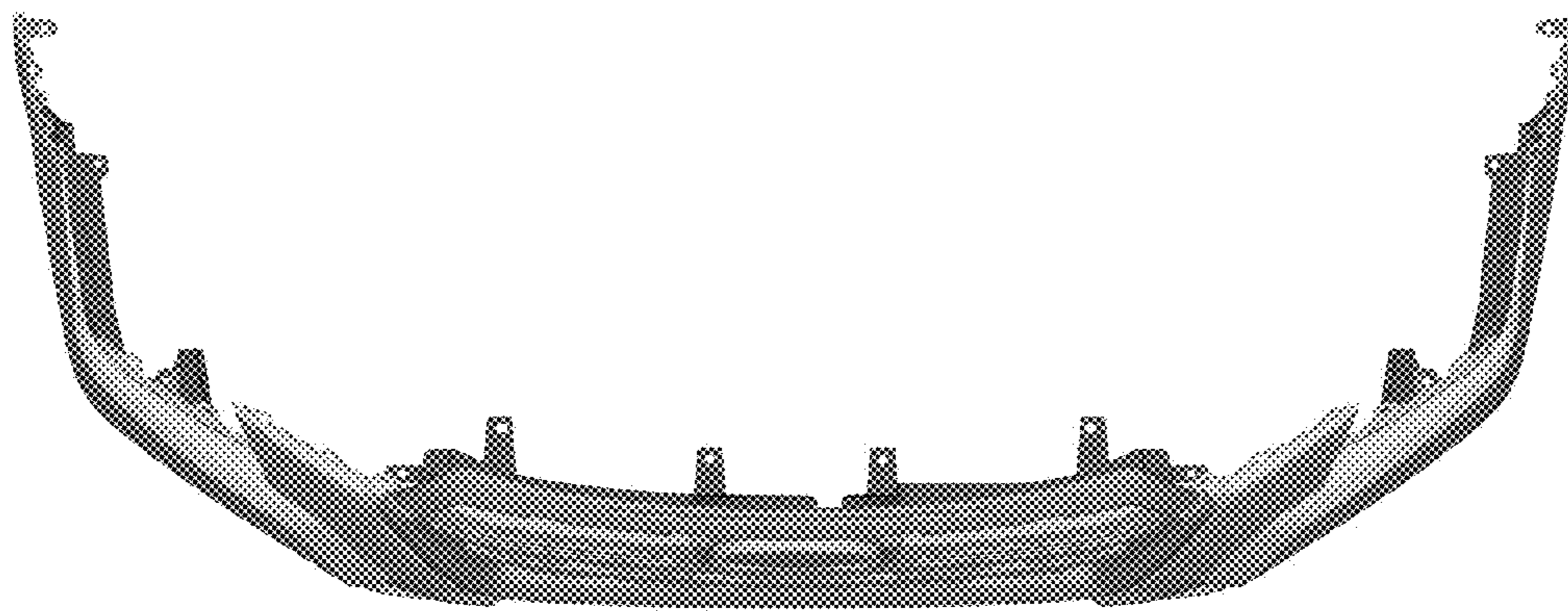


FIG. 6

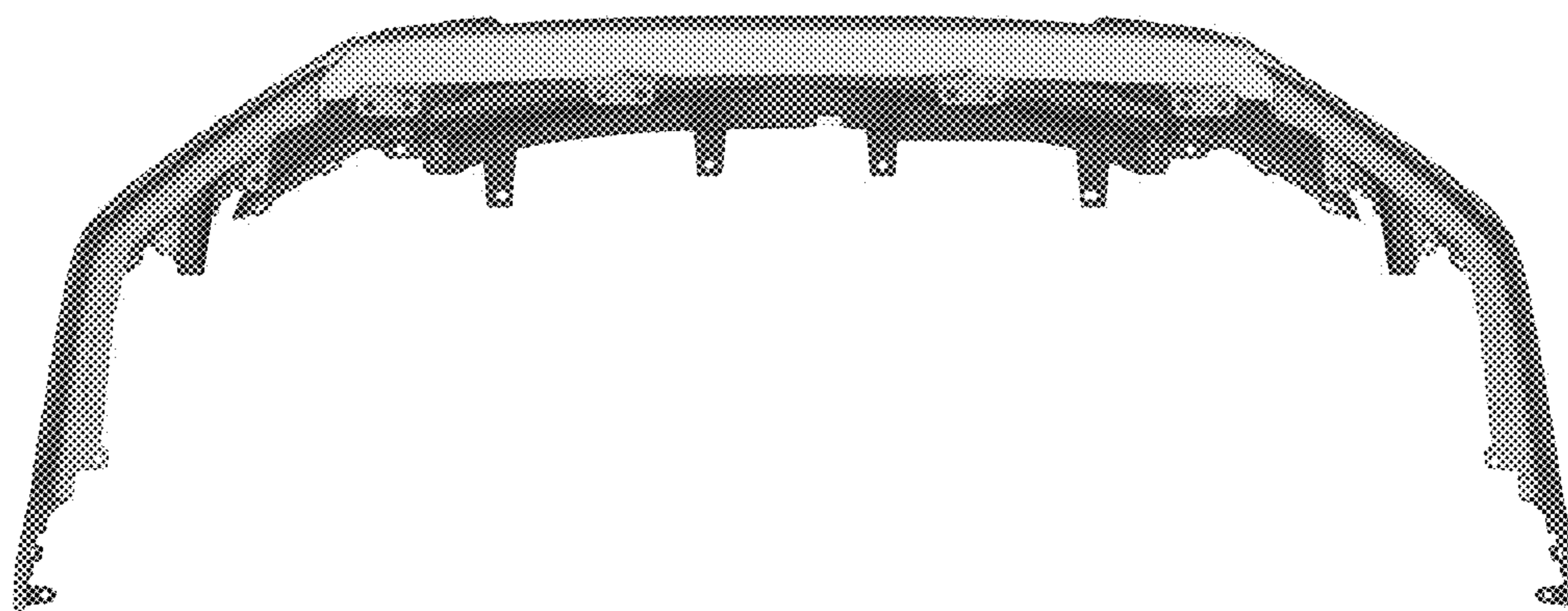


FIG. 7

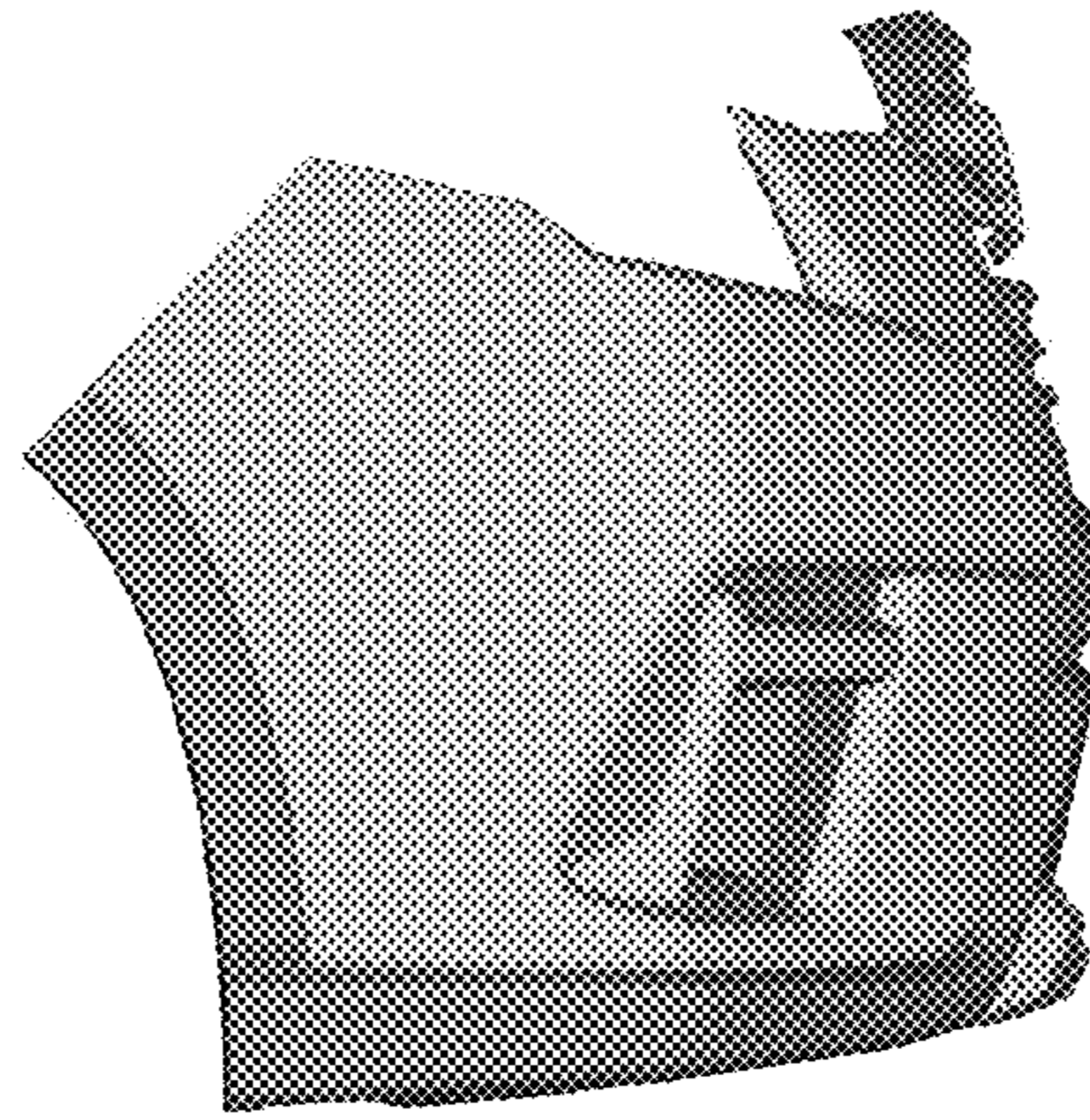


FIG. 8

