

US00D985443S

(12) **United States Design Patent** (10) **Patent No.:** **US D985,443 S**
Kobayashi et al. (45) **Date of Patent:** **** May 9, 2023**

(54) **FRONT BUMPER FOR AN AUTOMOBILE**

(71) Applicant: **Subaru Corporation**, Tokyo (JP)

(72) Inventors: **Kohei Kobayashi**, Tokyo (JP);
Shigetaka Shimizu, Tokyo (JP)

(73) Assignee: **Subaru Corporation**, Tokyo (JP)

(**) Term: **15 Years**

(21) Appl. No.: **29/809,862**

(22) Filed: **Sep. 30, 2021**

(30) **Foreign Application Priority Data**

Mar. 31, 2021 (JP) 2021-006739 D

(51) **LOC (14) Cl.** **12-16**

(52) **U.S. Cl.**
USPC **D12/169**

(58) **Field of Classification Search**
USPC D12/169, 196, 86, 90-92, 163, 190, 98,
D12/164; 293/102, 113, 115, 117, 120,
293/193.11; 296/180.1, 180.2
CPC B60R 19/02; B60R 19/04; B62D 25/08
See application file for complete search history.

(56) **References Cited**

U.S. PATENT DOCUMENTS

| | | | | |
|--------------|---------|------------|-------|---------|
| D733,621 S * | 7/2015 | Ikuma | | D12/169 |
| D748,021 S * | 1/2016 | Iwanaga | | D12/169 |
| D751,957 S * | 3/2016 | Tomatsu | | D12/169 |
| D752,486 S * | 3/2016 | Sperling | | D12/169 |
| D784,214 S * | 4/2017 | Kanasugi | | D12/169 |
| D793,923 S * | 8/2017 | Katou | | D12/169 |
| D800,032 S * | 10/2017 | Yokoi | | D12/169 |
| D800,035 S * | 10/2017 | Takamatsu | | D12/169 |
| D813,735 S * | 3/2018 | Kanno | | D12/169 |
| D813,736 S * | 3/2018 | Jevremovic | | D12/169 |
| D814,989 S * | 4/2018 | Ino | | D12/169 |

| | | | | |
|--------------|---------|------------|-------|---------|
| D829,616 S * | 10/2018 | Fuchino | | D12/169 |
| D829,617 S * | 10/2018 | Takamatsu | | D12/169 |
| D829,618 S * | 10/2018 | Kamahara | | D12/169 |
| D830,250 S * | 10/2018 | Tomita | | D12/169 |
| D839,150 S * | 1/2019 | Roller | | D12/169 |
| D851,562 S * | 6/2019 | Andoh | | D12/169 |
| D856,220 S * | 8/2019 | Koyama | | D12/169 |
| D856,221 S * | 8/2019 | Sakaue | | D12/169 |
| D904,940 S * | 12/2020 | Utsunomiya | | D12/169 |
| D904,944 S * | 12/2020 | Higurashi | | D12/169 |
| D905,598 S * | 12/2020 | Vicente | | D12/91 |
| D906,907 S * | 1/2021 | Yagi | | D12/169 |
| D909,932 S * | 2/2021 | Tanaka | | D12/169 |
| D909,933 S * | 2/2021 | Tanaka | | D12/169 |
| D917,352 S * | 4/2021 | Lee | | D12/169 |
| D918,800 S * | 5/2021 | Nagasaka | | D12/169 |
| D921,545 S * | 6/2021 | Fuchino | | D12/169 |
| D931,758 S * | 9/2021 | Ozawa | | D12/91 |
| D932,942 S * | 10/2021 | Ishii | | D12/91 |
| D939,403 S * | 12/2021 | Matsumoto | | D12/169 |
| D939,404 S * | 12/2021 | Takeda | | D12/169 |
| D939,405 S * | 12/2021 | Kobayashi | | D12/169 |

* cited by examiner

Primary Examiner — Melody N Brown

(74) *Attorney, Agent, or Firm* — Banner & Witcoff Ltd.

(57) **CLAIM**

We claim the ornamental design for a front bumper for an automobile, as shown and described.

DESCRIPTION

FIG. 1 is a front and right side perspective view of a front bumper for an automobile showing our new design; FIG. 2 is a rear perspective view thereof, FIG. 3 is a front view thereof, FIG. 4 is a rear view thereof, FIG. 5 is a top view thereof FIG. 6 is a bottom view thereof, FIG. 7 is a left-side view thereof; and, FIG. 8 is a right-side view thereof.

1 Claim, 5 Drawing Sheets

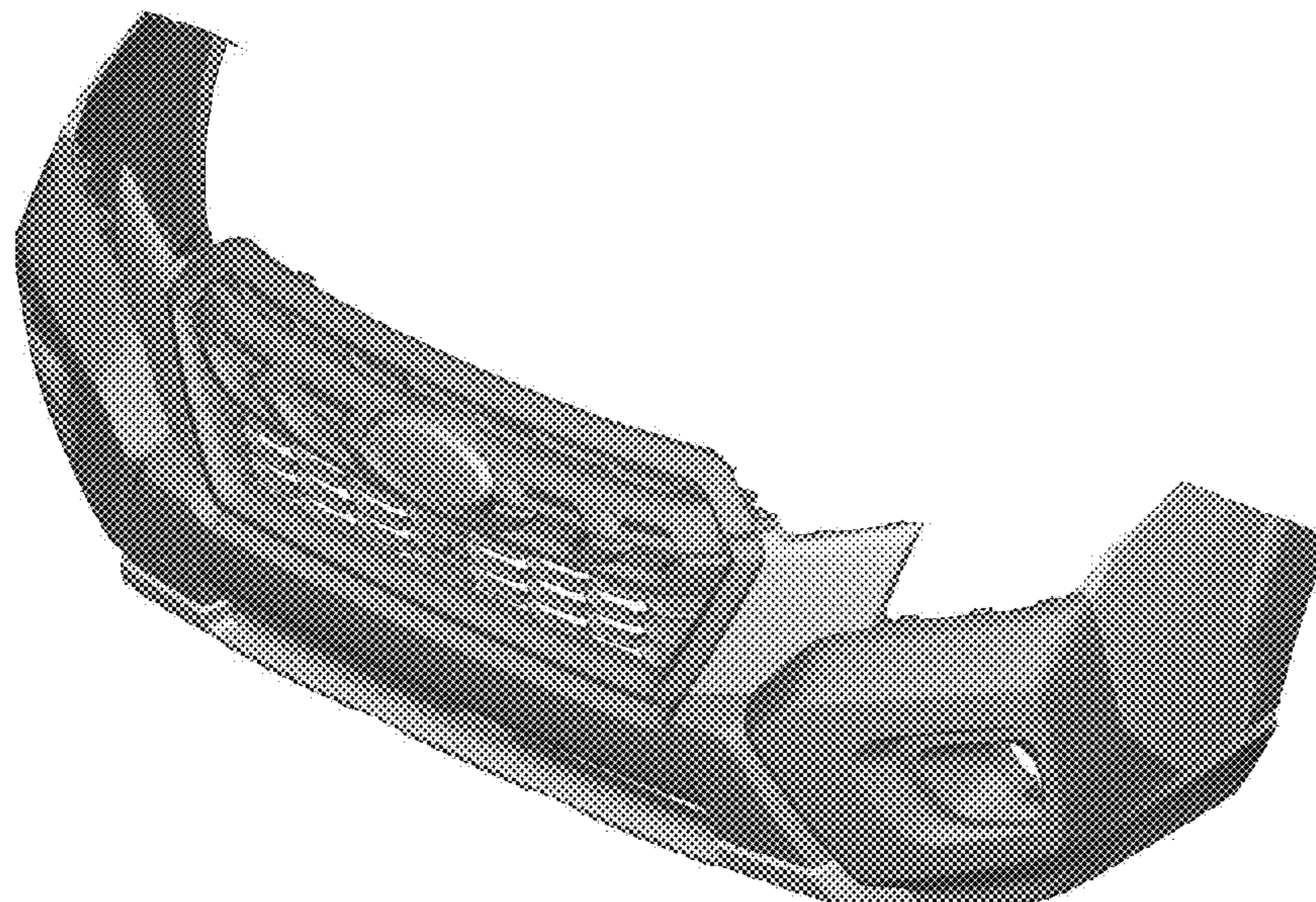


FIG. 1

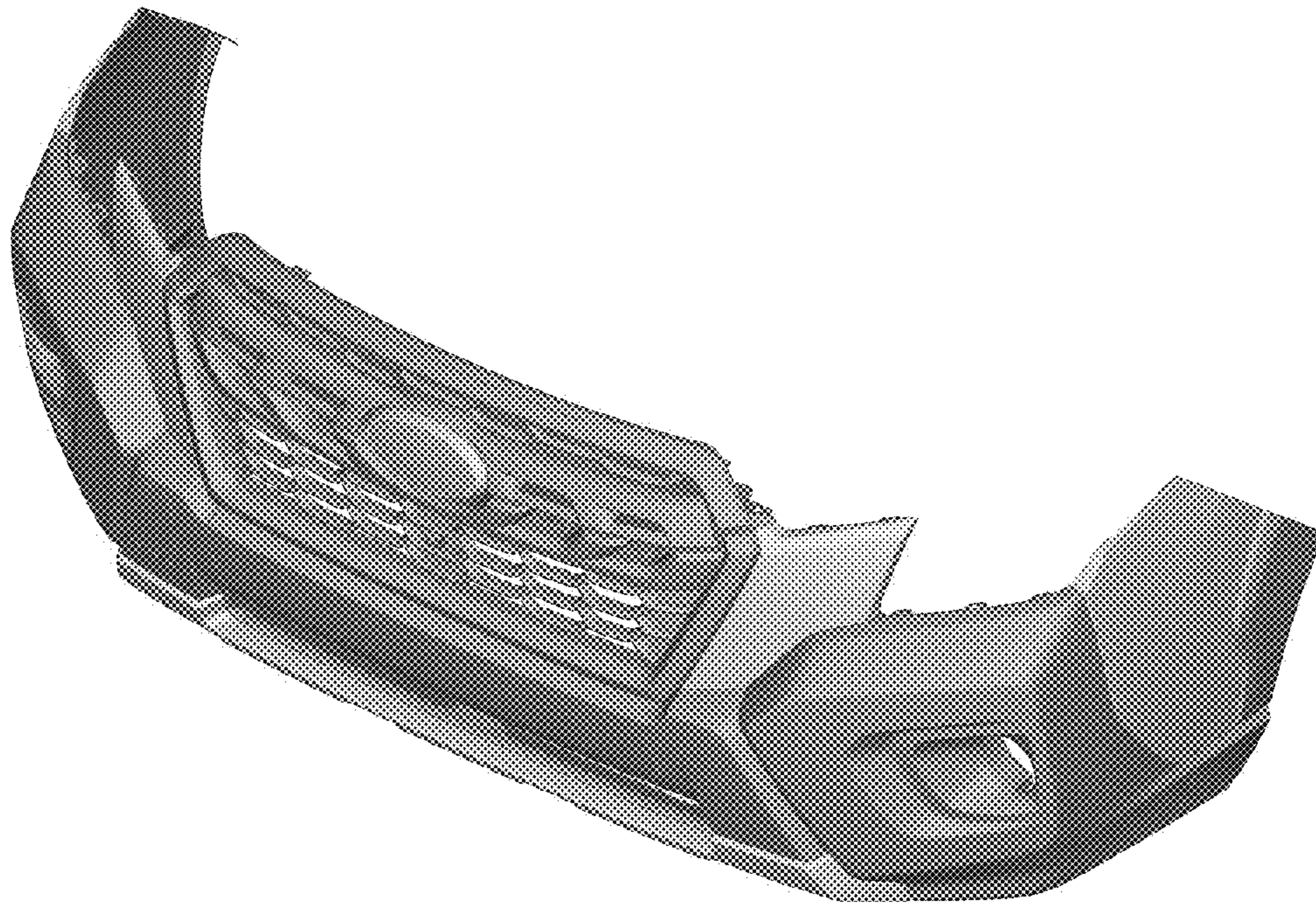


FIG. 2

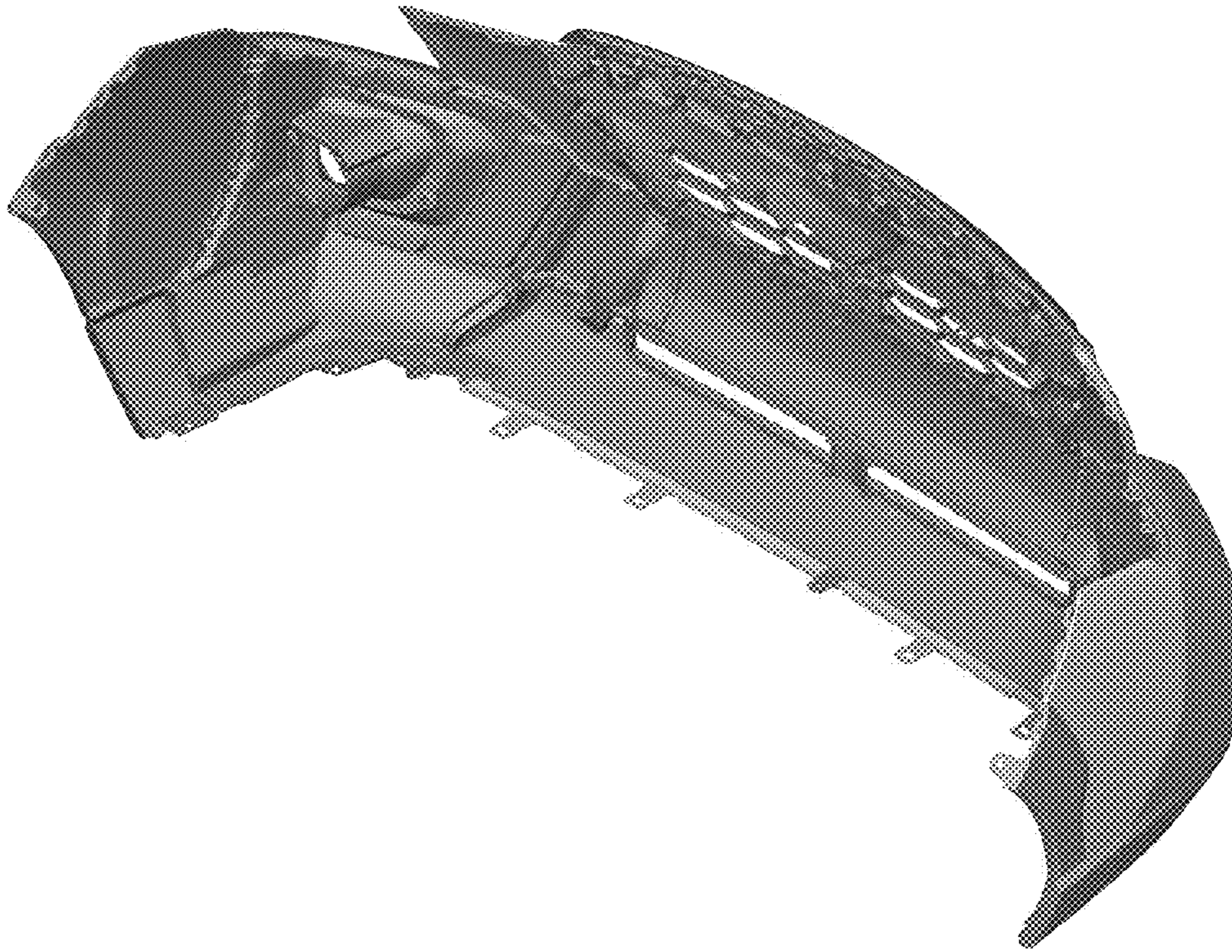


FIG. 3

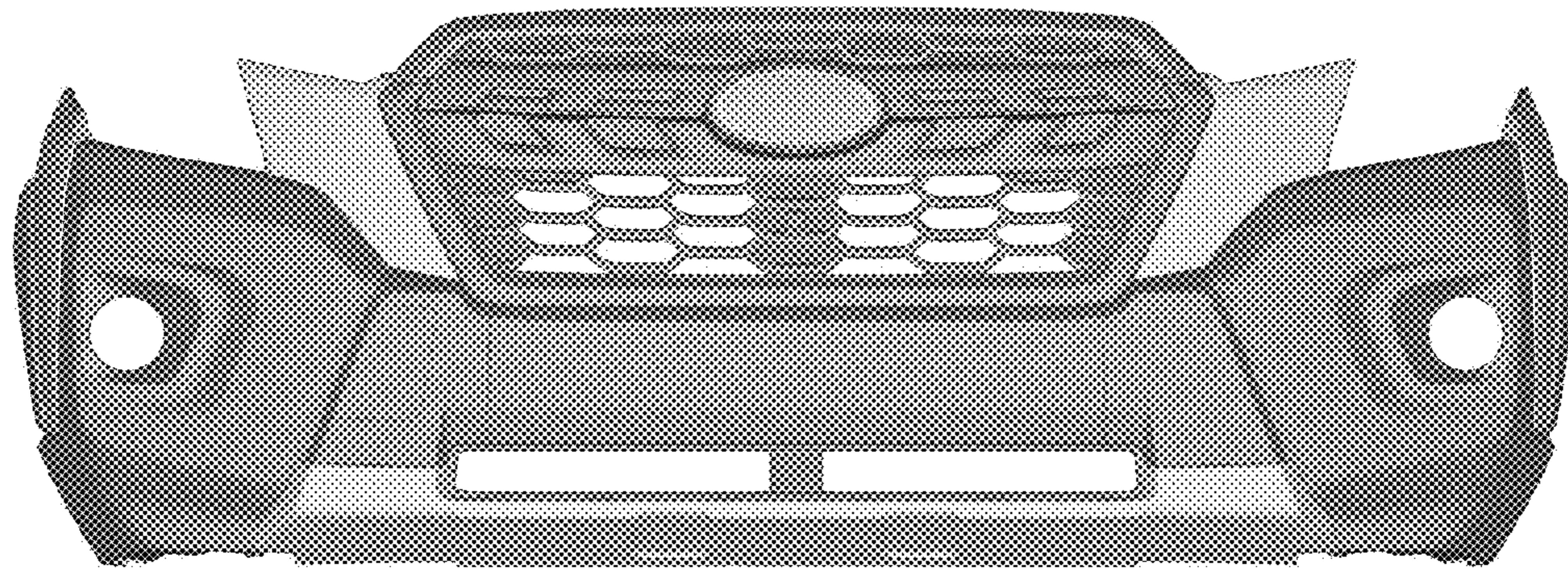


FIG. 4

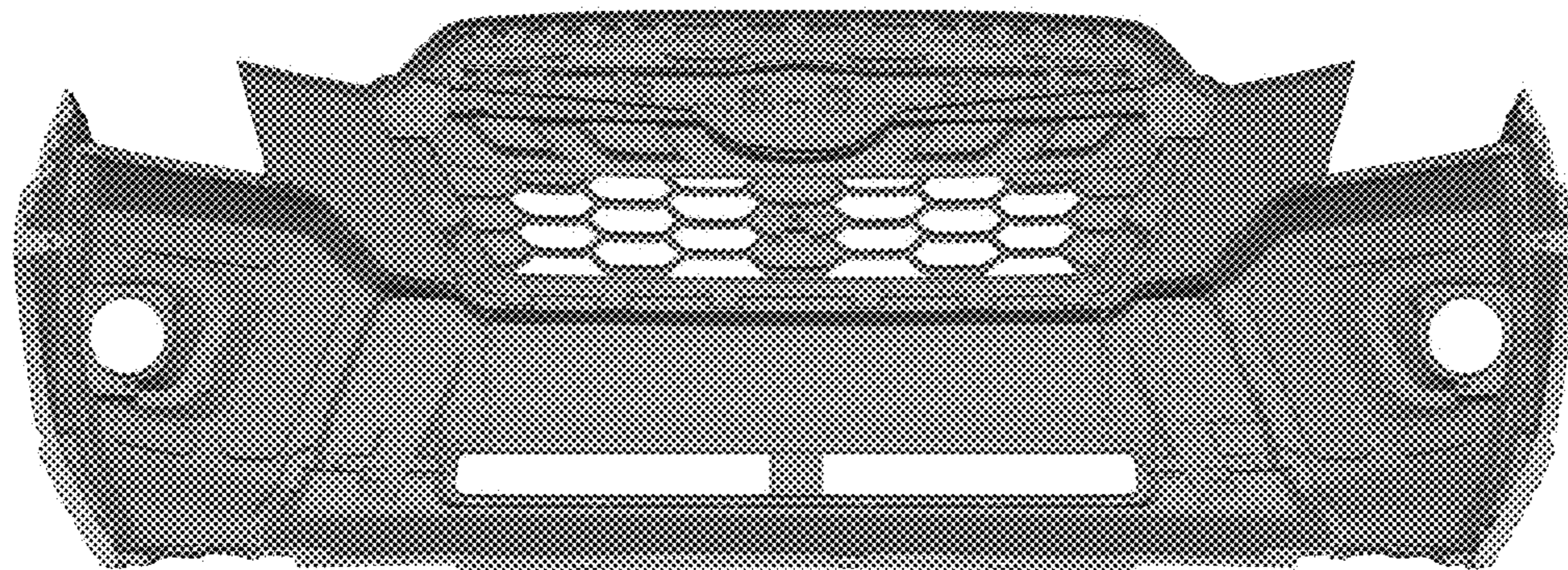


FIG. 5

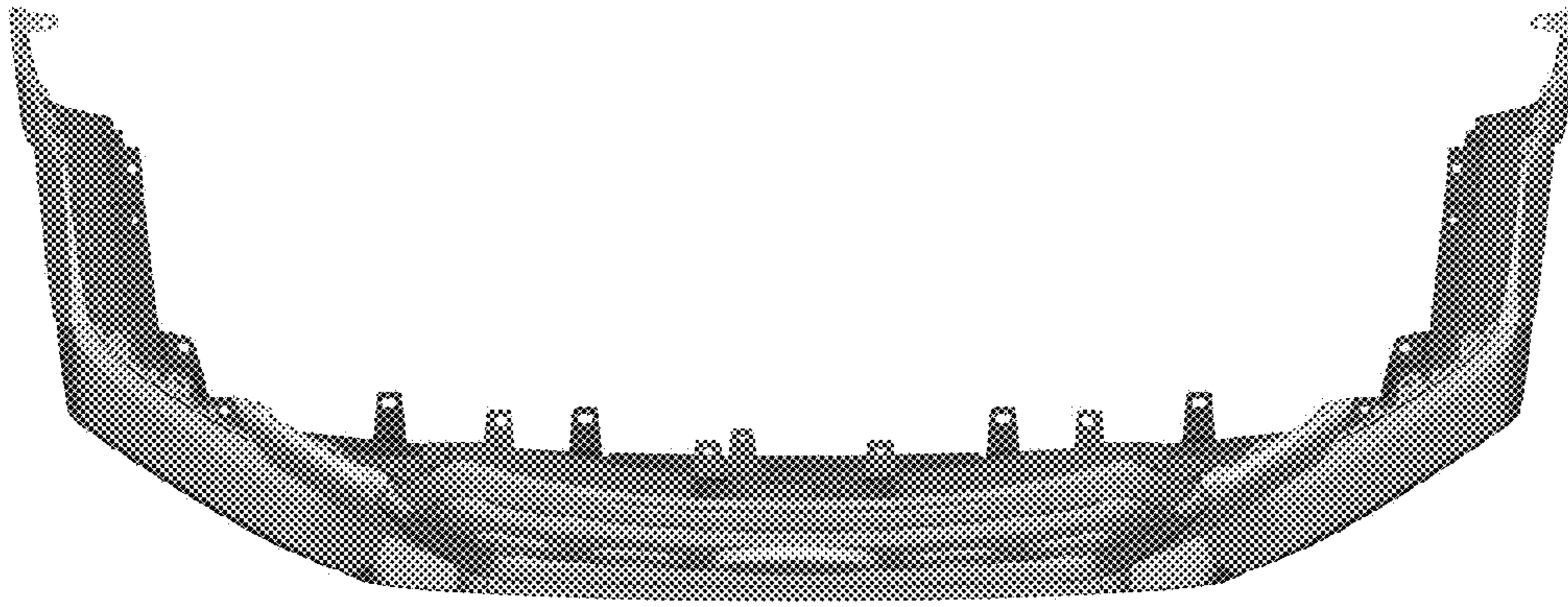


FIG. 6

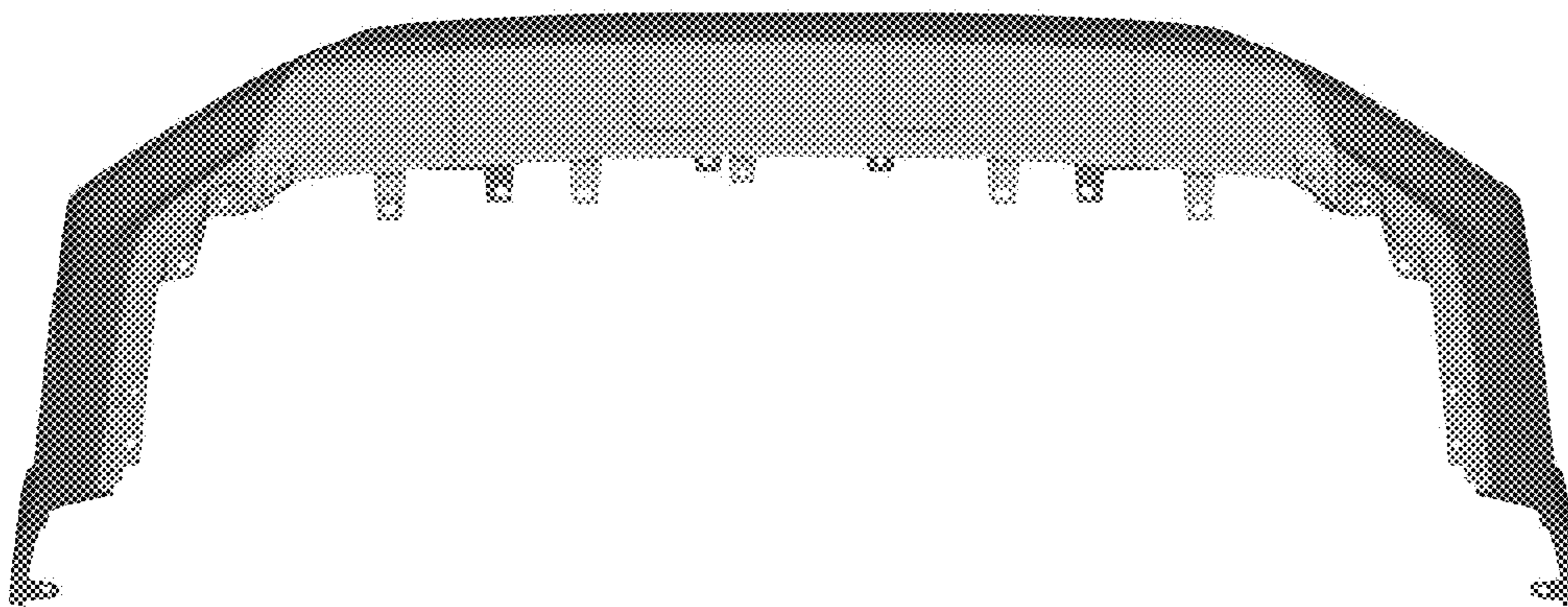


FIG. 7

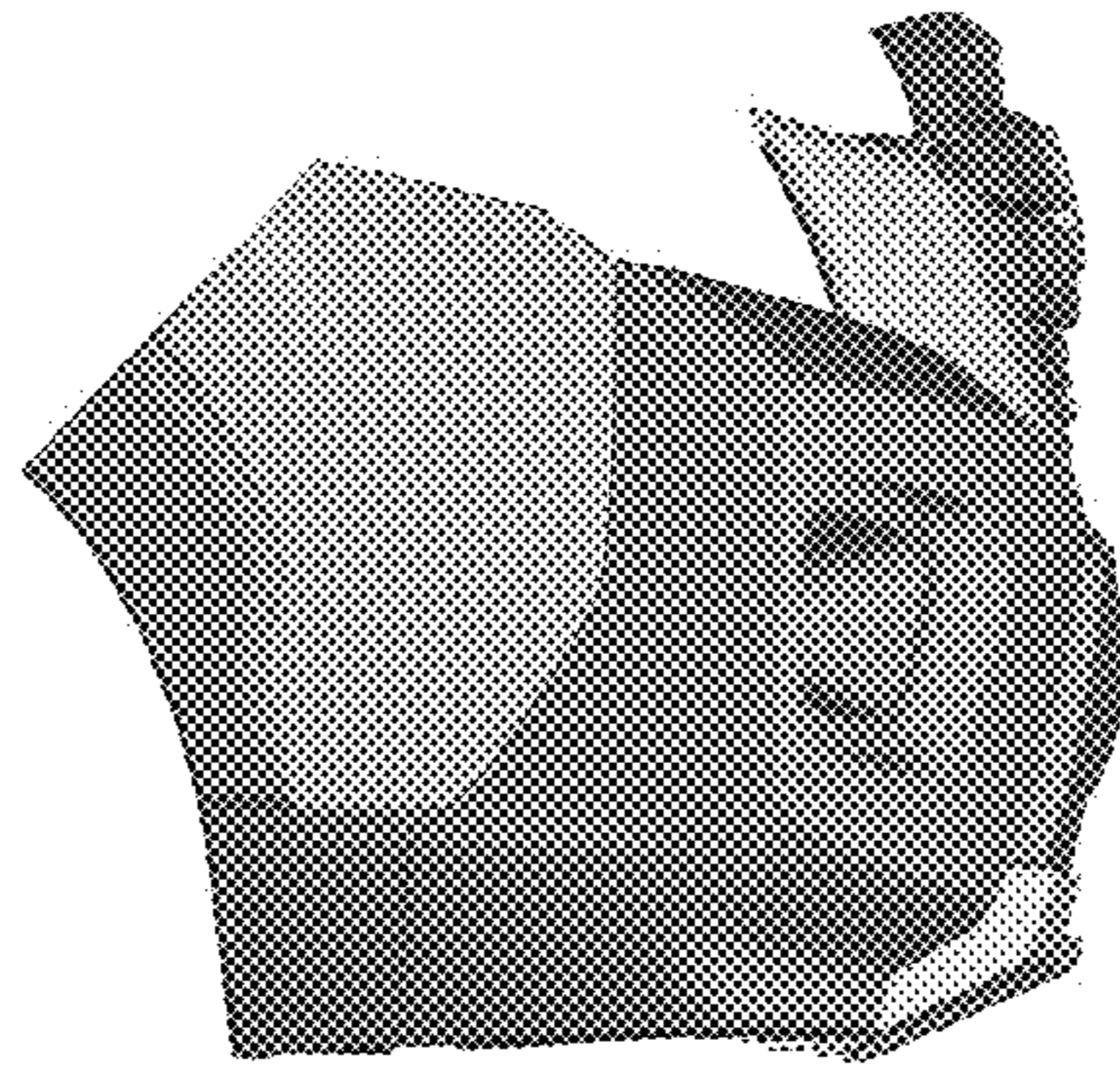


FIG. 8

