



US00D985437S

(12) **United States Design Patent**
Zhu

(10) **Patent No.:** **US D985,437 S**

(45) **Date of Patent:** **** May 9, 2023**

- (54) **VEHICLE GRILLE**
- (71) Applicant: **Shuhua Zhu**, Jiangsu (CN)
- (72) Inventor: **Shuhua Zhu**, Jiangsu (CN)
- (**) Term: **15 Years**
- (21) Appl. No.: **29/862,996**
- (22) Filed: **Dec. 14, 2022**
- (51) **LOC (14) Cl.** **12-03**
- (52) **U.S. Cl.**
USPC **D12/163**
- (58) **Field of Classification Search**
USPC D12/169, 196, 86, 90, 91, 92, 163, 190,
D12/98, 164
See application file for complete search history.

D934,748 S *	11/2021	Patel	D12/163
D953,213 S *	5/2022	Lim	B60B 7/02
				D12/163
D958,705 S *	7/2022	Kim	D12/163
D959,340 S *	8/2022	Kim	D12/163
D960,774 S *	8/2022	Ruiz	D12/163
D964,225 S *	9/2022	Kaoud	D12/163
D964,226 S *	9/2022	Kaoud	D12/163
D964,228 S *	9/2022	Kaoud	D12/163
D965,480 S	10/2022	Wilkins		
D972,985 S *	12/2022	Pan	D12/163
D972,986 S *	12/2022	Pan	D12/163

* cited by examiner

Primary Examiner — Khawaja Anwar

(57) **CLAIM**

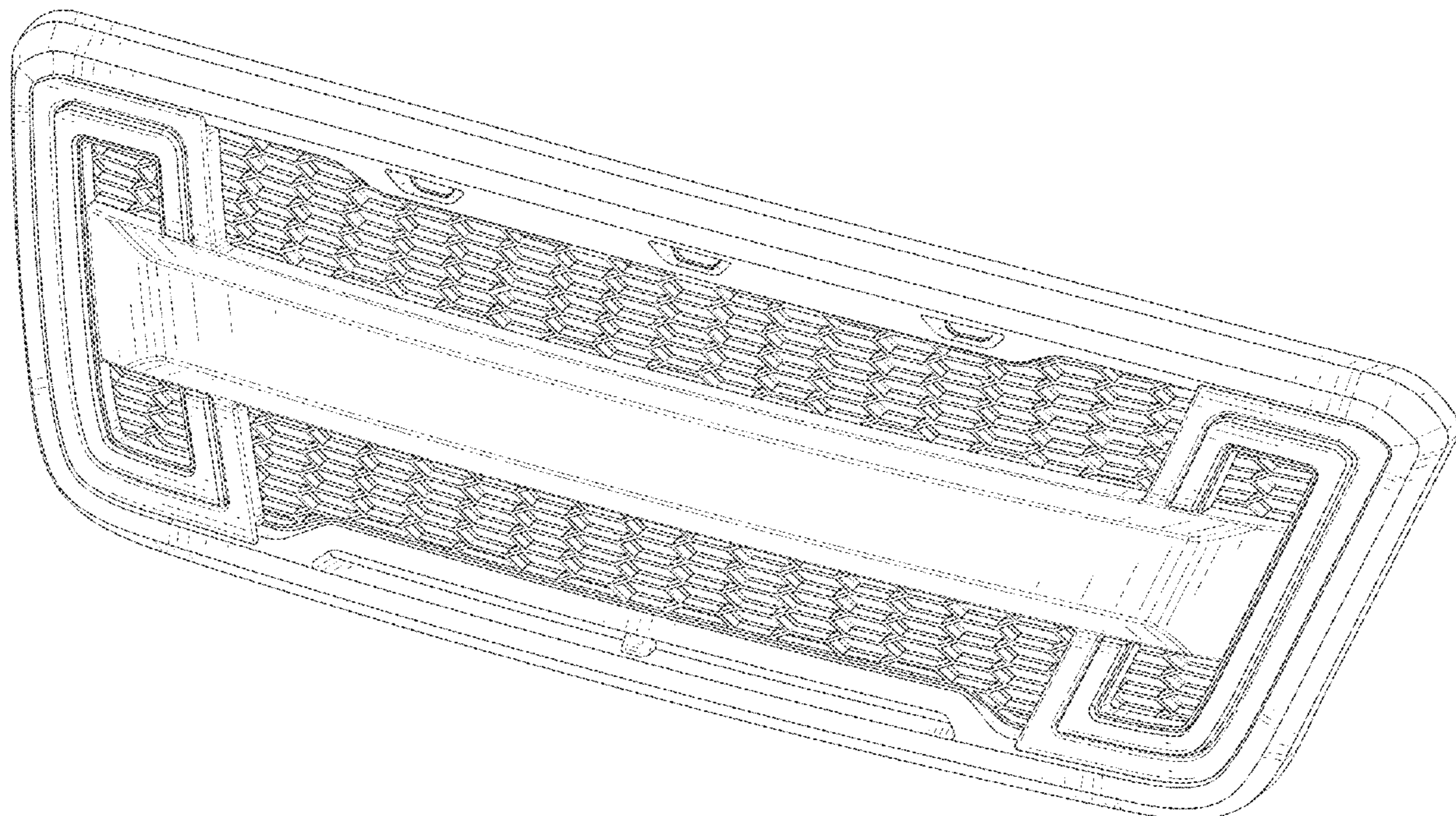
The ornamental design for a vehicle grille, as shown and described.

DESCRIPTION

FIG. 1 is a front and top perspective view of a vehicle grille, showing my new design;
 FIG. 2 is a rear and bottom perspective view thereof;
 FIG. 3 is a front elevation view thereof;
 FIG. 4 is a rear elevation view thereof;
 FIG. 5 is a left side elevation view thereof;
 FIG. 6 is a right side elevation view thereof;
 FIG. 7 is a top plan view thereof; and,
 FIG. 8 is a bottom plan view thereof.
 The broken lines in the figures illustrate portions of the vehicle grille that form no part of the claimed design.

1 Claim, 8 Drawing Sheets

- (56) **References Cited**
U.S. PATENT DOCUMENTS
- | | | | | |
|--------------|---------|-------------|-------|---------|
| D712,316 S * | 9/2014 | O'Donnell | | D12/163 |
| D836,502 S * | 12/2018 | Koo | | D12/163 |
| D865,580 S * | 11/2019 | Pollard | | D12/163 |
| D885,997 S * | 6/2020 | Platto | | D12/163 |
| D892,000 S * | 8/2020 | De Leon | | D12/163 |
| D920,181 S * | 5/2021 | Ponomarenko | | D12/163 |
| D922,266 S * | 6/2021 | Kaoud | | D12/163 |
| D922,268 S * | 6/2021 | Kaoud | | D12/163 |
| D928,671 S * | 8/2021 | Andoh | | D12/163 |
| D929,275 S * | 8/2021 | Hamilton | | D12/163 |
| D931,154 S * | 9/2021 | Park Cheng | | D12/163 |



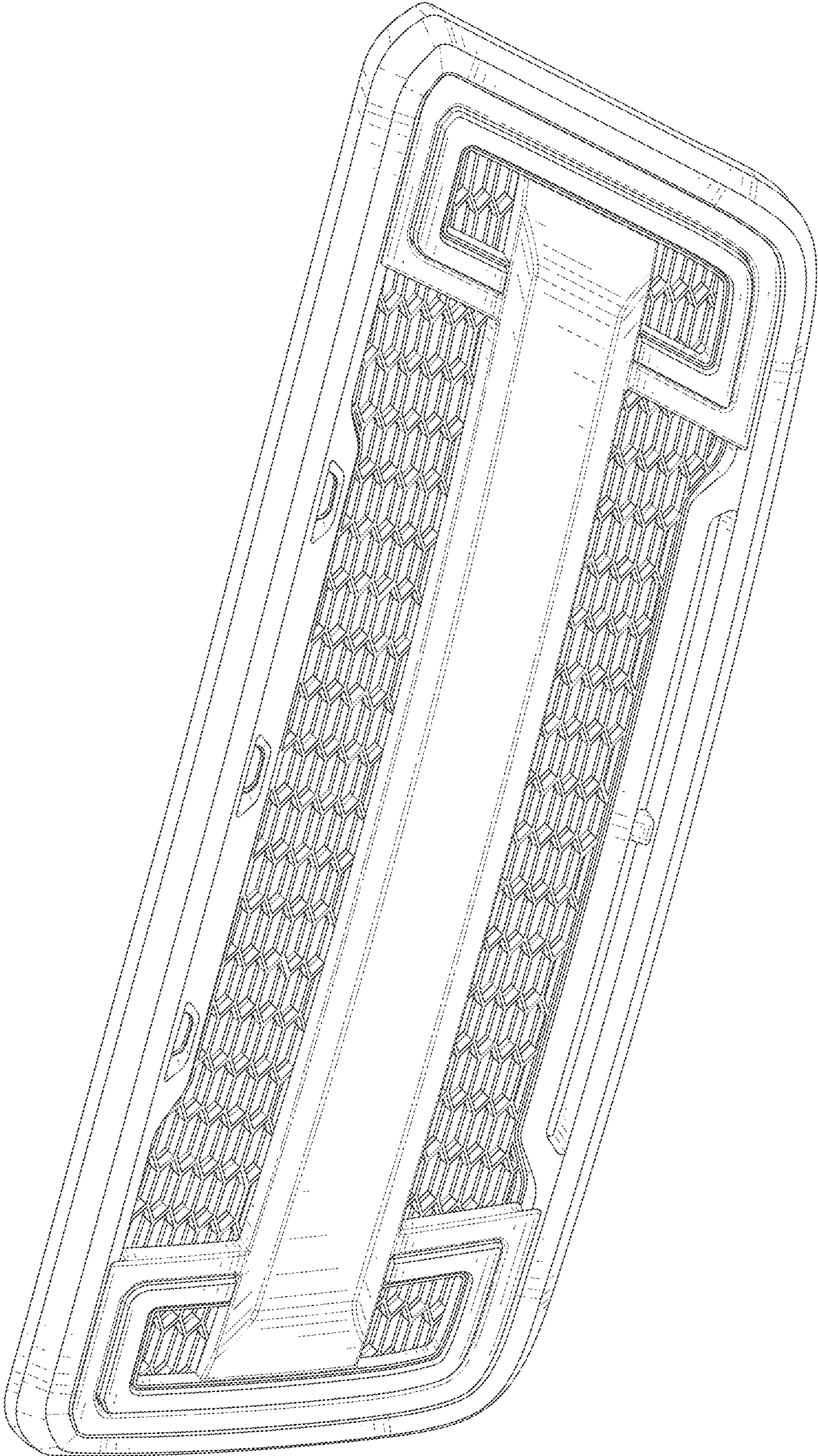


FIG. 1

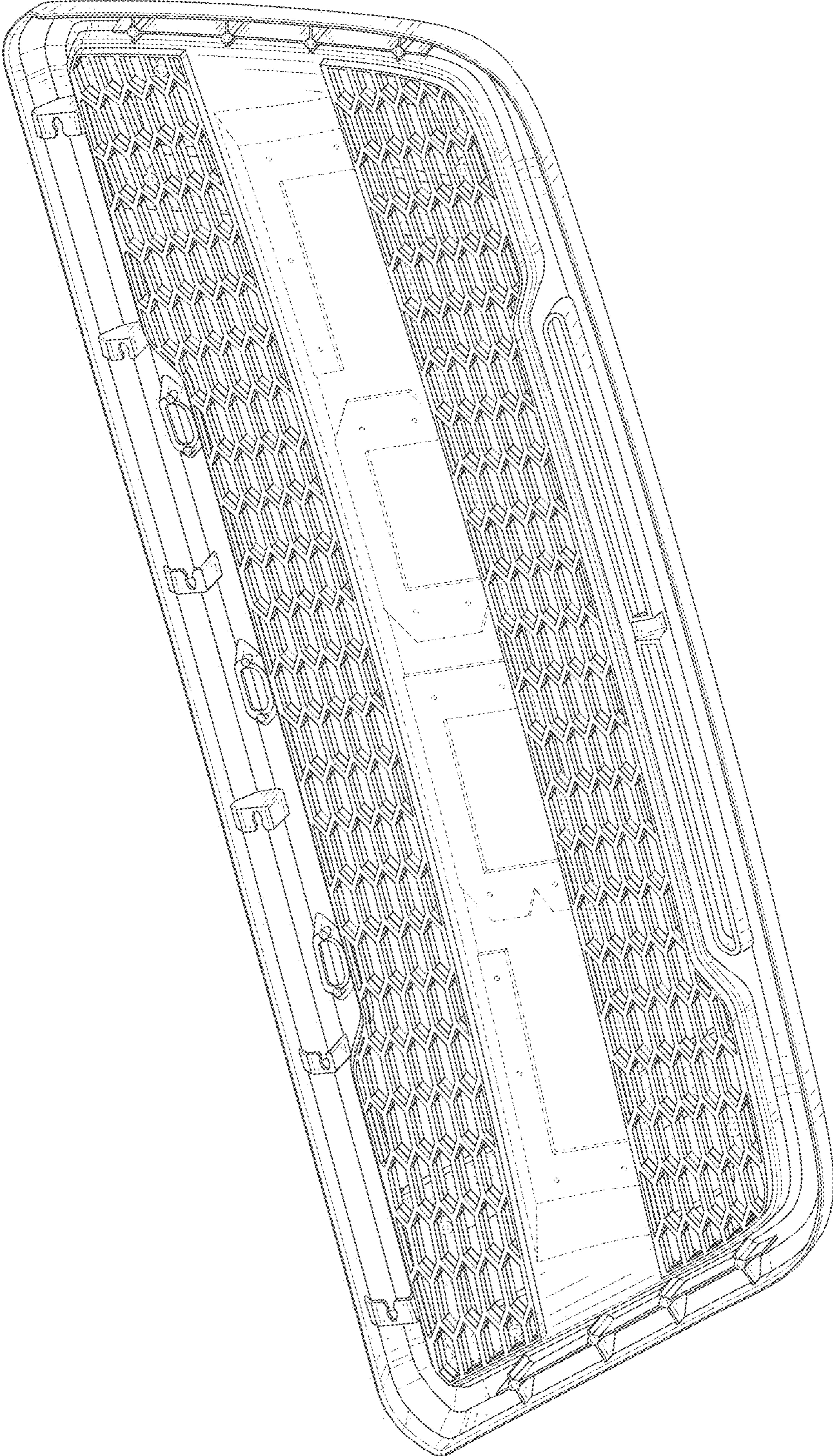


FIG. 2

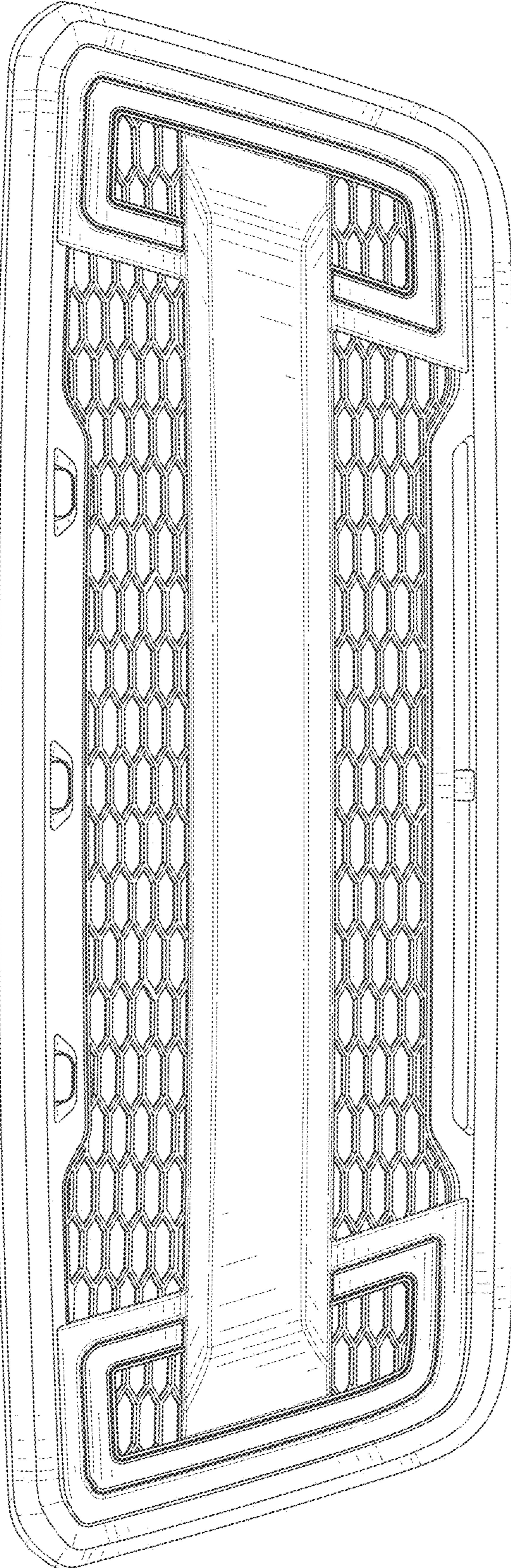


FIG. 3

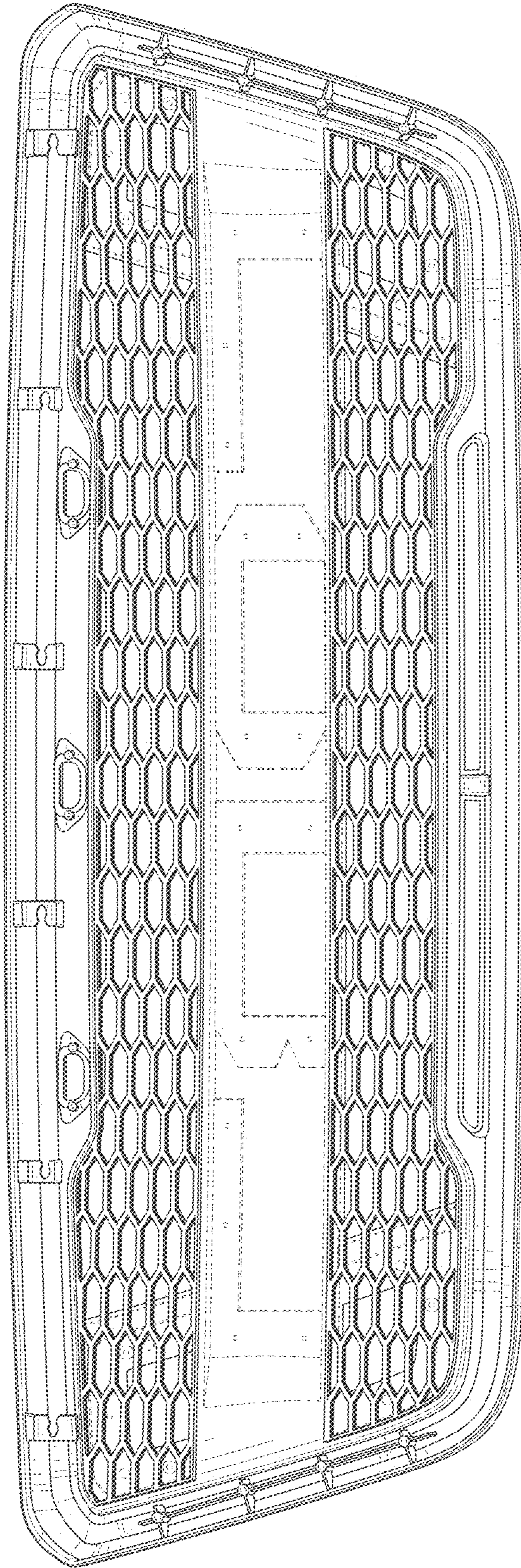


FIG. 4

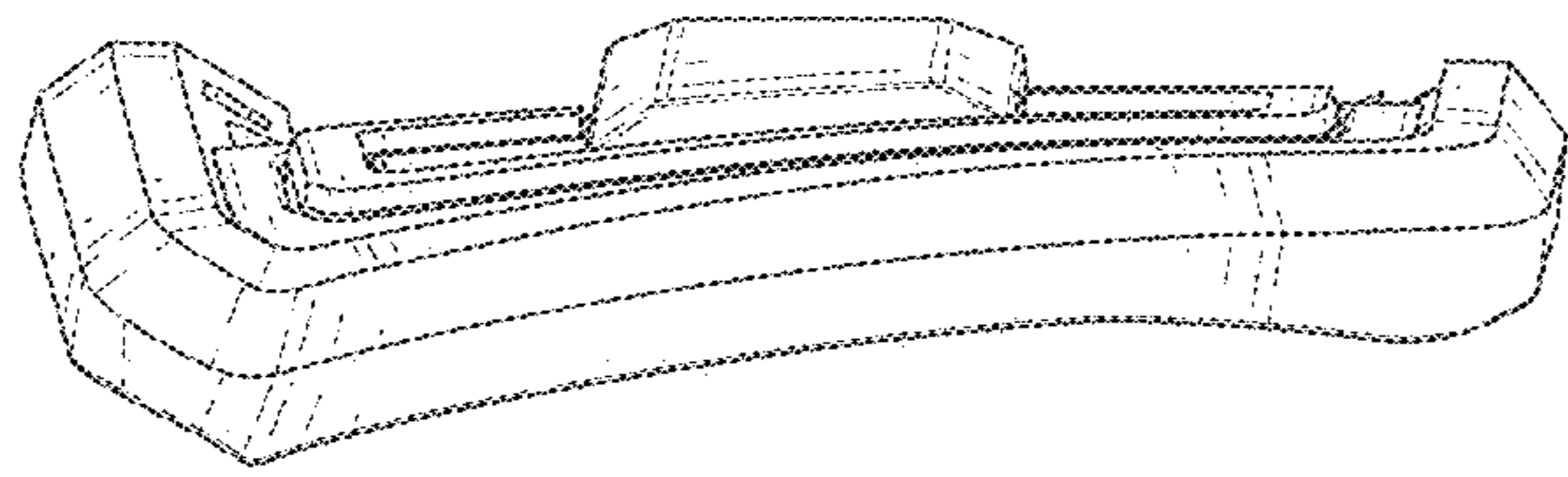


FIG. 5

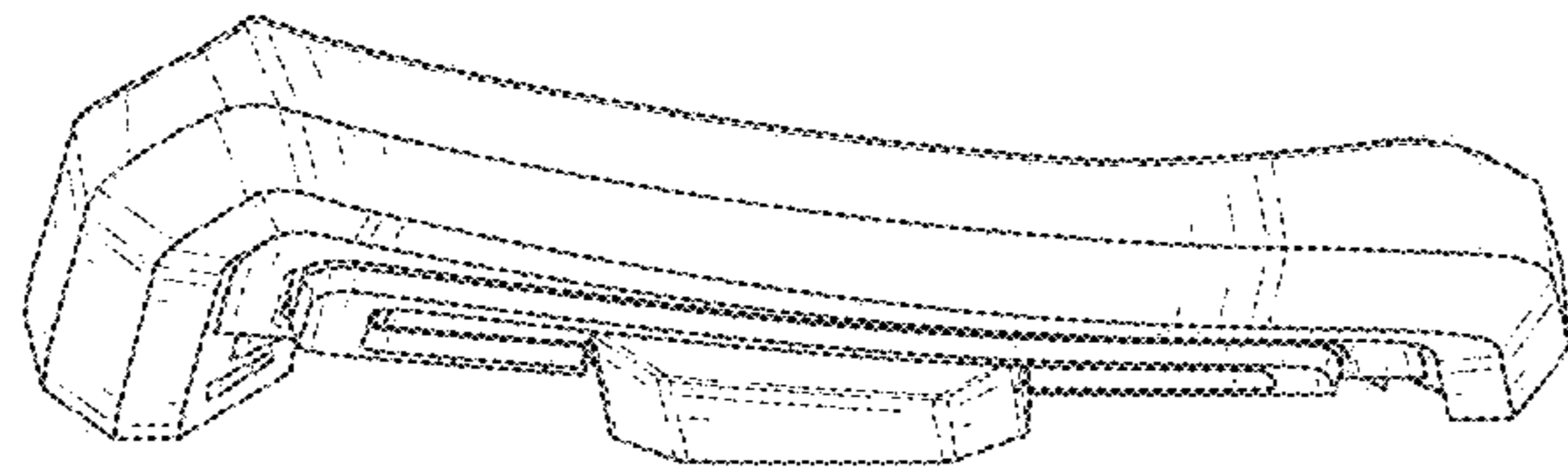


FIG. 6

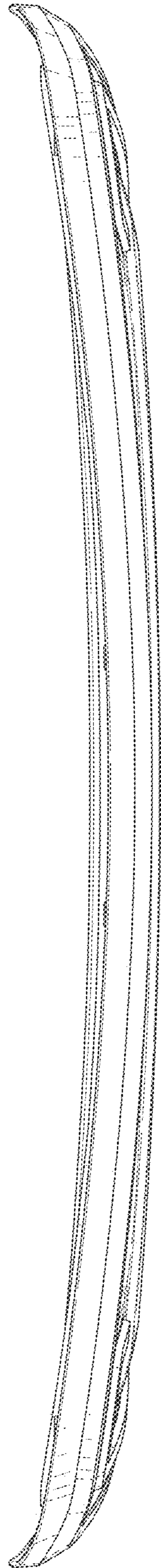


FIG. 7

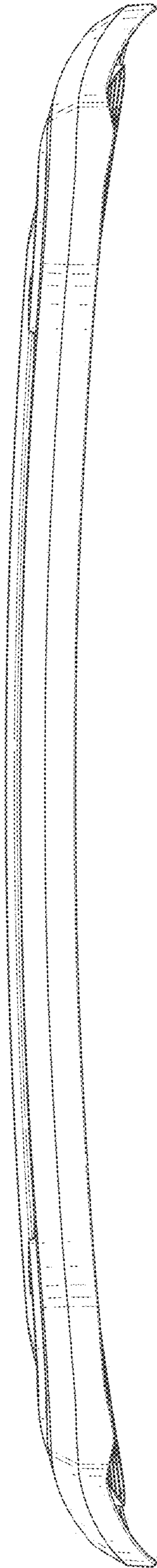


FIG. 8