



US00D985436S

(12) **United States Design Patent**
Zhu

(10) **Patent No.:** **US D985,436 S**

(45) **Date of Patent:** **** May 9, 2023**

- (54) **VEHICLE GRILLE**
- (71) Applicant: **Shuhua Zhu**, Jiangsu (CN)
- (72) Inventor: **Shuhua Zhu**, Jiangsu (CN)
- (**) Term: **15 Years**
- (21) Appl. No.: **29/862,783**
- (22) Filed: **Dec. 13, 2022**
- (51) **LOC (14) Cl.** **12-03**
- (52) **U.S. Cl.**
USPC **D12/163**
- (58) **Field of Classification Search**
USPC D12/169, 196, 86, 90, 91, 92, 163, 190,
D12/98, 164
See application file for complete search history.

D964,225 S *	9/2022	Kaoud	D12/163
D964,226 S *	9/2022	Kaoud	D12/163
D964,228 S *	9/2022	Kaoud	D12/163
D972,985 S *	12/2022	Pan	D12/163
D972,986 S *	12/2022	Pan	D12/163

* cited by examiner

Primary Examiner — Khawaja Anwar

(57) **CLAIM**

The ornamental design for a vehicle grille, as shown and described.

DESCRIPTION

FIG. 1 is a front and top perspective view of a vehicle grille, showing my new design;
 FIG. 2 is a rear and bottom perspective view thereof;
 FIG. 3 is a front elevation view thereof;
 FIG. 4 is a rear elevation view thereof;
 FIG. 5 is a left side elevation view thereof;
 FIG. 6 is a right side elevation view thereof;
 FIG. 7 is a top plan view thereof;
 FIG. 8 is a bottom plan view thereof;
 FIG. 9 is an enlarged perspective view of detail “9” identified in FIG. 1;
 FIG. 10 is an enlarged perspective view of detail “10” identified in FIG. 3;
 FIG. 11 is an enlarged perspective view of detail “11” identified in FIG. 5; and,
 FIG. 12 is an enlarged perspective view of detail “12” identified in FIG. 8.

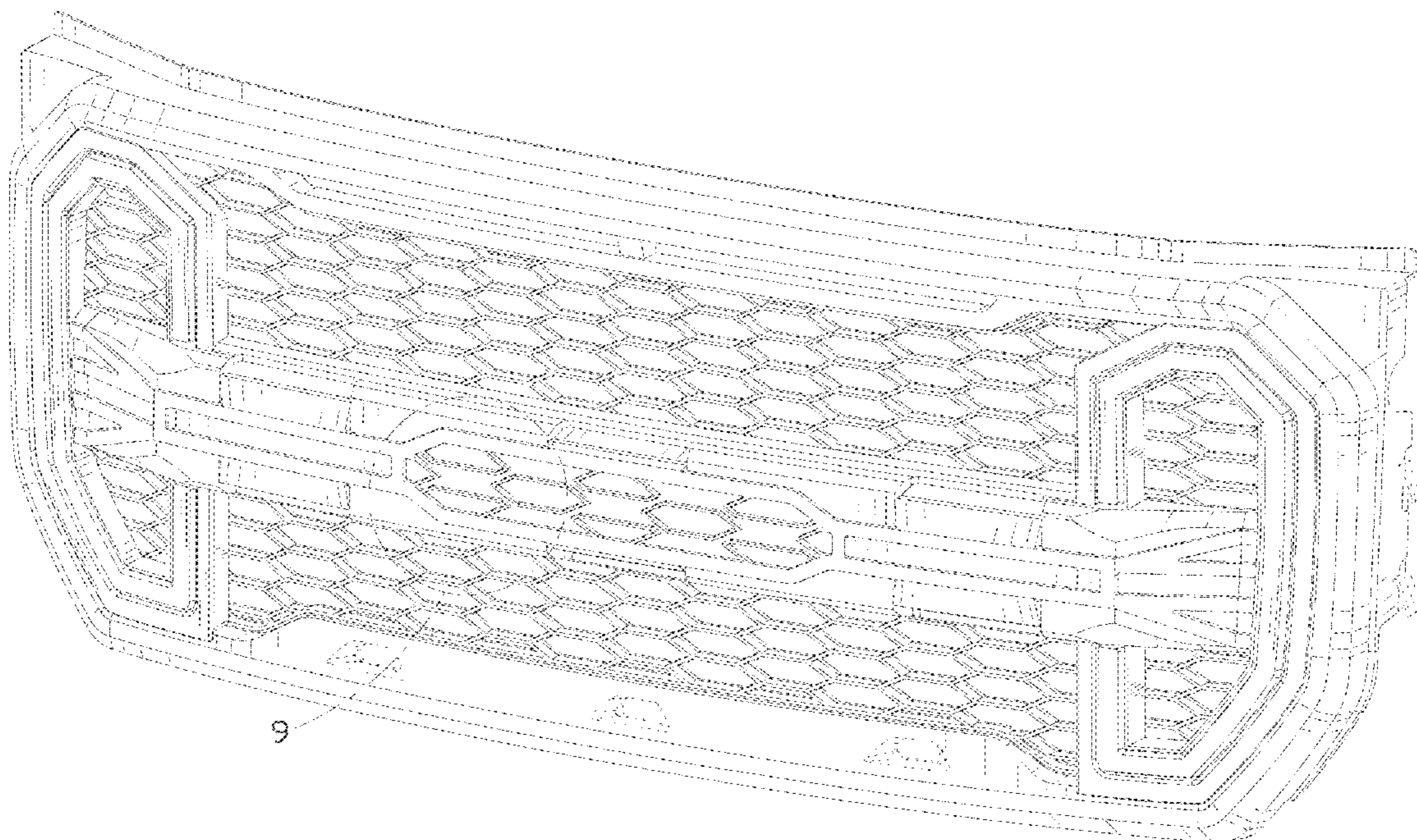
The dashed lines in the figures illustrate portions of the vehicle grille that form no part of the claimed design. The dash dot dash lines in FIGS. 1, 3, 5, 8, 9, 10, 11 and 12 are for the purpose of illustrating the enlarged views indicators and form no part of the claimed design.

1 Claim, 12 Drawing Sheets

(56) **References Cited**

U.S. PATENT DOCUMENTS

D712,316 S *	9/2014	O'Donnell	D12/163
D836,502 S *	12/2018	Koo	D12/163
D865,580 S *	11/2019	Pollard	D12/163
D885,997 S *	6/2020	Platto	D12/163
D892,000 S *	8/2020	De Leon	D12/163
D920,181 S *	5/2021	Ponomarenko	D12/163
D922,266 S *	6/2021	Kaoud	D12/163
D922,268 S *	6/2021	Kaoud	D12/163
D928,671 S *	8/2021	Andoh	D12/163
D929,275 S *	8/2021	Hamilton	D12/163
D931,154 S *	9/2021	Park Cheng	D12/163
D934,748 S *	11/2021	Patel	D12/163
D939,393 S	12/2021	Jevremovic	
D953,213 S *	5/2022	Lim	B60B 7/02 D12/163
D958,705 S *	7/2022	Kim	D12/163
D959,340 S *	8/2022	Kim	D12/163
D960,774 S *	8/2022	Ruiz	D12/163



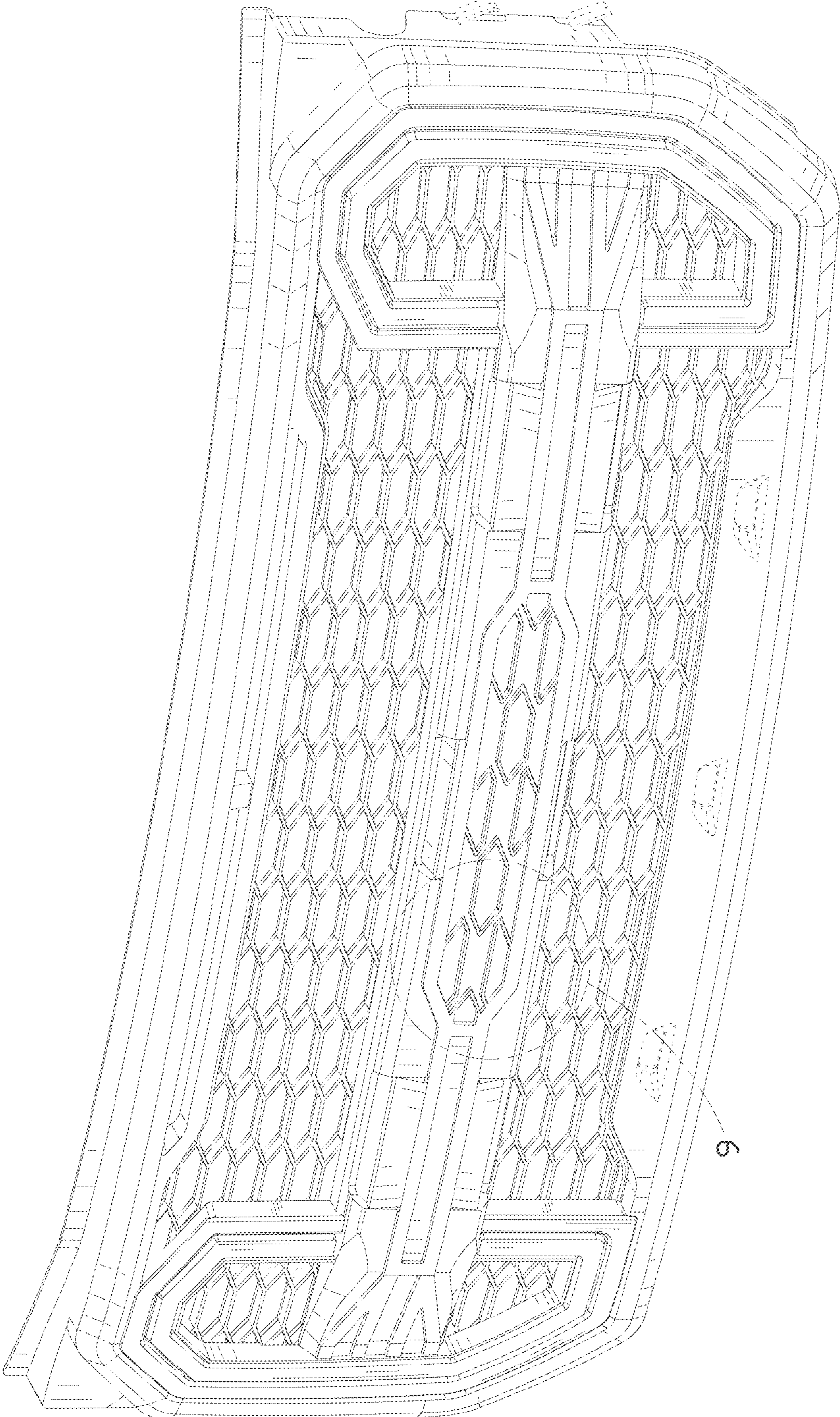


FIG. 1

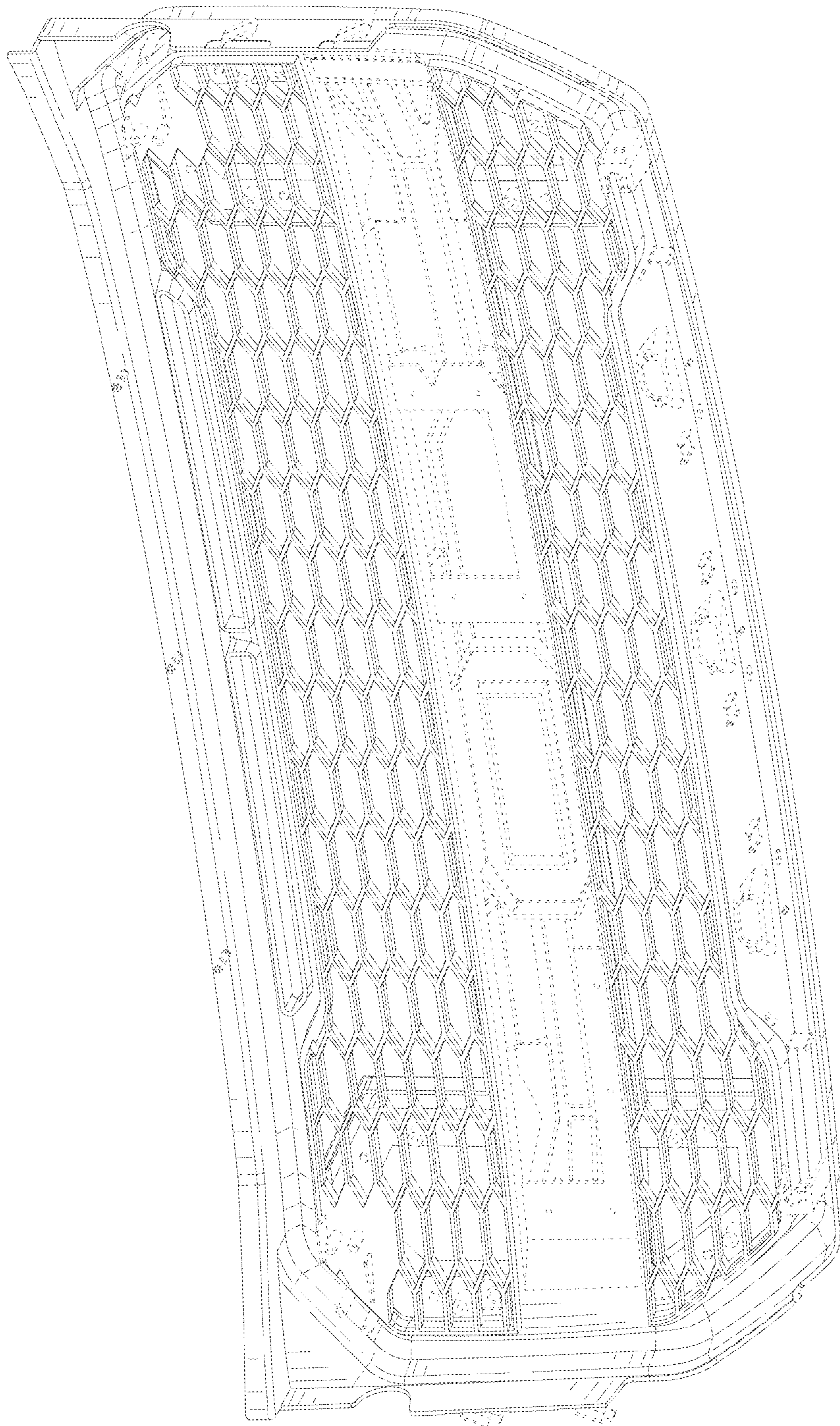


FIG. 2

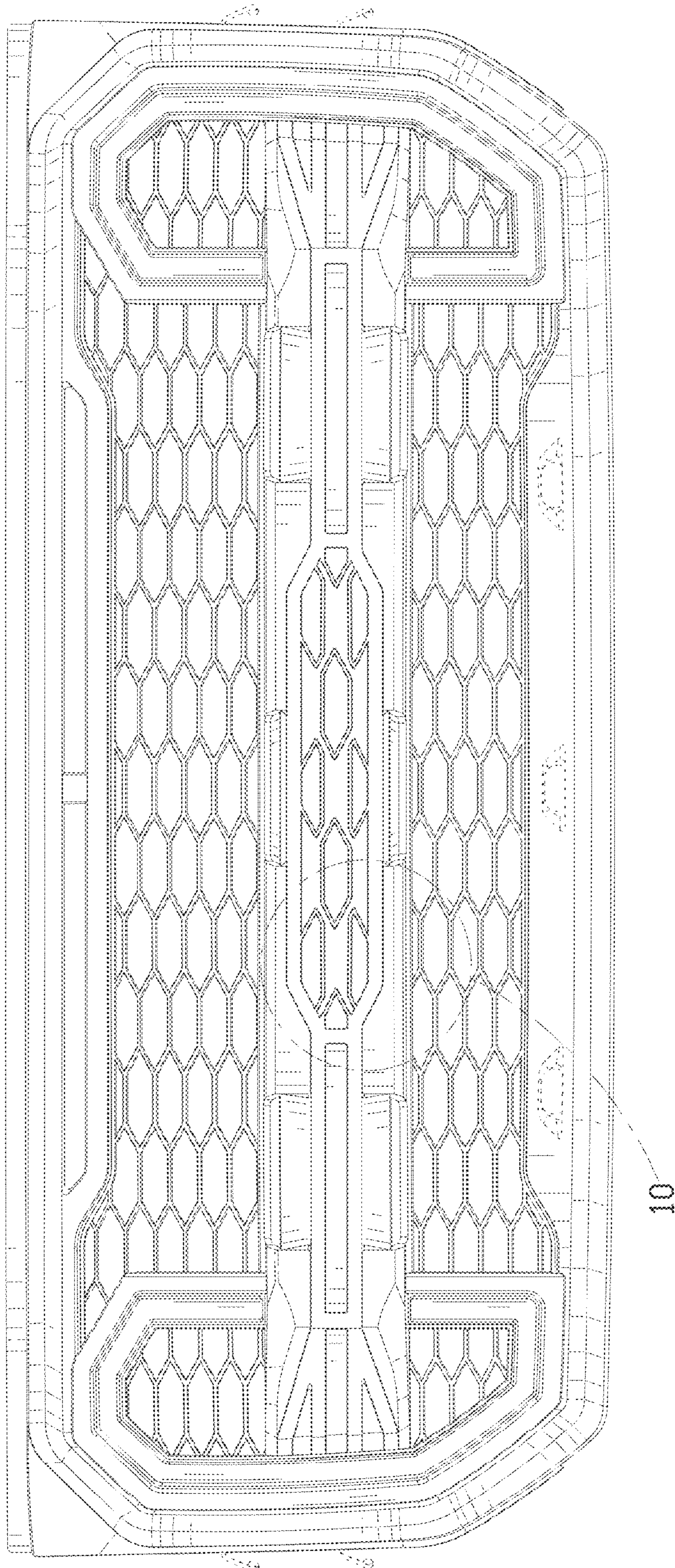


FIG. 3

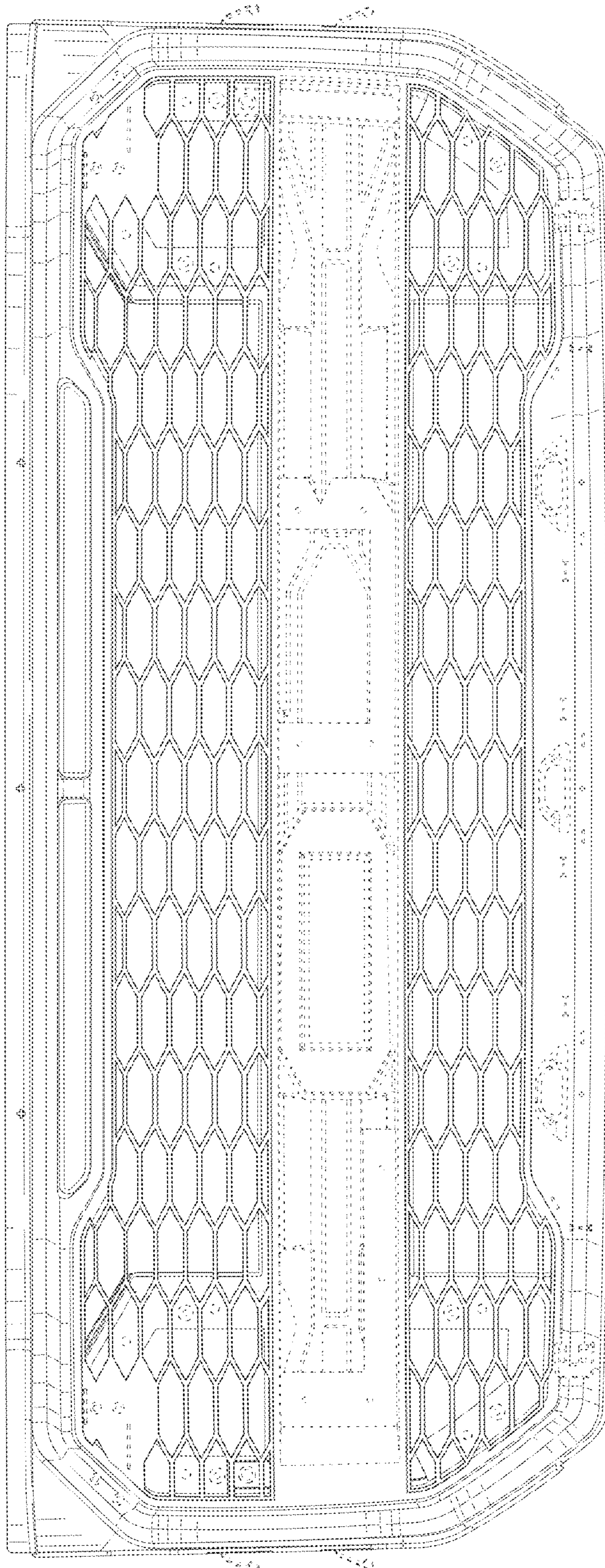


FIG. 4

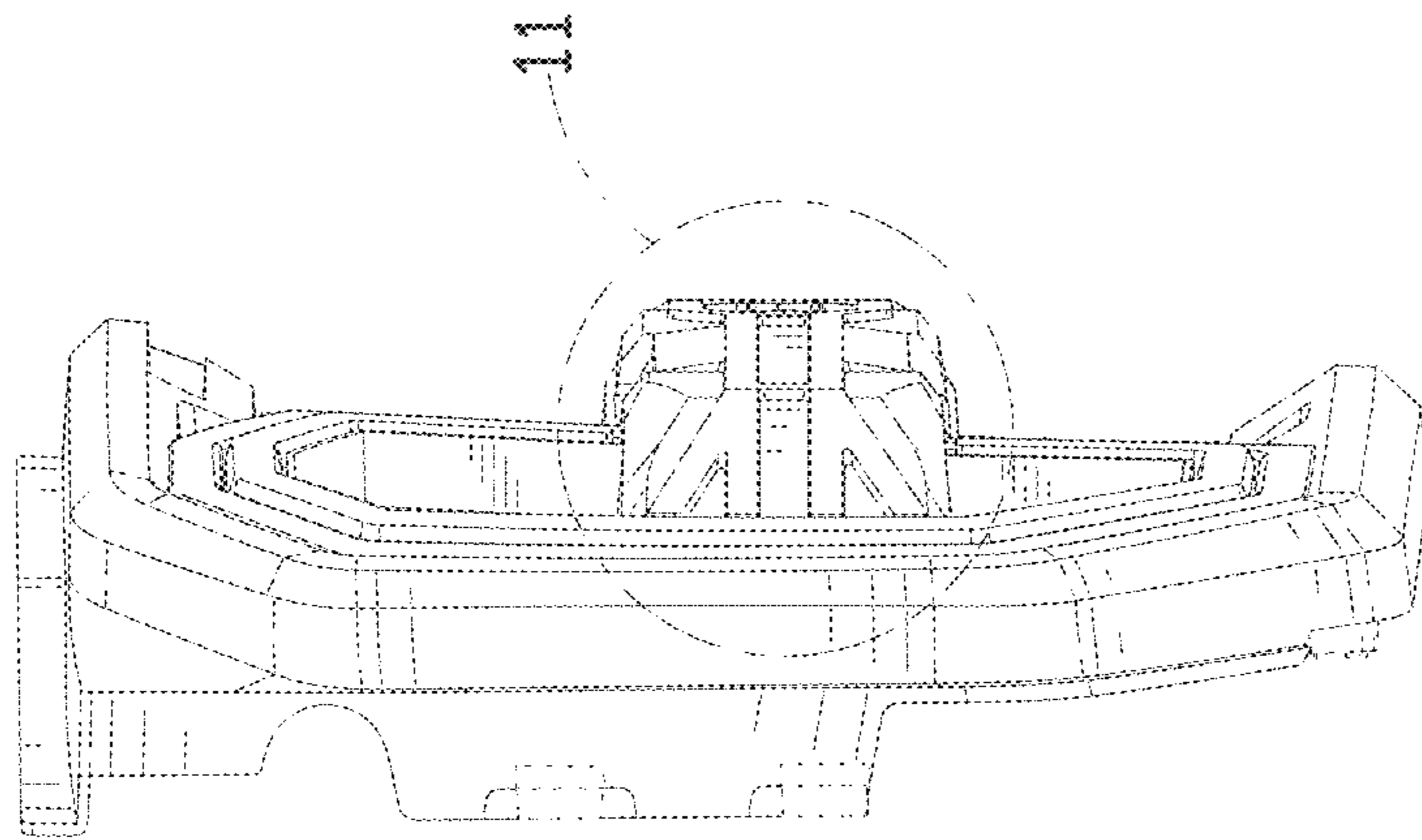


FIG. 5

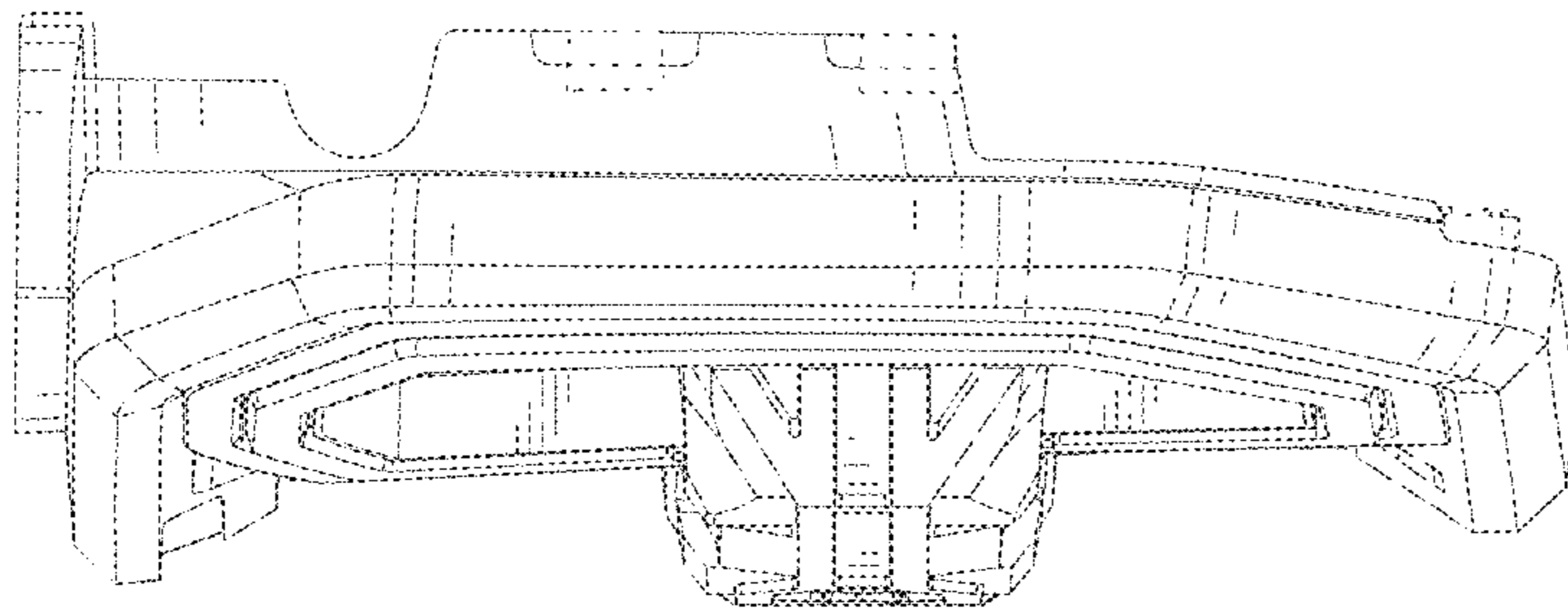


FIG. 6

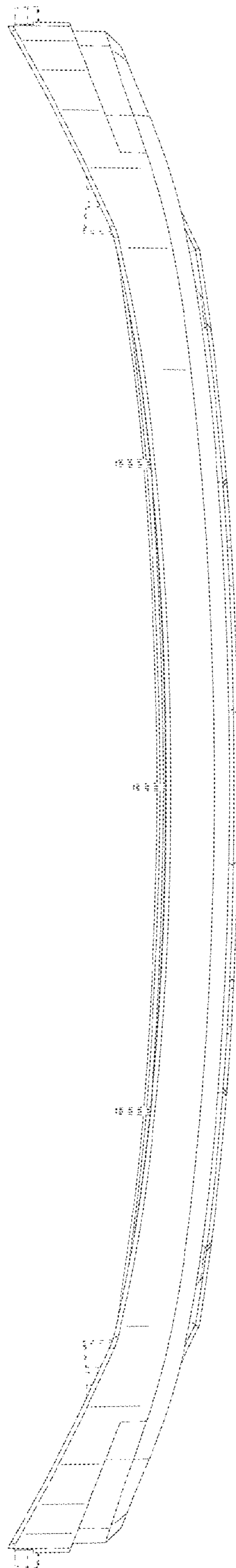


FIG. 7

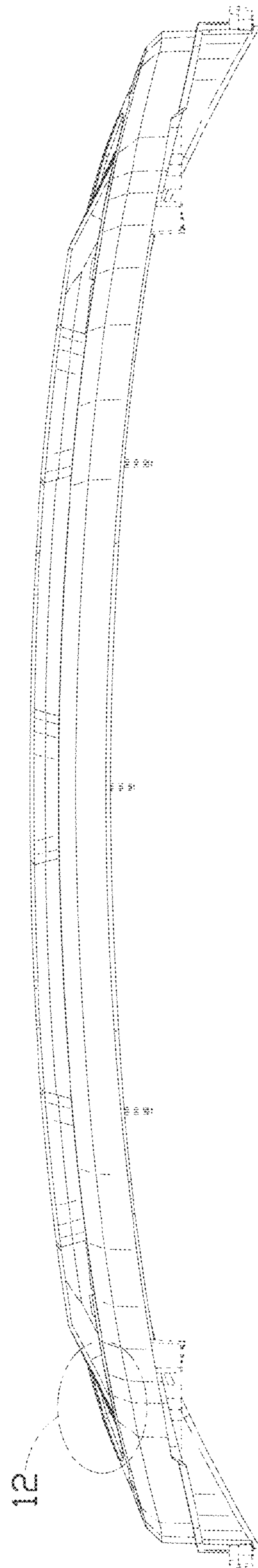


FIG. 8

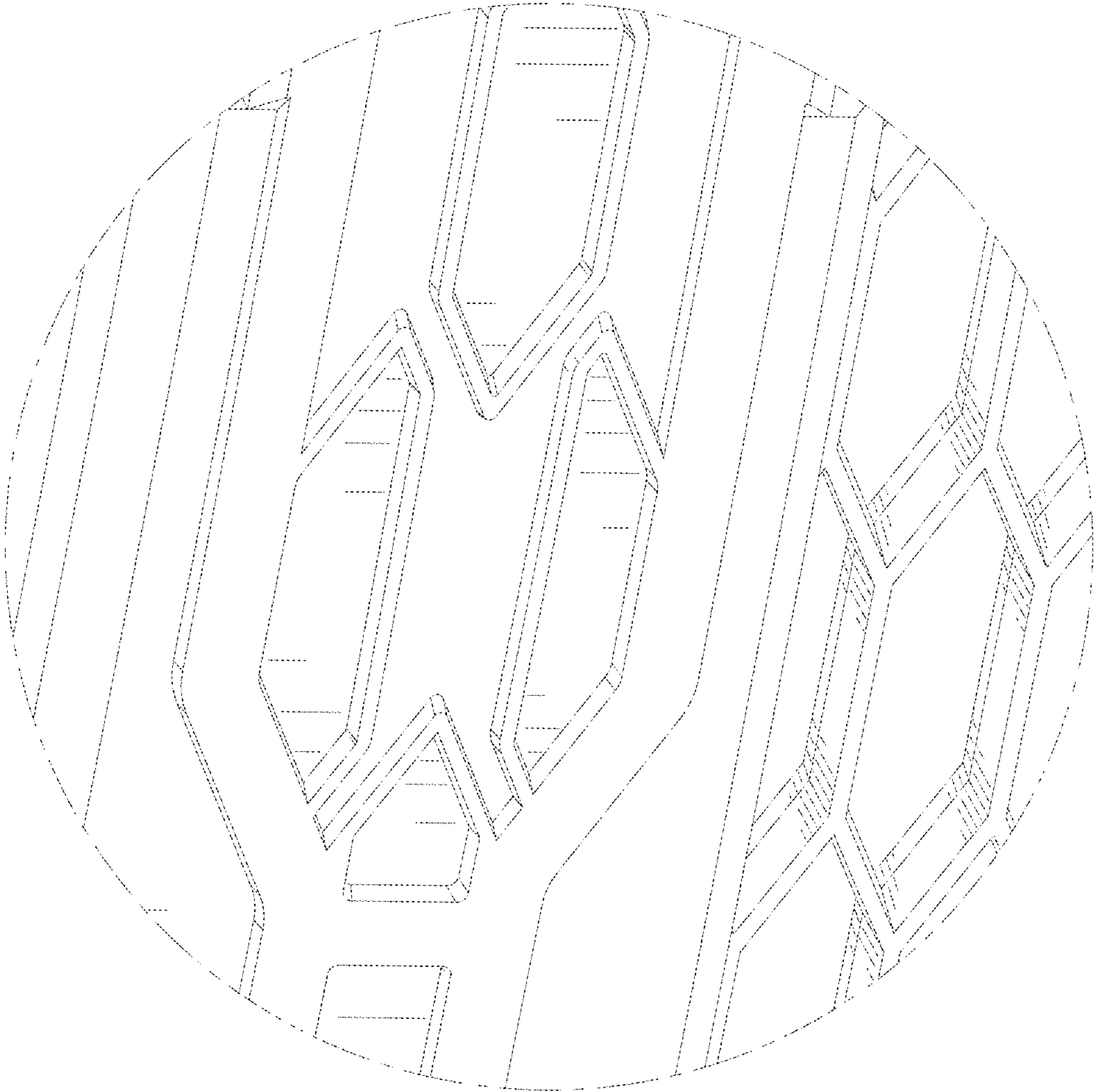


FIG. 9

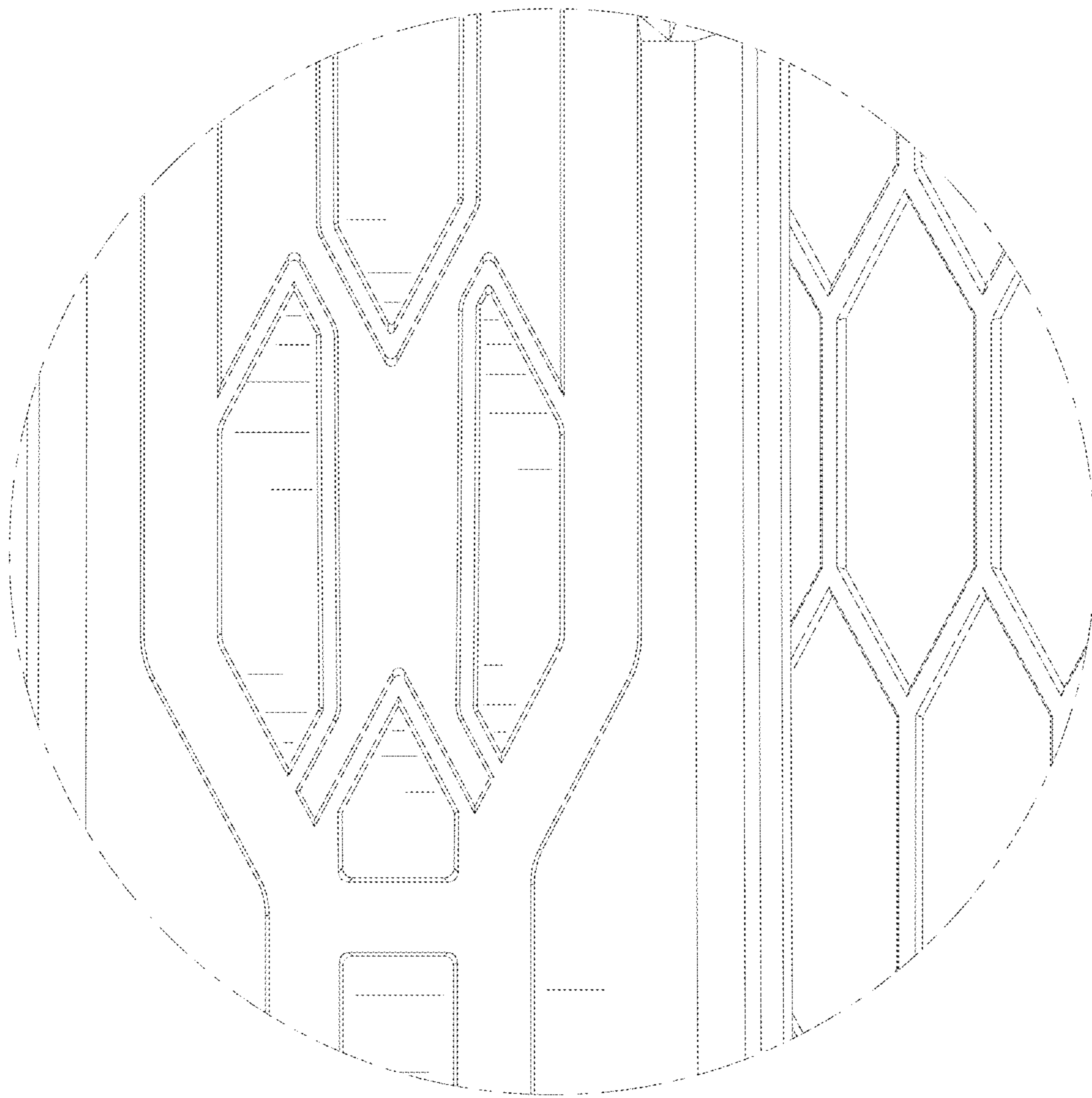


FIG. 10

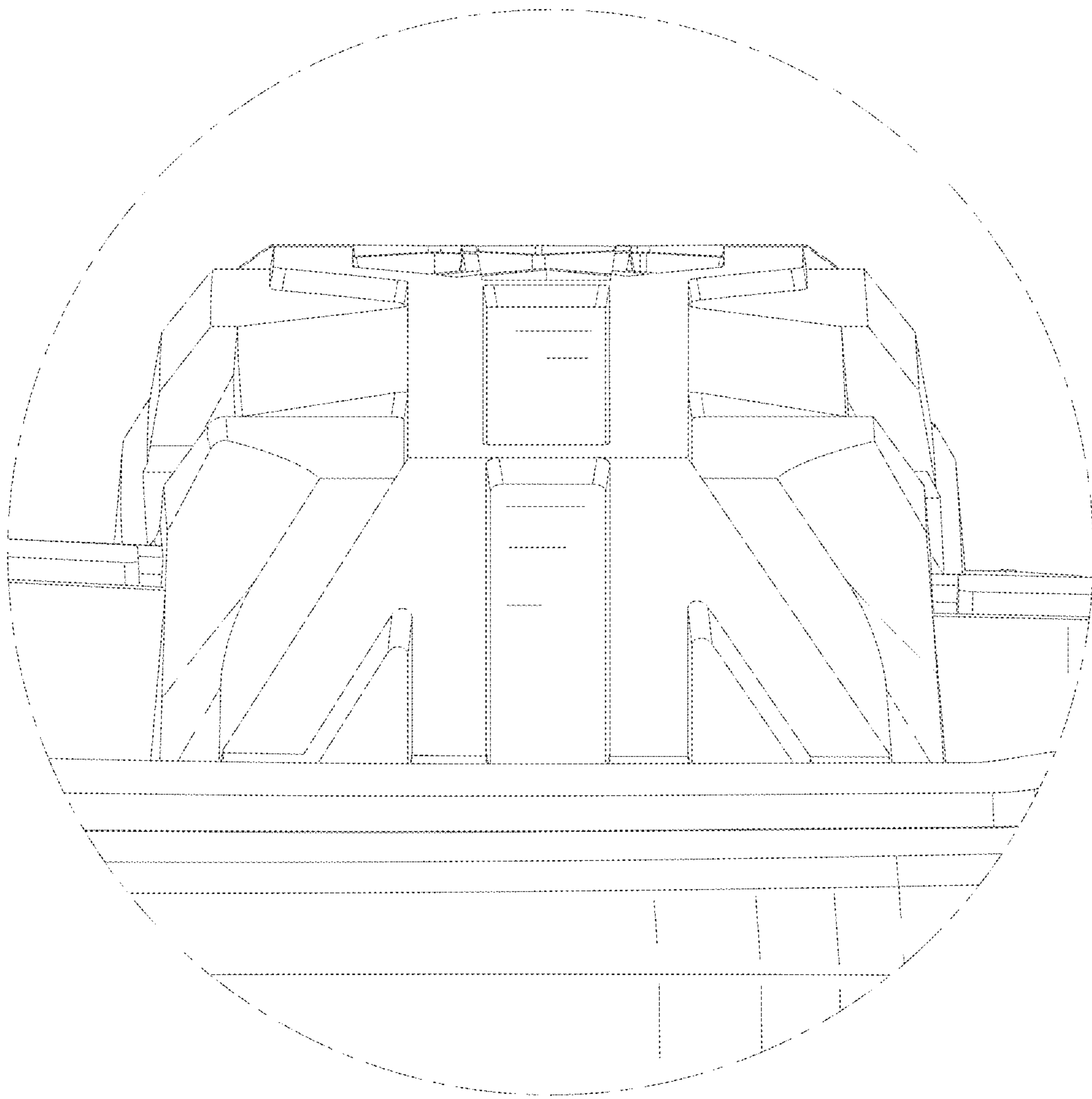


FIG. 11

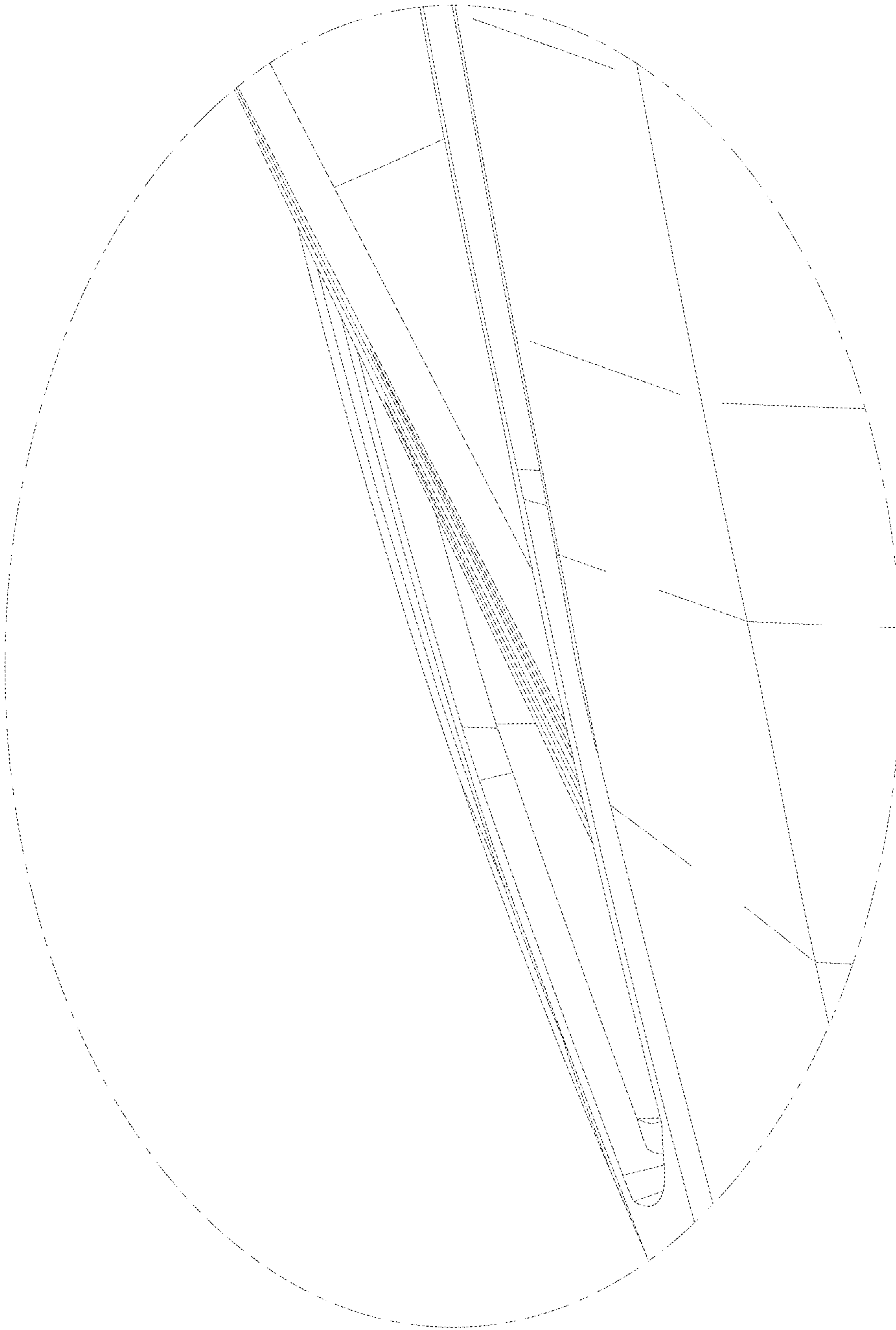


FIG. 12