



US00D985432S

(12) **United States Design Patent**
Koller et al.

(10) **Patent No.:** **US D985,432 S**
(45) **Date of Patent:** **** *May 9, 2023**

(54) **SEAT PART FOR A STROLLER TRAILER FOR CHILDREN OR JOGGING STROLLER**

(71) Applicant: **CYBEX GmbH**, Bayreuth (DE)

(72) Inventors: **Peter Koller**, Bayreuth (DE); **Johannes Zurwesten**, Bayreuth (DE); **Melissa van Duzer**, Bayreuth (DE); **Hannah Buchwald**, Bayreuth (DE)

D356,761 S * 3/1995 Jacobs D12/114
D384,010 S * 9/1997 Chiu D12/102
D400,476 S * 11/1998 Winchester D12/102
6,705,628 B2 * 3/2004 Kahmann B62B 7/06
280/204
6,896,275 B1 * 5/2005 Liu B62K 27/12
280/204
D508,220 S * 8/2005 Spriggs D12/129
7,341,265 B1 * 3/2008 Liu B62K 27/12
280/204

(Continued)

(*) Notice: This patent is subject to a terminal disclaimer.

(**) Term: **15 Years**

(21) Appl. No.: **35/511,587**

(22) Filed: **Sep. 25, 2020**

(80) **Hague Agreement Data**

Int. Filing Date: **Sep. 25, 2020**
Int. Reg. No.: **DM/210998**
Int. Reg. Date: **Sep. 25, 2020**
Int. Reg. Pub. Date: **Mar. 26, 2021**

(51) **LOC (14) Cl.** **12-12**

(52) **U.S. Cl.**
USPC **D12/129**

(58) **Field of Classification Search**
USPC D12/128–133
CPC B62B 7/00; B62B 7/02; B62B 7/04; B62B 9/00; B62B 9/02; B62B 9/12; B62B 9/142; B62B 9/104; B62B 9/14; B62B 9/28

See application file for complete search history.

(56) **References Cited**

U.S. PATENT DOCUMENTS

5,020,814 A * 6/1991 George B62K 27/003
280/401
D340,429 S * 10/1993 Smith D12/102
5,267,744 A * 12/1993 Berry B62K 27/12
280/658

OTHER PUBLICATIONS

“Cybex Gold—ZENO.” Cybex., Dec. 1, 2020 [online], [retrieved on Aug. 7, 2022]. Retrieved from the Internet <URL: https://images.cybex-online.com/image/upload/cbo/manuals/cy_171_7444_b1220_zeno_ug_print-6059b83b3c858>.*

(Continued)

Primary Examiner — Darlington Ly

(57) **CLAIM**

The ornamental design for a seat part for a stroller, trailer for children or jogging stroller, as shown and described.

DESCRIPTION

1. Seat part for a stroller, trailer for children or jogging stroller

1.1 is a front perspective view of a seat part for a stroller trailer for children or jogging stroller embodying our new design;

1.2 is a front elevation view thereof;

1.3 is a rear elevation view thereof;

1.4 is a left side elevation view thereof;

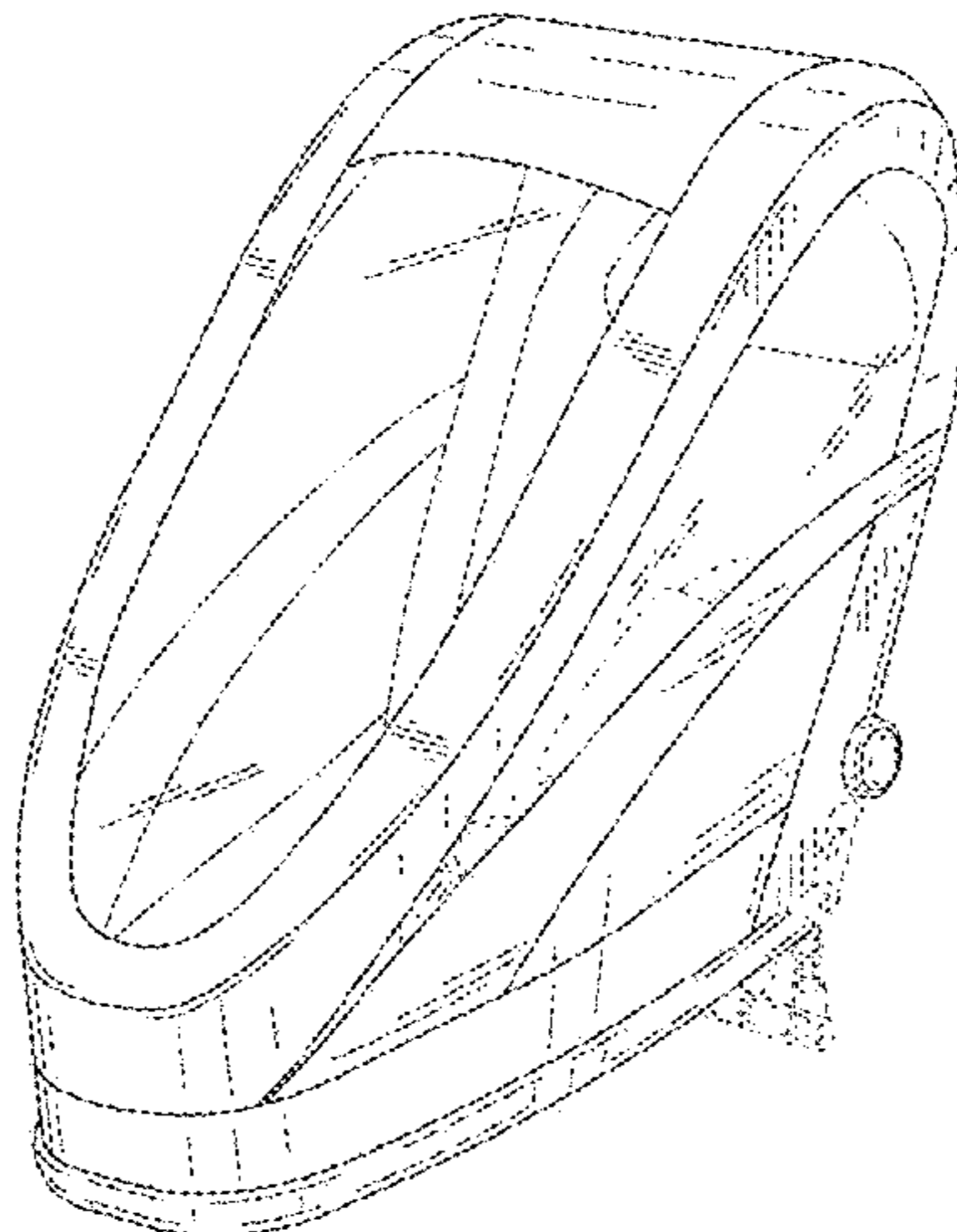
1.5 is a right side elevation view thereof;

1.6 is a top plan view thereof; and

1.7 is a bottom plan view thereof.

The even dash-dash broken lines in the drawings illustrate portions of the seat part for a stroller trailer for children or jogging stroller that form no part of the claimed design. The dash-dot broken lines in the drawing illustrate boundaries of the claimed design.

1 Claim, 7 Drawing Sheets



(56)

References Cited

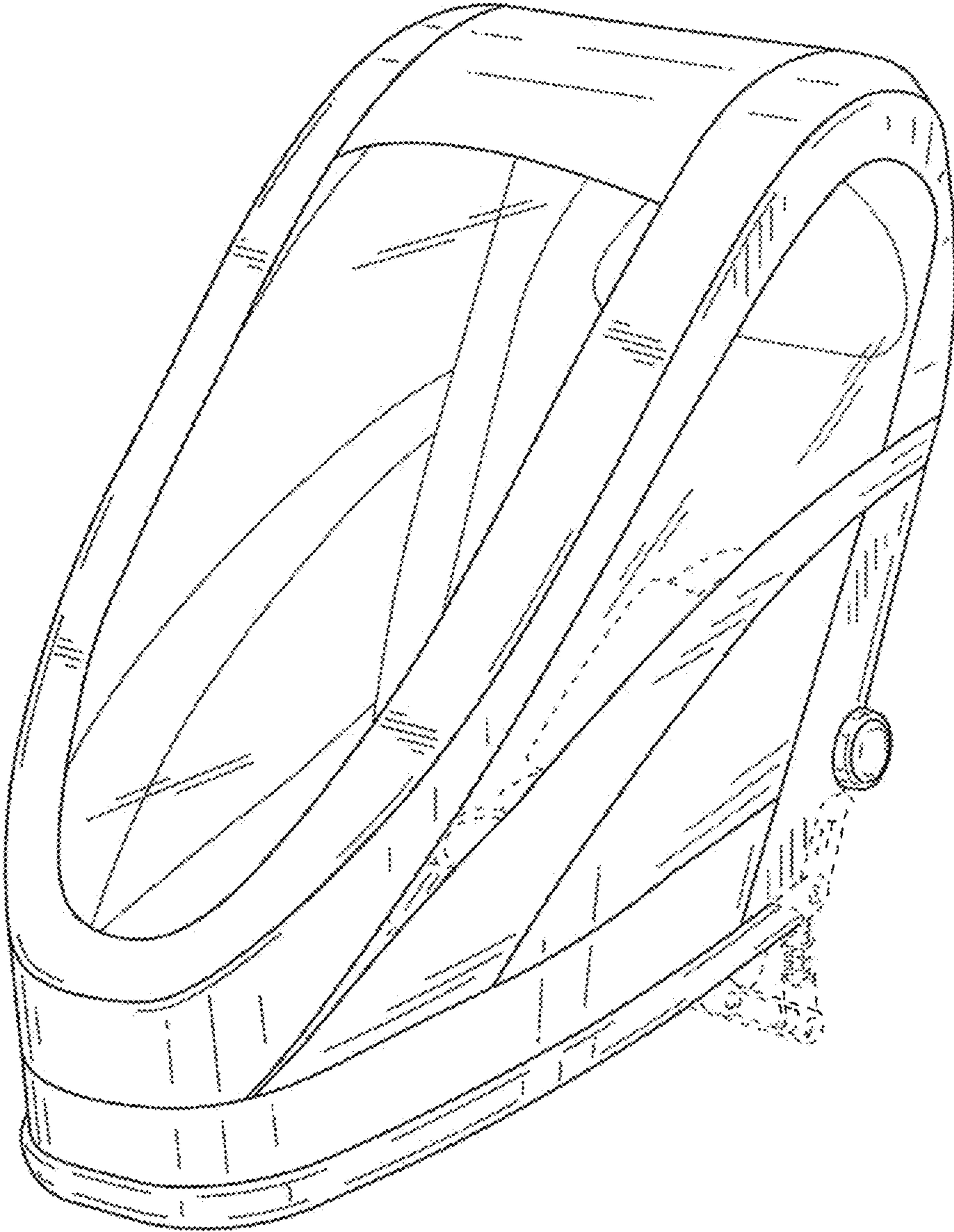
U.S. PATENT DOCUMENTS

7,387,310 B1 * 6/2008 Liu B62B 7/10
280/642
D633,825 S * 3/2011 van Leeuwen B62B 7/126
D12/101
D641,293 S * 7/2011 Tsai D12/129
D793,914 S * 8/2017 Eriksson D12/129
D811,950 S * 3/2018 Hanson B62B 9/087
D12/129
D825,400 S * 8/2018 Hanson D12/129
D858,365 S * 9/2019 Kamen D12/129
D897,909 S * 10/2020 Xiang D12/129
D937,139 S * 11/2021 Eriksson D12/129
2002/0096857 A1 * 7/2002 Valdez B62K 27/02
280/504
2006/0017264 A1 * 1/2006 Chou B62D 63/061
280/651

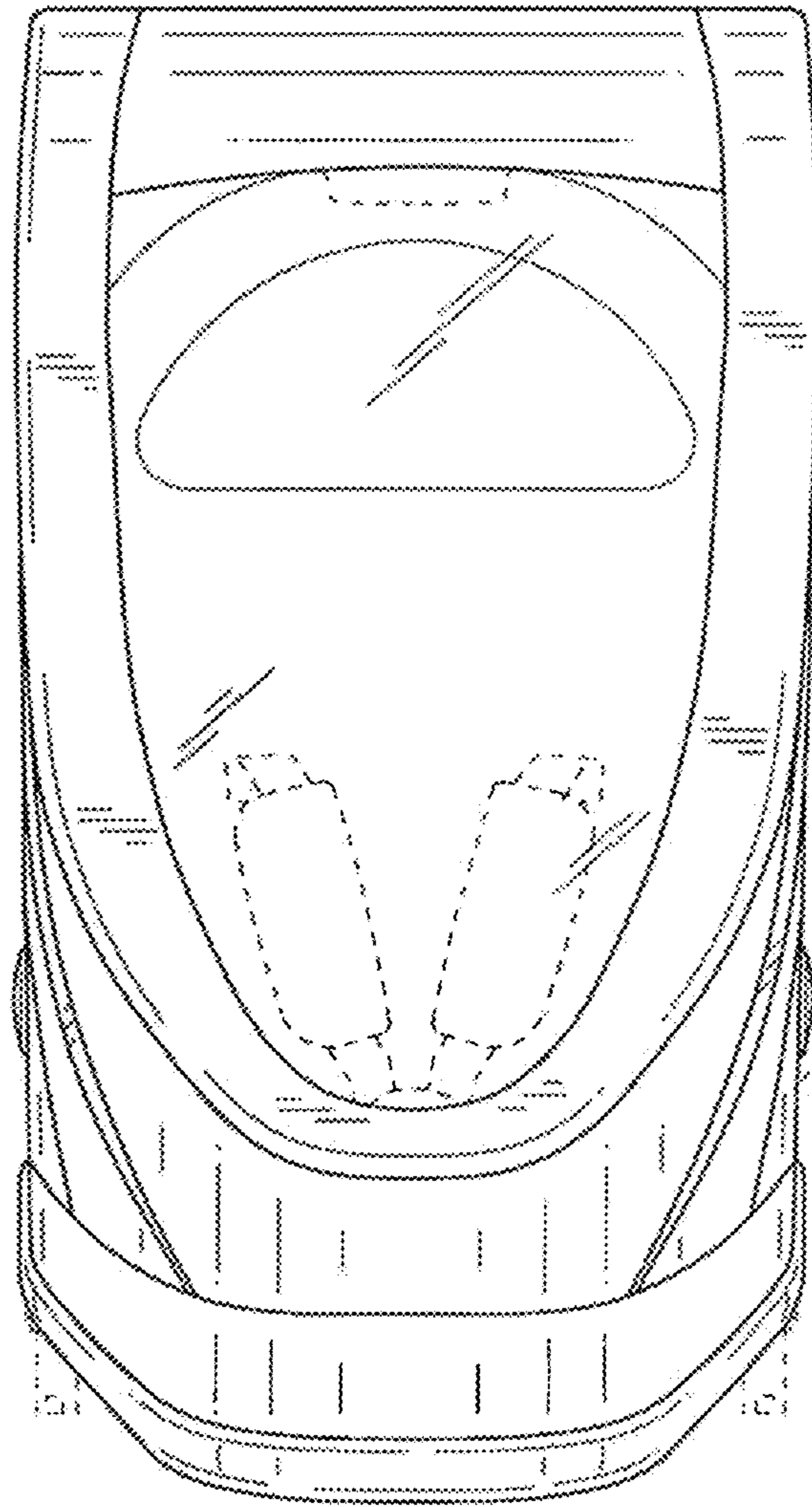
OTHER PUBLICATIONS

Kate Haise. "5 Best Bike Trailers for Kids: Compare & Save." Heavy., Jul. 14, 2020 [online], [retrieved on Aug. 7, 2022]. Retrieved from the Internet <URL: <https://heavy.com/sports/2020/07/bike-trailers-for-kids-2/>>.*

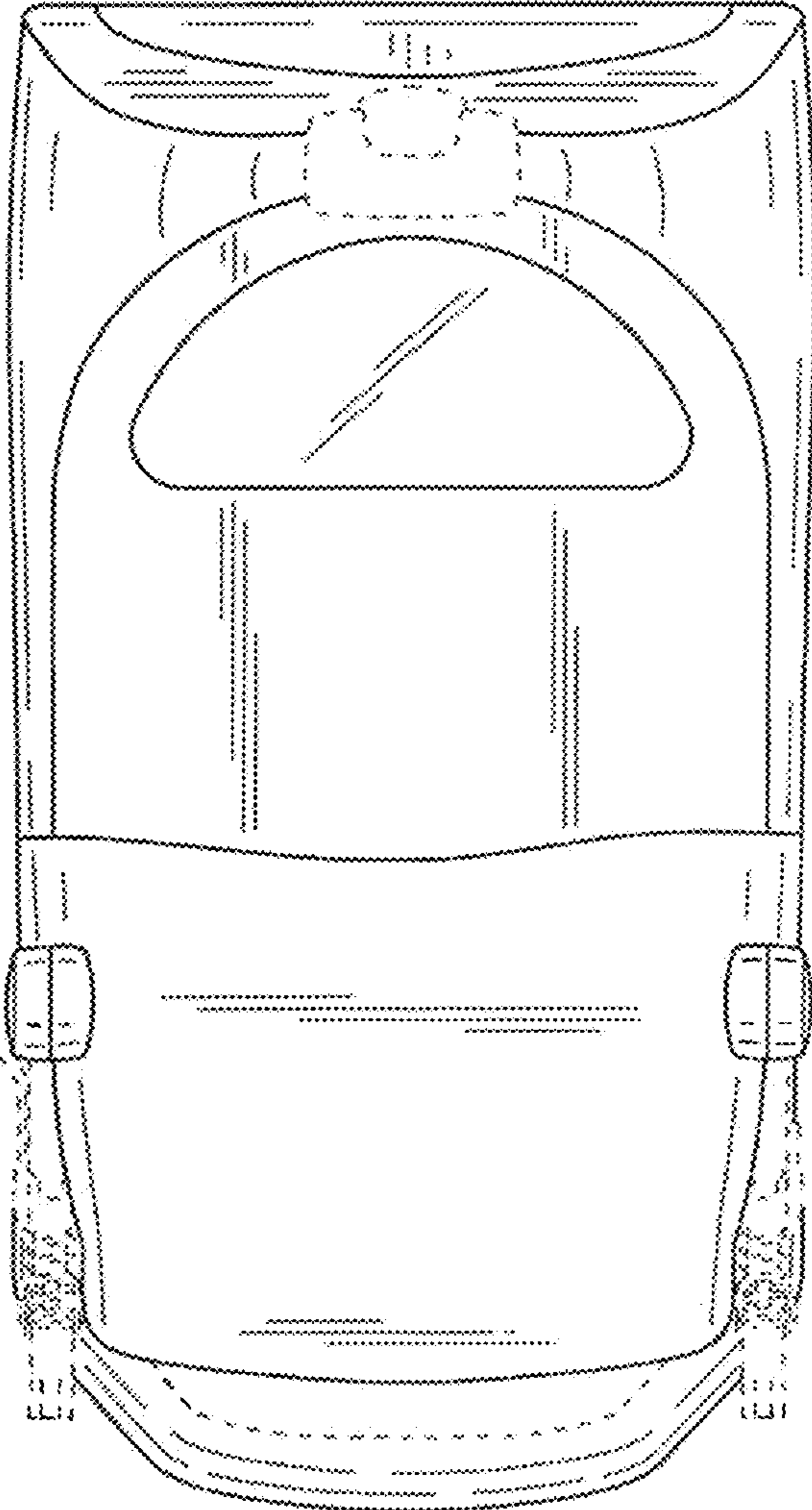
* cited by examiner



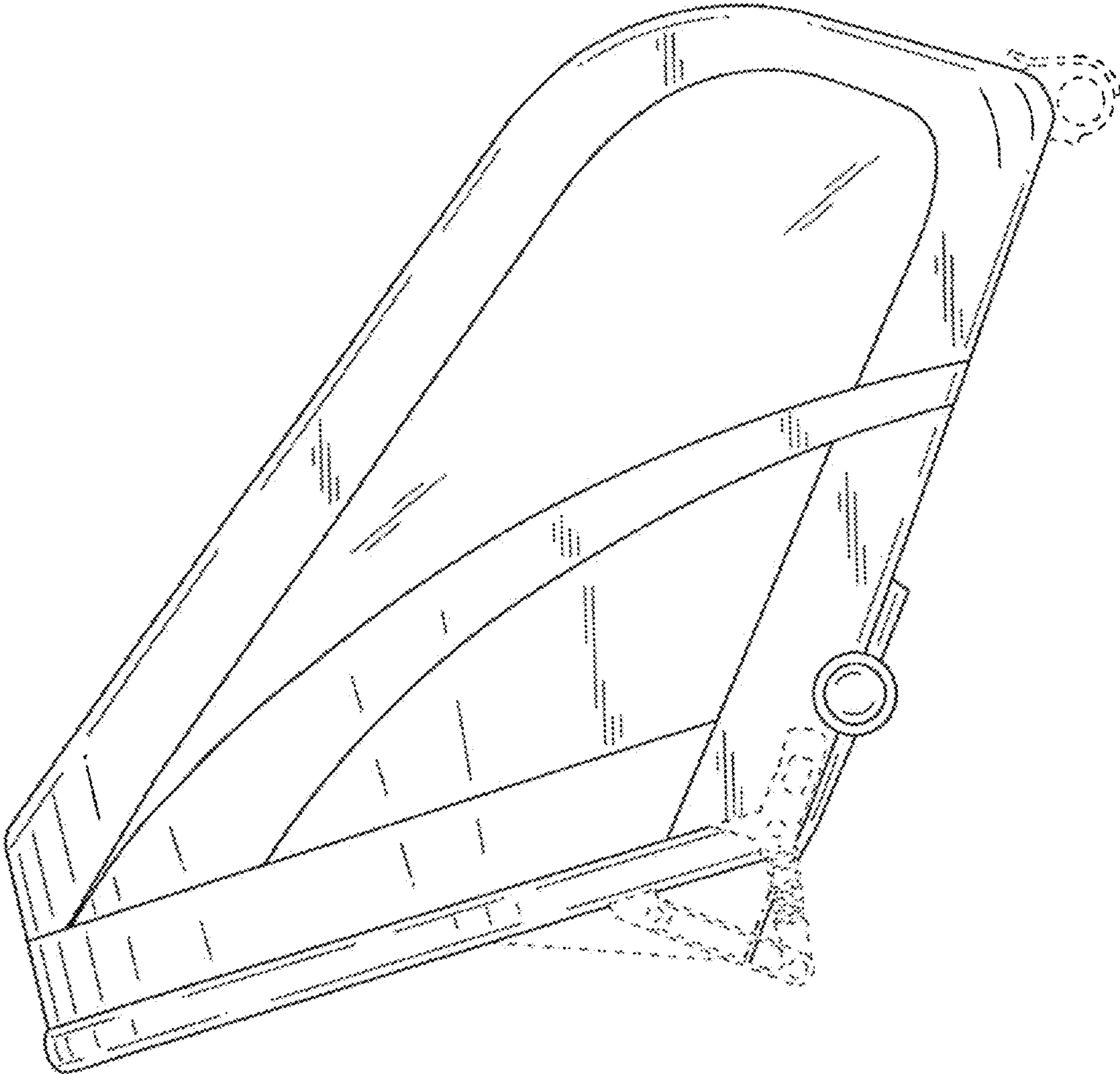
1.1



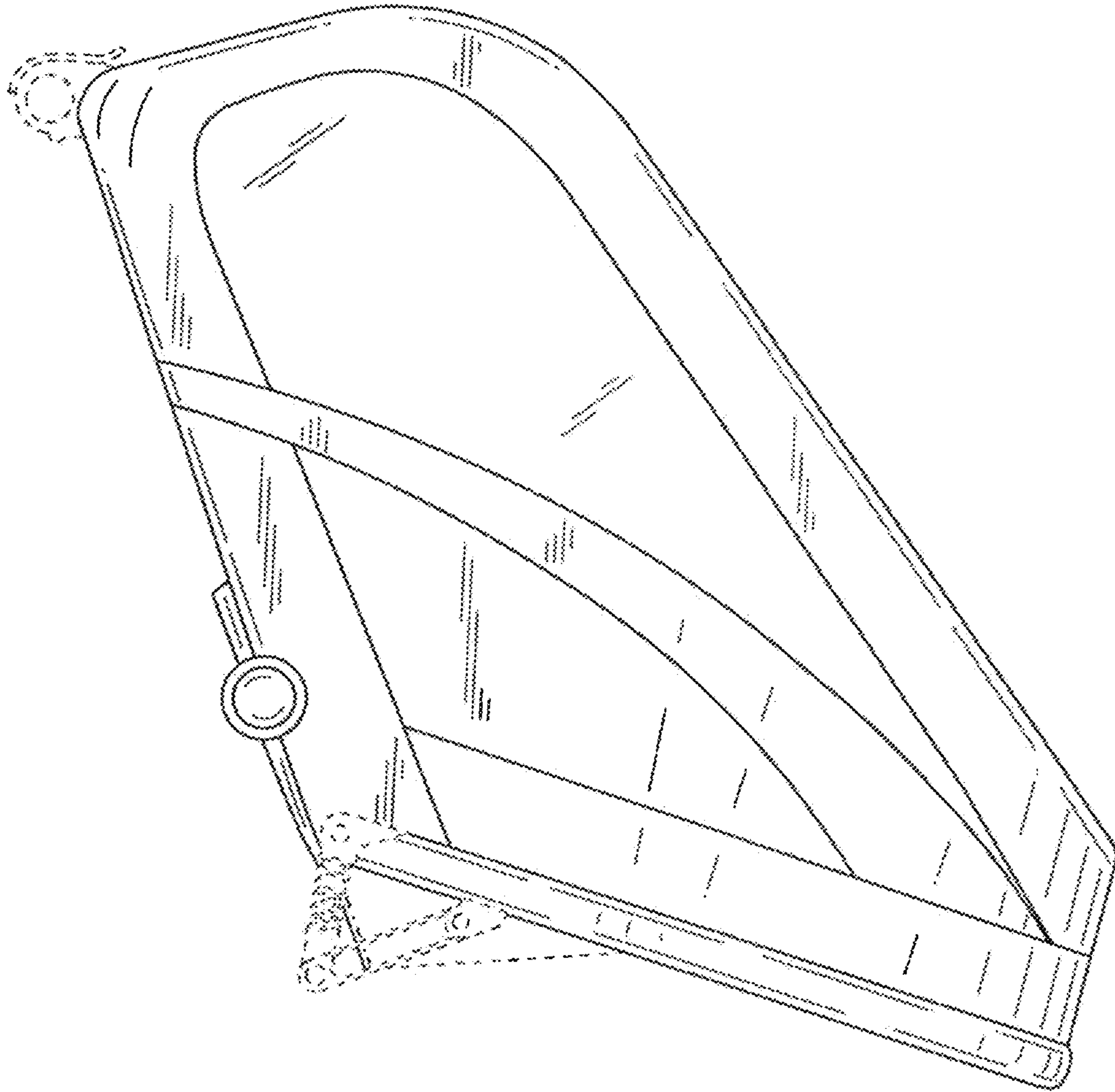
1.2



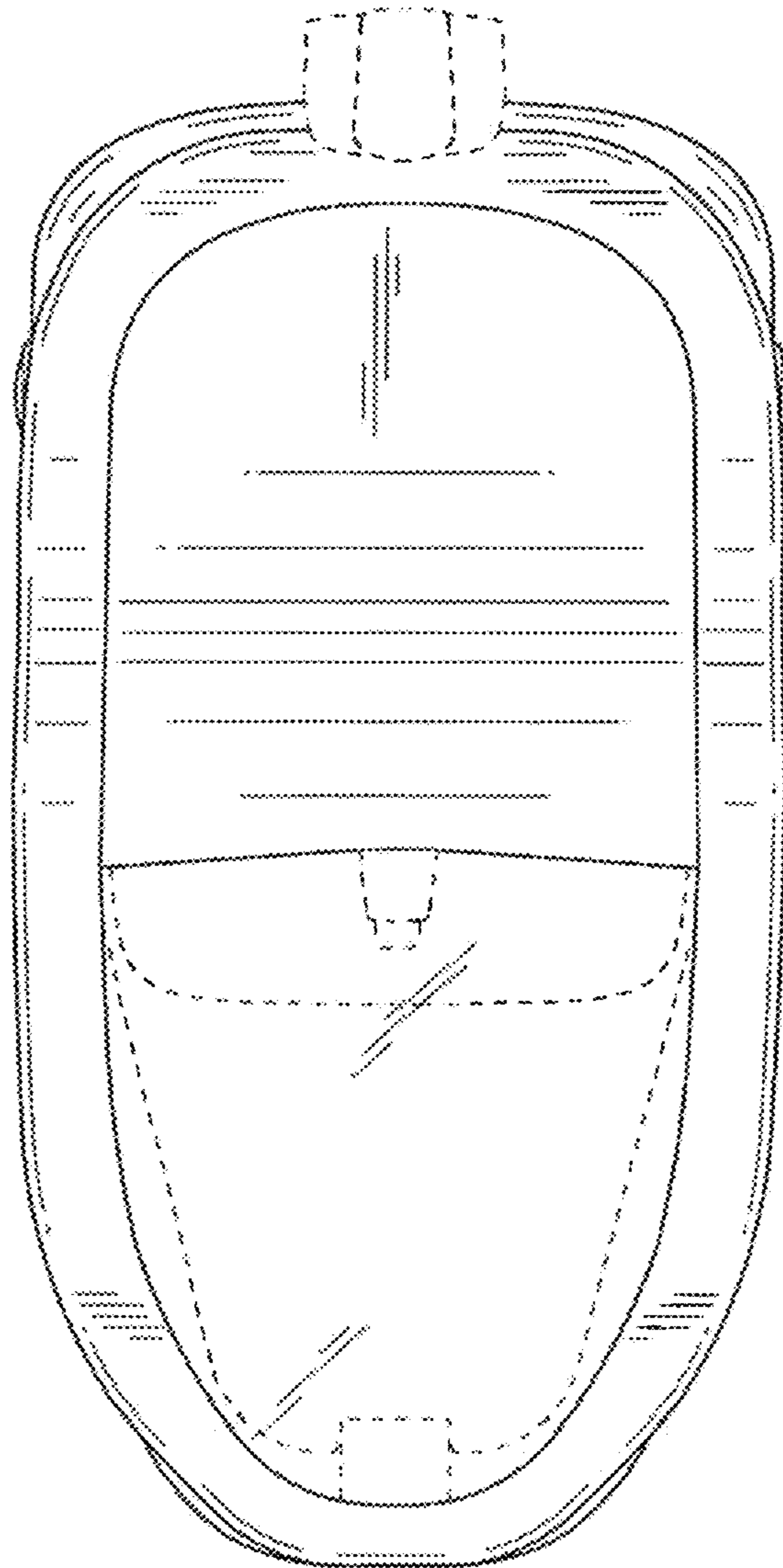
1.3



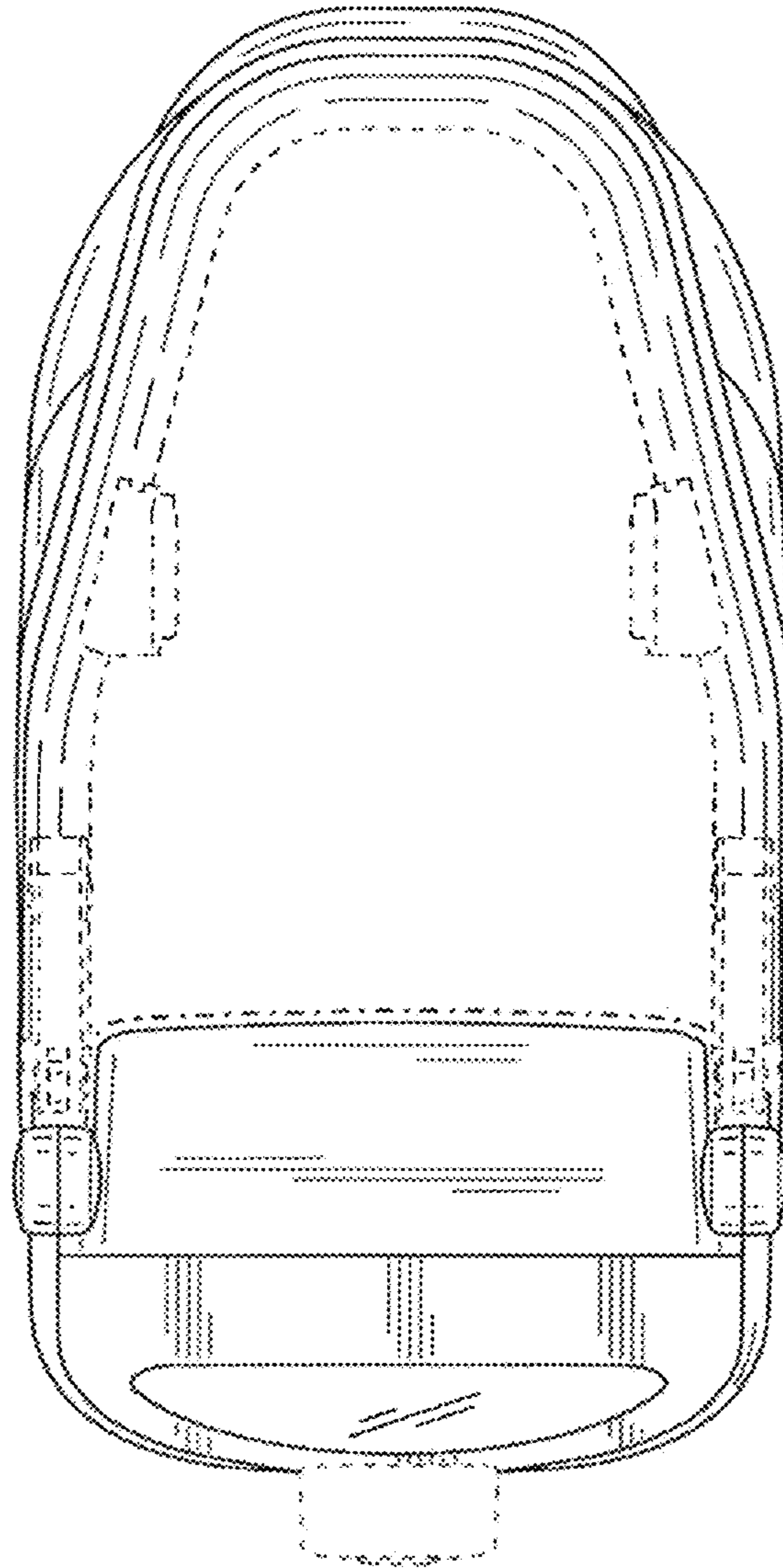
1.4



1.5



1.6



1.7