



US00D985431S

(12) **United States Design Patent**
Yao

(10) **Patent No.:** **US D985,431 S**
(45) **Date of Patent:** **** May 9, 2023**

(54) **BICYCLE PEDAL**

(71) Applicant: **NING BO QI YING SPORTS EQUIPMENT CO., LTD.**, Ning Bo (CN)

(72) Inventor: **Yong Yao**, Ning Bo (CN)

(73) Assignee: **NING BO QI YING SPORTS EQUIPMENT CO., LTD.**, Ning Bo (CN)

(**) Term: **15 Years**

(21) Appl. No.: **29/788,610**

(22) Filed: **Jul. 2, 2021**

(30) **Foreign Application Priority Data**

Jun. 1, 2021 (CN) 202130331183.6

(51) **LOC (14) Cl.** **12-11**

(52) **U.S. Cl.**
USPC **D12/125**

(58) **Field of Classification Search**
USPC D12/111, 125
CPC . B62M 3/00; B62M 3/08; B60N 3/063; B62J 25/00
See application file for complete search history.

(56) **References Cited**

U.S. PATENT DOCUMENTS

D284,459 S * 7/1986 Shimizu D12/125
D299,449 S * 1/1989 Chouan D12/125
D387,706 S * 12/1997 Hanamura D12/125

6,085,614 A * 7/2000 Lin B62M 3/086
D12/125
D432,463 S * 10/2000 Hanamura D12/125
D779,387 S * 2/2017 Wilson D12/125
D922,911 S * 6/2021 Wilson D12/125
11,124,265 B1 * 9/2021 Liu B62M 3/083
D932,950 S * 10/2021 Lou D12/125
D973,551 S * 12/2022 Yao D12/125
D973,552 S * 12/2022 Yao D12/125
D978,735 S * 2/2023 Qian D12/111
2012/0266718 A1 * 10/2012 Yang B62M 3/08
74/594.6
2015/0090072 A1 * 4/2015 Chen B62M 3/08
74/594.4
2015/0298762 A1 * 10/2015 Lin B62M 3/08
74/594.4
2023/0032704 A1 * 2/2023 Iuchi A43B 13/14

* cited by examiner

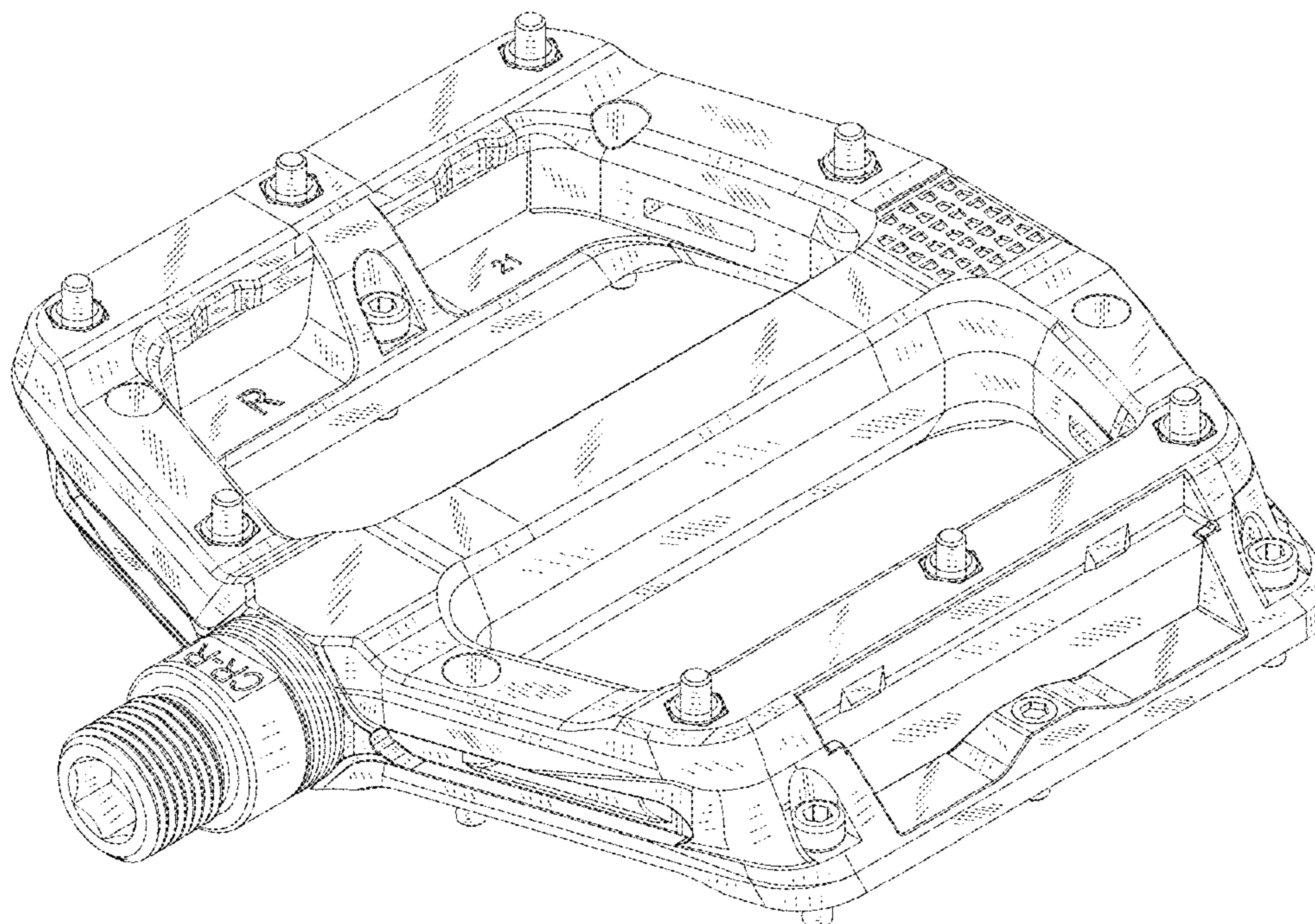
Primary Examiner — Darlington Ly
(74) *Attorney, Agent, or Firm* — Grossman, Tucker, Perreault & Pflieger, PLLC

(57) **CLAIM**
The ornamental design for a bicycle pedal, as shown and described.

DESCRIPTION

FIG. 1 is a top plan view of a bicycle pedal embodying my new design;
FIG. 2 is a bottom plan view thereof;
FIG. 3 is a left-side elevation view thereof;
FIG. 4 is a right-side elevation view thereof;
FIG. 5 is a front elevation view thereof;
FIG. 6 is a rear elevation view thereof; and,
FIG. 7 is a bottom perspective view thereof.

1 Claim, 5 Drawing Sheets



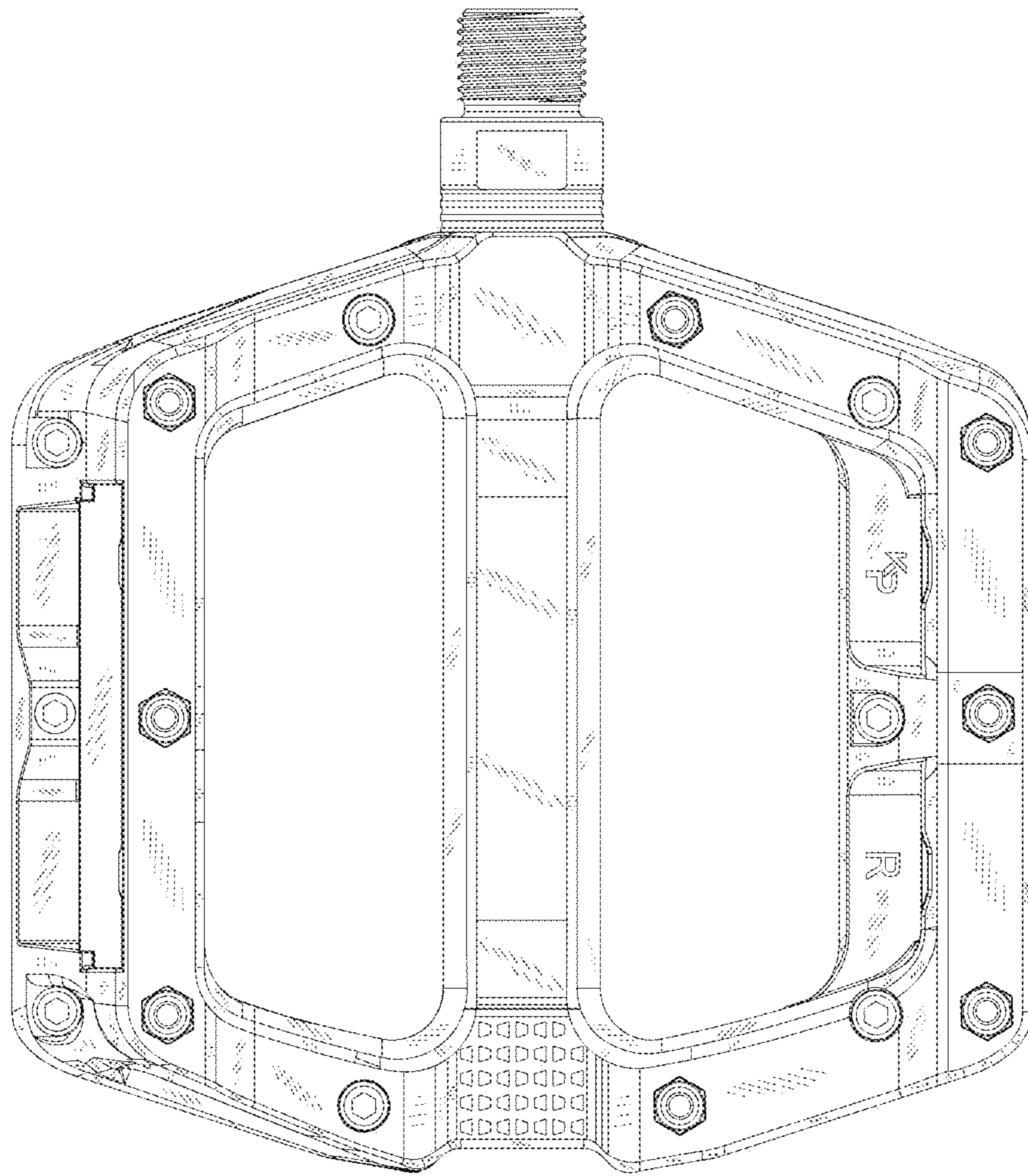


FIG. 1

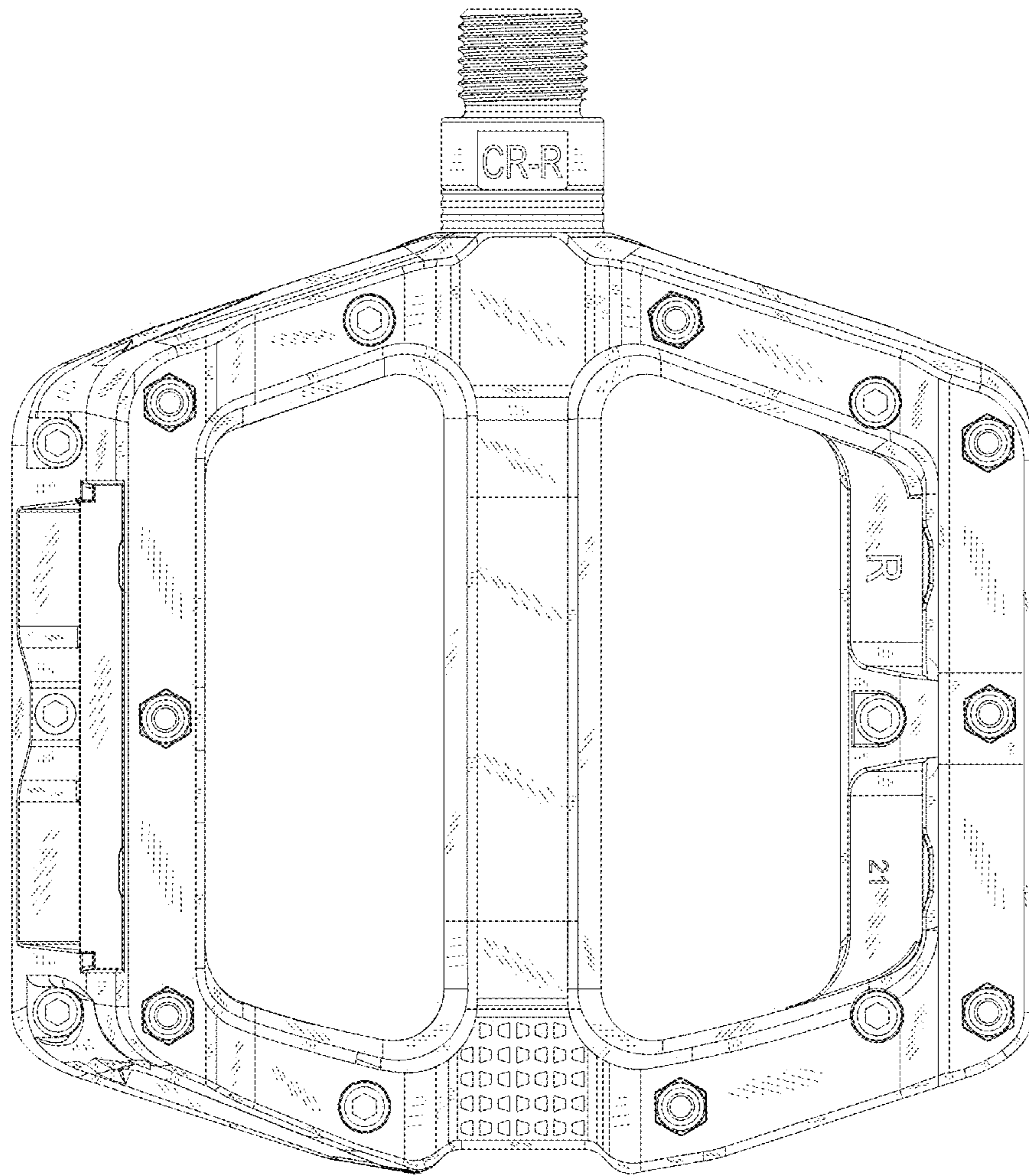


FIG. 2

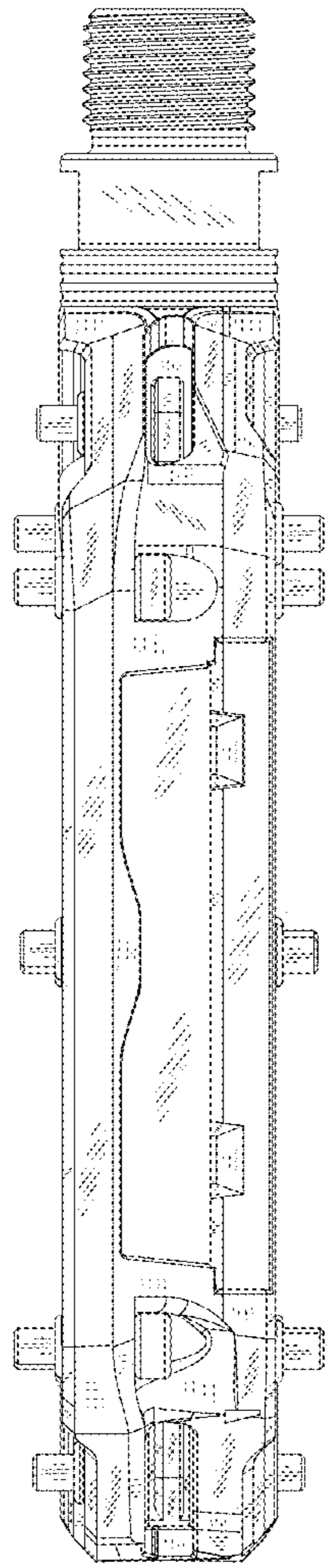


FIG.3

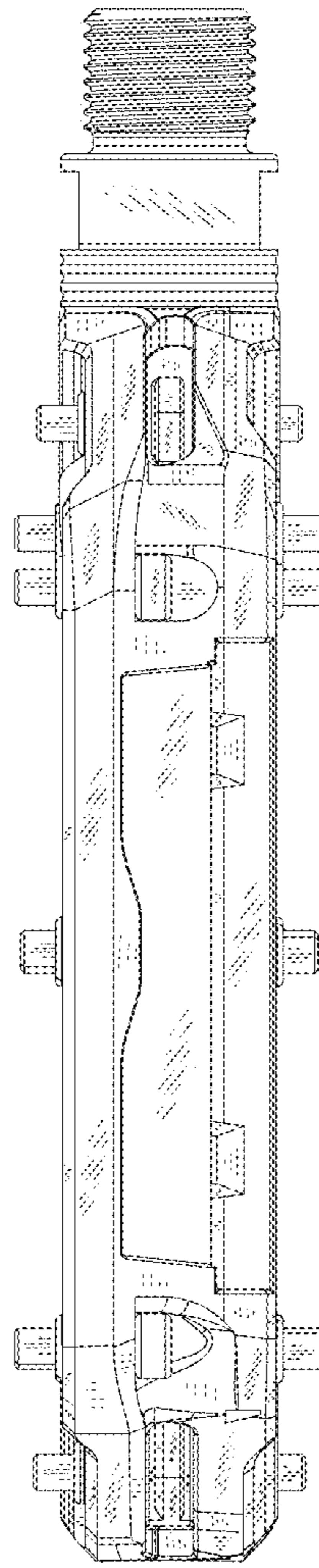


FIG.4

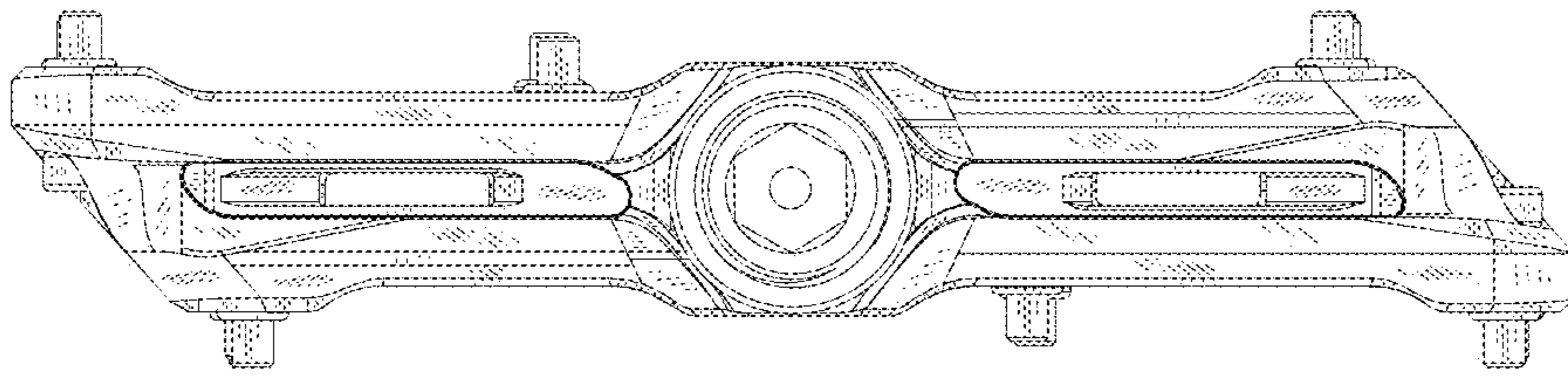


FIG. 5

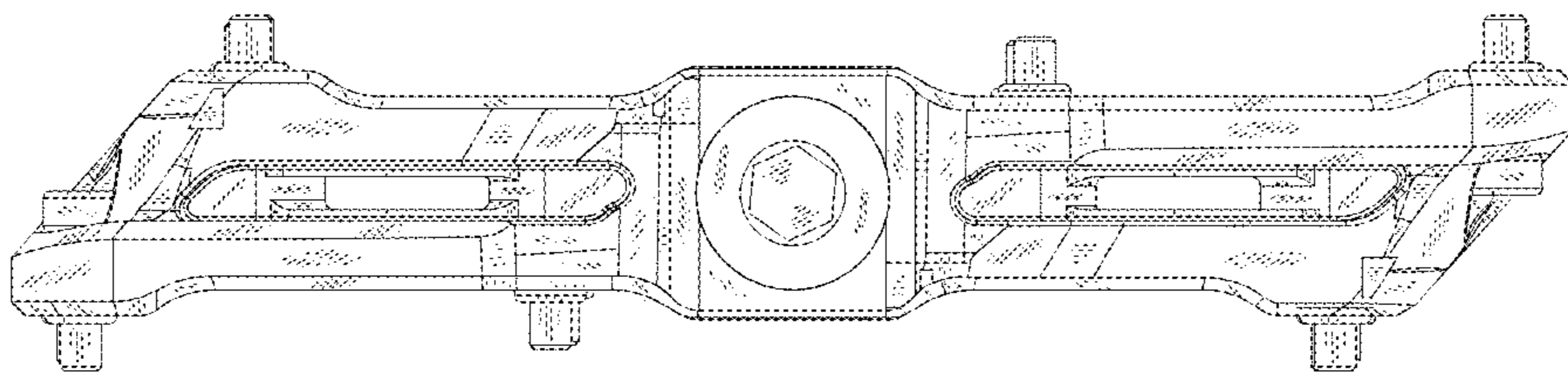


FIG. 6

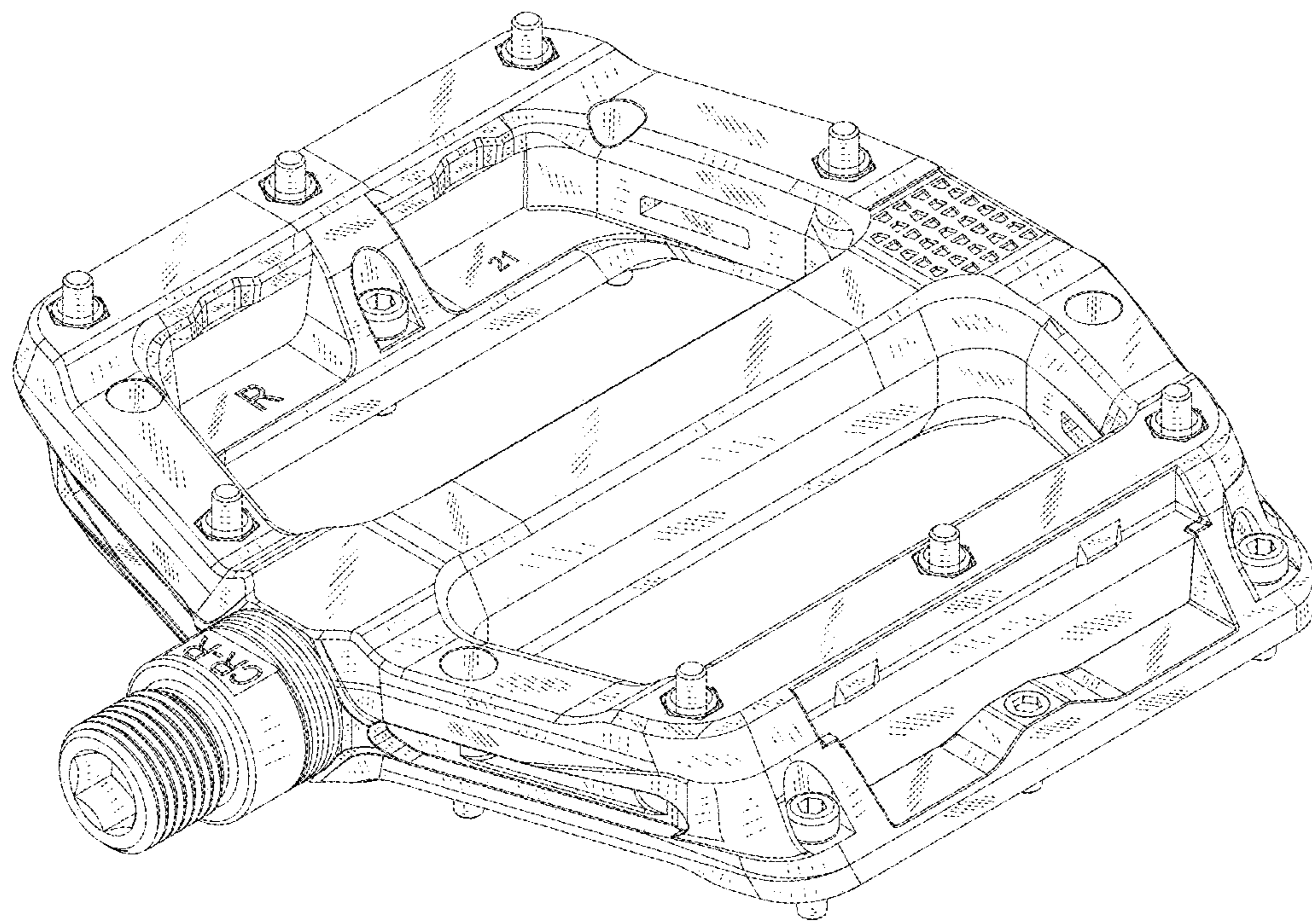


FIG.7