



US00D985430S

(12) **United States Design Patent** (10) **Patent No.:** **US D985,430 S**
Peng (45) **Date of Patent:** **** *May 9, 2023**

(54) **BICYCLE CARRIER**
(71) Applicant: **ZhongShan ZhaoSheng Metal Products Co., Ltd, ZhongShan (CN)**
(72) Inventor: **Cheng Peng, ZhongShan (CN)**
(73) Assignee: **ZHONGSHAN ZHAOSHENG METAL PRODUCTS CO., LTD, Zhongshan (CN)**

2018/0134229 A1* 5/2018 Shen B60R 9/06
2022/0144183 A1* 5/2022 Peng B60R 9/10
2022/0185405 A1* 6/2022 Huang B62H 3/12

FOREIGN PATENT DOCUMENTS

CN 304061620 * 3/2017
CN 304270222 * 9/2017

OTHER PUBLICATIONS

Weize Hitch Bike Rack, Wobble Free Smart Tilting Folding Bicycle Car Racks, available in Amazon.com, date first available Oct. 21, 2021 [online], [site visited Sep. 21, 2022], Available from the internet URL: https://www.amazon.com/WEIZE-Standard-Electric-Capacity-Receiver/dp/B09JLV2Y2D/ref=sxin_14_pa_sp_search_thematic_*

(Continued)

Primary Examiner — Darlington Ly
Assistant Examiner — D. Ryan Tisdale
(74) *Attorney, Agent, or Firm* — Andrew C. Cheng

(*) Notice: This patent is subject to a terminal disclaimer.
(**) Term: **15 Years**

(21) Appl. No.: **29/843,832**

(22) Filed: **Jun. 24, 2022**

(51) **LOC (14) Cl.** **12-11**

(52) **U.S. Cl.**
USPC **D12/211**

(58) **Field of Classification Search**
USPC D12/111, 115, 120, 159, 161, 169, 400, D12/402, 406-408, 412, 414, 414.1, 420; D3/304-306; D6/552; D8/356
CPC .. B60R 9/06; B60R 9/10; B60R 9/048; B60R 11/00; Y10S 224/924
See application file for complete search history.

(57) **CLAIM**

The ornamental design for a bicycle carrier, as shown and described.

DESCRIPTION

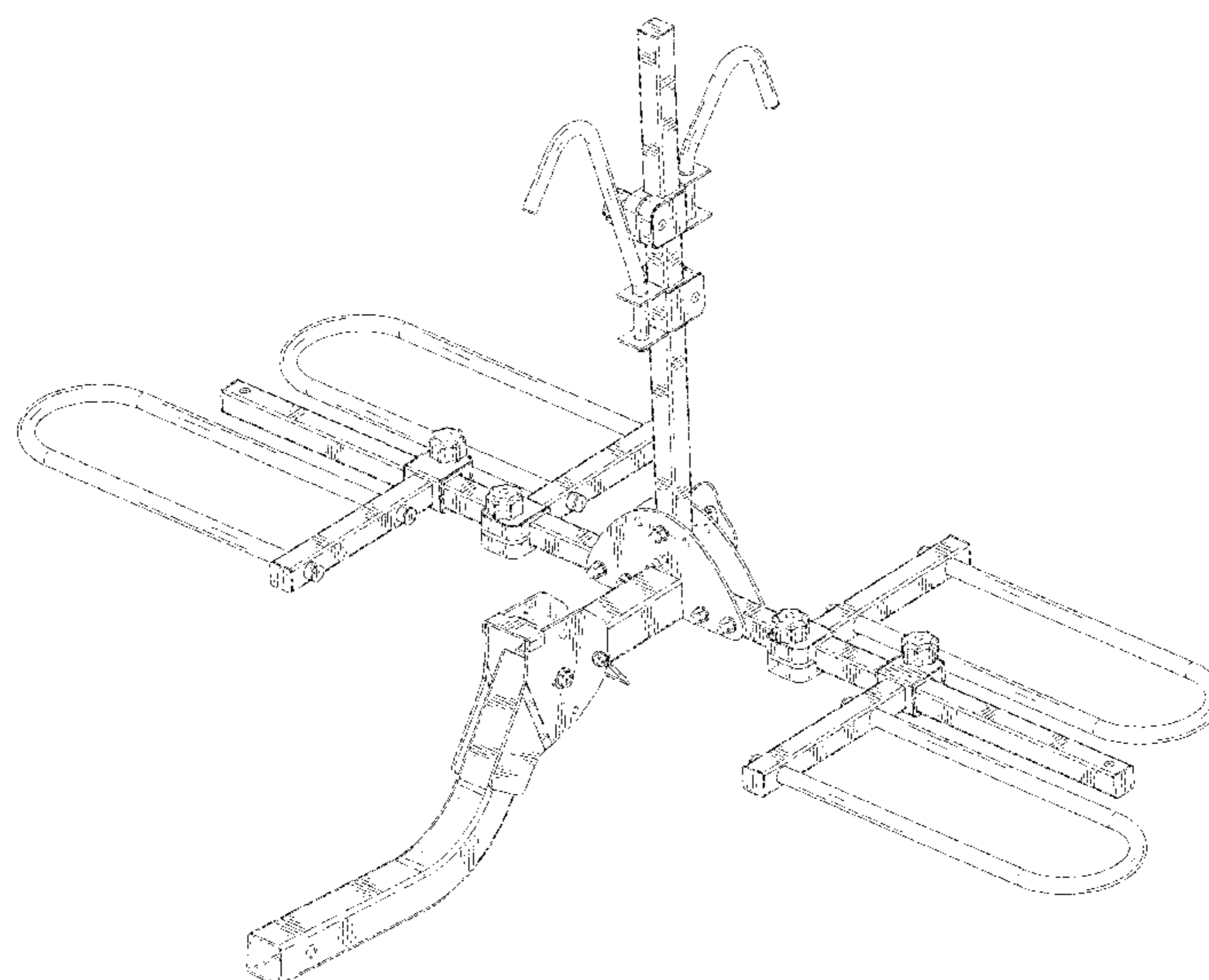
FIG. 1 is a perspective view of a bicycle carrier showing my new design;
FIG. 2 is another perspective view thereof;
FIG. 3 is a front elevational view thereof;
FIG. 4 is a rear elevational view thereof;
FIG. 5 is a left side elevational view thereof;
FIG. 6 is a right side elevational view thereof;
FIG. 7 is a top plan view thereof; and,
FIG. 8 is a bottom plan view thereof.
The dash-dash broken lines in the drawings depict portions of the bicycle carrier that form no part of the claimed design.

1 Claim, 8 Drawing Sheets

(56) **References Cited**

U.S. PATENT DOCUMENTS

8,640,888 B2* 2/2014 Liu B60R 9/10 224/501
D734,218 S 7/2015 D'Aluisio et al.
10,906,473 B1* 2/2021 Yu B60R 9/06
11,091,099 B1* 8/2021 Shen B60R 9/06
D946,490 S * 3/2022 Li D12/408
D952,539 S * 5/2022 Shen D12/407
D964,254 S * 9/2022 Huang D12/407
2013/0062383 A1* 3/2013 Jeli B60R 9/10 224/549



(56)

References Cited

OTHER PUBLICATIONS

Weize Hitch Bike Rack, Wobble Free Smart Tilting Bicycle Car Racks for Standard, available in Amazon.com, date first available Feb. 24, 2022 [online], [site visited Sep. 21, 2022], Available from the internet URL: https://www.amazon.com/WEIZE-Tilting-Standard-Capacity-Receiver/dp/B09T9BCPNS/ref=sxin_14_pa_sp_search_themat.*

Retrospec Lenox Car Hitch Mount Tray Bike Rack w/2-inch Receiver, available in Amazon.com, date first available May 17, 2021 [online], [site visited Sep. 21, 2022], Available from the internet URL: https://www.amazon.com/Retrospec-Lenox-Hitch-2-inch-Receiver/dp/B0955DP8JS/ref=sr_1_181?crid=2L4EP4JCP5KQK&keywords=bike+ra.*

Hyper Tough Bike hitch Hauler, announced in YouTube on Sep. 18, 2019 [online], [site visited Sep. 21, 2022], Available from the internet URL: <https://www.youtube.com/watch?v=zTMXXFMQXZU>.*

* cited by examiner

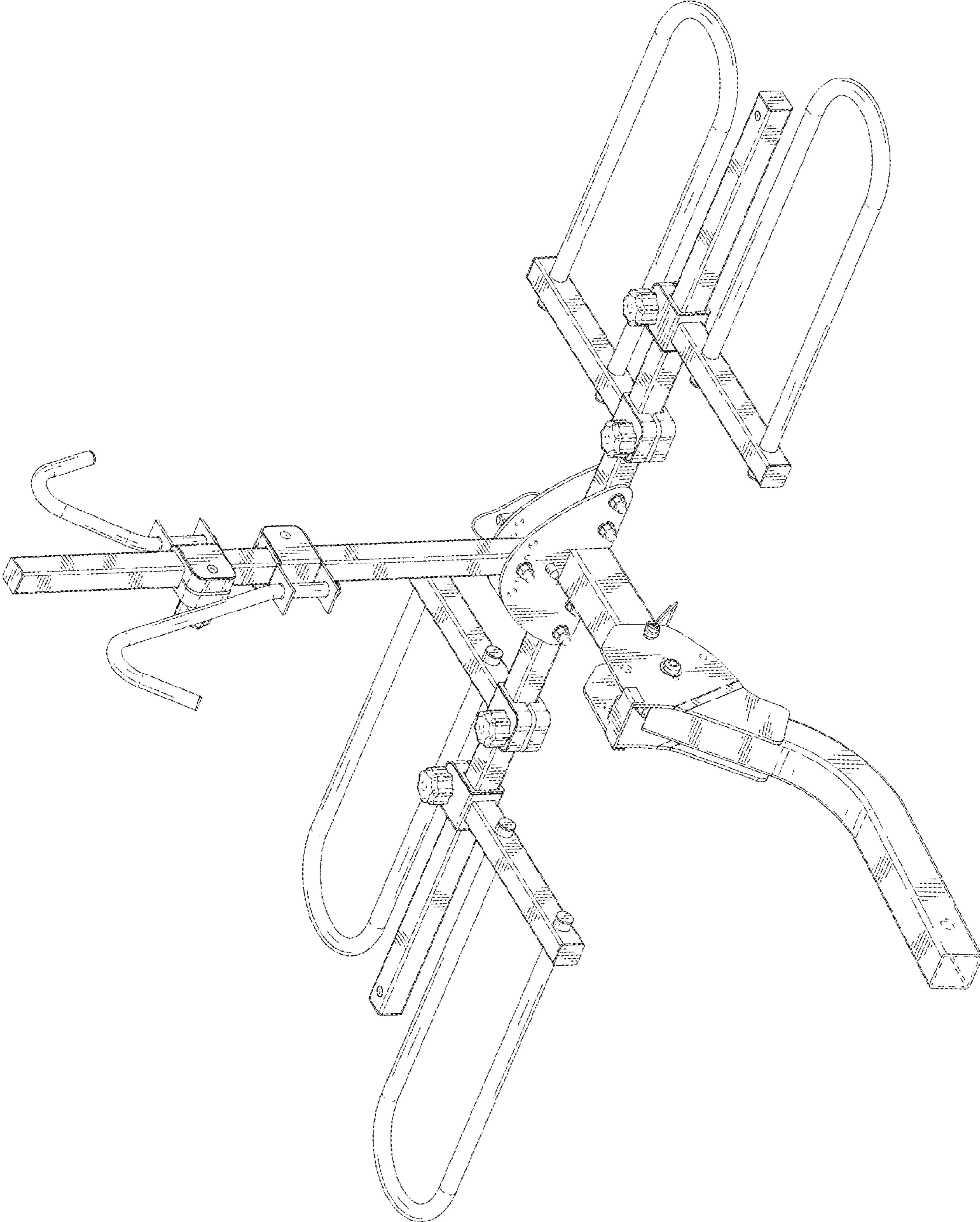


FIG. 1

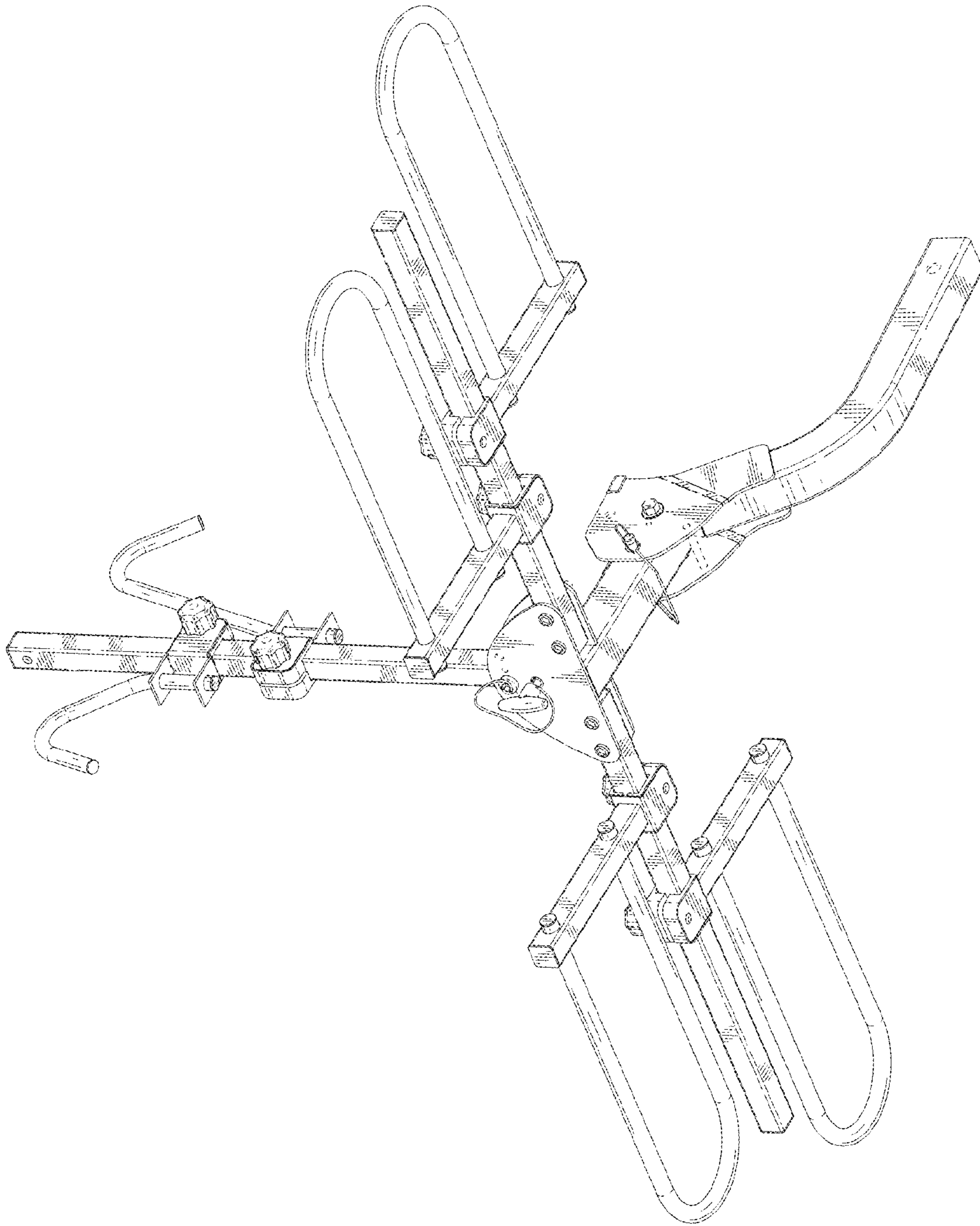


FIG. 2

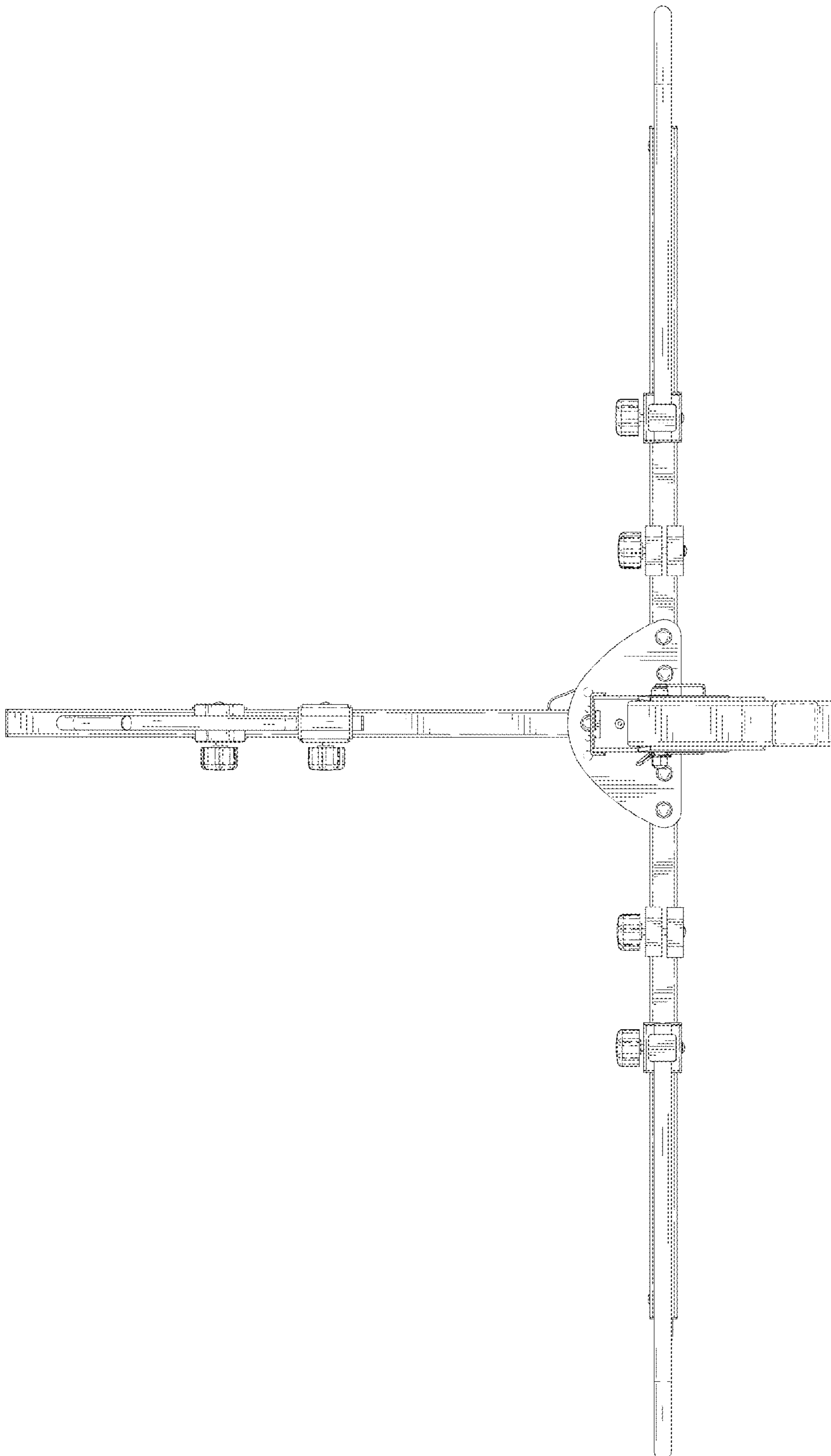


FIG. 3

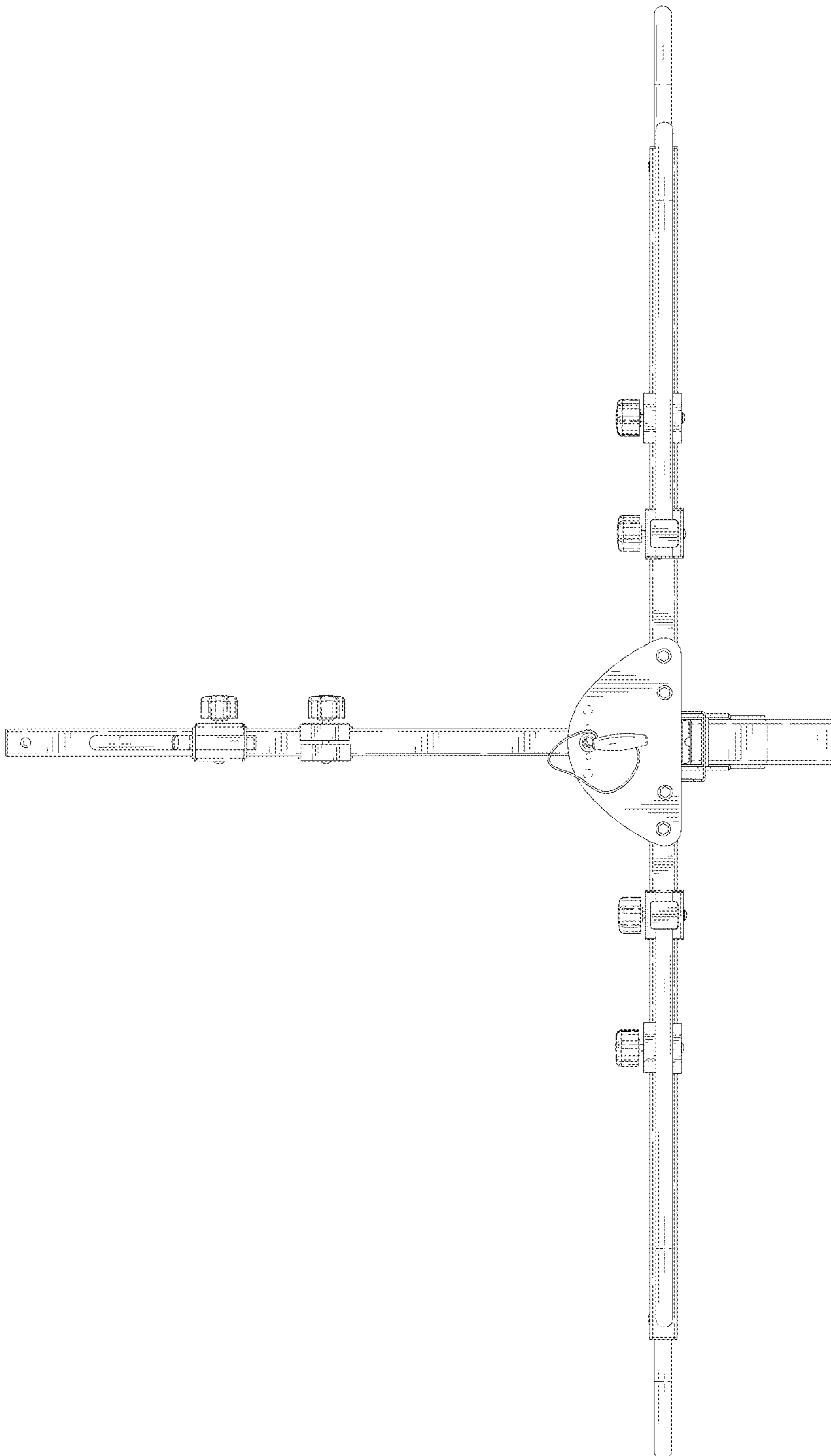


FIG. 4

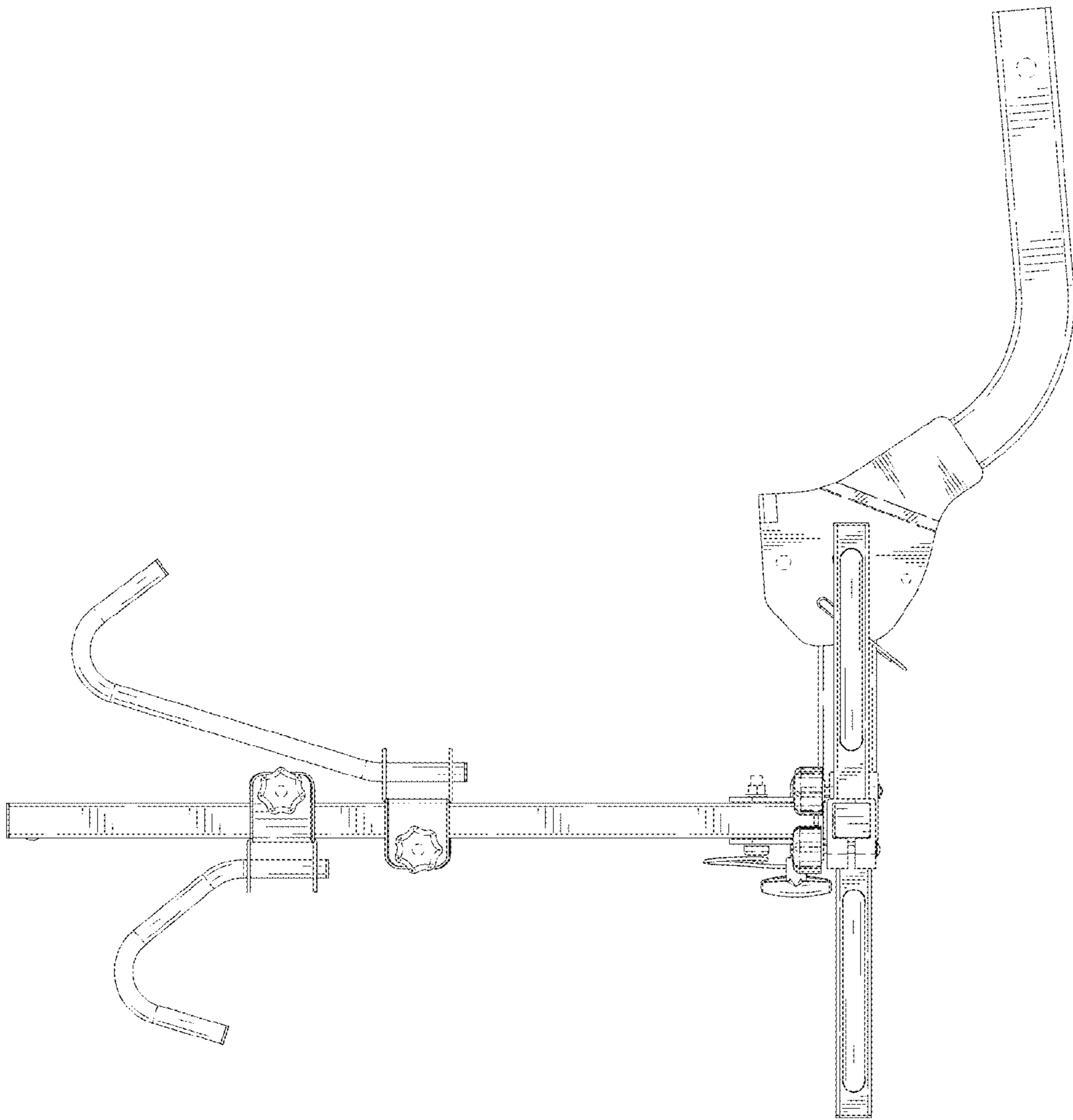


FIG. 5

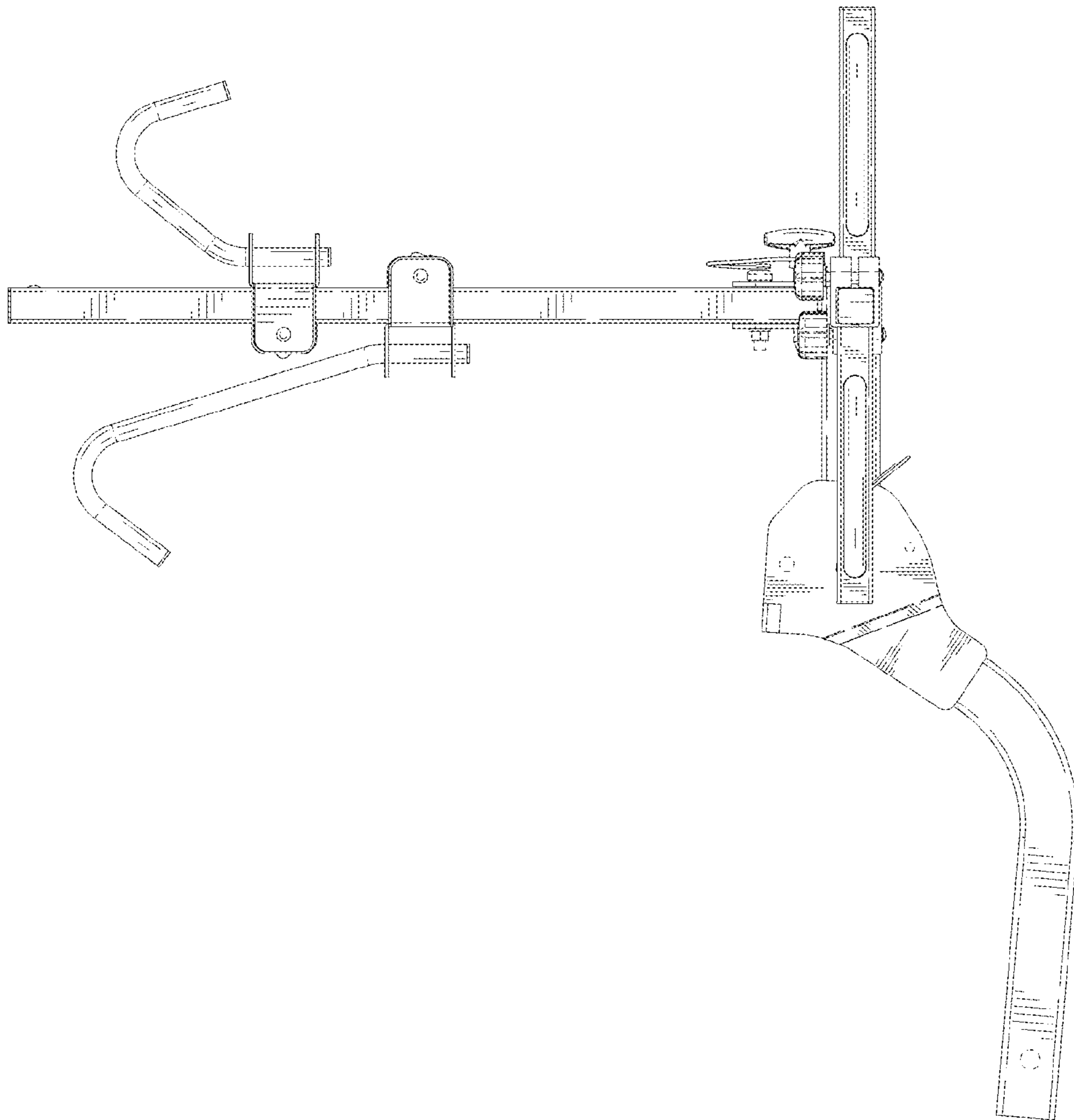


FIG. 6

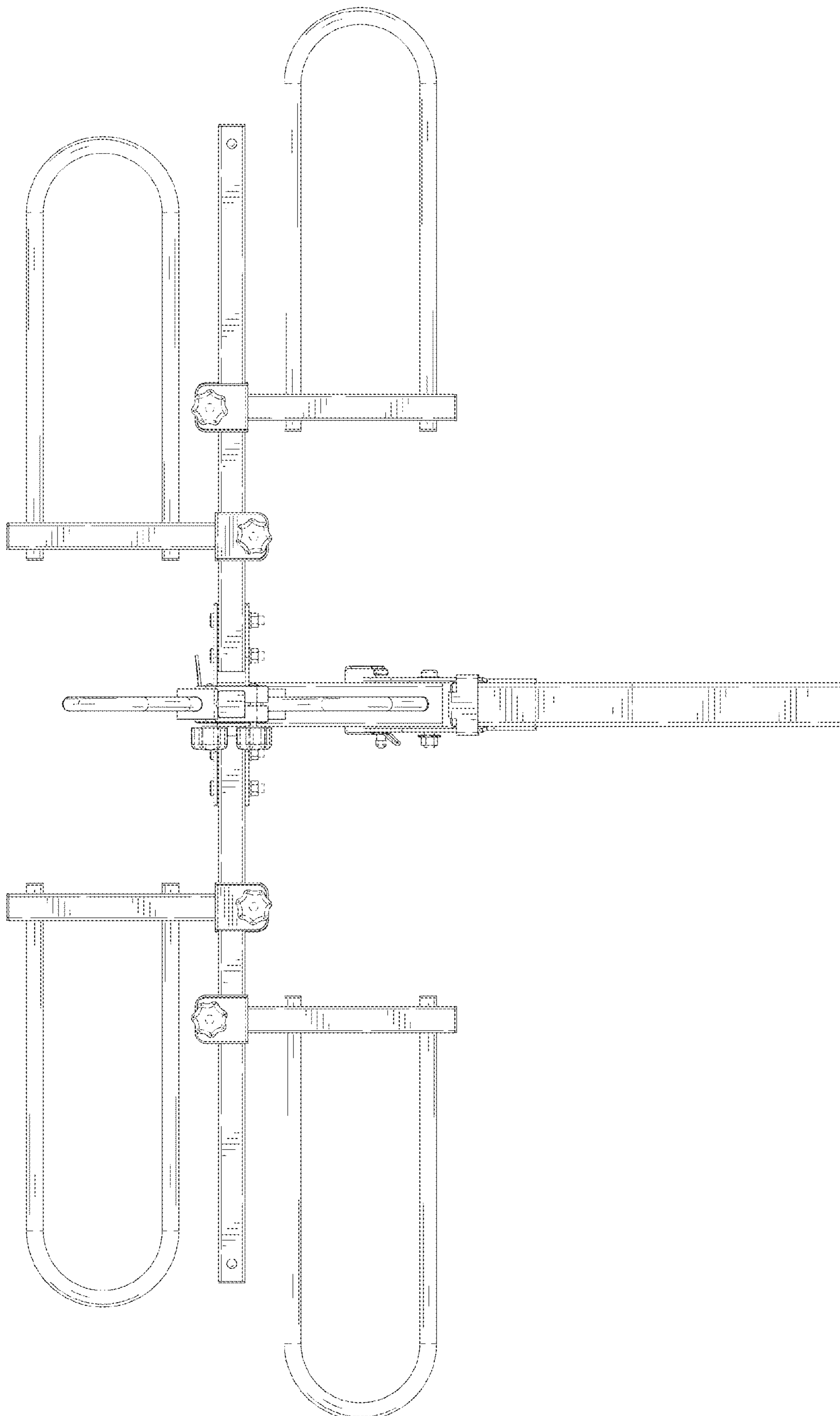


FIG. 7

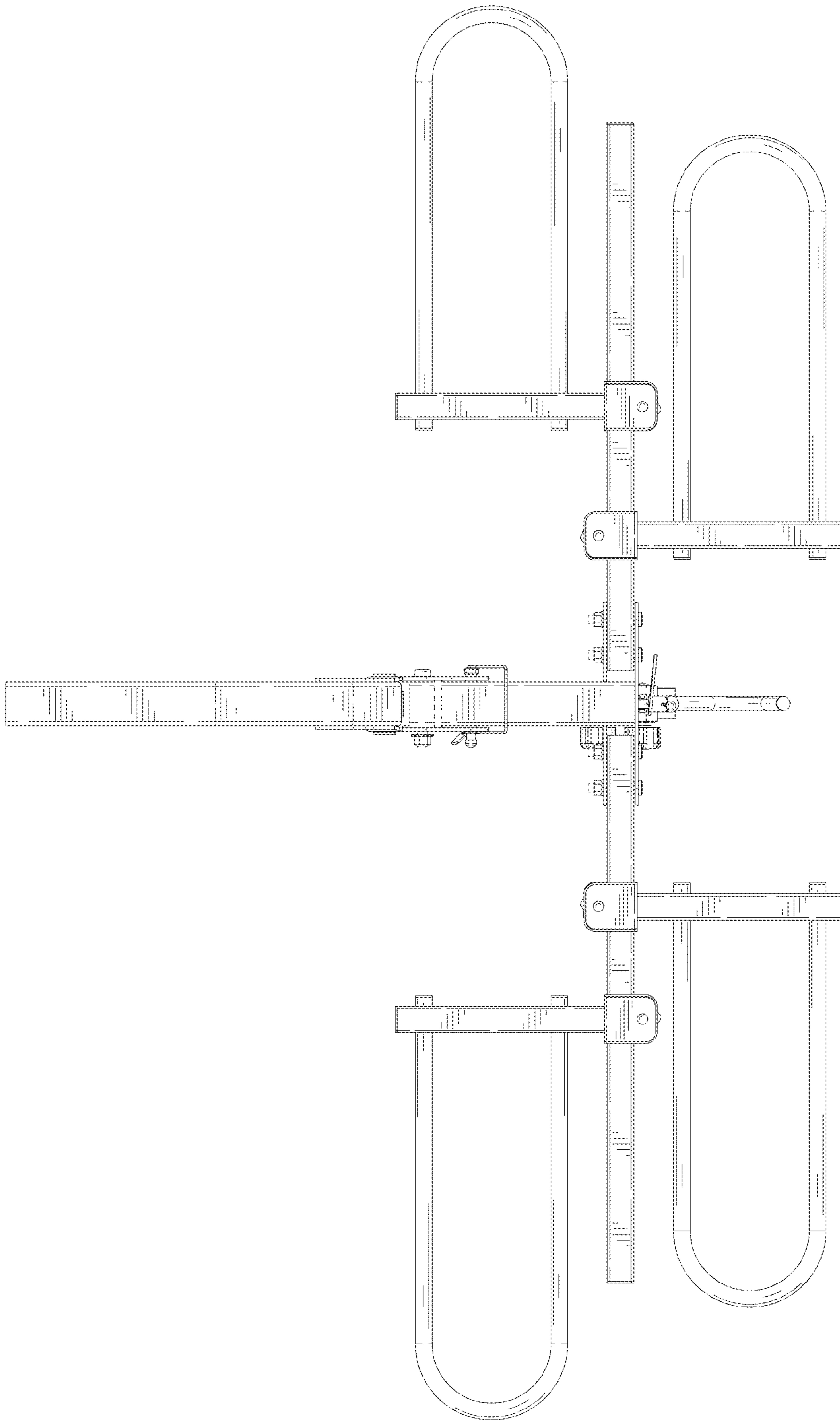


FIG. 8