



US00D985429S

(12) **United States Design Patent** (10) **Patent No.:** **US D985,429 S**
Eisner (45) **Date of Patent:** **** May 9, 2023**

(54) **BICYCLE**

(71) Applicant: **Thomas Eisner**, Reutlingen (DE)

(72) Inventor: **Thomas Eisner**, Reutlingen (DE)

(**) Term: **15 Years**

(21) Appl. No.: **29/785,564**

(22) Filed: **May 26, 2021**

(51) **LOC (14) Cl.** **12-11**

(52) **U.S. Cl.**
USPC **D12/111**

(58) **Field of Classification Search**
USPC D12/111, 117; D21/412, 414, 419,
D21/423-428, 431-435
CPC ... B62K 3/00; B62K 3/02; B62K 3/06; B62K
11/00; B62K 11/02; B62K 11/04; B62K
11/10; B62K 17/00; B62K 19/00; B62K
2202/00

See application file for complete search history.

(56) **References Cited**

U.S. PATENT DOCUMENTS

- 6,010,173 A * 1/2000 Chyan-Luen B60Q 1/2611
296/78.1
- 6,170,844 B1 * 1/2001 Sasi B62K 13/06
280/209
- 6,598,927 B2 * 7/2003 Kurohori B62J 17/08
296/79
- 8,322,749 B2 * 12/2012 Srabstein B62J 27/30
280/756
- D737,180 S * 8/2015 Gholston D12/114
- 9,422,020 B2 * 8/2016 Kim B62J 17/08
- 11,001,326 B1 * 5/2021 Bourassa B62J 17/08
- D944,126 S * 2/2022 Lu D12/111
- D952,520 S * 5/2022 Liu D12/111
- D964,219 S * 9/2022 Xie D12/111
- D978,025 S * 2/2023 Zemskov D12/111
- D978,735 S * 2/2023 Qian D12/111

- D980,131 S * 3/2023 Li D12/111
- 2015/0001828 A1 * 1/2015 Silva B62K 3/06
280/281.1
- 2019/0037983 A1 * 2/2019 Bourassa A45B 11/00

FOREIGN PATENT DOCUMENTS

- CN 201169330 Y 12/2008
- CN 201512056 U 6/2010
- CN 205632794 U 10/2016
- DE 19748807 A1 5/1999
- DE 29903403 U 5/1999
- DE 202017104098 U1 7/2017
- DE 202019000389 U1 4/2020
- DE 102018010050 A1 6/2020
- DE 102011017228 A1 10/2021
- EM 007942198-002 6/2020
- EP 1273506 A1 1/2003
- EP 2301828 A1 3/2011
- EP 3339152 A1 6/2018

(Continued)

Primary Examiner — Darlington Ly

(74) *Attorney, Agent, or Firm* — Collard & Roe, P.C.

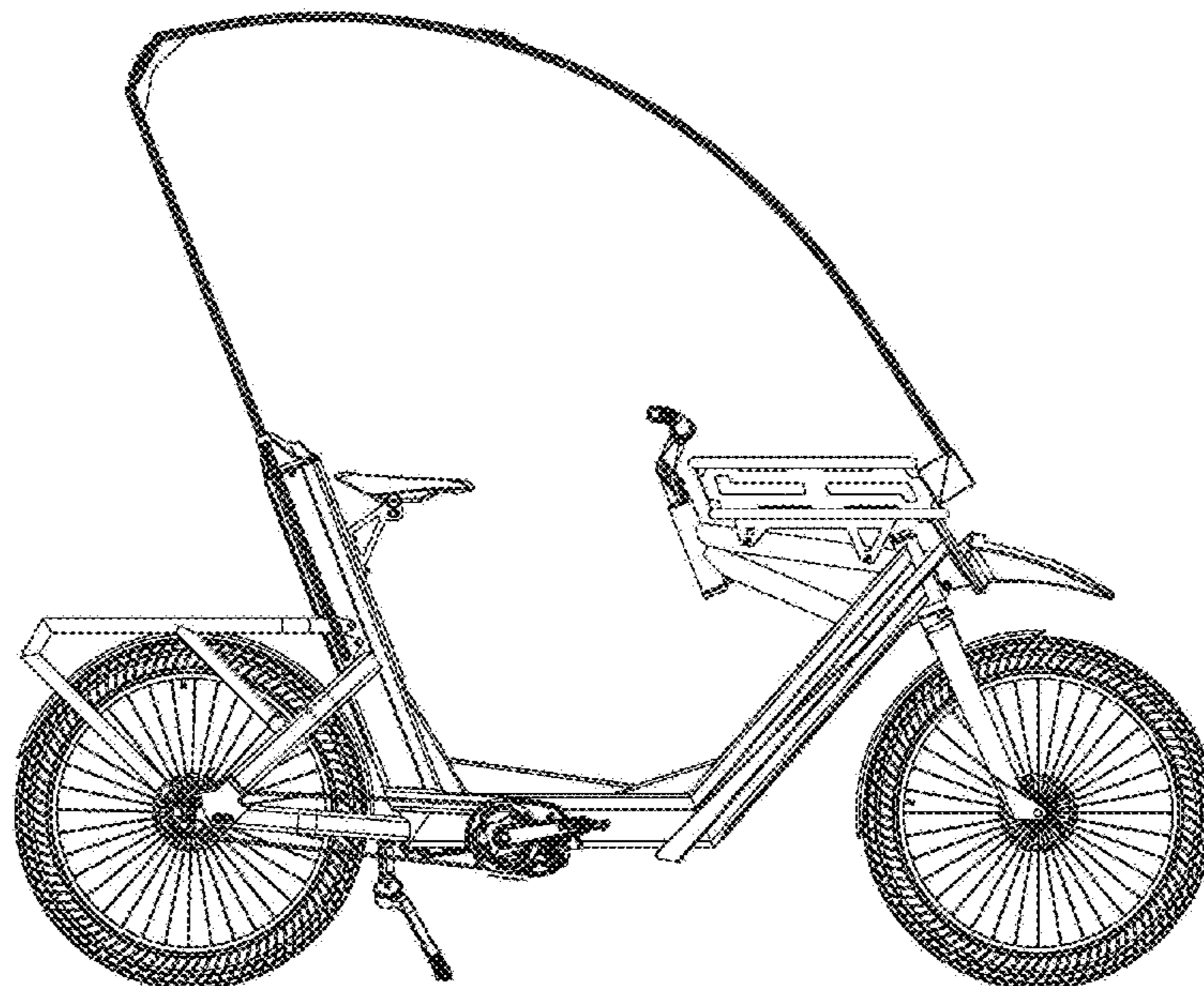
(57) **CLAIM**

The ornamental design for a bicycle, as shown and described.

DESCRIPTION

FIG. 1 is a right side elevation view of a bicycle embodying my new design;
FIG. 2 is a left side elevation view thereof;
FIG. 3 is a front elevation view thereof;
FIG. 4 is a rear elevation view thereof;
FIG. 5 is a top plan view thereof;
FIG. 6 is a top, front, and right side perspective view thereof;
FIG. 7 is a right side perspective view thereof; and,
FIG. 8 is a rear and right side perspective view thereof.

1 Claim, 8 Drawing Sheets



(56)

References Cited

FOREIGN PATENT DOCUMENTS

FR	2380180	A1	9/1978
JP	H0661682	U	8/1994
JP	H08127374	A	5/1996
JP	2000225979	A	8/2000
JP	2005112299	A	4/2005
KR	200376641	Y1	3/2005
WO	2009133267	A1	11/2009

* cited by examiner

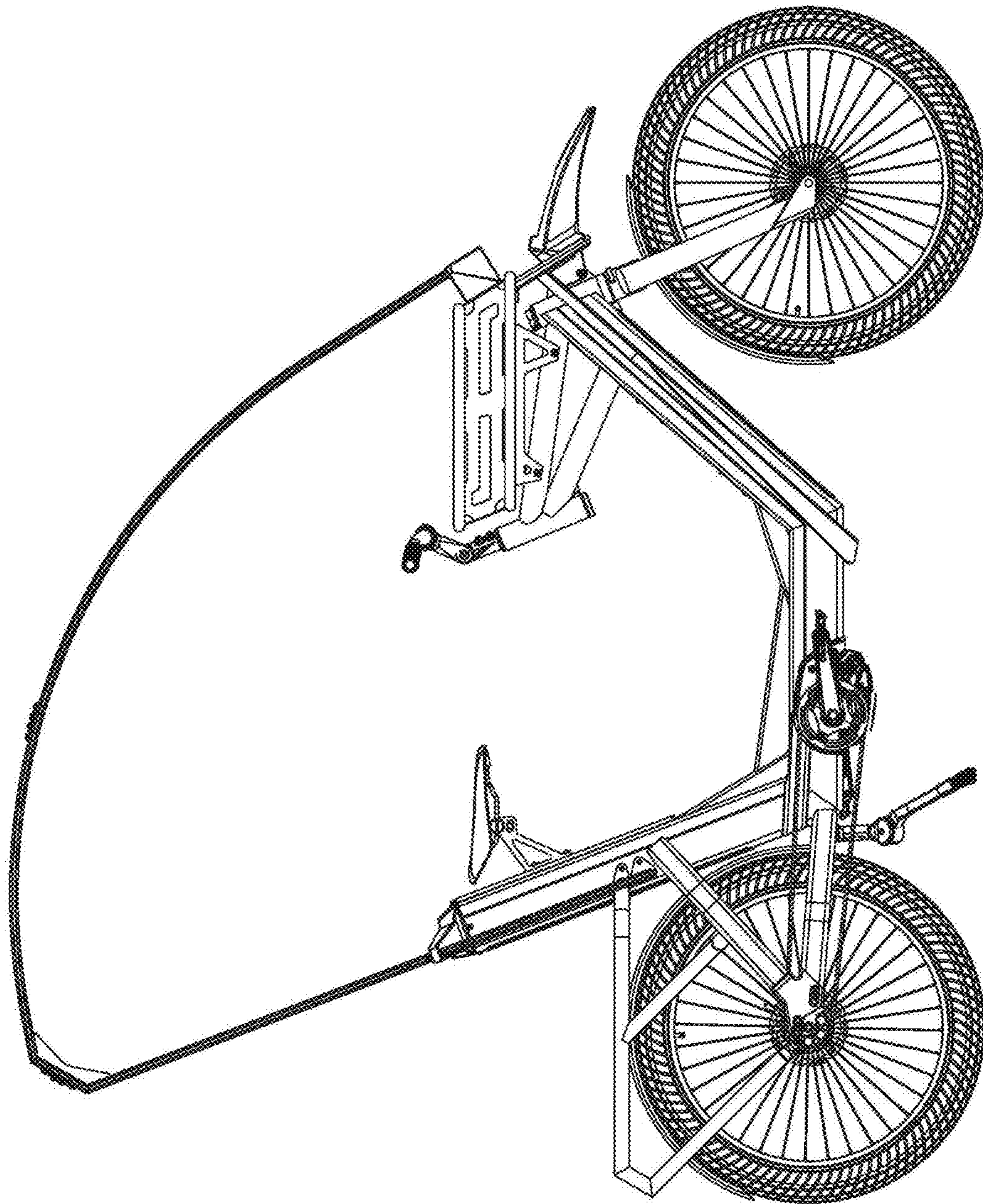


FIG. 1

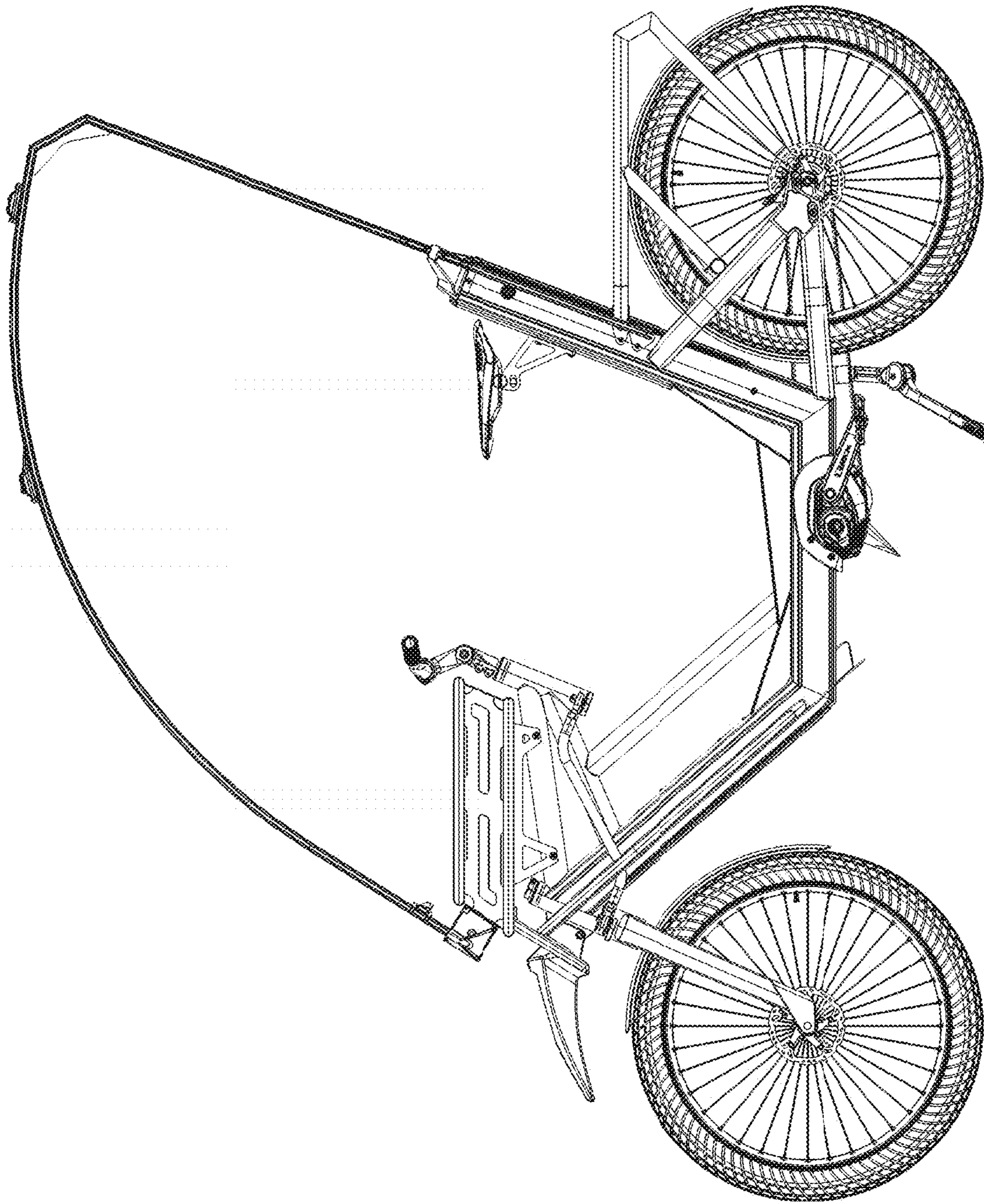


FIG. 2

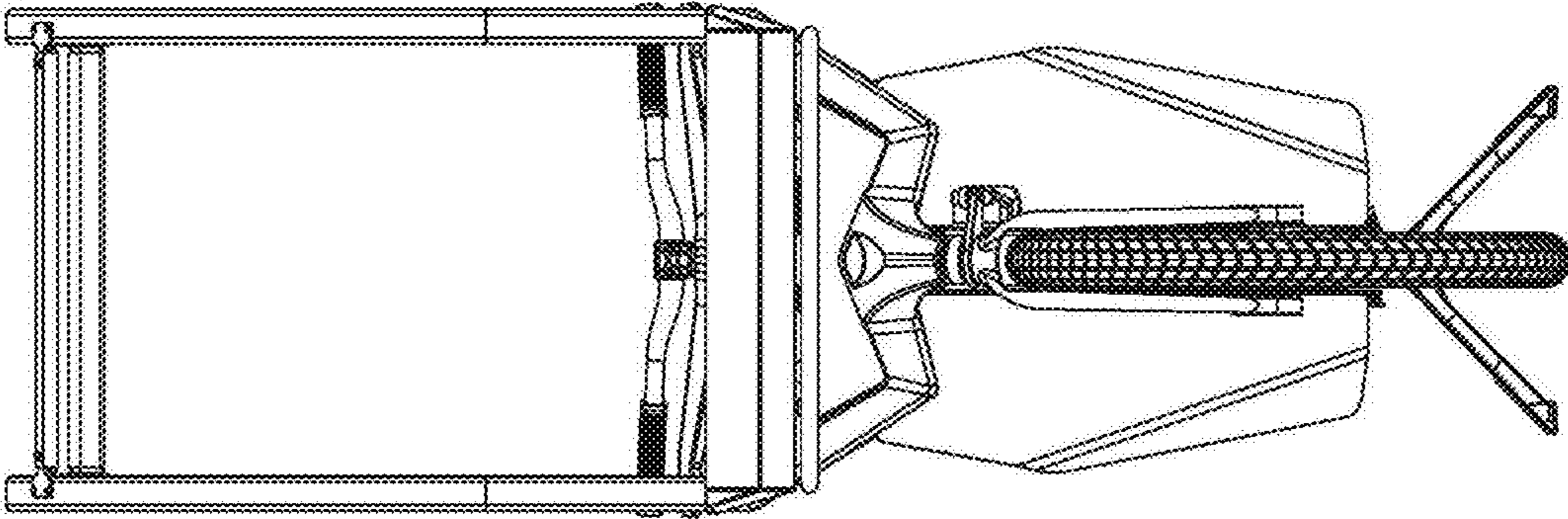


FIG. 3

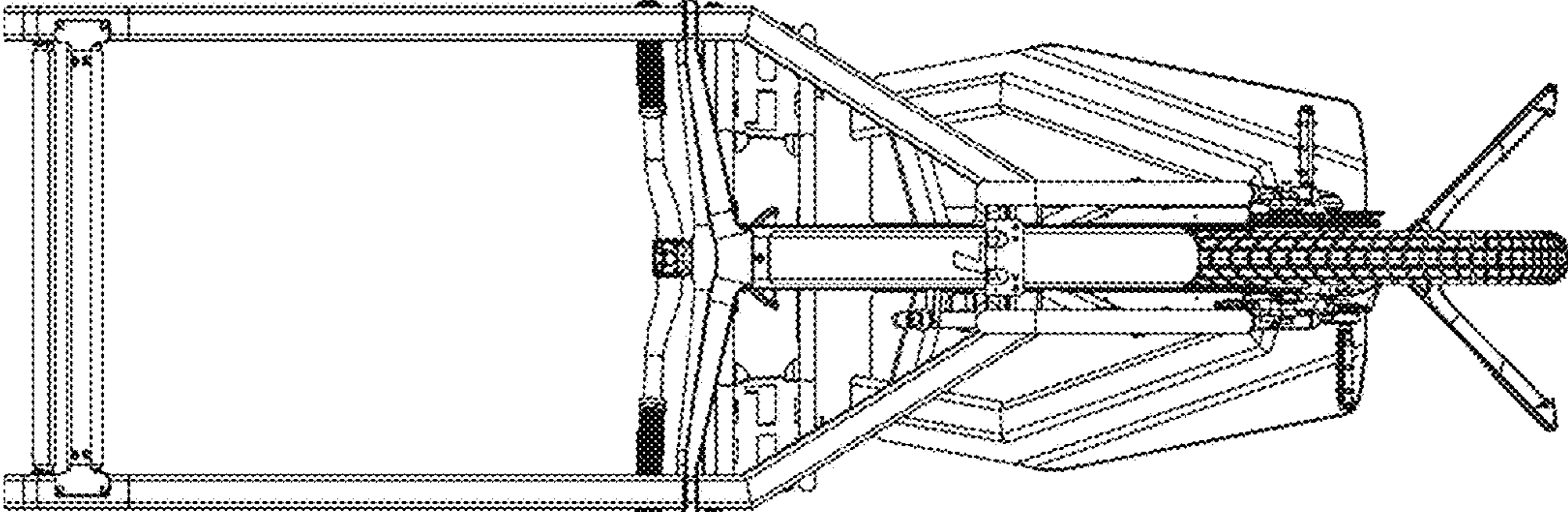


FIG. 4

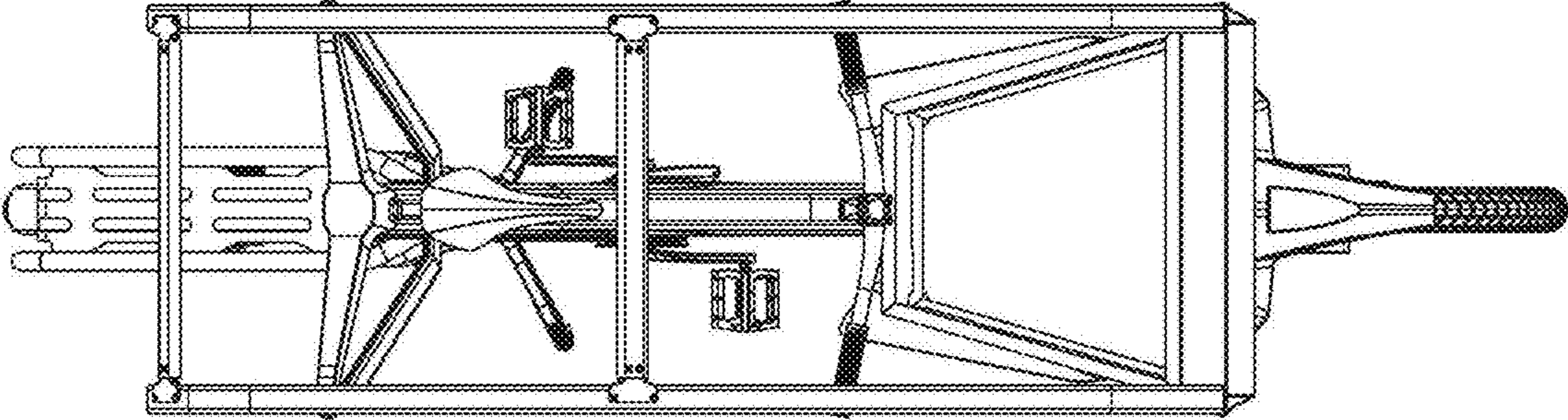


FIG. 5

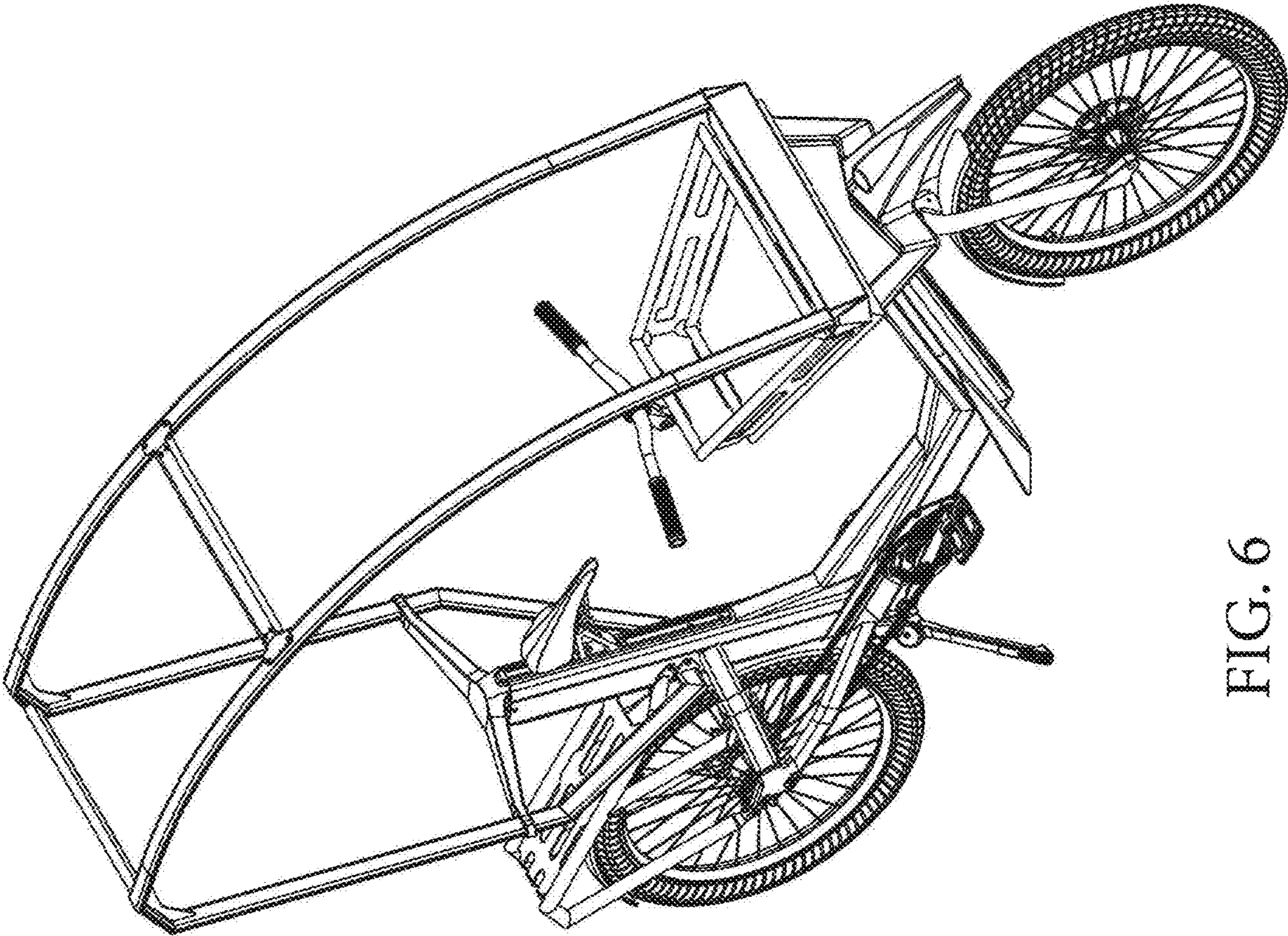


FIG. 6

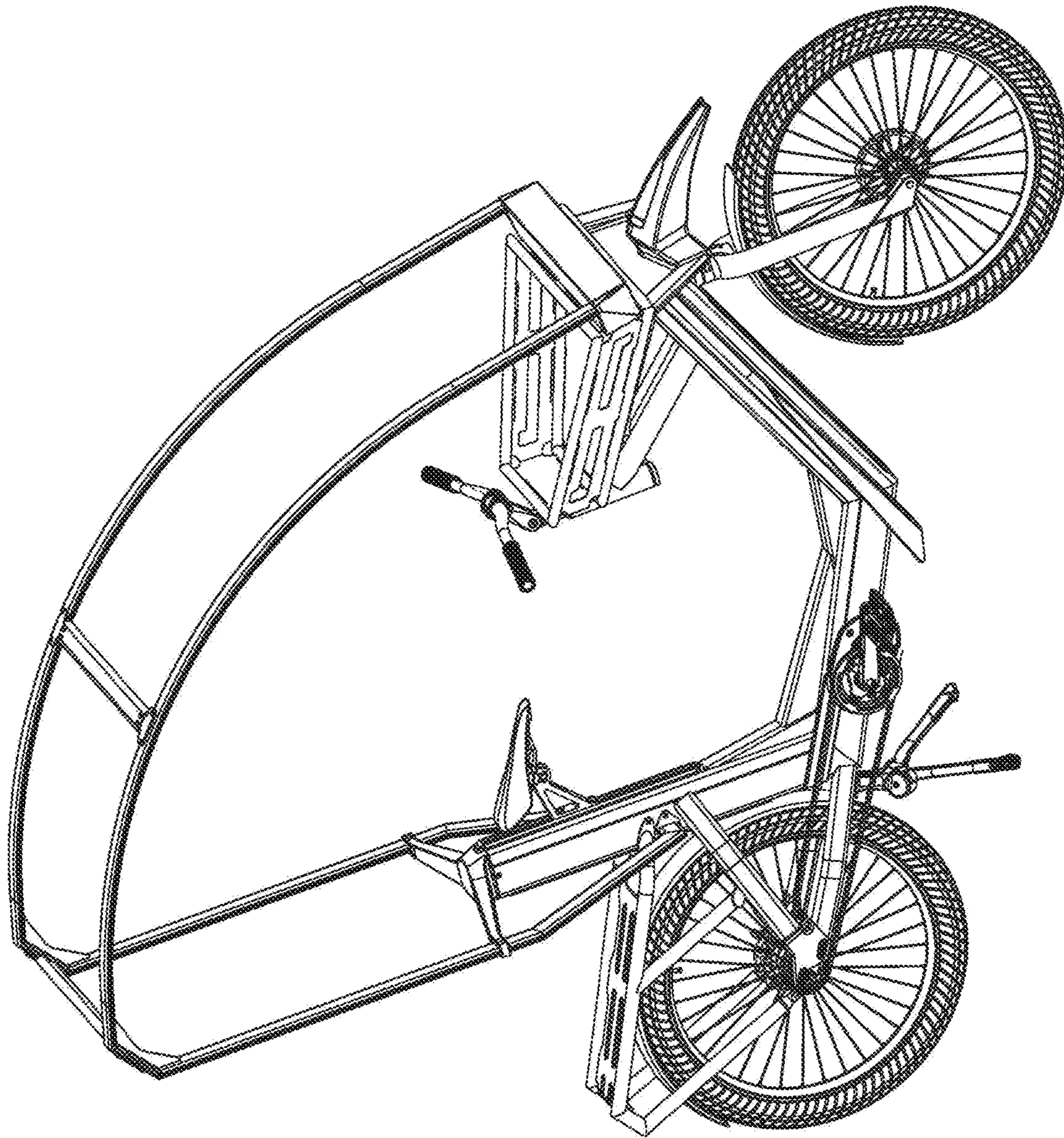


FIG. 7

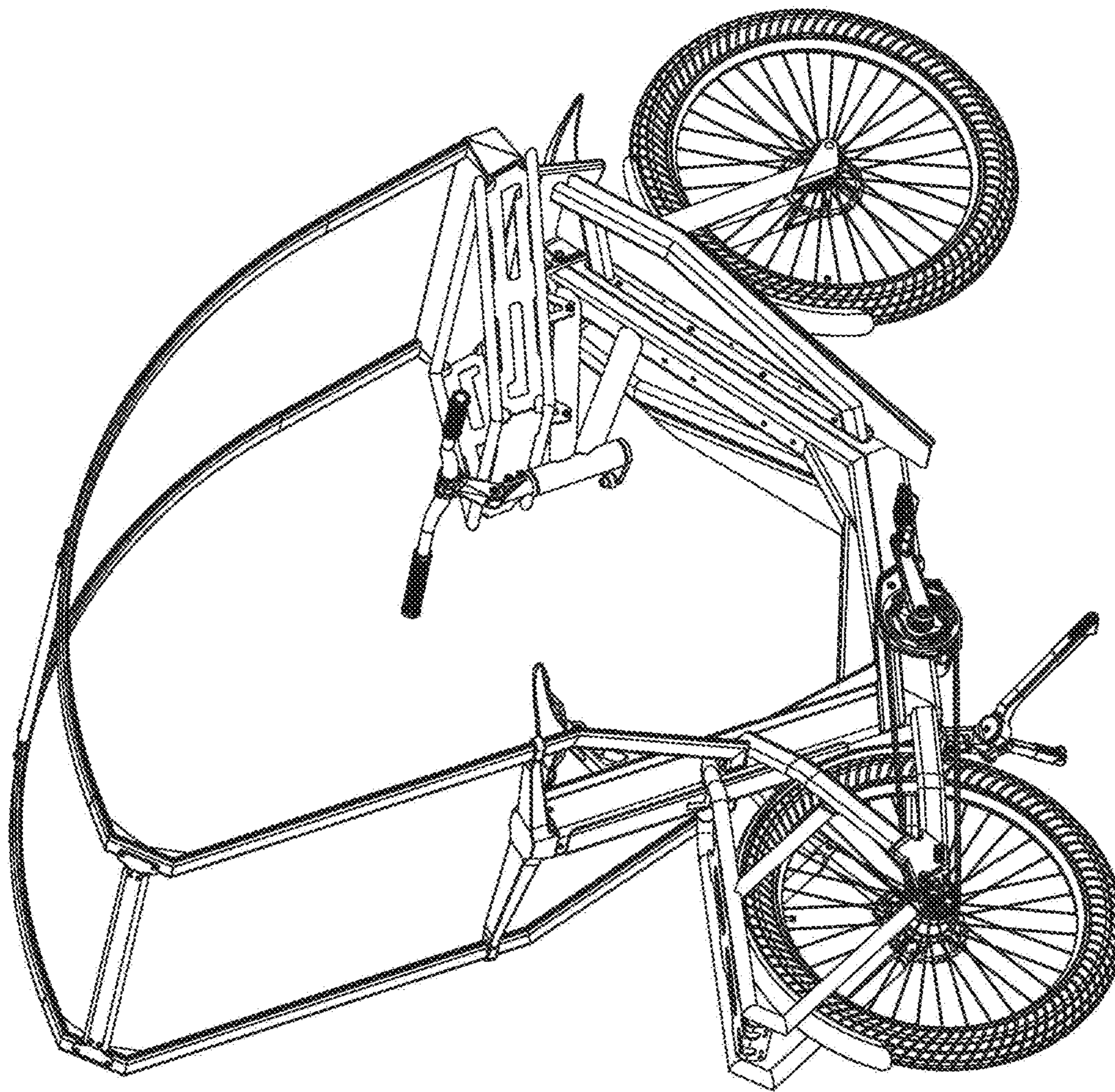


FIG. 8