



US00D985426S

(12) **United States Design Patent** (10) **Patent No.:** **US D985,426 S**
Knight et al. (45) **Date of Patent:** **** May 9, 2023**

(54) **AERIAL VEHICLE**

(71) Applicant: **THE BOEING COMPANY**, Chicago, IL (US)

(72) Inventors: **Hilary G. Knight**, Dorsey, IL (US);
Keith A. Etling, Shiloh, IL (US)

(73) Assignee: **The Boeing Company**, Arlington, VA (US)

(**) Term: **15 Years**

(21) Appl. No.: **29/749,405**

(22) Filed: **Sep. 4, 2020**

(51) **LOC (14) Cl.** **12-06**

(52) **U.S. Cl.**
USPC **D12/16.1; D21/436**

(58) **Field of Classification Search**
USPC D12/16.1, 319, 320, 322, 323, 326, 327,
D12/328, 329, 331, 332, 1, 2, 3, 4;
D21/436, 454
CPC B64C 2201/14
See application file for complete search history.

(56) **References Cited**

U.S. PATENT DOCUMENTS

D160,685 S	*	10/1950	Atkinson	244/45 R
D173,772 S	*	12/1954	Thieblot	D12/332
D202,149 S	*	8/1965	Burnelli et al.	D12/332
D258,583 S	*	3/1981	Jonas	D12/332
D271,485 S	*	11/1983	Tucson	D12/338
D351,131 S	*	10/1994	Inoue	D12/339
D859,280 S	*	9/2019	Calcedonio Boscarino	D12/323

OTHER PUBLICATIONS

Lilium, posted [online], [retrieved Oct. 4, 2022]. Retrieved from internet, <https://lilium.com/jet> (Date: Oct. 4, 2022) (Year: 2022).*
ScanEagle UAV Aircraft No. 274, posted [online], [retrieved Sep. 30, 2022], Retrieved from internet, <https://www.awm.gov.au/collection/C1368527>(Date:Oct. 4, 2022) (Year: 2022).*

* cited by examiner

Primary Examiner — Christian P. McLean

Assistant Examiner — Jessica Lynn Devilbiss

(74) *Attorney, Agent, or Firm* — The Small Patent Law Group LLC; Joseph M. Butscher

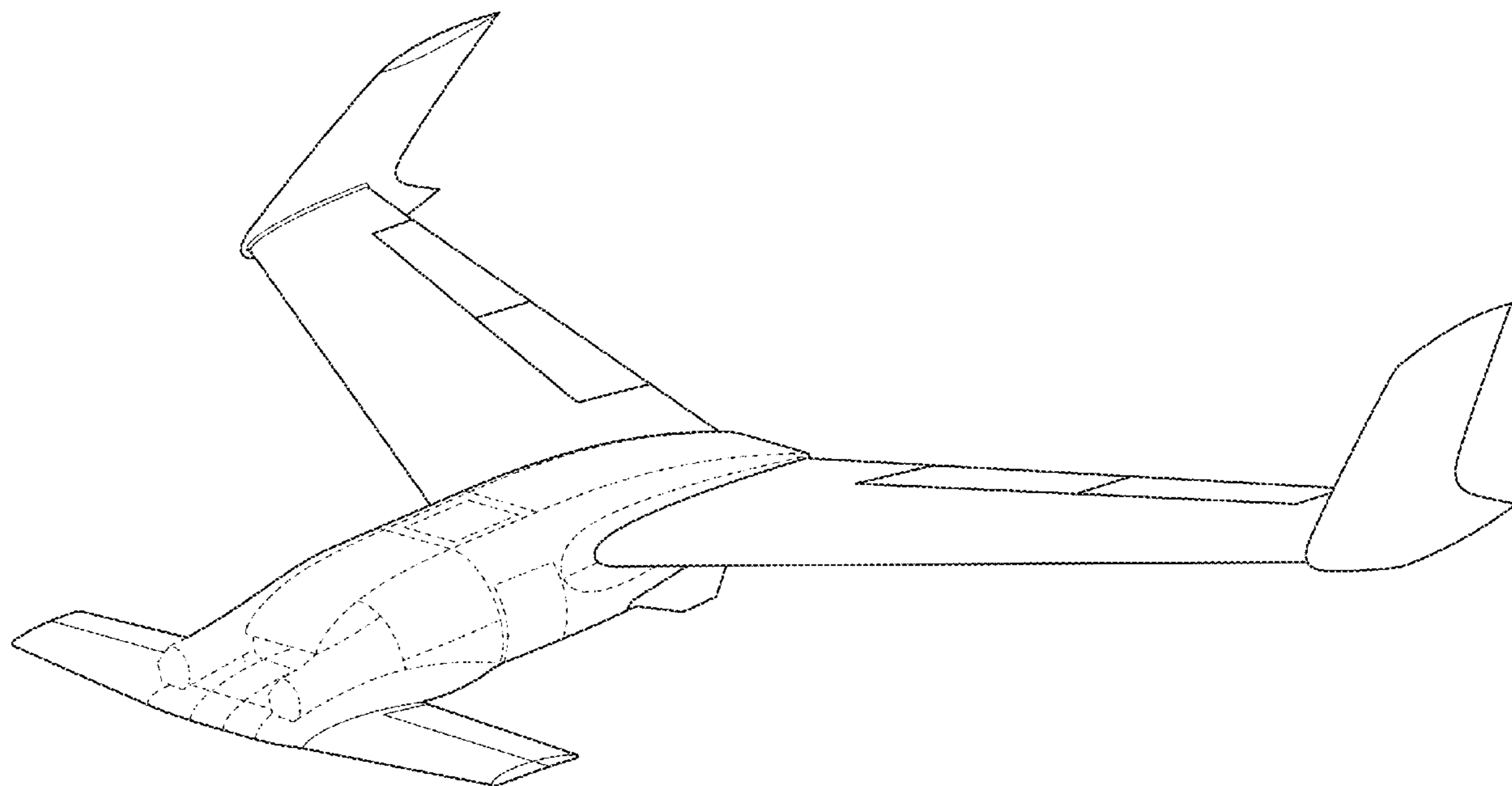
(57) **CLAIM**

The ornamental design for an aerial vehicle, as shown and described.

DESCRIPTION

FIG. 1 is a perspective front top view of an aerial vehicle, showing our new design.
FIG. 2 is a top view thereof.
FIG. 3 is a bottom view thereof
FIG. 4 is a left view thereof.
FIG. 5 is a right view thereof
FIG. 6 is a front view thereof; and,
FIG. 7 is a rear view thereof.
The broken lines illustrate portions of the aerial vehicle that form no part of the claimed design.

1 Claim, 5 Drawing Sheets



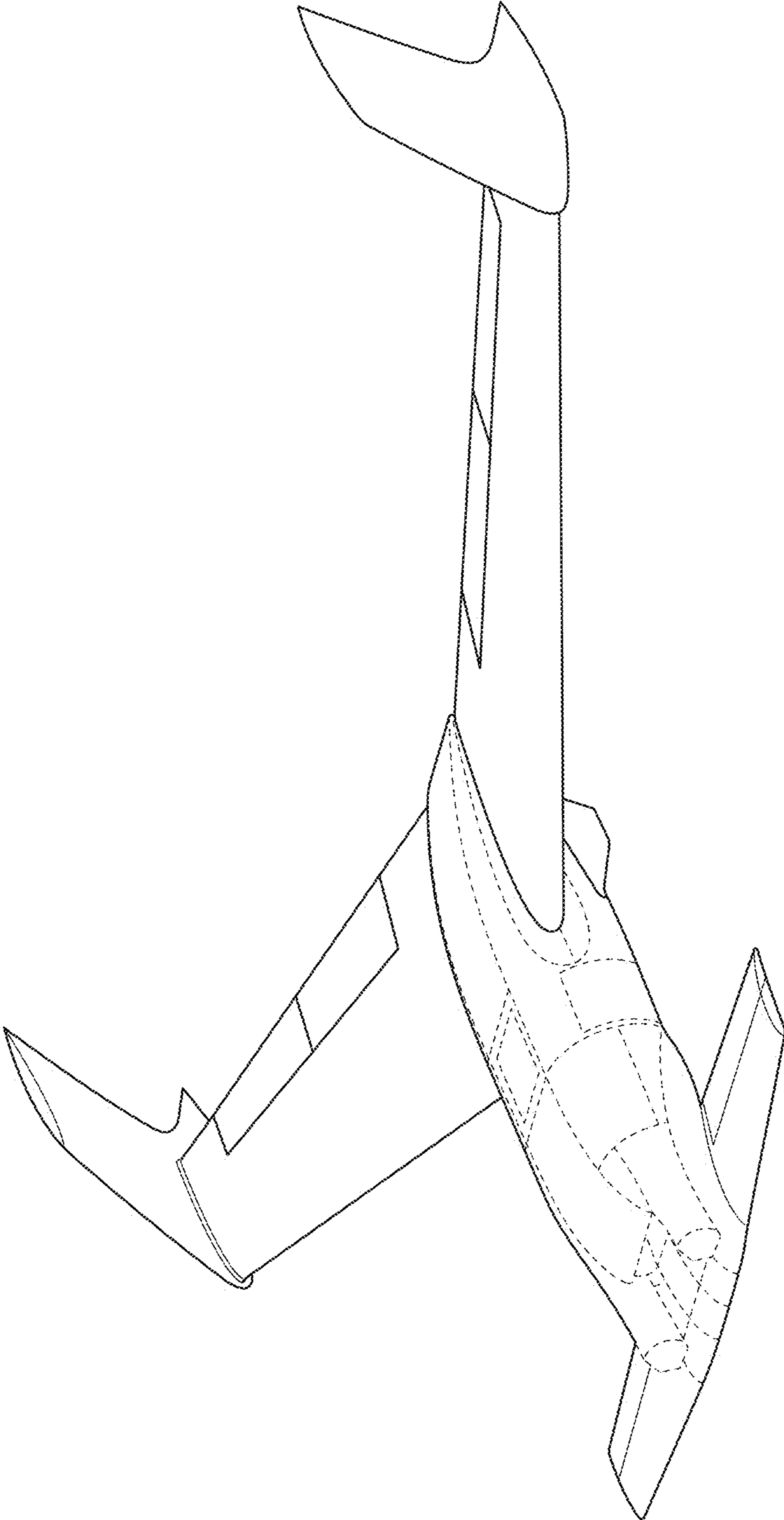


FIG. 1

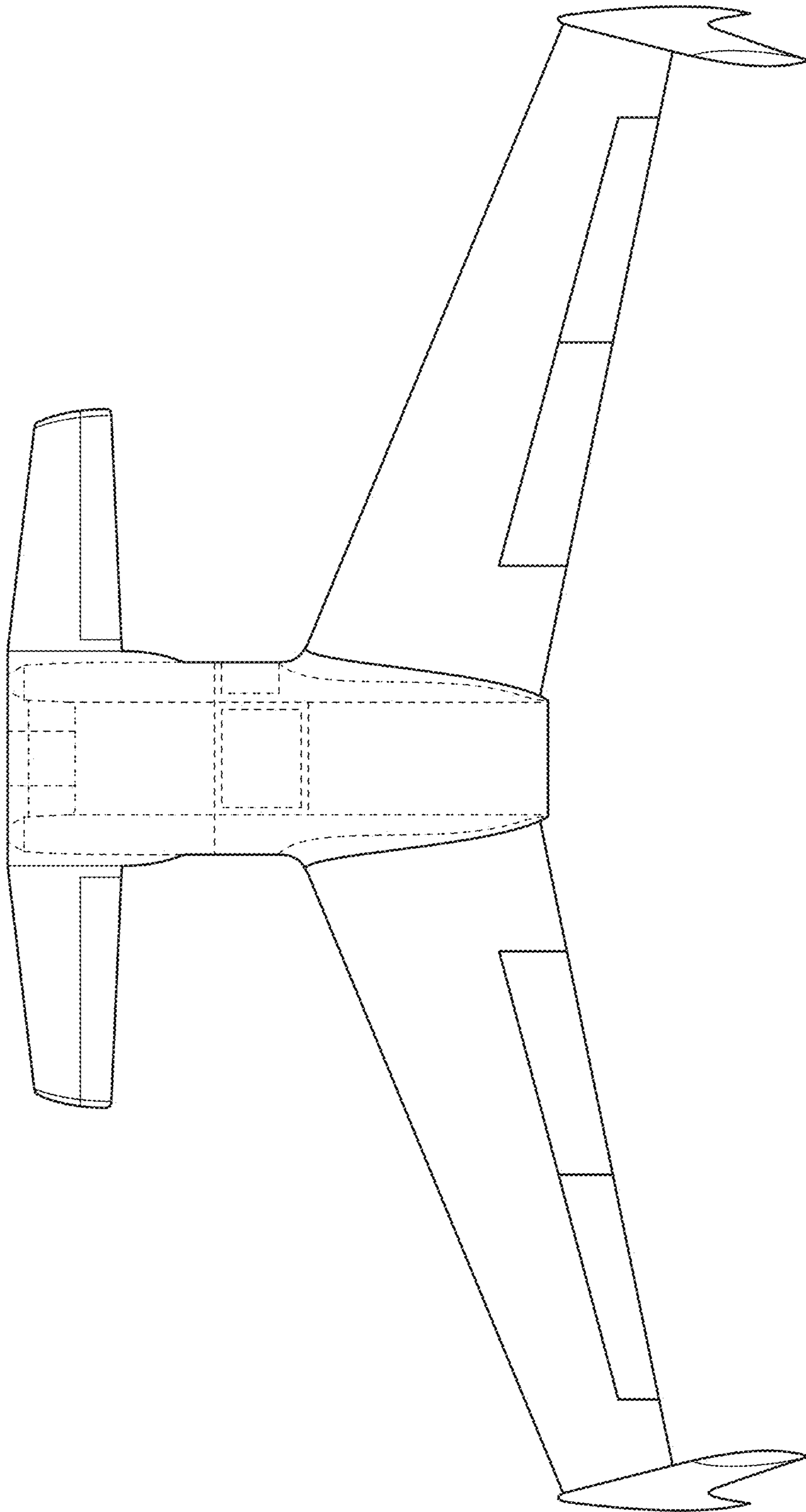


FIG. 2

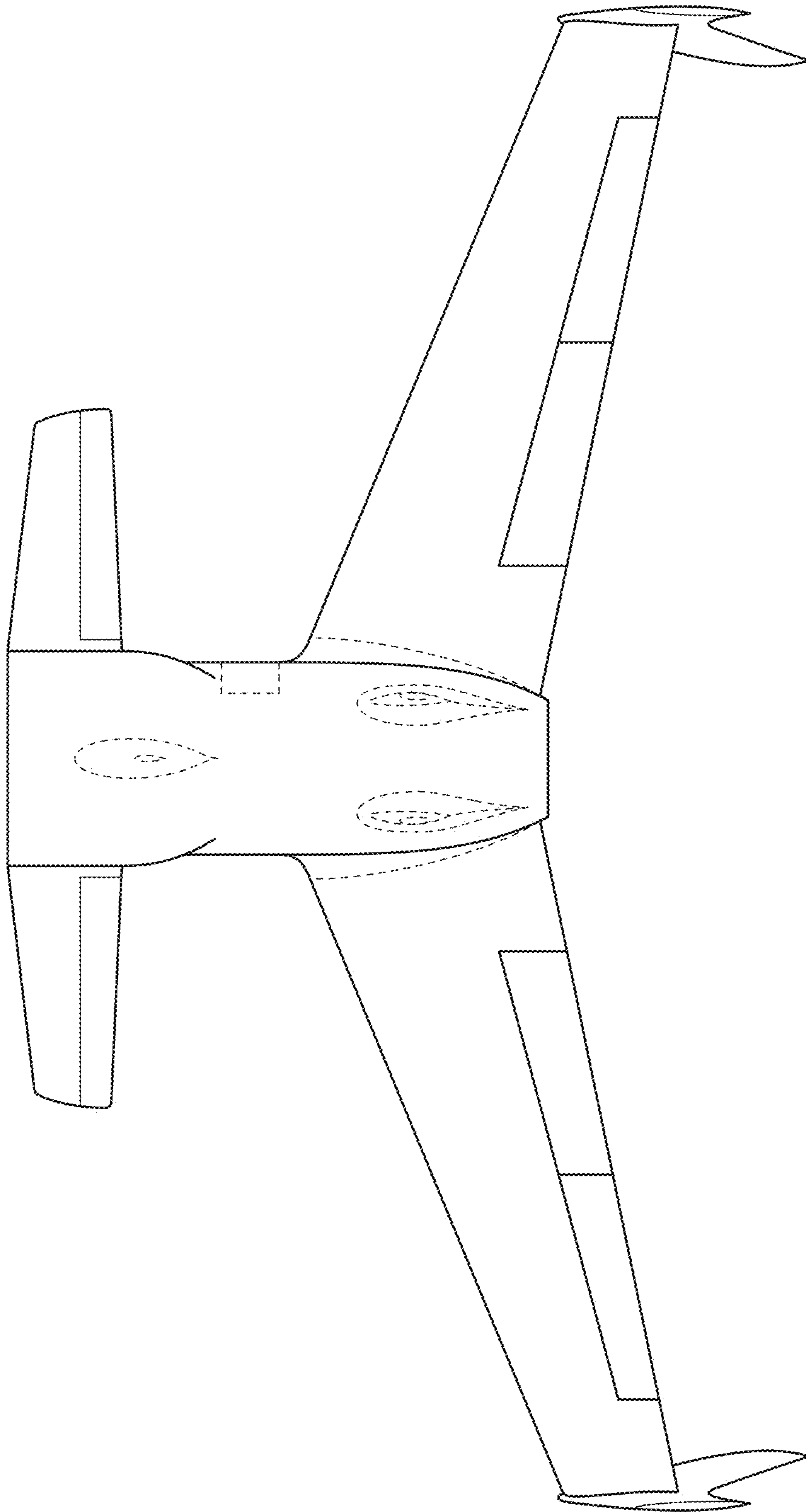


FIG. 3

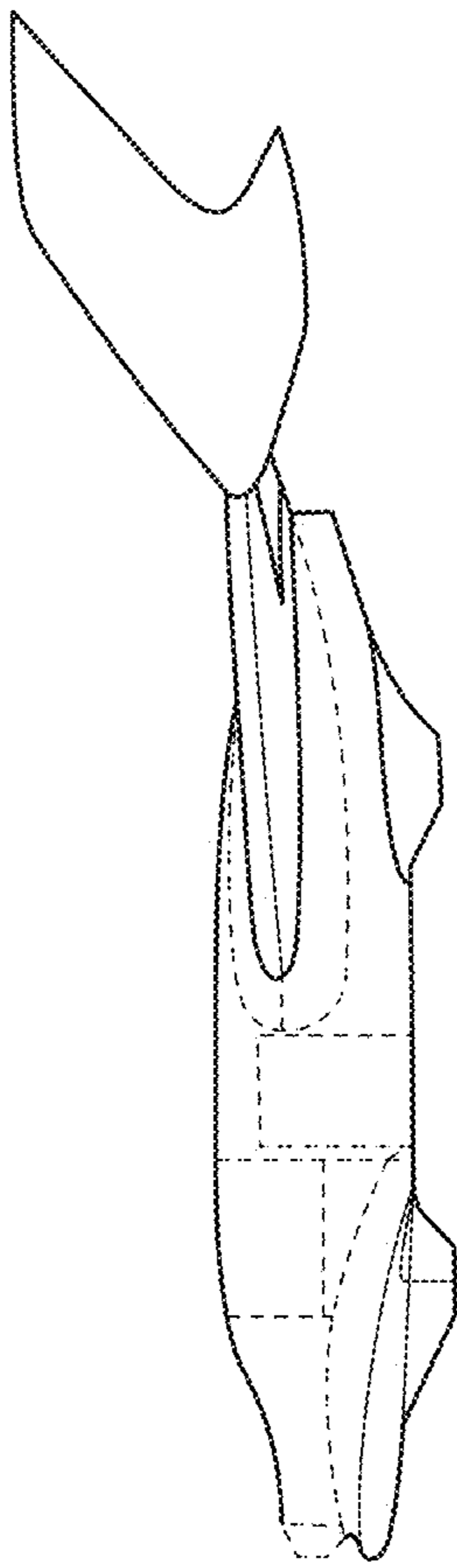


FIG. 4

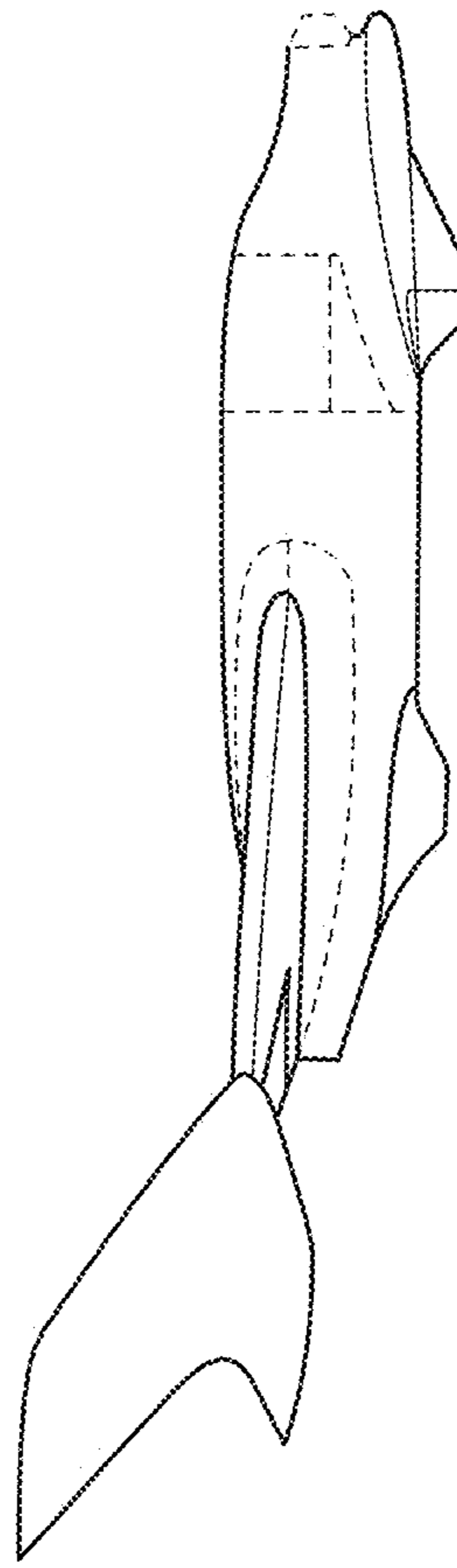


FIG. 5

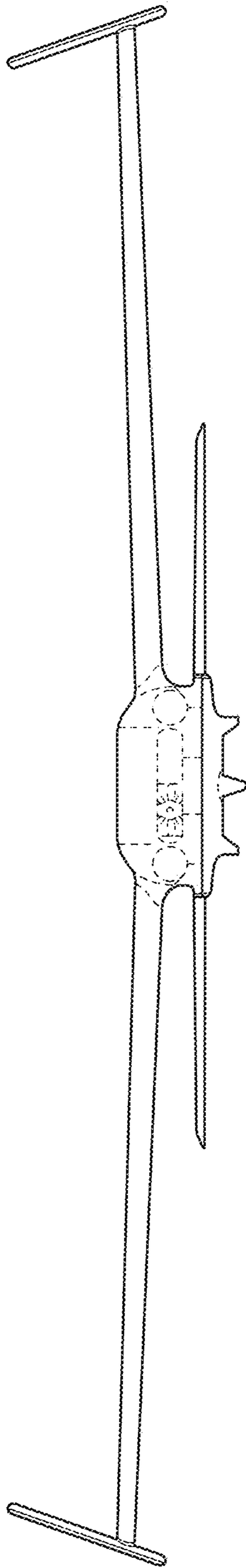


FIG. 6

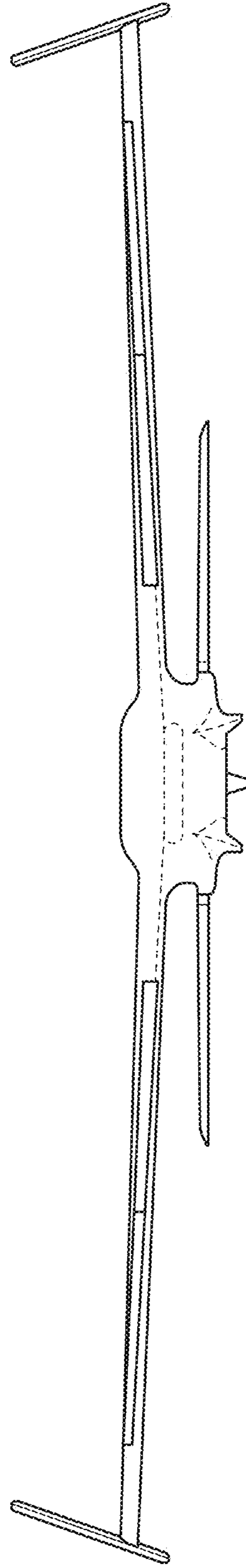


FIG. 7