



US00D985421S

(12) **United States Design Patent**
Ryan et al.

(10) **Patent No.:** **US D985,421 S**
(45) **Date of Patent:** **** May 9, 2023**

- (54) **PLUG**
- (71) Applicant: **Classic Home & Garden, LLC.**,
Monroe, CT (US)
- (72) Inventors: **Fred Joseph Ryan**, Trumbull, CT (US);
Hamilton Scott Team, Cumming, GA (US)
- (73) Assignee: **CLASSIC HOME & GARDEN, LLC**,
Monroe, CT (US)
- (**) Term: **15 Years**
- (21) Appl. No.: **29/782,622**
- (22) Filed: **May 7, 2021**
- (51) **LOC (14) Cl.** **11-02**
- (52) **U.S. Cl.**
USPC **D11/164**
- (58) **Field of Classification Search**
USPC D8/385, 387; D11/164; D9/439
CPC F16B 5/02; F16B 5/0275; F16B 23/003;
F16B 33/02; F16B 25/0057; F16B 35/06;
F16B 25/106; F16B 35/065; F16B
25/0047; F16B 25/0015; F16B 25/0052;
F16B 25/0084; F16B 13/001; F16B
13/002; F16B 13/003; F16B 13/004;
F16B 13/005; F16B 2013/006; F16B
2013/007; A01G 9/02
See application file for complete search history.

- (56) **References Cited**
U.S. PATENT DOCUMENTS
4,861,206 A * 8/1989 Riedel F16B 13/12
411/36
4,892,429 A * 1/1990 Giannuzzi F16B 39/32
411/383
5,145,301 A * 9/1992 Yamamoto F16B 13/141
411/72
5,160,225 A * 11/1992 Chern F16B 13/002
408/209

- 5,536,121 A * 7/1996 McSherry F16B 13/002
411/387.1
- 5,558,479 A * 9/1996 McElderry F16B 13/002
411/178
- 5,752,792 A * 5/1998 McSherry F16B 13/002
411/31
- 5,833,415 A * 11/1998 McSherry F16B 13/002
411/395
- 6,382,892 B1 * 5/2002 Hempfling F16B 25/0026
411/178
- D462,895 S * 9/2002 Gaudron D8/385
- 6,679,661 B2 * 1/2004 Huang F16B 13/002
411/395

(Continued)

FOREIGN PATENT DOCUMENTS

- GB 3002448 * 7/2002
- GB 6019948 * 10/2017

(Continued)

Primary Examiner — S. Bryan Reinholdt, Jr.
Assistant Examiner — Ieisha N Price
(74) *Attorney, Agent, or Firm* — Tutunjian & Bitetto, P.C.

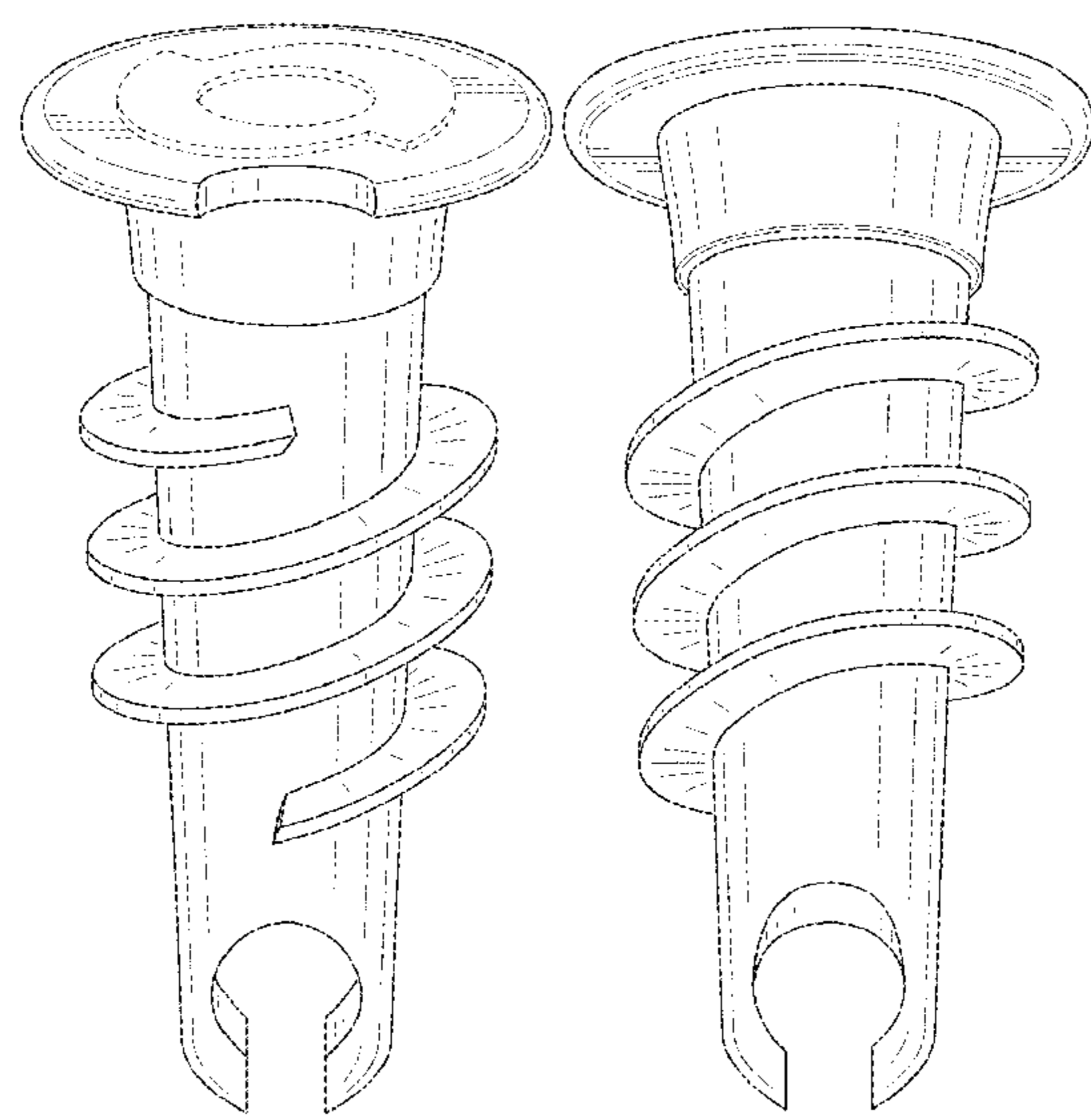
(57) **CLAIM**

The ornamental design for a plug, as shown and described.

DESCRIPTION

FIG. 1 is a front perspective view of the plug showing our new design;
FIG. 2 is a back perspective view thereof;
FIG. 3 is a front view thereof;
FIG. 4 is a back view thereof;
FIG. 5 is a left side view thereof;
FIG. 6 is a right side view thereof;
FIG. 7 is a top view thereof; and,
FIG. 8 is a bottom view thereof.
The broken lines in the drawings illustrate portions of the plug that form no part of the claimed design.

1 Claim, 5 Drawing Sheets



(56)

References Cited

U.S. PATENT DOCUMENTS

D536,956 S * 2/2007 Huang D8/385
 D593,141 S * 5/2009 Gaudron D15/139
 D605,933 S * 12/2009 Gaudron D8/385
 D642,900 S * 8/2011 McDuff D8/385
 D759,472 S * 6/2016 Nehl D8/385
 9,386,977 B2 * 7/2016 Lunn A61B 17/0401
 D769,703 S * 10/2016 Kempf D8/385
 D769,705 S * 10/2016 Moreau D8/382
 D771,482 S * 11/2016 Nehl D8/385
 D848,251 S * 5/2019 Wang D8/385
 D860,770 S * 9/2019 Frey D8/385
 D921,479 S * 6/2021 Smith D8/387
 11,174,885 B2 * 11/2021 Wang F16B 13/002
 11,350,924 B2 * 6/2022 Wahl A61B 17/0401
 D957,927 S * 7/2022 Wang D8/387
 D959,969 S * 8/2022 Wang D8/385
 2003/0206784 A1 * 11/2003 Huang F16B 13/002
 411/29
 2006/0165506 A1 * 7/2006 Panasik F16B 13/002
 411/30
 2008/0147063 A1 * 6/2008 Cauldwell A61B 17/0487
 606/60

2010/0003100 A1 * 1/2010 Ernst F16B 33/02
 411/30
 2010/0152773 A1 * 6/2010 Lunn A61B 17/0401
 606/232
 2013/0035721 A1 * 2/2013 Brunelle A61B 17/0401
 606/232
 2017/0343025 A1 * 11/2017 Daykin F16B 31/027
 2020/0173482 A1 * 6/2020 Faghidi F16B 33/006
 2021/0003161 A1 * 1/2021 Adams F16B 13/002
 2021/0040971 A1 * 2/2021 Pirozzi F16B 13/002
 2022/0090616 A1 * 3/2022 McDuff F16B 13/002
 2022/0268303 A1 * 8/2022 Gillis F16B 5/0657

FOREIGN PATENT DOCUMENTS

GB 6028296 * 2/2018
 GB 6028299 * 2/2018
 JP D1126643 * 11/2001
 JP D1508238 * 10/2014
 JP D1545177 * 3/2016
 JP D1570055 * 2/2017
 KR 301146220.0000 * 1/2022
 TW 136307-0001 * 8/2010

* cited by examiner

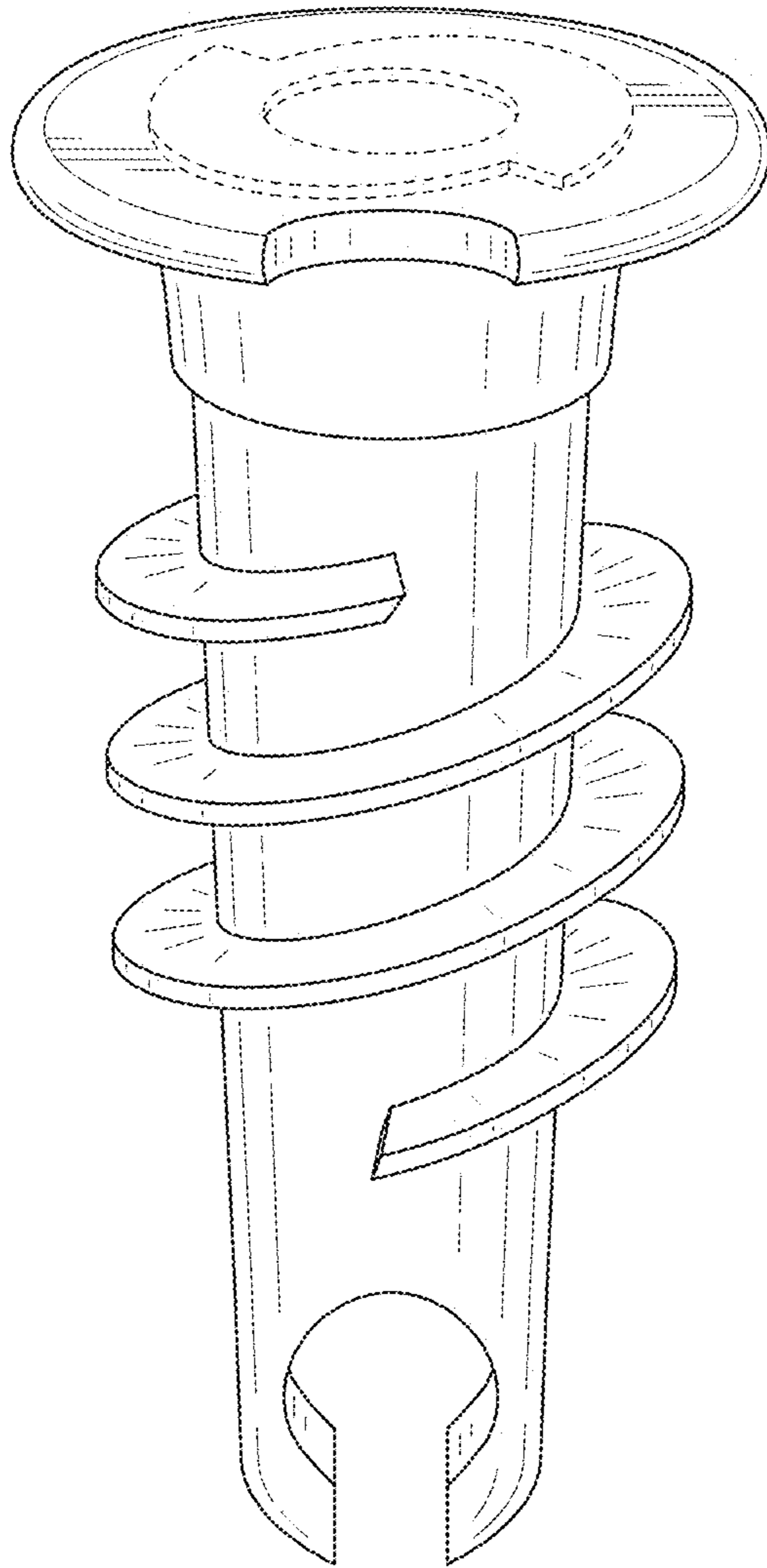


FIG. 1

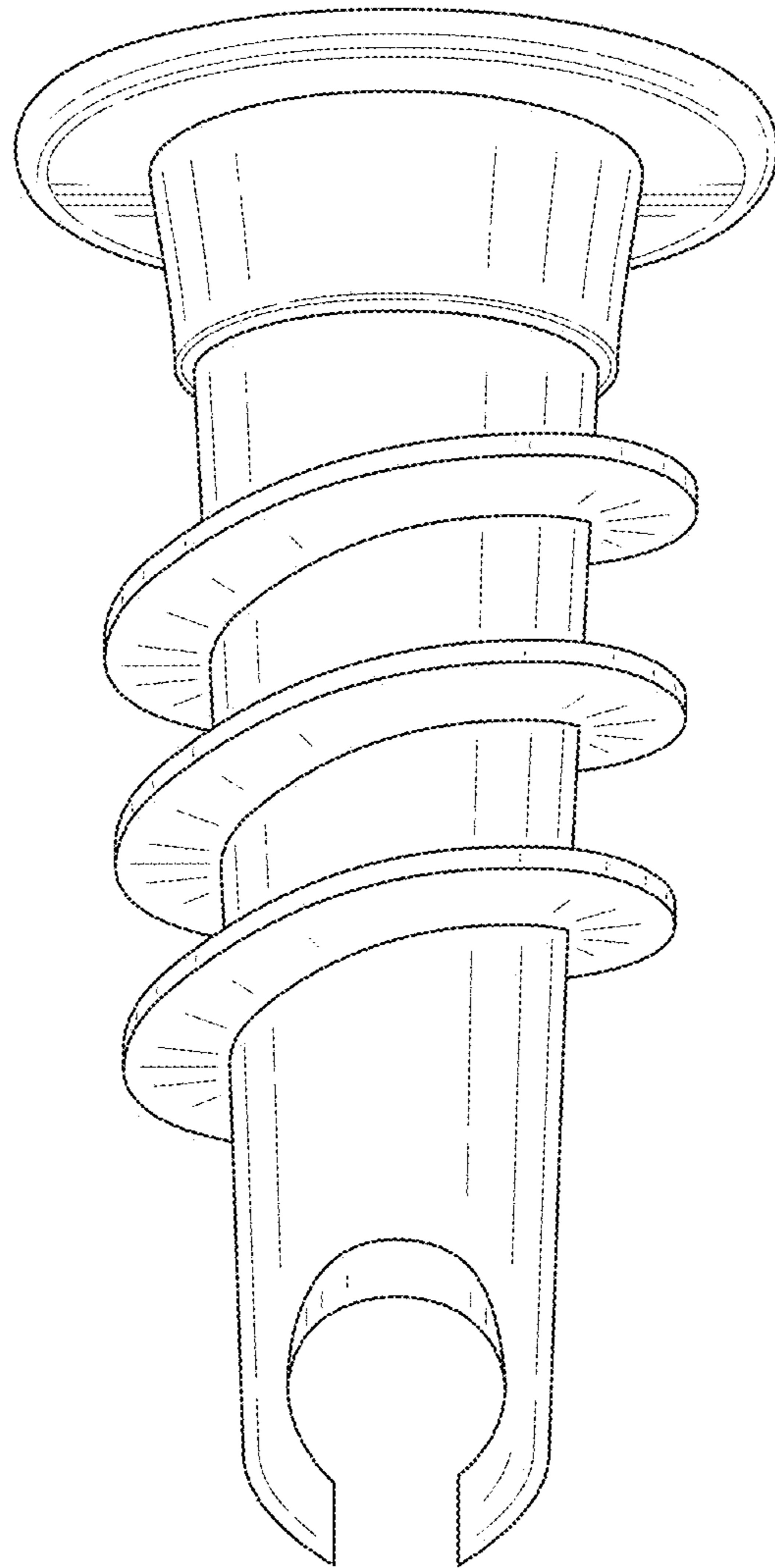


FIG. 2

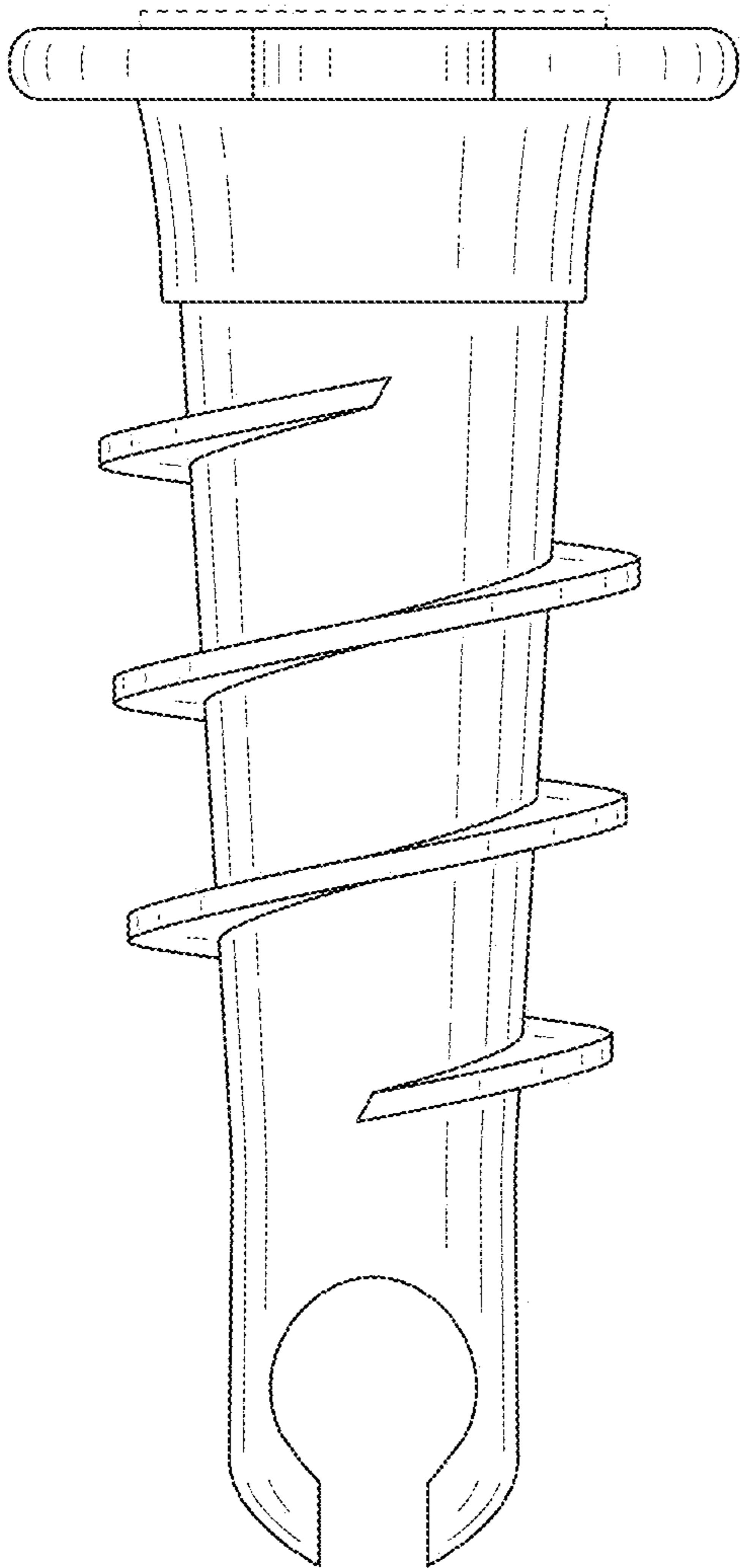


FIG. 3

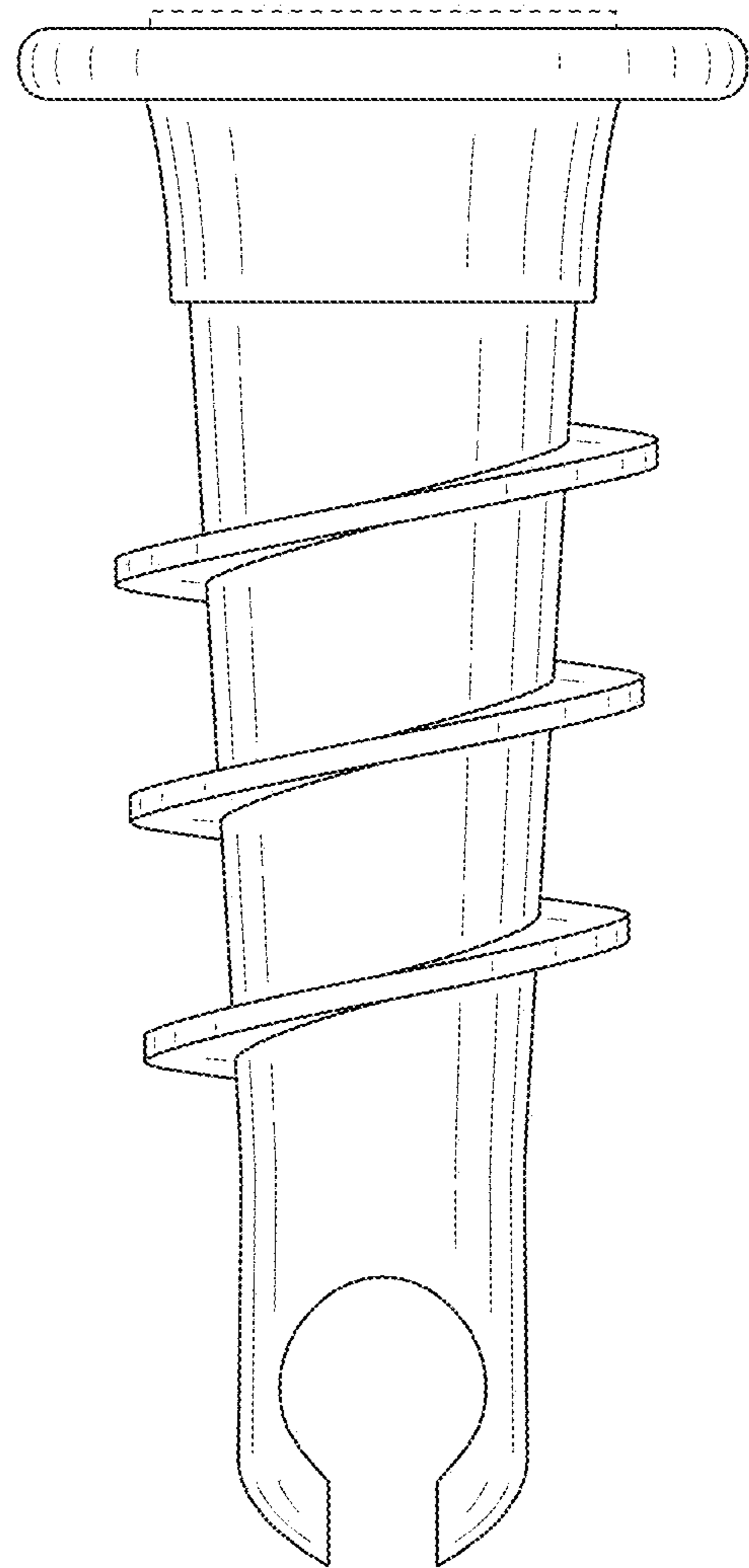


FIG. 4

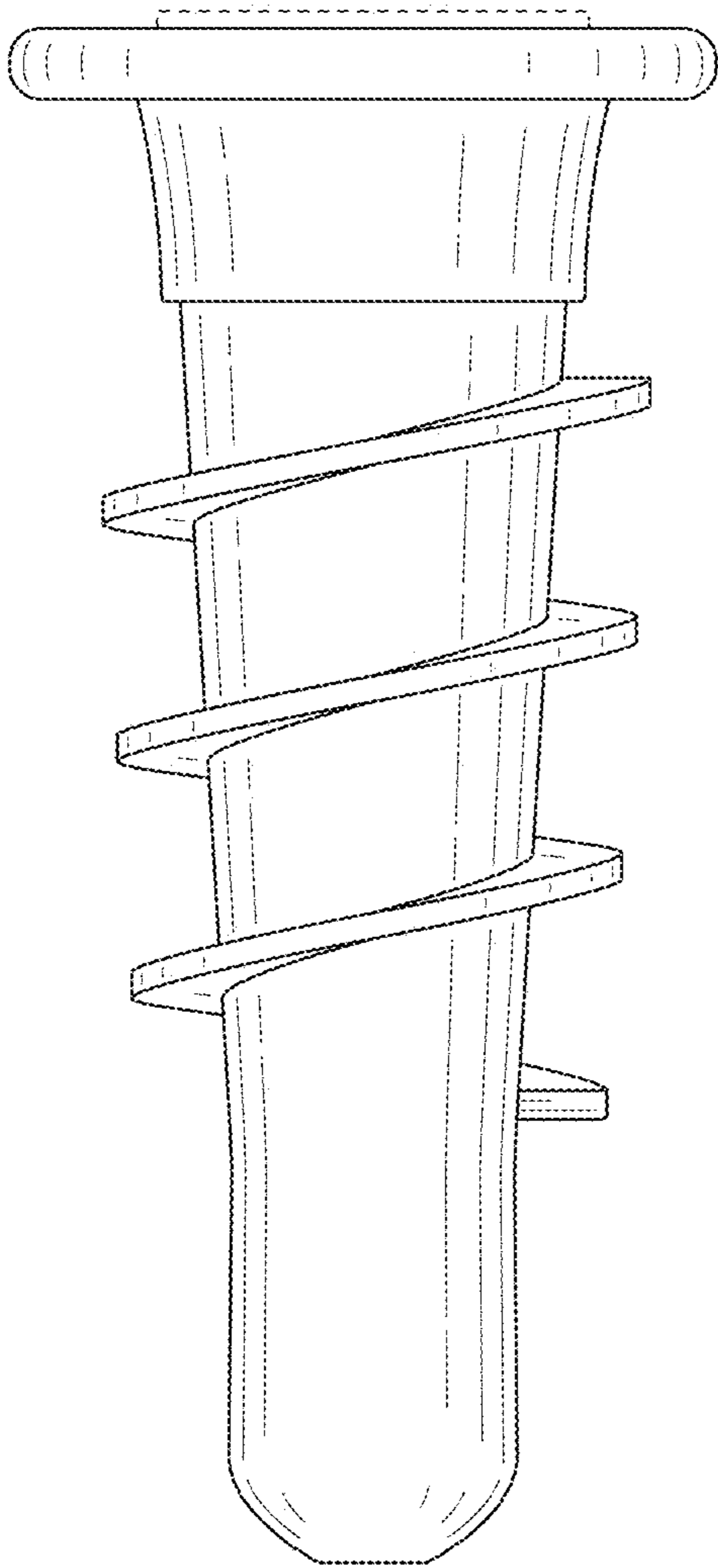


FIG. 5

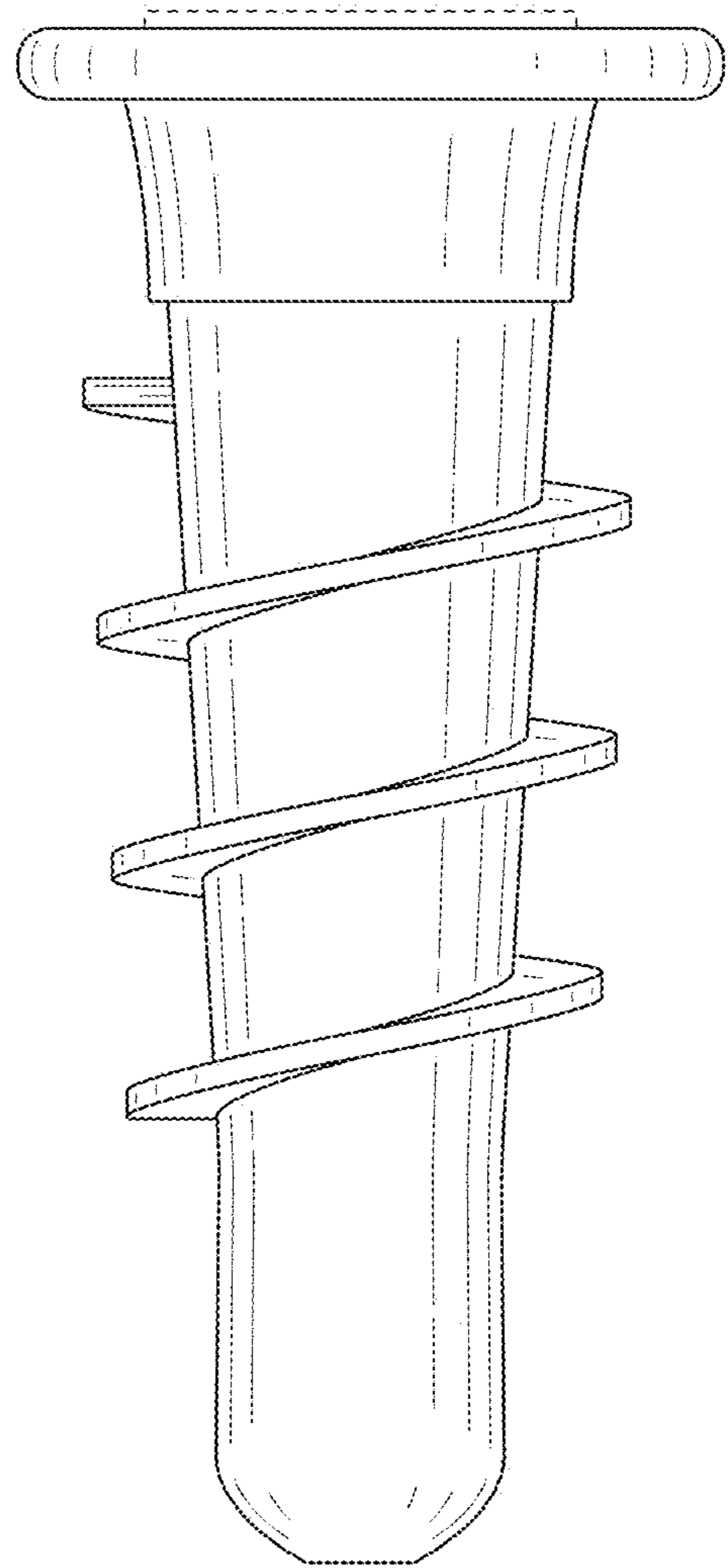


FIG. 6

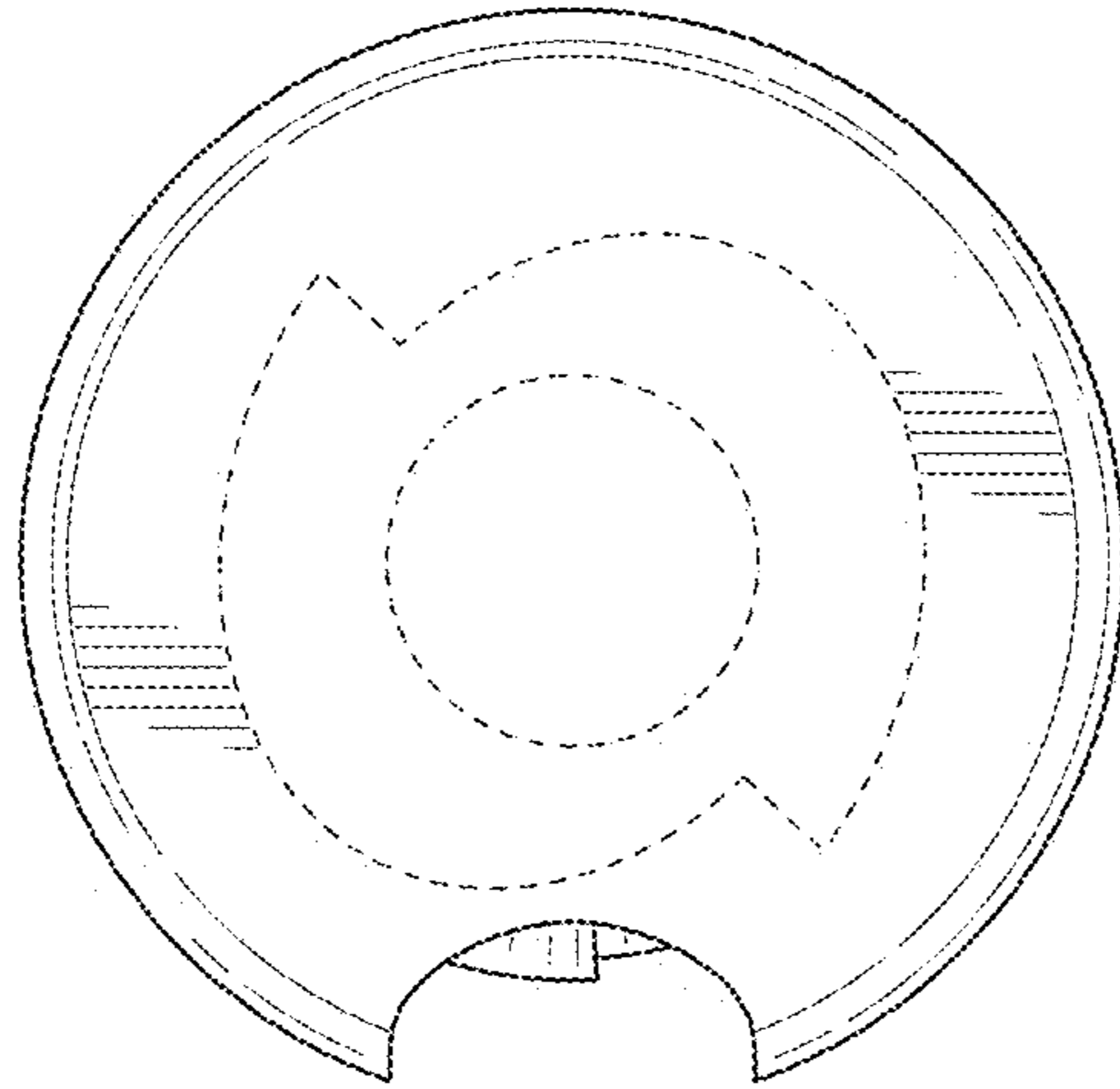


FIG. 7

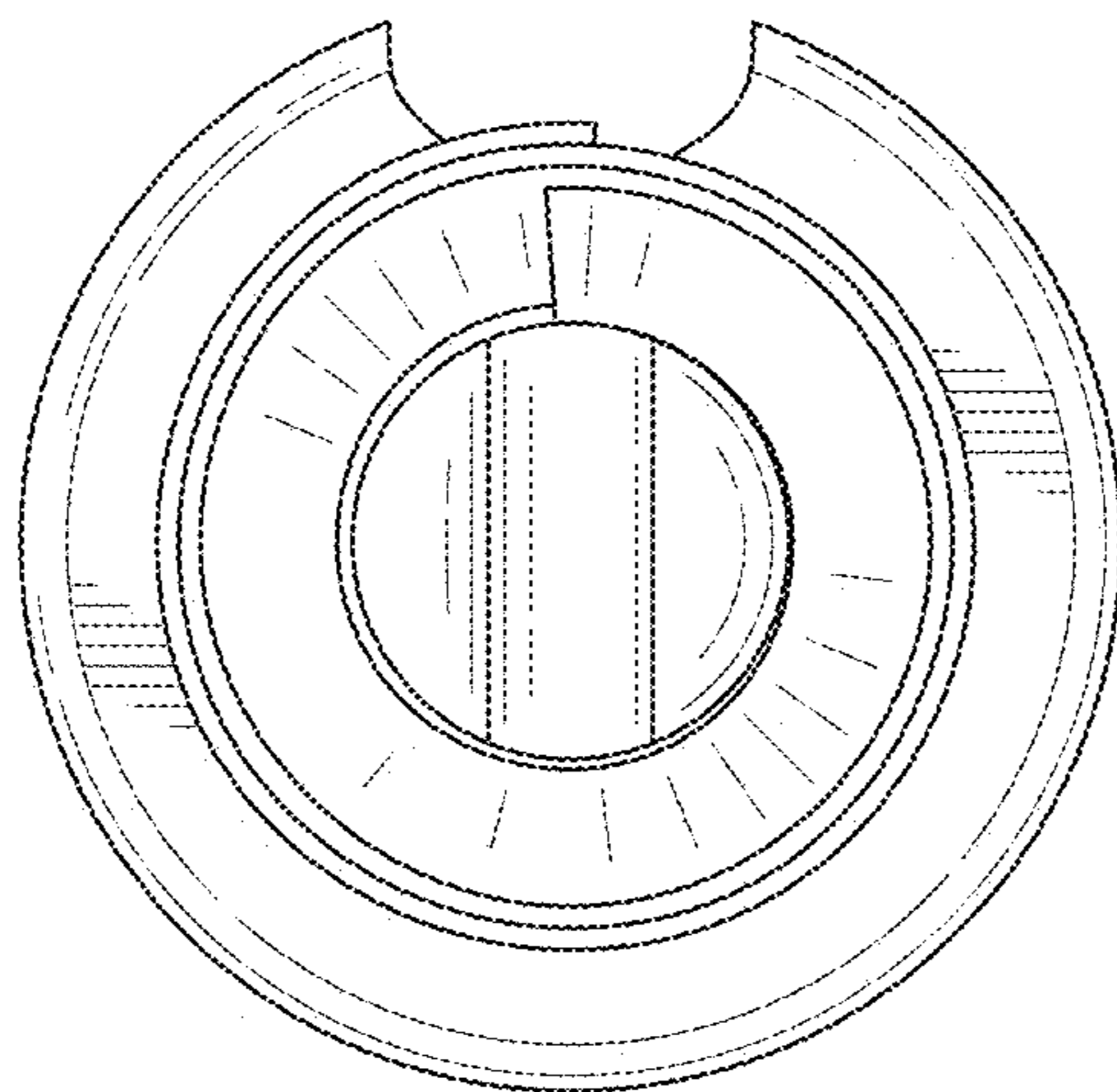


FIG. 8