



US00D985420S

(12) **United States Design Patent** (10) **Patent No.:** **US D985,420 S**
Palacio et al. (45) **Date of Patent:** **** May 9, 2023**

(54) **FLORAL ARRANGEMENT KIT**

FOREIGN PATENT DOCUMENTS

(71) Applicant: **Floral Palace Inc.**, Miami, FL (US)

KR 300958951.0000 * 6/2018

(72) Inventors: **Claudia P Palacio**, Miami, FL (US);
Luis Ernesto Palacio, Miami, FL (US)

OTHER PUBLICATIONS

(**) Term: **15 Years**

Coming soon. Online [website]. Instagram, posted online by user @floralpalaceinc on Jun. 30, 2021 [retrieved on Dec. 23, 2022]. Retrieved from the internet: <https://www.instagram.com/p/CQwPVsEL7bQ/?hl=en>. (Year: 2021).*

(21) Appl. No.: **29/795,260**

(Continued)

(22) Filed: **Jun. 17, 2021**

(51) **LOC (14) Cl.** **11-02**

Primary Examiner — Richard Kearney

(52) **U.S. Cl.**

Assistant Examiner — Grace Doyle

USPC **D11/146**

(74) *Attorney, Agent, or Firm* — Andrew Rapacke

(58) **Field of Classification Search**

USPC D11/131, 143–146, 152–156; D6/403, D6/556; D26/55; D9/415, 517
CPC . A01G 9/02; A01G 9/04; A01G 9/021; A01G 9/042; A01G 9/0291; A01G 27/02; A47G 7/00; A47G 7/02; A47G 7/04; A47G 7/06; A47G 7/006; A47G 7/025; F21V 33/0028; F21V 35/00; A47K 1/09

See application file for complete search history.

(57) **CLAIM**

The ornamental design for a floral arrangement kit, as shown and described.

DESCRIPTION

FIG. 1 is an isolated perspective view of the floral arrangement kit, showing the new design; FIG. 2 is a front elevational view of the floral arrangement kit thereof; FIG. 3 is a rear elevational view of the floral arrangement kit thereof; FIG. 4 is a left side elevational view of the floral arrangement kit thereof; FIG. 5 is a right side elevational view of the floral arrangement kit thereof; FIG. 6 is a top plan view of the floral arrangement kit thereof; FIG. 7 is a bottom plan view of the floral arrangement kit thereof; and, FIG. 8 is another perspective view of the floral arrangement kit thereof.

The broken lines in the drawings illustrate environmental subject matter and form no part of the claimed design.

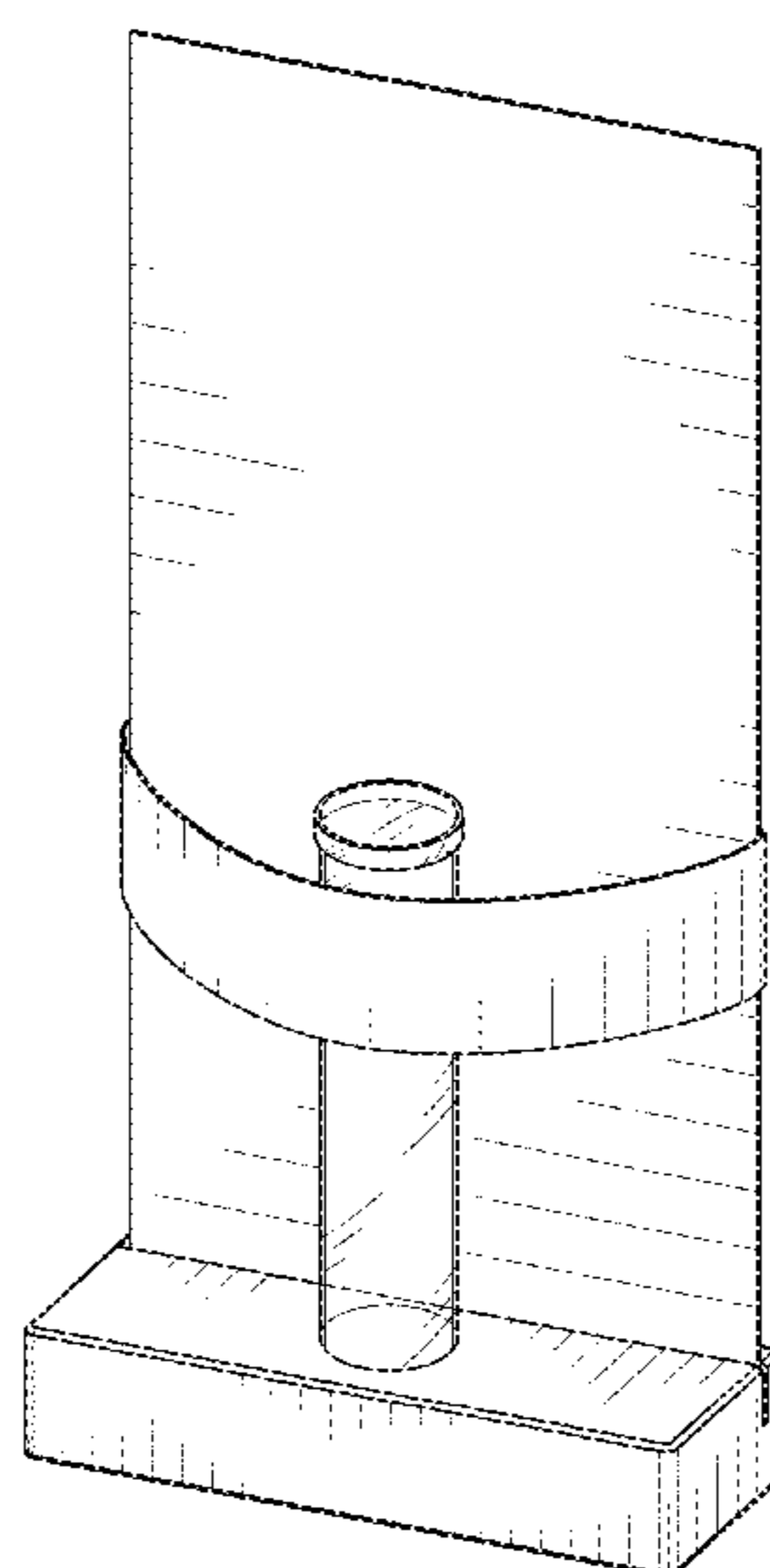
(56) **References Cited**

U.S. PATENT DOCUMENTS

1,397,350 A * 11/1921 Baker A47K 1/09 312/206
1,828,295 A * 10/1931 Roy A47G 7/00 47/41.11
1,885,879 A * 11/1932 Whittington A47G 7/00 40/725
D147,929 S * 11/1947 Rudnitzky D11/131
D152,655 S * 2/1949 Rossell D11/147
D156,471 S * 12/1949 Winchester D11/146
D206,494 S * 12/1966 Watts D9/415
3,707,806 A * 1/1973 Toews B65D 25/2823 47/87
4,767,089 A * 8/1988 Self A47G 7/025 248/152
D303,360 S * 9/1989 Levine D11/144

(Continued)

1 Claim, 4 Drawing Sheets



(56)

References Cited

U.S. PATENT DOCUMENTS

D347,195 S * 5/1994 Carroll D11/144
5,366,192 A * 11/1994 Carroll A47G 1/141
248/152
6,401,943 B1 * 6/2002 Root A47K 1/09
D6/528
D491,486 S * 6/2004 Bonilla A47G 1/141
D11/144
D502,667 S * 3/2005 Bonilla B65D 25/2823
D11/144
D601,009 S * 9/2009 Shinn A47G 7/025
D9/415
8,079,177 B1 * 12/2011 Regner A47G 7/00
47/41.01
D837,681 S * 1/2019 Hendifar A47K 1/09
D11/147
2003/0159343 A1 * 8/2003 Effa A47G 7/025
47/39

OTHER PUBLICATIONS

Hanging Bud Vase. Online [website]. Etsy, publication date unknown [retrieved on Dec. 29, 2022]. Retrieved from the internet: <<https://www.etsy.com/listing/1195017992/hanging-bud-vase-propagation-station>>. (Year: 2022).*

* cited by examiner

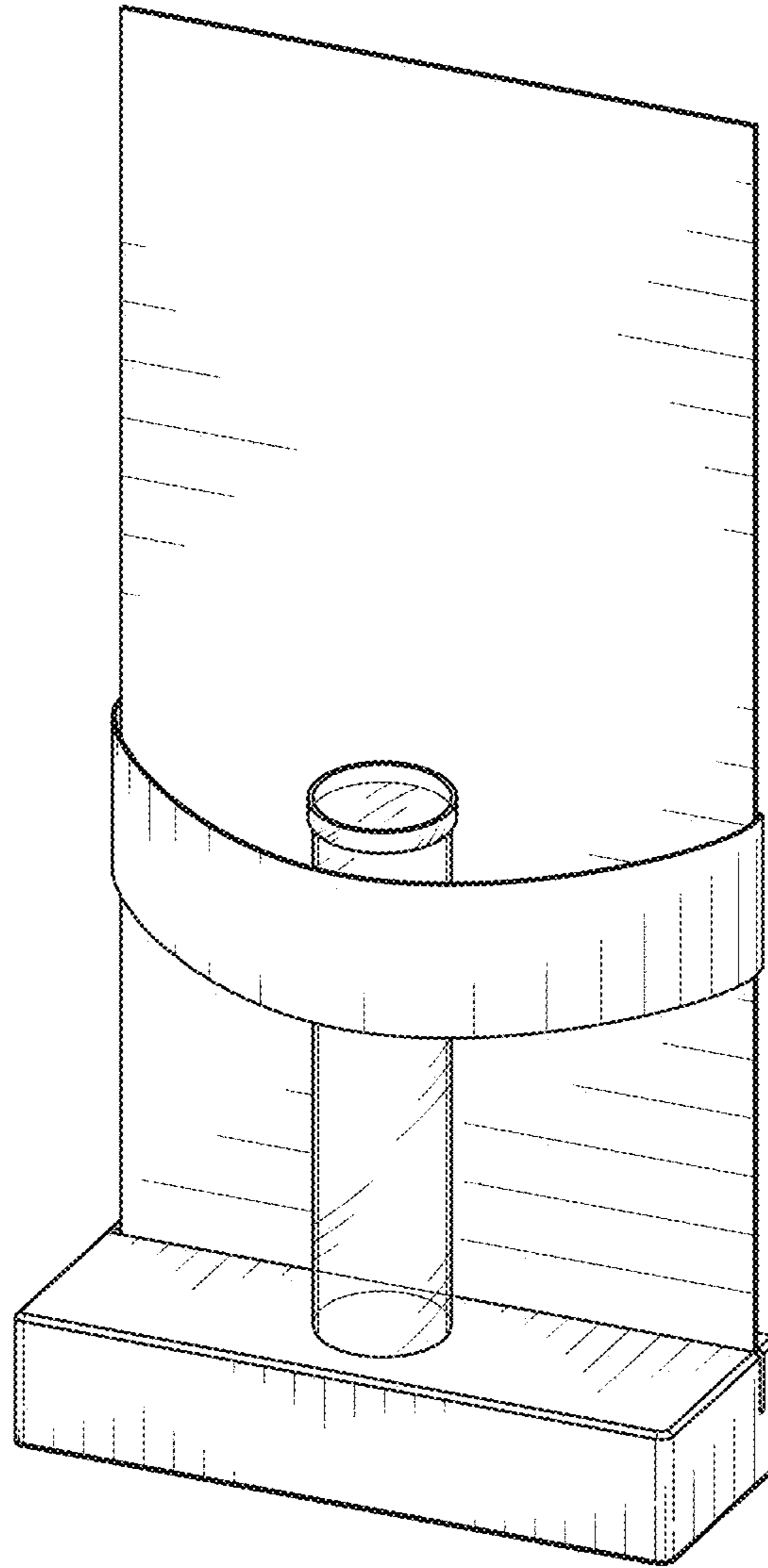


FIG. 1

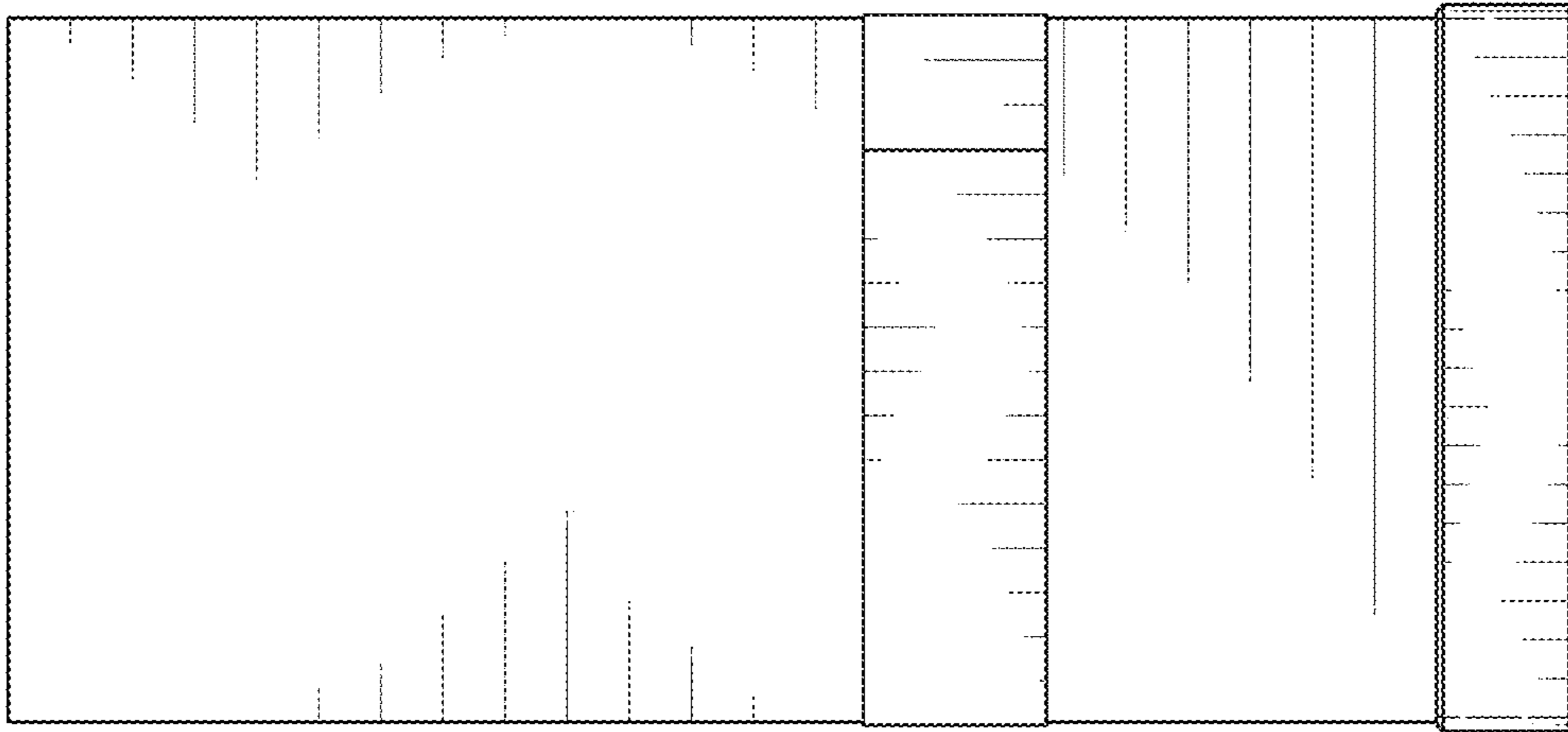


FIG. 3

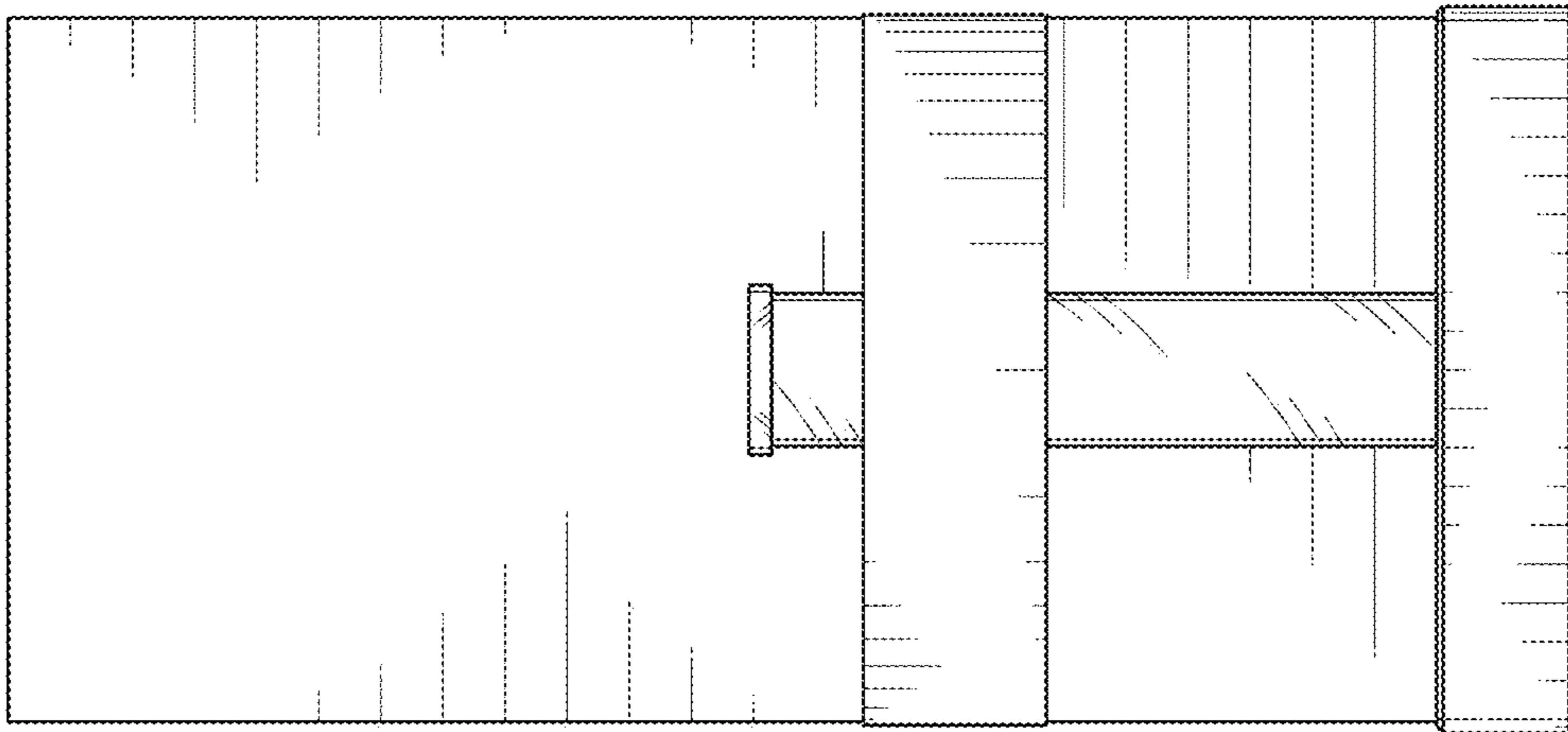


FIG. 2

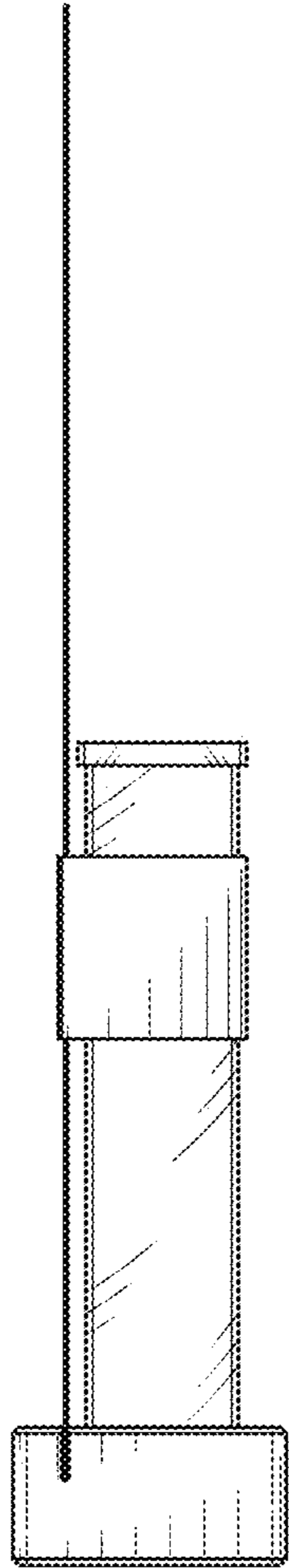


FIG. 4

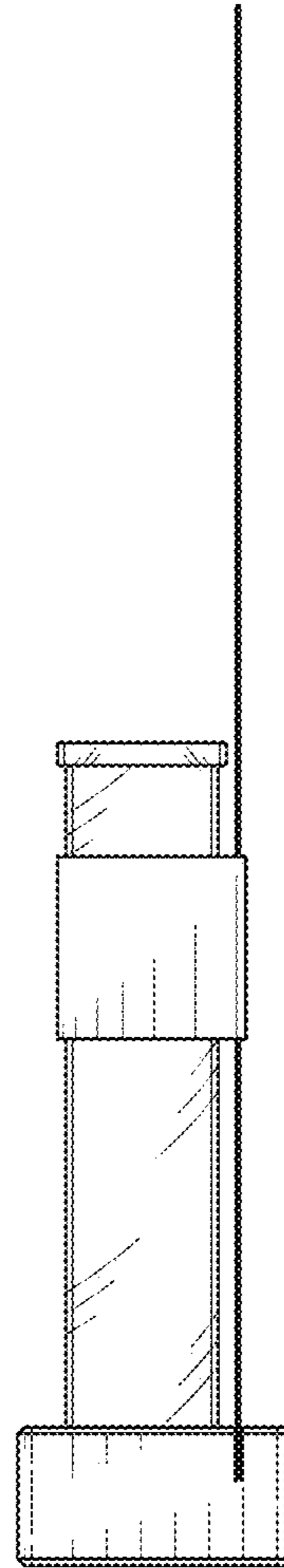


FIG. 5

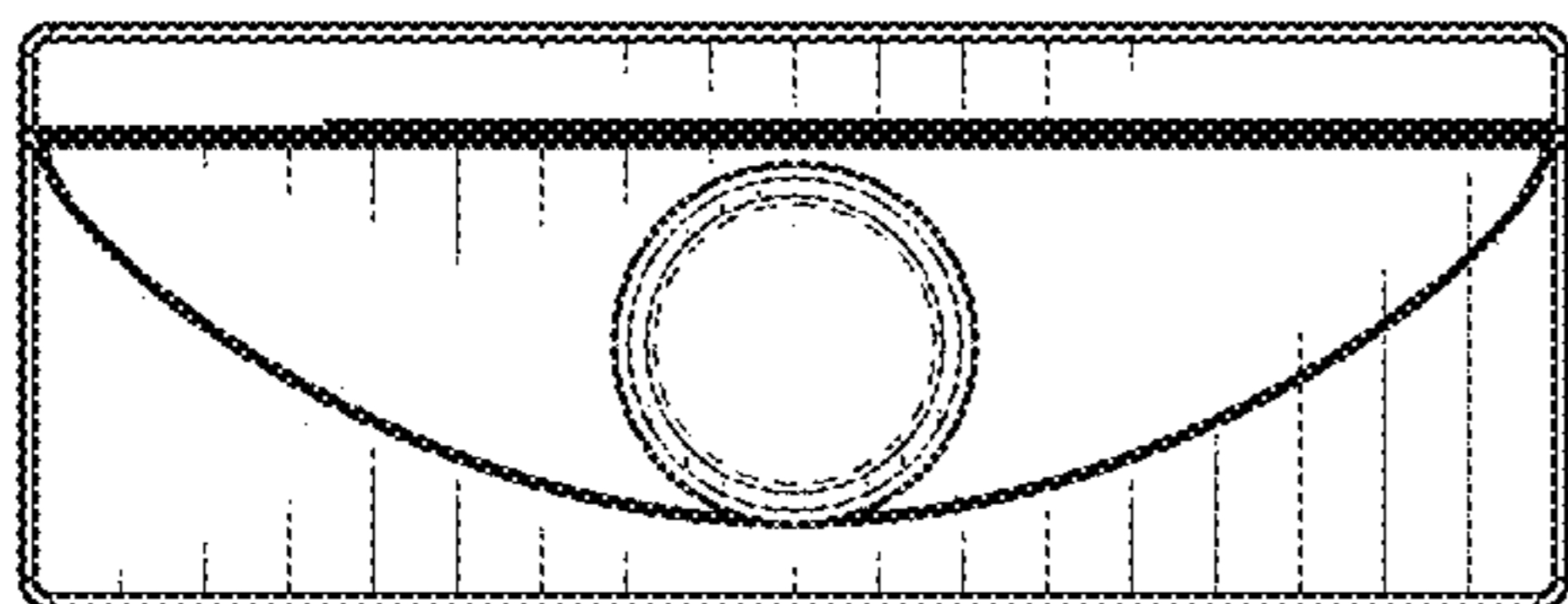


FIG. 6

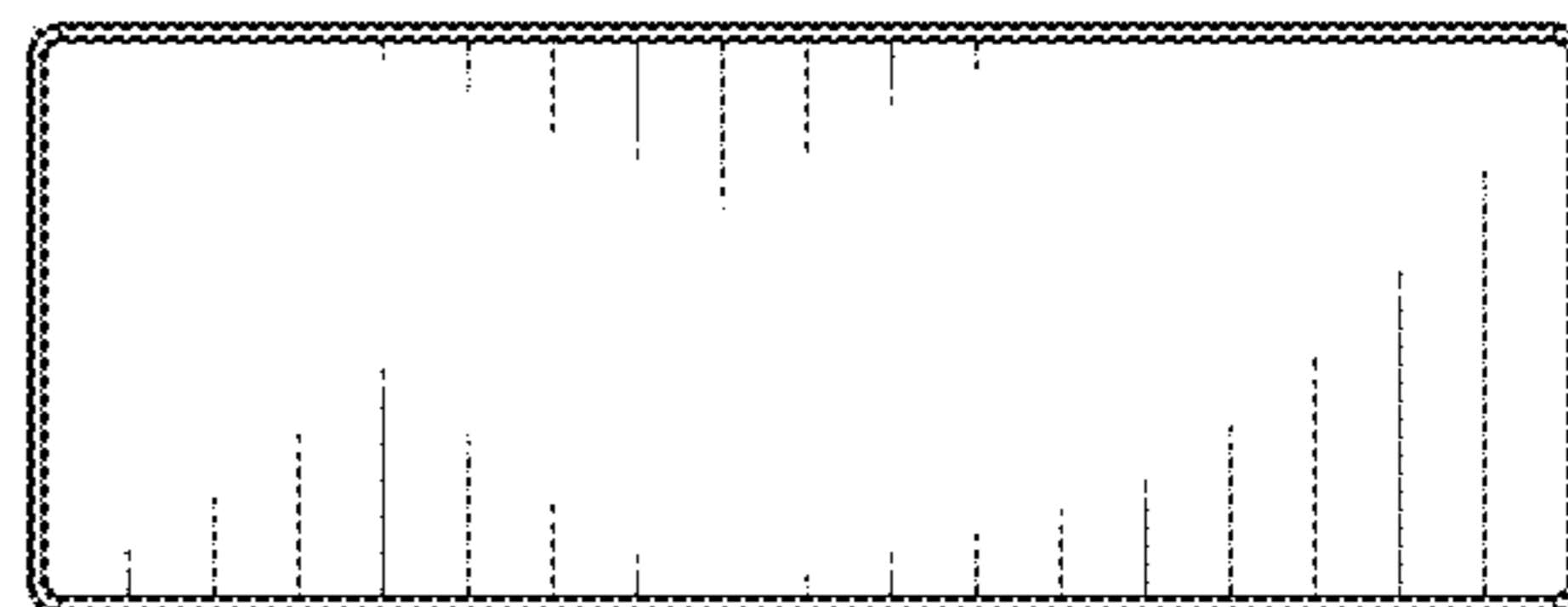


FIG. 7

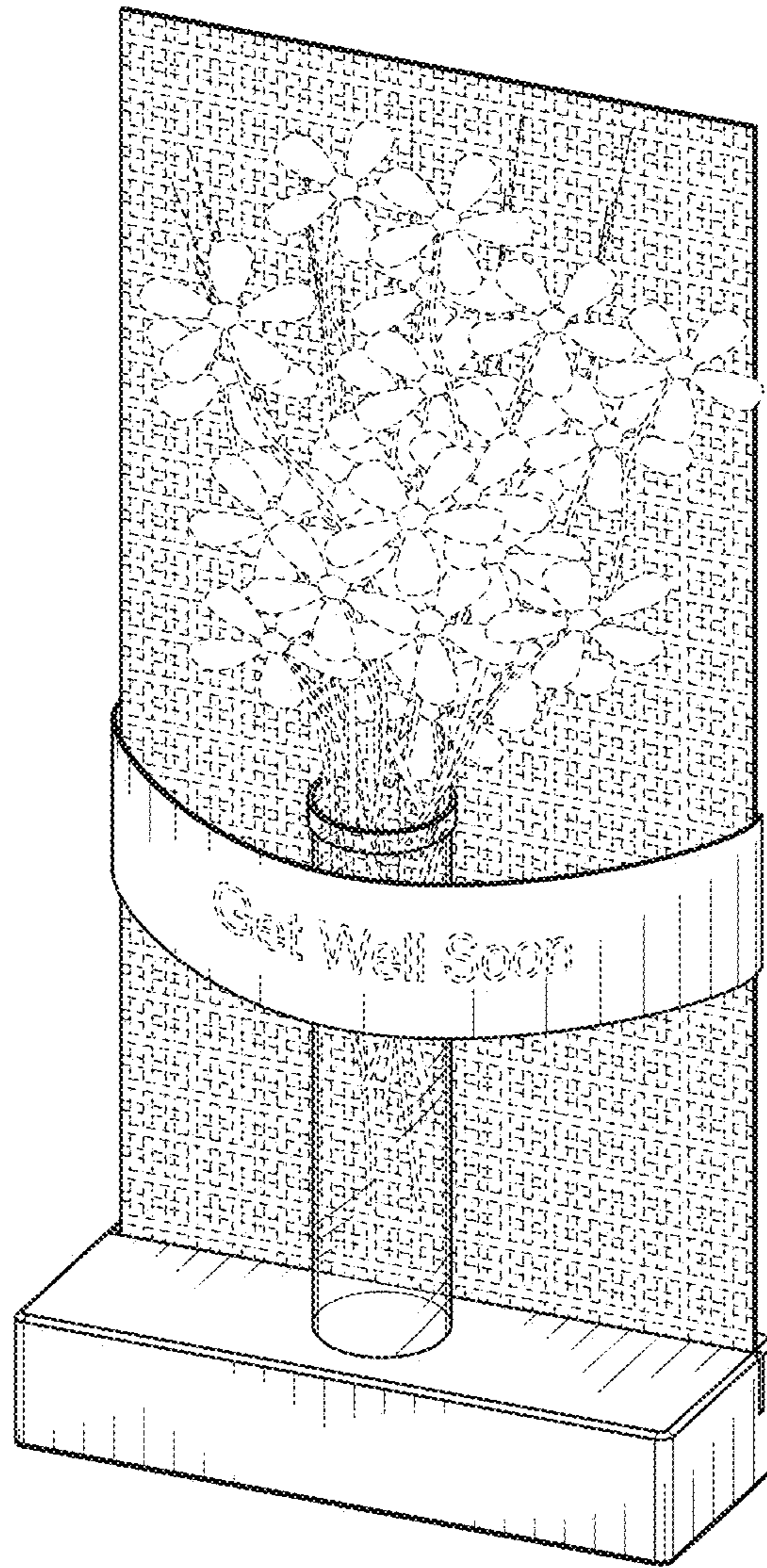


FIG. 8