



US00D985417S

(12) **United States Design Patent**
Millimaci

(10) **Patent No.:** **US D985,417 S**

(45) **Date of Patent:** **** May 9, 2023**

(54) **TREE TOPPER**

(71) Applicant: **VDI, Inc.**, Syracuse, NY (US)

(72) Inventor: **Anthony N. Millimaci**, Fayetteville, NY (US)

(73) Assignee: **VDI, Inc.**, Syracuse, NY (US)

(**) Term: **15 Years**

(21) Appl. No.: **29/801,148**

(22) Filed: **Jul. 27, 2021**

(51) **LOC (14) Cl.** **11-05**

(52) **U.S. Cl.**
USPC **D11/124**

(58) **Field of Classification Search**
USPC D11/117-118, 120-121, 124-127, 130,
D11/130.1, 131-133, 157, 164; D21/400;
D26/1, 2, 131
CPC F21S 4/10; F21S 10/007
See application file for complete search history.

(56) **References Cited**

U.S. PATENT DOCUMENTS

D94,072 S * 12/1934 Cantor A45F 5/08
D11/154
D99,892 S * 6/1936 Pollock A47G 33/0809
D26/96
2,741,693 A * 4/1956 Fasson A47G 33/0809
40/406

(Continued)

FOREIGN PATENT DOCUMENTS

CN 201930628004.8 * 3/2020

OTHER PUBLICATIONS

Sturdy Star Christmas Tree Topper Holder, published on (Nov. 15, 2021) on amazon.com, retrieved from internet (Dec. 8, 2022).

<URL: https://www.amazon.com/STURDYSTAR-Christmas-Stabilizer-Ornaments-Universal/dp/B09JT2VL6J/ref=asc_df_B09JT2VL6J (Year: 2021).*

(Continued)

Primary Examiner — Joseph Kukella

Assistant Examiner — Heather Ann Laaveg Wencil

(74) *Attorney, Agent, or Firm* — Wood Herron & Evans LLP

(57) **CLAIM**

The ornamental design for a tree topper, as shown and described.

DESCRIPTION

FIG. 1 is a front top perspective view of a tree topper according to an embodiment of the invention.

FIG. 2 is a front bottom perspective view of the tree topper of FIG. 1.

FIG. 3 is a front view, the rear view being an identical (or mirror) view thereof.

FIG. 4 is a left side view, the right side being an identical (or mirror) image thereof.

FIG. 5 is a top view thereof.

FIG. 6 is a bottom view thereof.

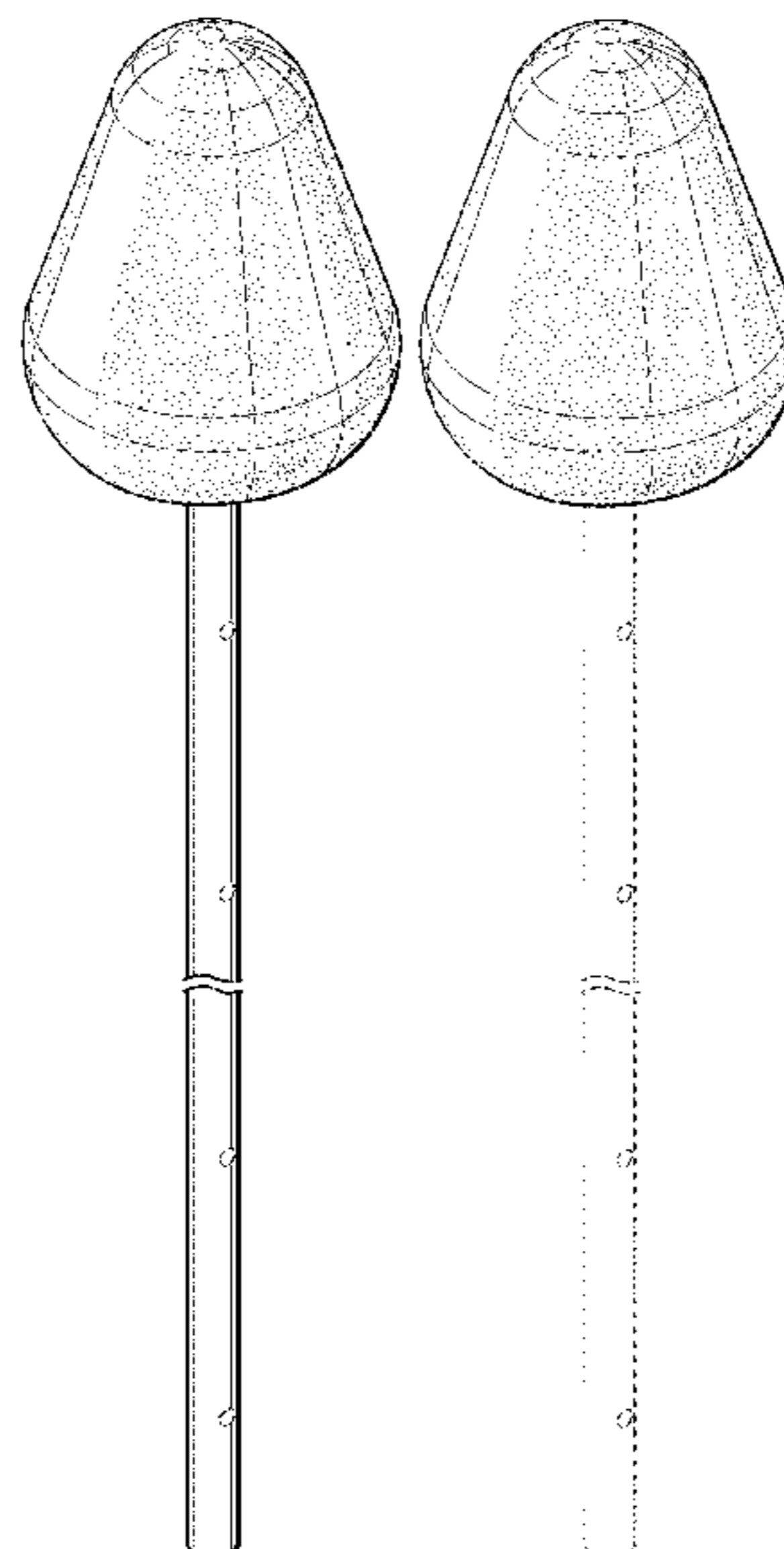
FIG. 7 is another front view of the tree topper in FIGS. 1-6, but mounted on a tree. Any elements shown in broken lines do not form any part of the claimed design, but are instead included to show environmental aspects thereof.

FIG. 8 is a front top perspective view of a tree topper according to an alternative embodiment of the present invention; and,

FIG. 9 is a front bottom perspective view of the tree topper of FIG. 8.

The broken lines adjacent to the shaded forms are an unclaimed boundary of the design. The broken lines in FIG. 7 depict environmental subject matter that forms no part of the claimed design. The broken lines in FIGS. 1-6 and FIGS. 8-9 depict boundaries that form no part of the claimed design.

1 Claim, 5 Drawing Sheets



(56)

References Cited

U.S. PATENT DOCUMENTS

4,139,080 A * 2/1979 Wells E06C 1/34
182/115
6,053,628 A * 4/2000 Rakisits G02B 6/0008
362/580
D433,167 S * 10/2000 Yim D26/2
D438,332 S * 2/2001 Pratt D26/131
D521,659 S * 5/2006 Chen A01G 9/122
D26/2
D659,282 S * 5/2012 Richmond D26/138
10,440,901 B2 * 10/2019 Eaton A01G 9/122
D938,689 S * 12/2021 Granger Duits D99/5
2017/0099935 A1 * 4/2017 Valentine A45F 5/08

OTHER PUBLICATIONS

Northlight Christmas Tree Topper, published on (Oct. 6, 2021) on amazon.com, retrieved from internet (Dec. 8, 2022). <URL: https://www.amazon.com/Northlight-Universal-Christmas-Topper-Holder/dp/B09HWB7XY6/ref=sr_1_7> (Year: 2021).*

* cited by examiner

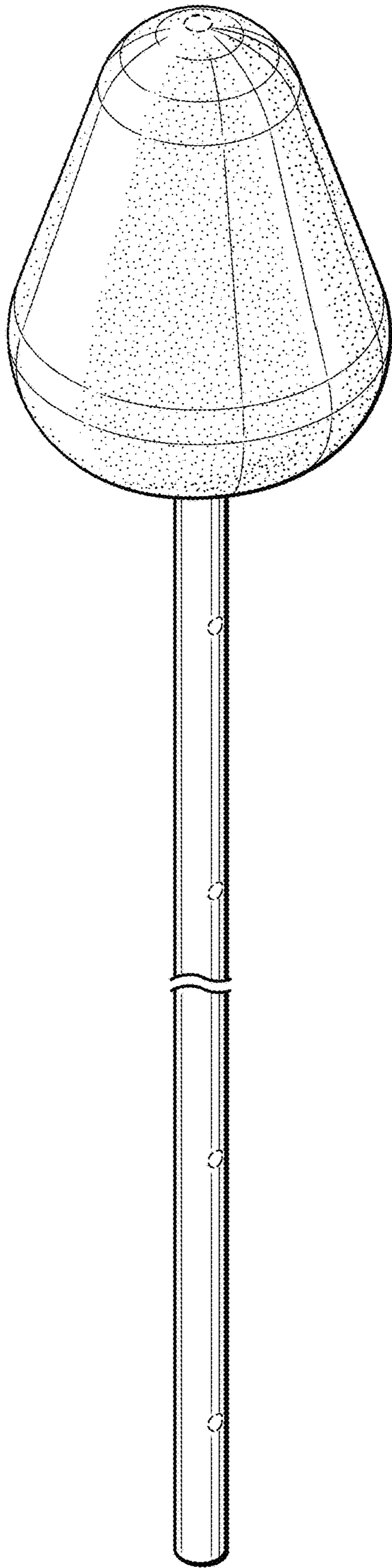


FIG. 1

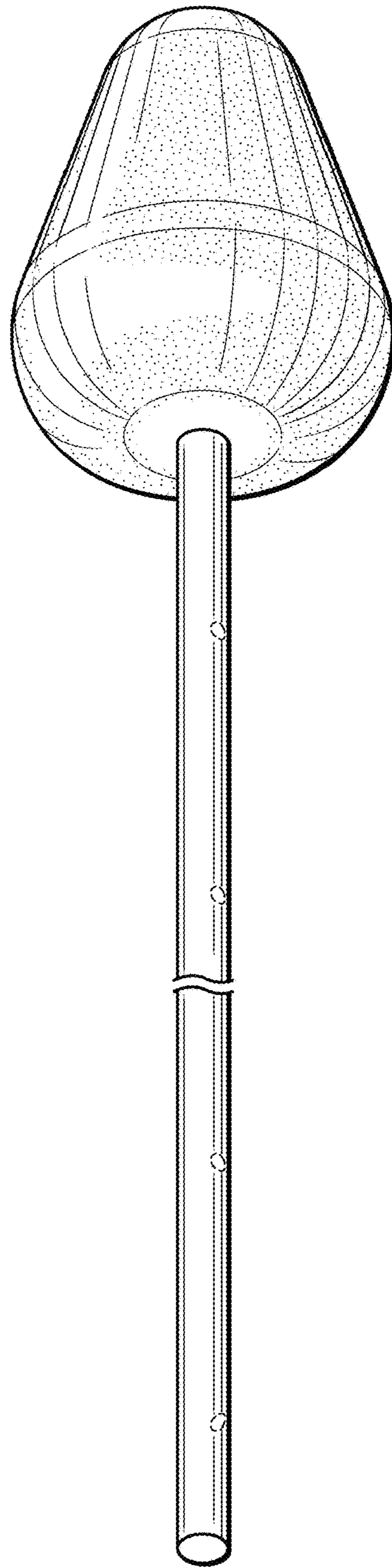


FIG. 2

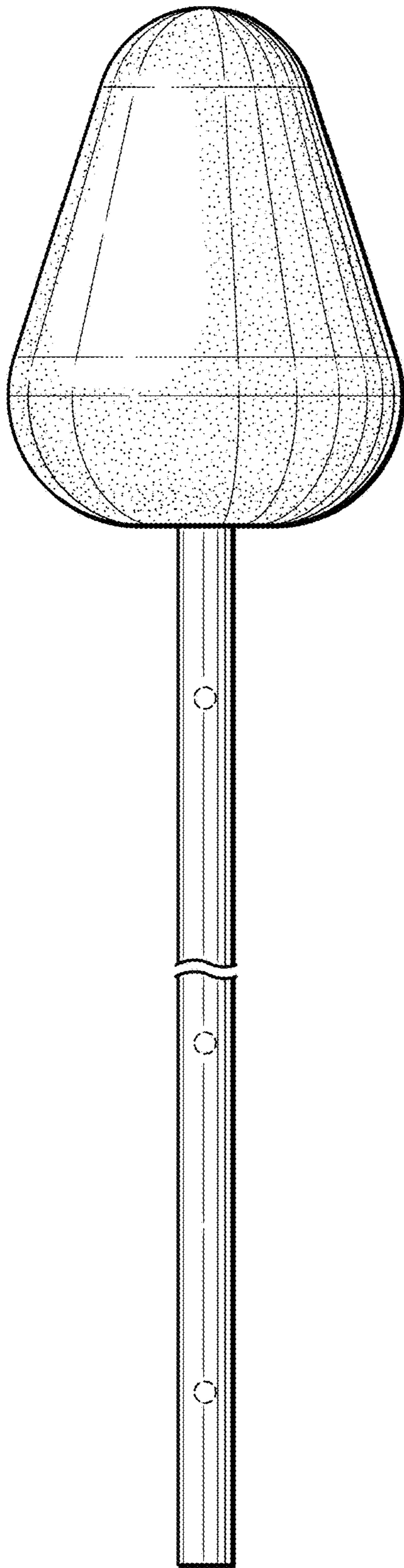


FIG. 3

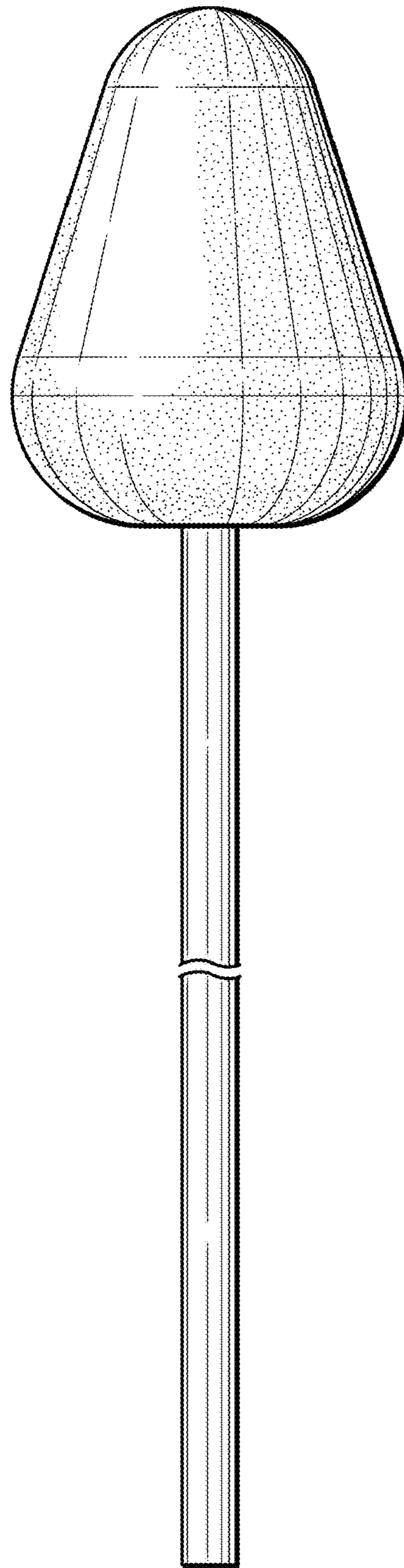


FIG. 4

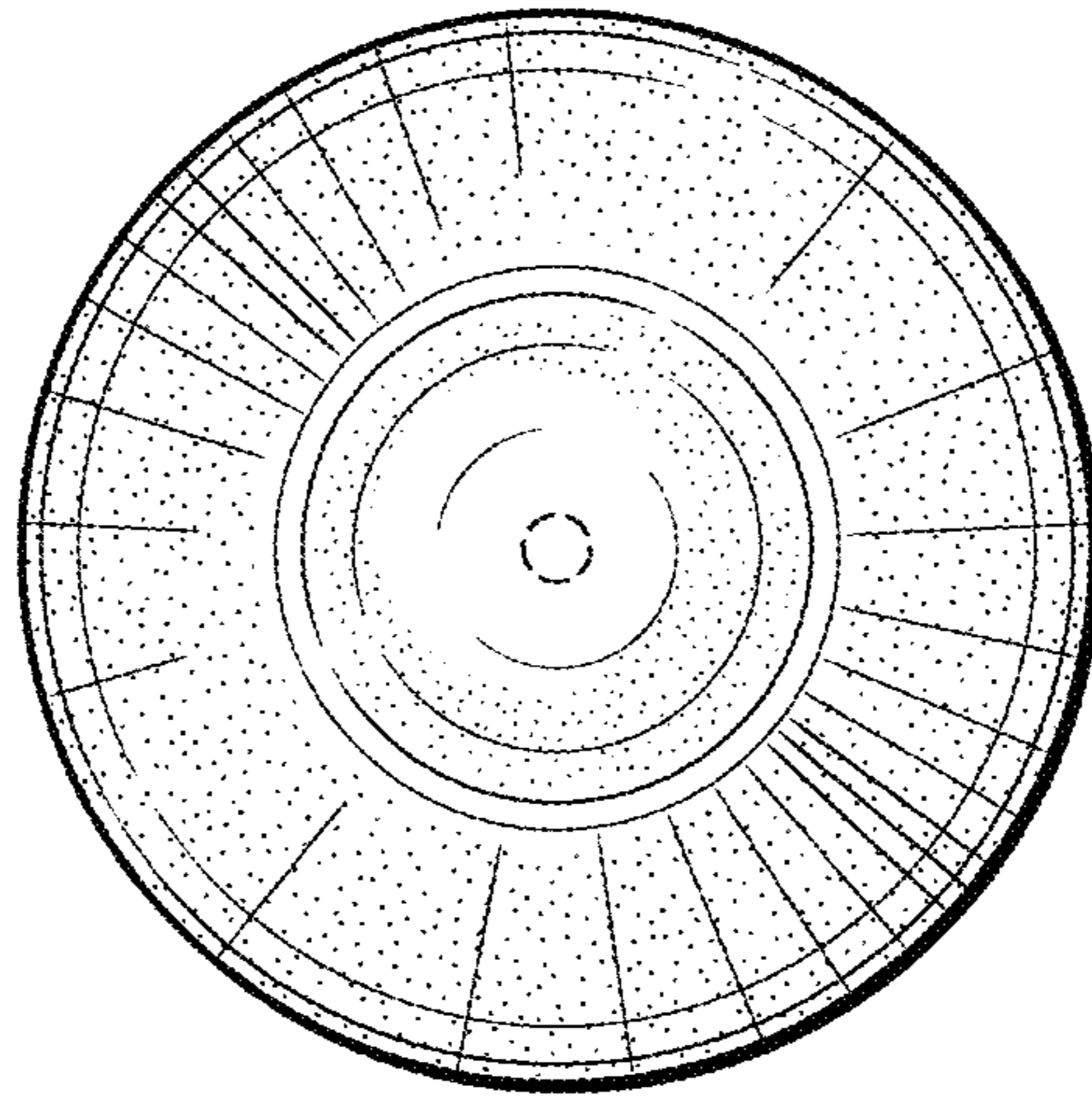


FIG. 5

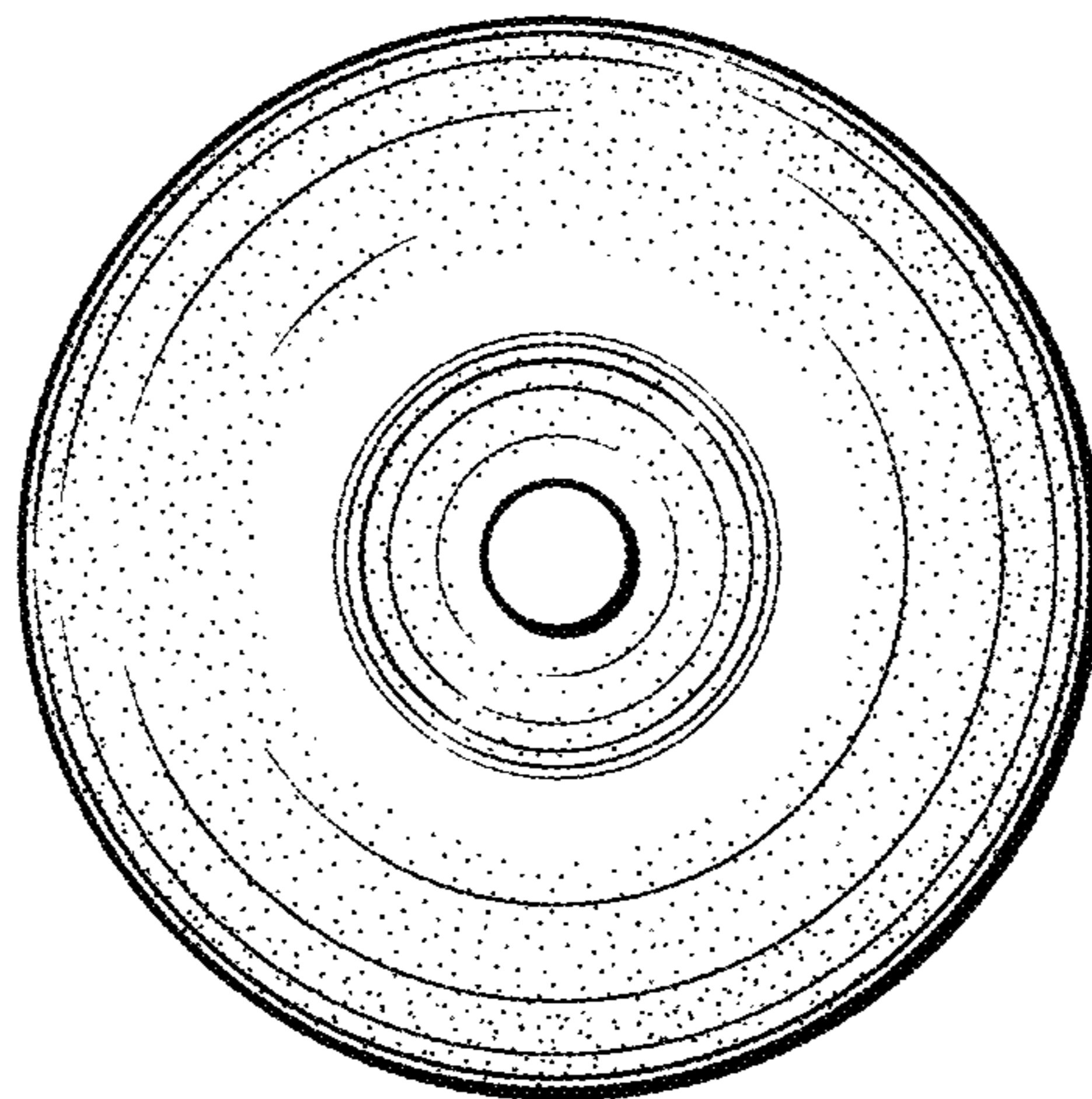


FIG. 6

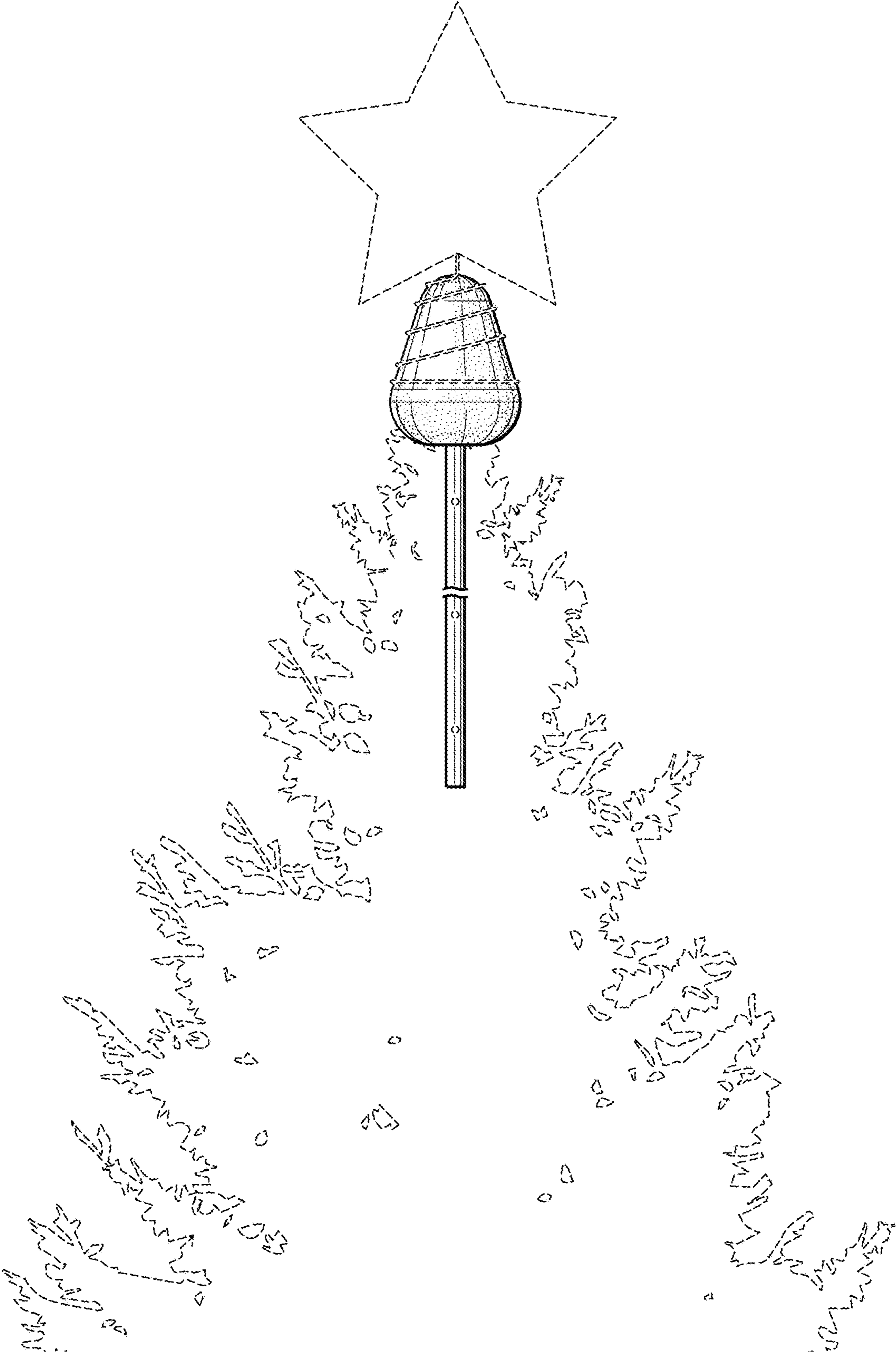


FIG. 7

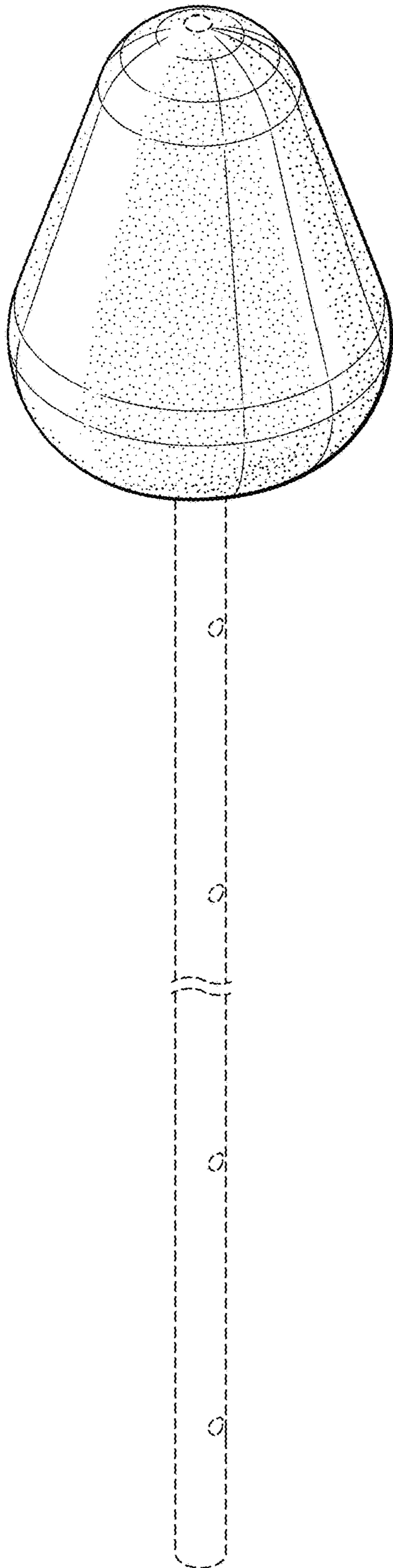


FIG. 8

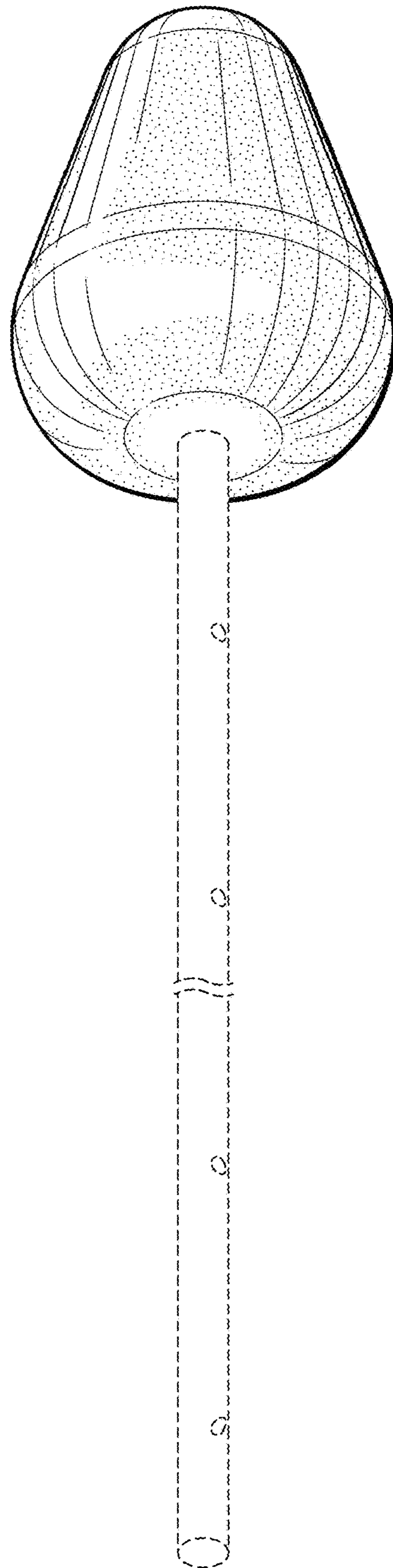


FIG. 9