



US00D985412S

(12) **United States Design Patent** (10) **Patent No.:** **US D985,412 S**
Fang (45) **Date of Patent:** **** May 9, 2023**

(54) **WATCH BAND**

- (71) Applicant: **Yanfei Fang**, Huizhou (CN)
- (72) Inventor: **Yanfei Fang**, Huizhou (CN)
- (73) Assignee: **Yanfei Fang**, Huizhou (CN)
- (**) Term: **15 Years**

(21) Appl. No.: **29/861,694**

(22) Filed: **Dec. 1, 2022**

(51) **LOC (14) Cl.** **11-01**

(52) **U.S. Cl.**
USPC **D11/3**

(58) **Field of Classification Search**
USPC D11/1-6; D10/32
CPC A44C 5/00
See application file for complete search history.

(56) **References Cited**

U.S. PATENT DOCUMENTS

D148,671 S	*	2/1948	Babin	D11/5
D155,768 S	*	11/1949	Austin	D11/15
D279,555 S	*	7/1985	Matsuo	D11/4
D297,417 S	*	8/1988	Asano	D10/39
D323,472 S	*	1/1992	Bende	D11/95
D467,827 S	*	12/2002	Bach	D11/21
D703,555 S	*	4/2014	Monachon	D10/32
D731,346 S	*	6/2015	Akana	D11/3
D757,590 S	*	5/2016	Akana	D11/3
D757,594 S	*	5/2016	Akana	D11/5
D760,107 S	*	6/2016	Akana	D11/5
D813,705 S	*	3/2018	Ferguson	D11/19
D839,120 S	*	1/2019	Hou	D11/3
D853,881 S	*	7/2019	Akana	D11/3
D932,332 S	*	10/2021	Akana	D11/3
D954,586 S	*	6/2022	Huang	D10/32
D966,921 S		10/2022	Rao		
D970,380 S	*	11/2022	Wu	D11/3
D970,382 S	*	11/2022	Wu	D11/3
D973,533 S	*	12/2022	Luo	D14/344
D978,008 S	*	2/2023	Sun	D11/3

FOREIGN PATENT DOCUMENTS

GB 6216332 * 6/2022
GB 6245067 * 12/2022

OTHER PUBLICATIONS

Nice Vintage WWII 1940-50s Gents Stainless Steel Bonklip Bracelet Watch Band | eBay pp. 1-4 2023 https://www.ebay.com/itm/224950054226?chn=ps&mkevt=1&mkcid=28&srsltid=Ad5pg_H5M7yoy-i7kWQcom-nOO4J71WH4TDdumt9AbC3GQLunVSs9sNBXcs (Year: 2023).
The Forstner Klip—Stainless Steel Ladder-Style Watch Bracelet | eBay pp. 1-5 2023 <https://www.ebay.com/itm/295446382800?> (Year: 2023).*

* cited by examiner

Primary Examiner — Kevin K Rudzinski
Assistant Examiner — Evans David Delesline
(74) *Attorney, Agent, or Firm* — Nitin Kaushik

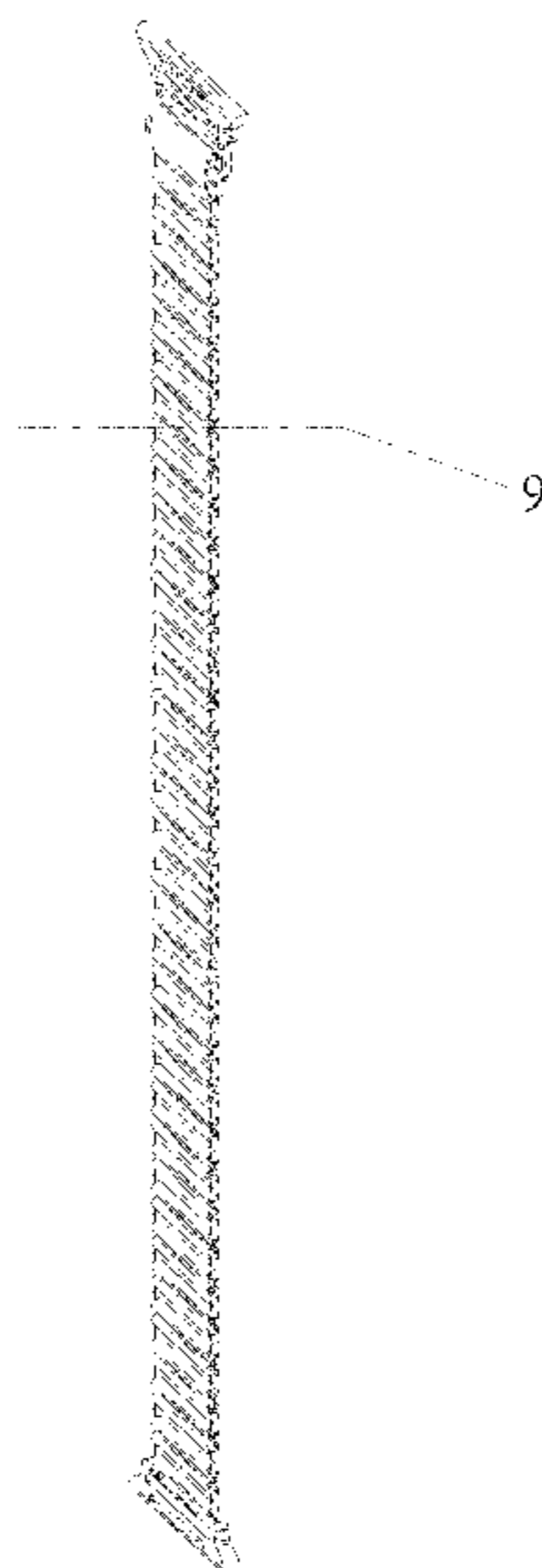
(57) **CLAIM**

The ornamental design for a watch band, as shown and described.

DESCRIPTION

FIG. 1 is a front perspective view of a watch band, showing my new design;
FIG. 2 is a rear perspective view thereof;
FIG. 3 is a front view thereof;
FIG. 4 is a rear view thereof;
FIG. 5 is a left side view thereof;
FIG. 6 is a right side view thereof;
FIG. 7 is an enlarged plan view of its top;
FIG. 8 is an enlarged plan view of its bottom;
FIG. 9 is a partial enlarged view of FIG. 1; and,
FIG. 10 is a partial enlarged view of FIG. 2.

1 Claim, 10 Drawing Sheets



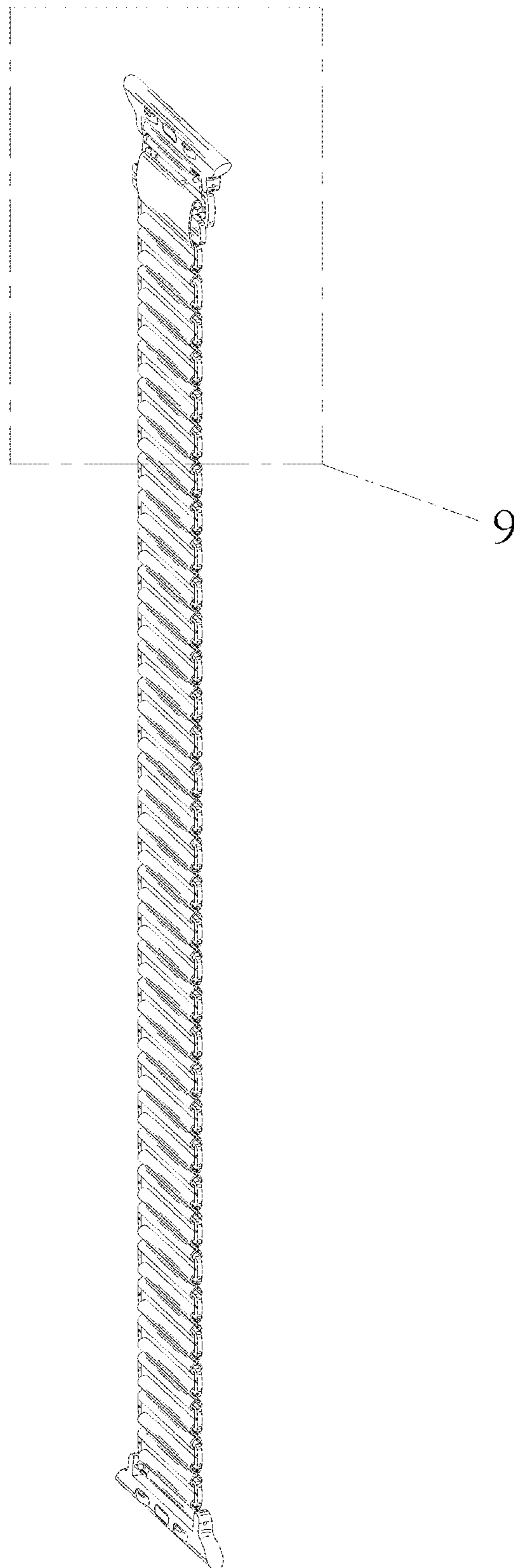


FIG. 1

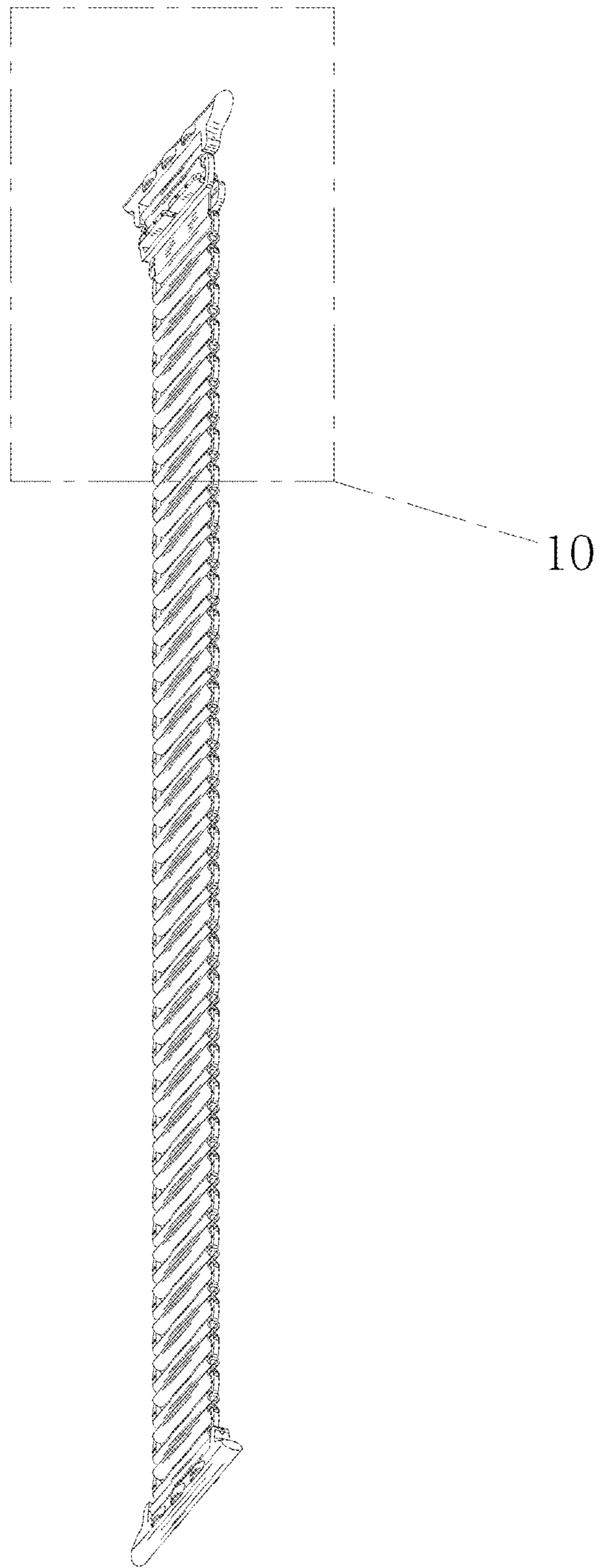


FIG.2

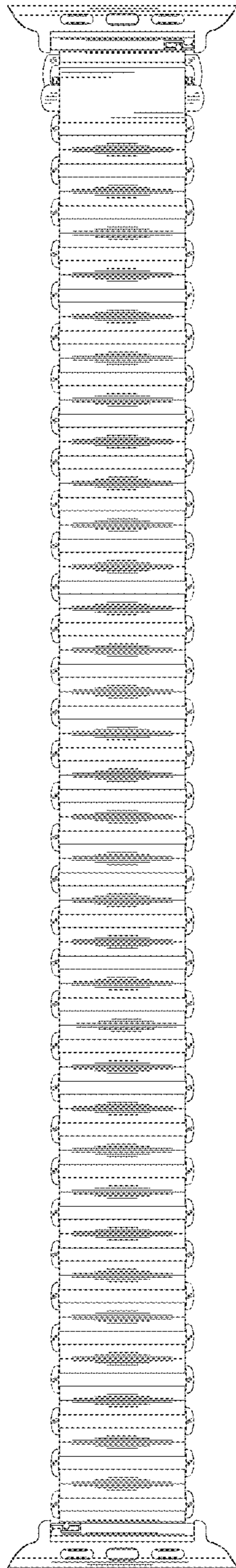


FIG.3

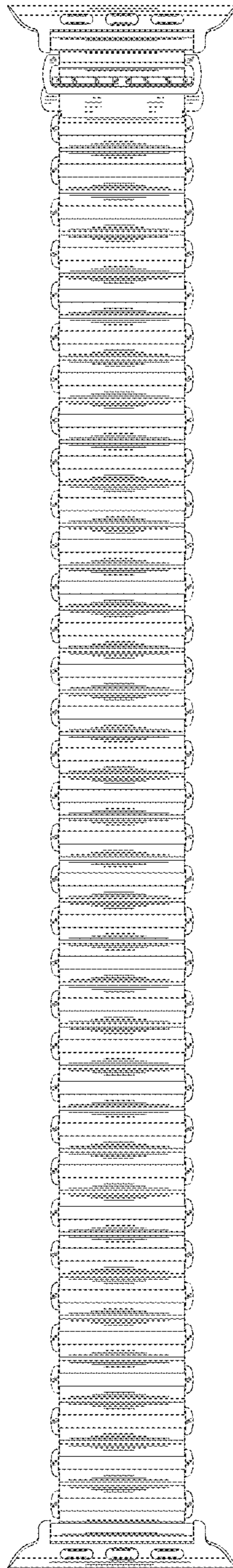


FIG.4



FIG.5

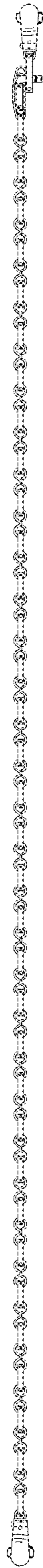


FIG.6



FIG.7

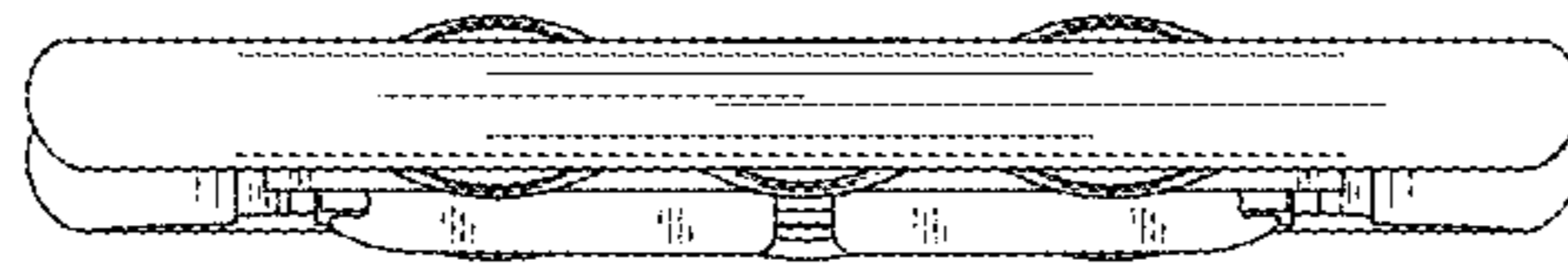


FIG.8

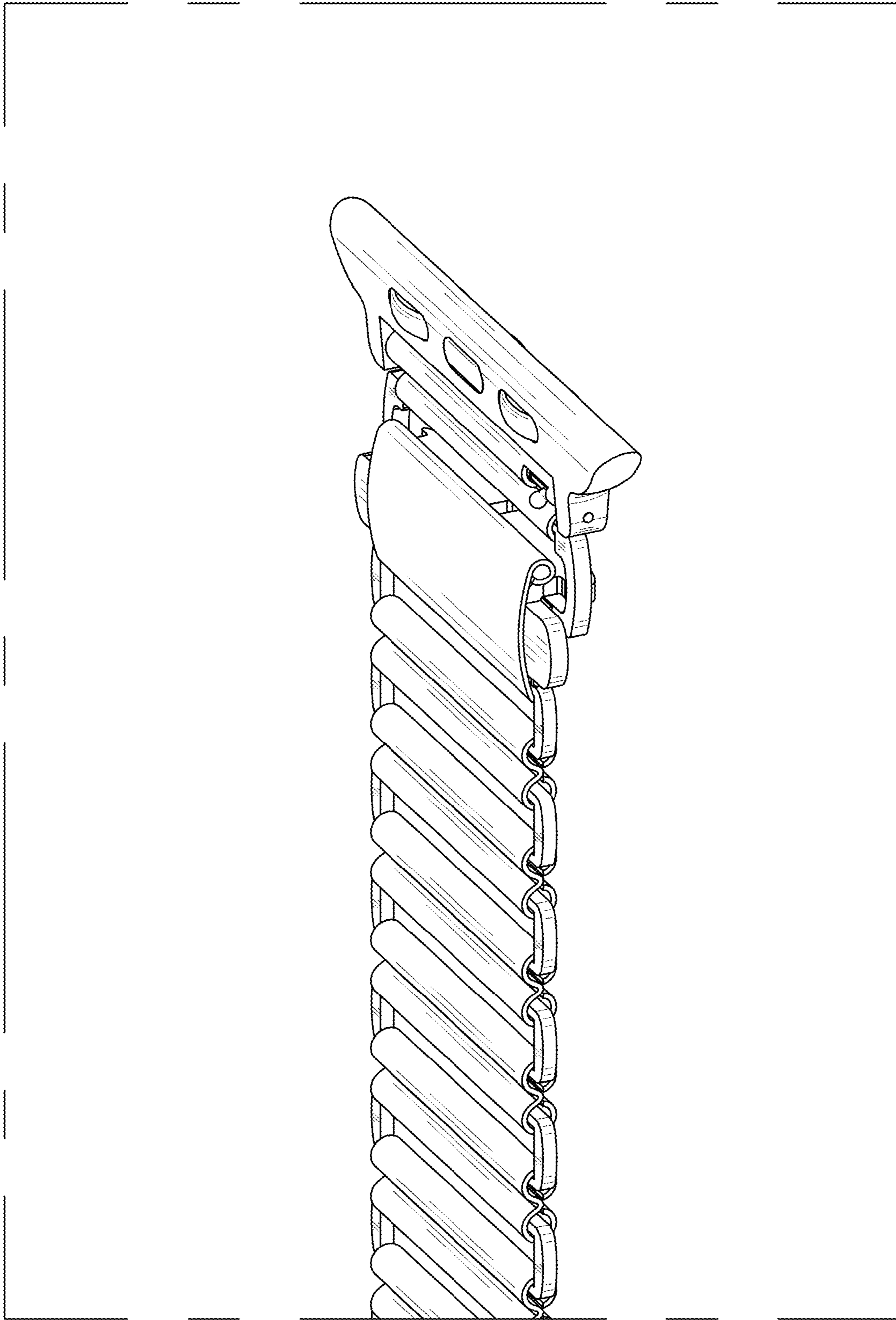


FIG.9

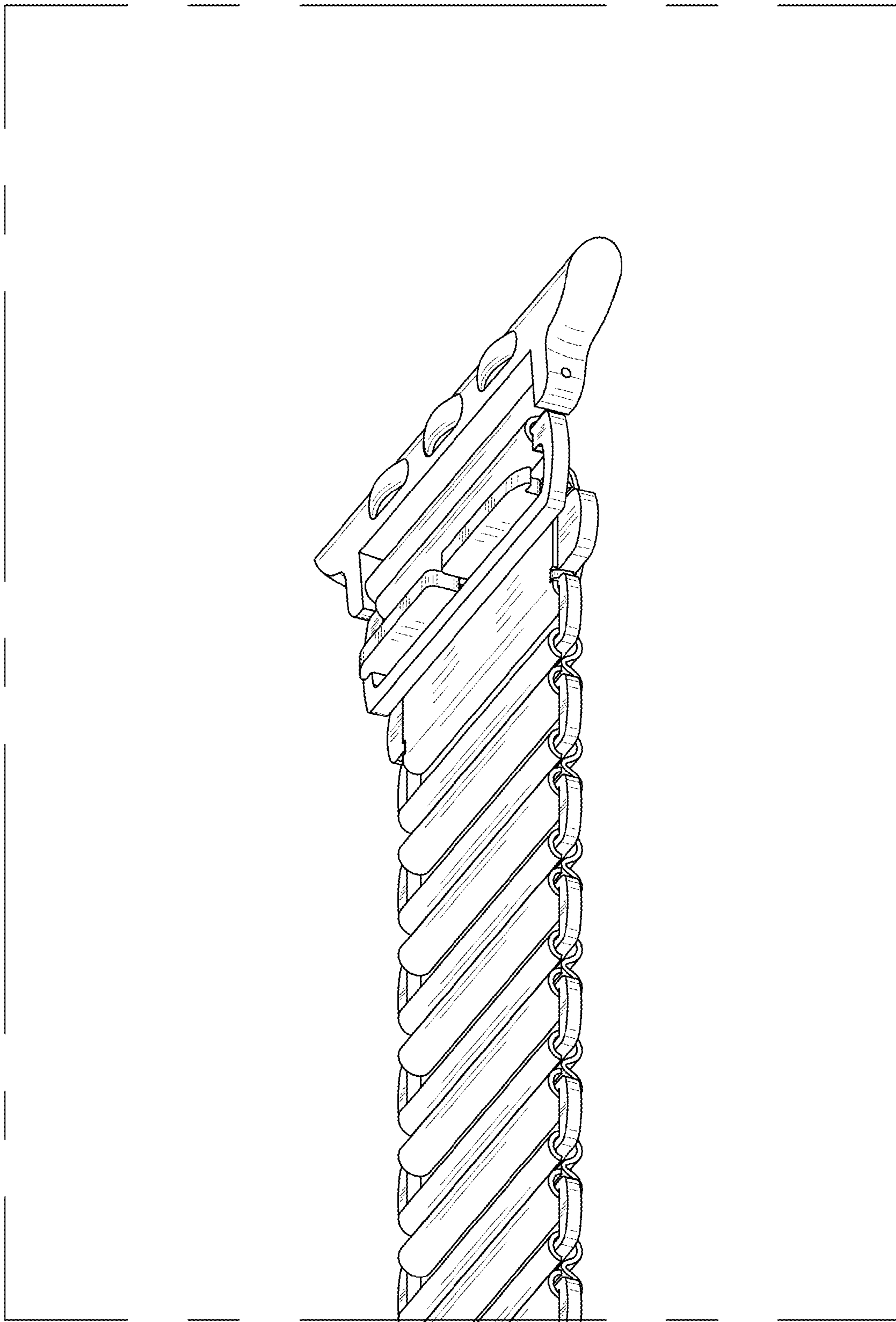


FIG.10