



US00D985406S

(12) **United States Design Patent**
Dai

(10) **Patent No.:** **US D985,406 S**

(45) **Date of Patent:** **** May 9, 2023**

- (54) **SCALE**
- (71) Applicant: **Zhongjin Dai**, Dezhou (CN)
- (72) Inventor: **Zhongjin Dai**, Dezhou (CN)
- (**) Term: **15 Years**
- (21) Appl. No.: **29/845,215**
- (22) Filed: **Jul. 6, 2022**
- (51) **LOC (14) Cl.** **10-04**
- (52) **U.S. Cl.**
USPC **D10/91**
- (58) **Field of Classification Search**
USPC D10/91, 92
CPC G01G 19/40; G01G 19/41; G01G 19/413;
G01G 19/414; G01G 19/4144; G01G
19/42; G01G 23/3728; G01G 23/3735;
G01G 20/208; G01G 21/28; G01G
21/283; G01G 21/286; G01G 21/30;
G06Q 20/208
See application file for complete search history.

(56) **References Cited**

U.S. PATENT DOCUMENTS

D505,873 S *	6/2005	Kesselman	D10/91
D531,074 S *	10/2006	Malhi	D10/91
D682,129 S *	5/2013	Kesselman	D10/91
D837,672 S *	1/2019	Hong	D10/91
D842,731 S *	3/2019	Hong	D10/91
D869,314 S *	12/2019	Ma	D10/91
D872,604 S *	1/2020	Chen	D10/91

D894,968 S *	9/2020	McCaffrey	D15/28
D897,875 S *	10/2020	Ma	D10/91
D925,382 S *	7/2021	Jiang	D10/91
D926,611 S *	8/2021	Hong	D10/91
D935,925 S *	11/2021	Qiu	D10/91
D951,790 S *	5/2022	Xu	D10/91
D953,902 S *	6/2022	Hong	D10/91
D960,736 S *	8/2022	Hong	D10/91
D962,099 S *	8/2022	Yu	D10/91

* cited by examiner

Primary Examiner — Antoine Duval Davis

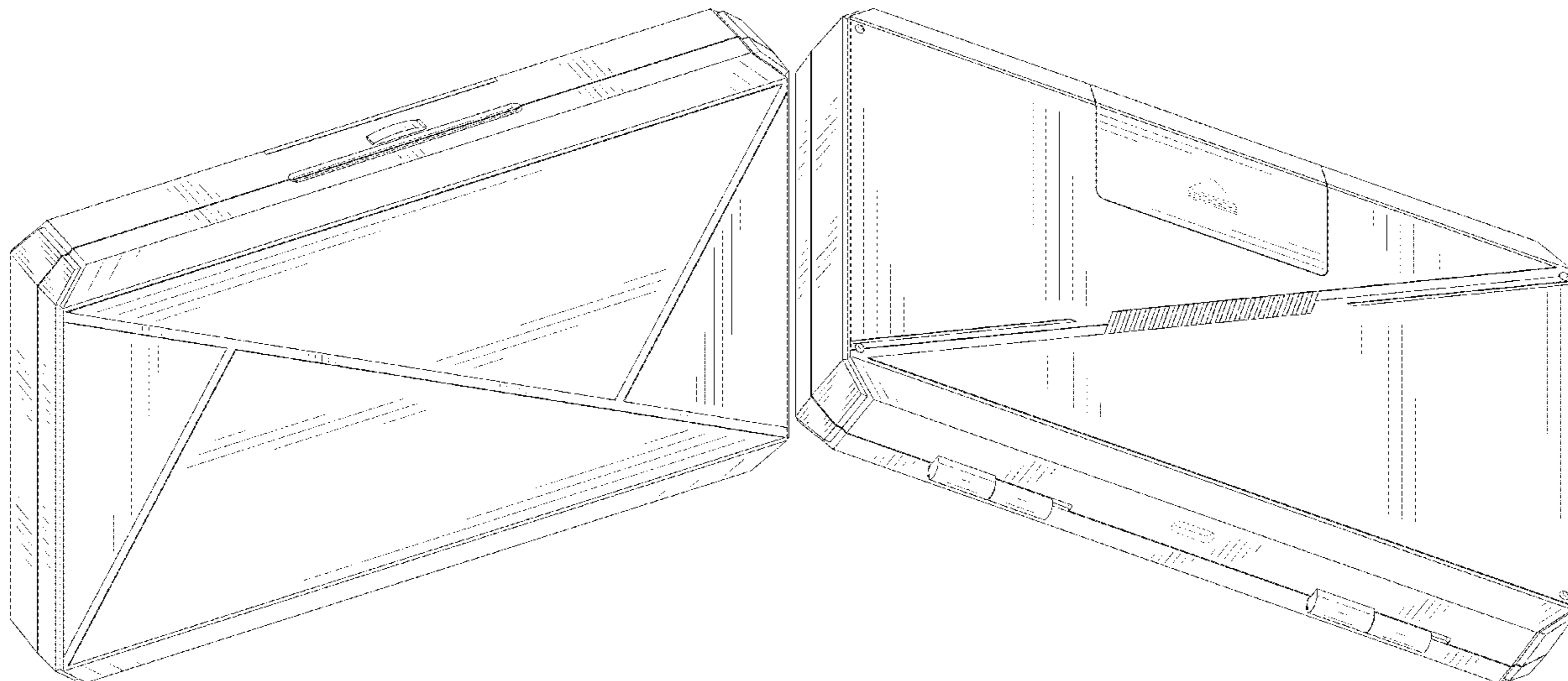
(57) **CLAIM**

The ornamental design for a scale, as shown and described.

DESCRIPTION

FIG. 1 is a perspective view of a scale showing my new design;
 FIG. 2 is another perspective view thereof;
 FIG. 3 is another perspective view thereof;
 FIG. 4 is a front elevational view thereof;
 FIG. 5 is a rear elevational view thereof;
 FIG. 6 is a left side elevational view thereof;
 FIG. 7 is a right side elevational view thereof;
 FIG. 8 is a top plan view thereof;
 FIG. 9 is a bottom plan view thereof;
 FIG. 10 is a perspective view of the scale where the scale is in a first configuration of use; and,
 FIG. 11 is a front elevational view of the scale where the scale is in a second configuration of use.
 The broken lines in the drawings depict portions of the scale that form no part of the claimed design.

1 Claim, 11 Drawing Sheets



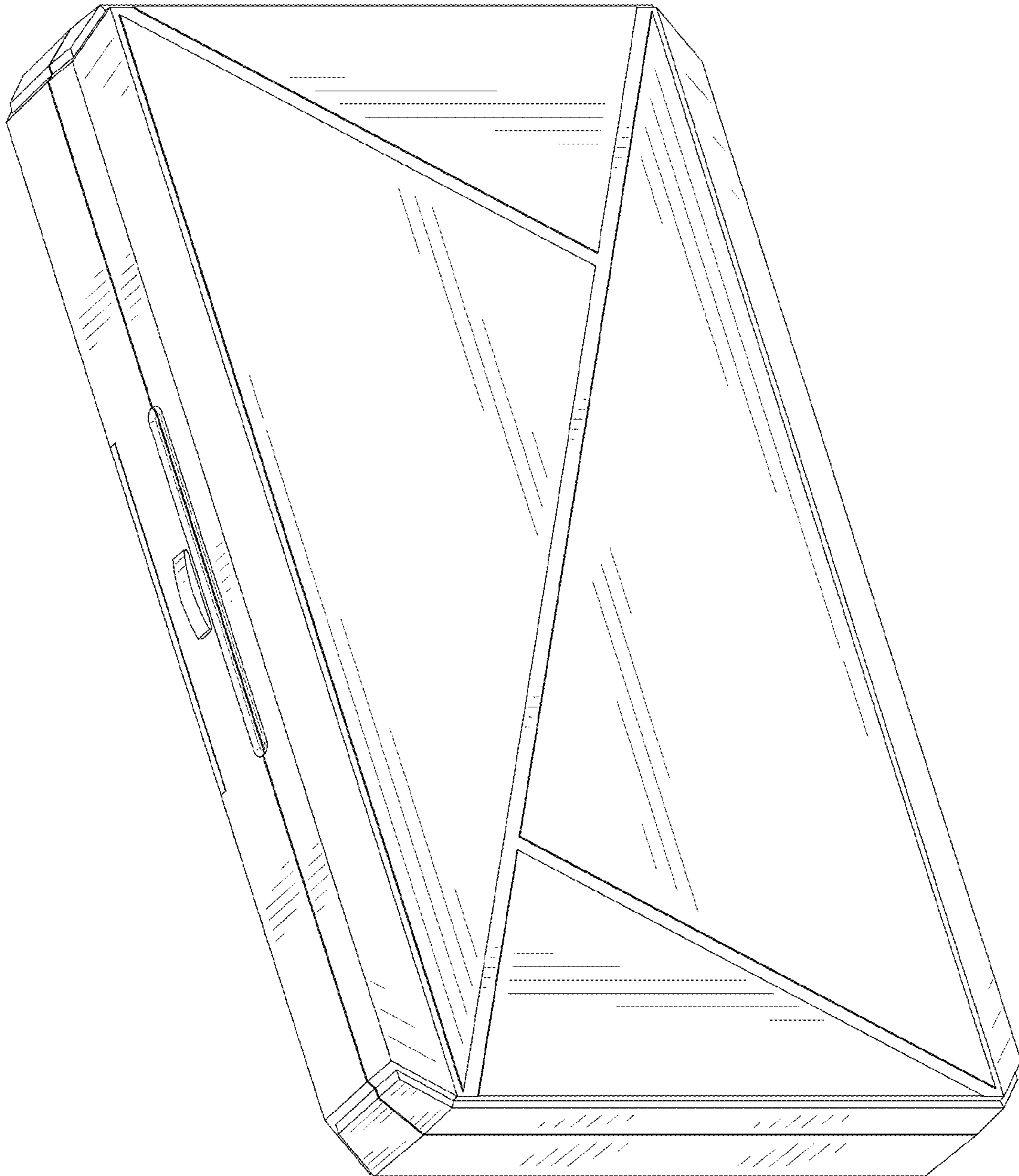


FIG. 1

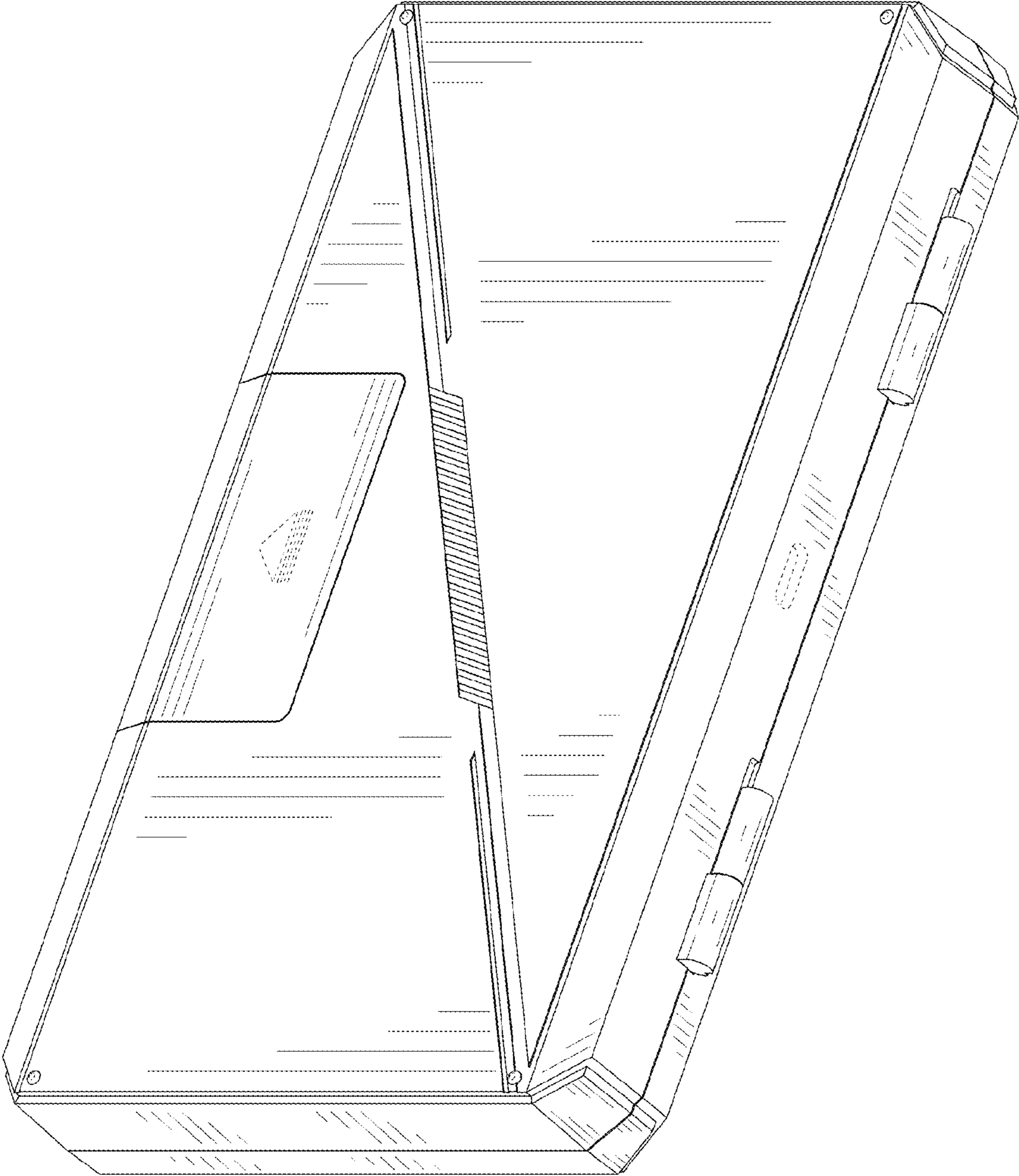


FIG. 2

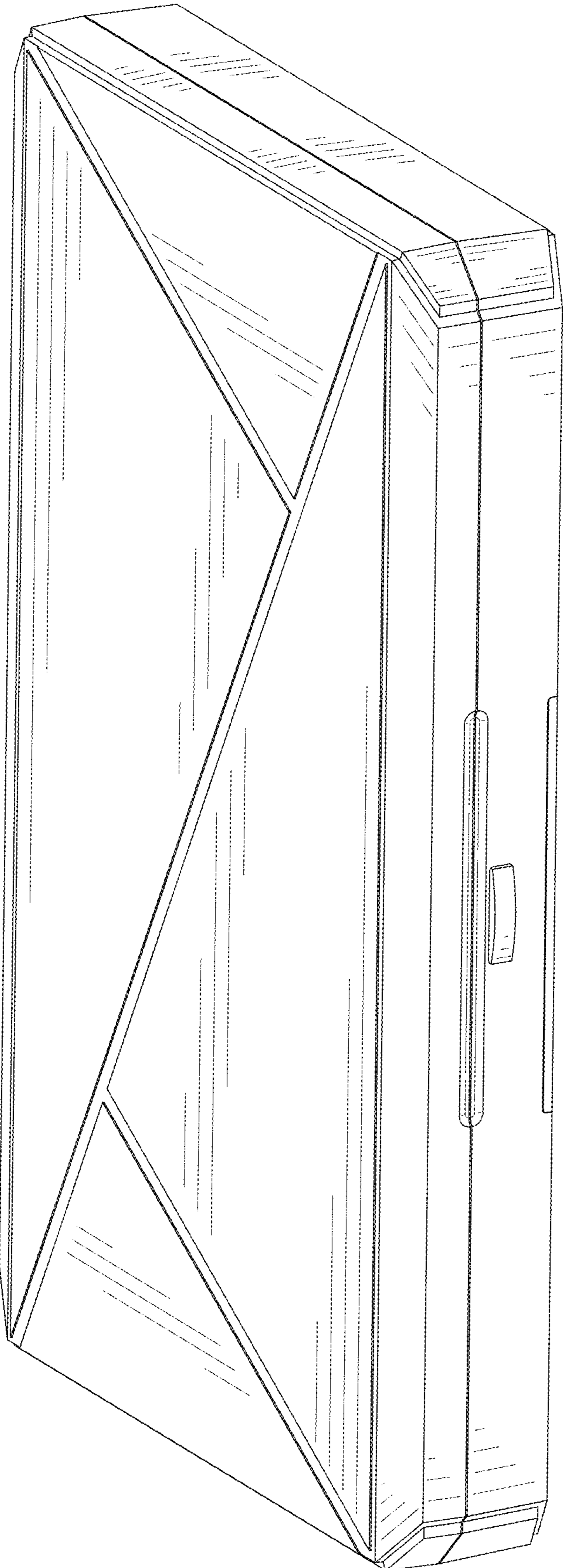


FIG. 3

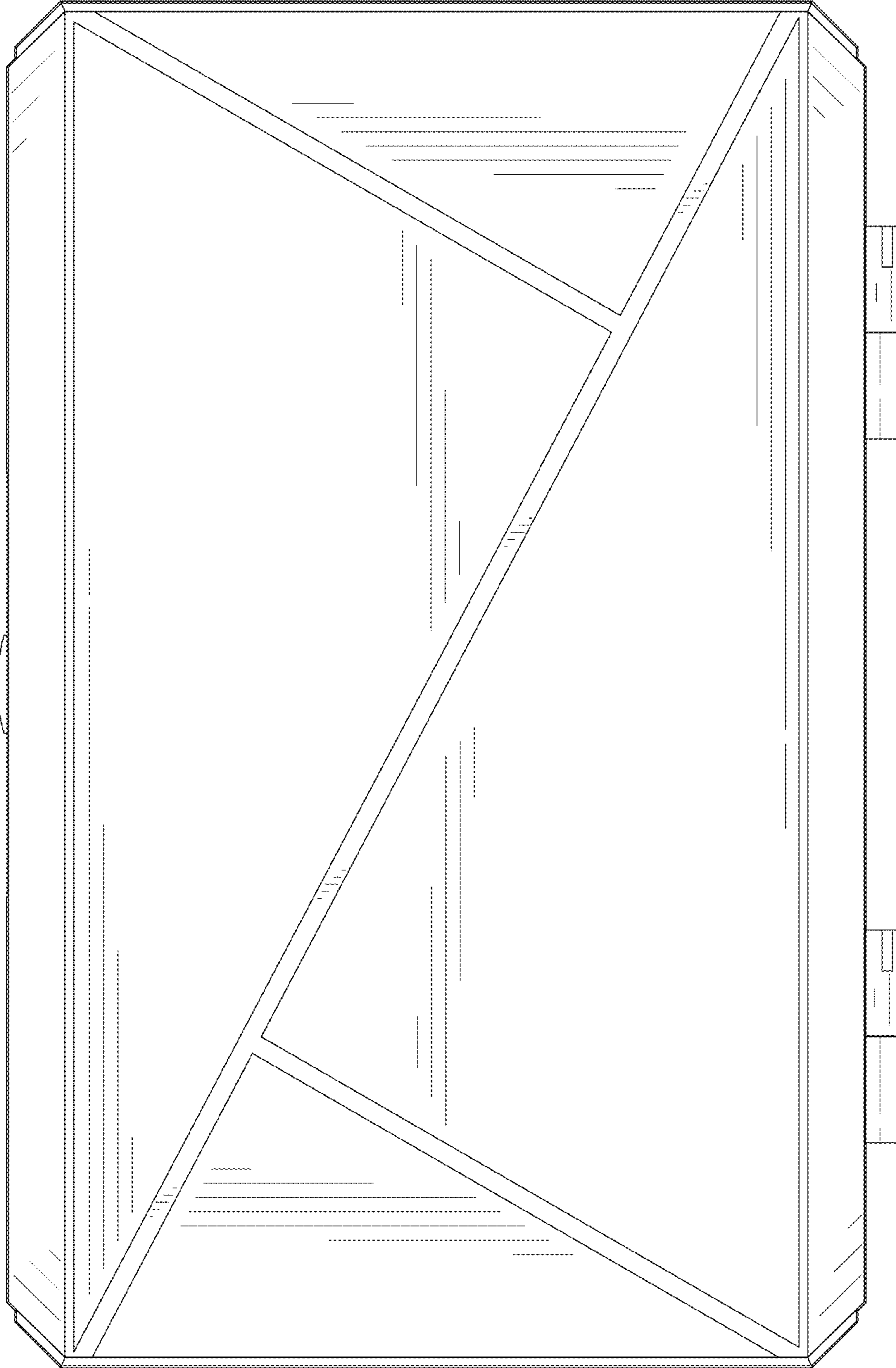


FIG. 4

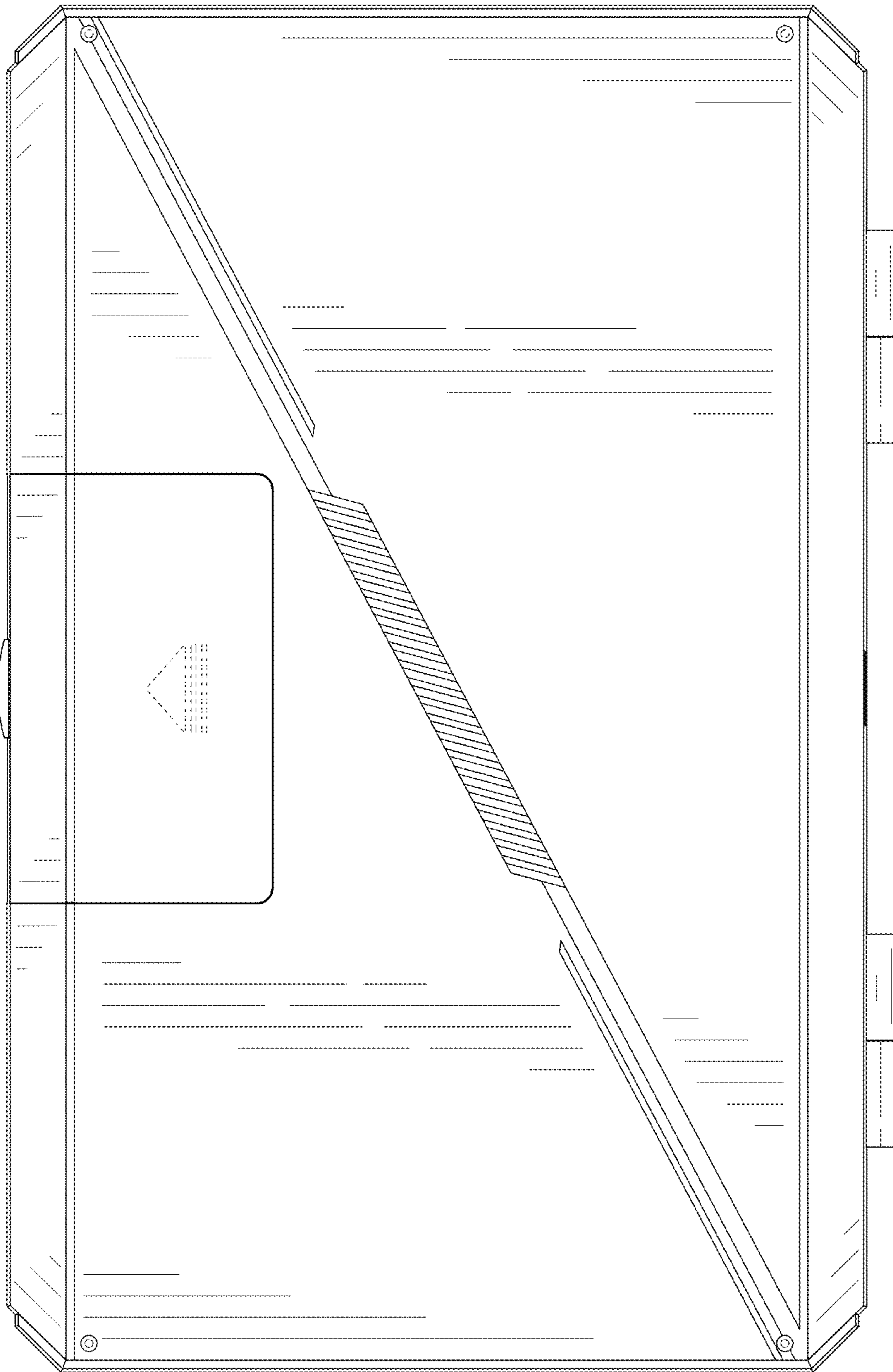


FIG. 5

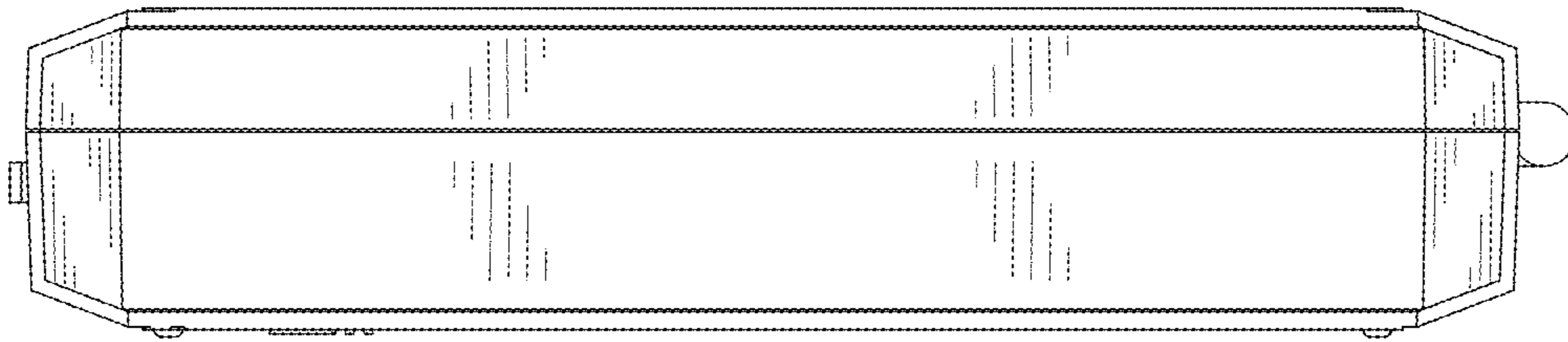


FIG. 6

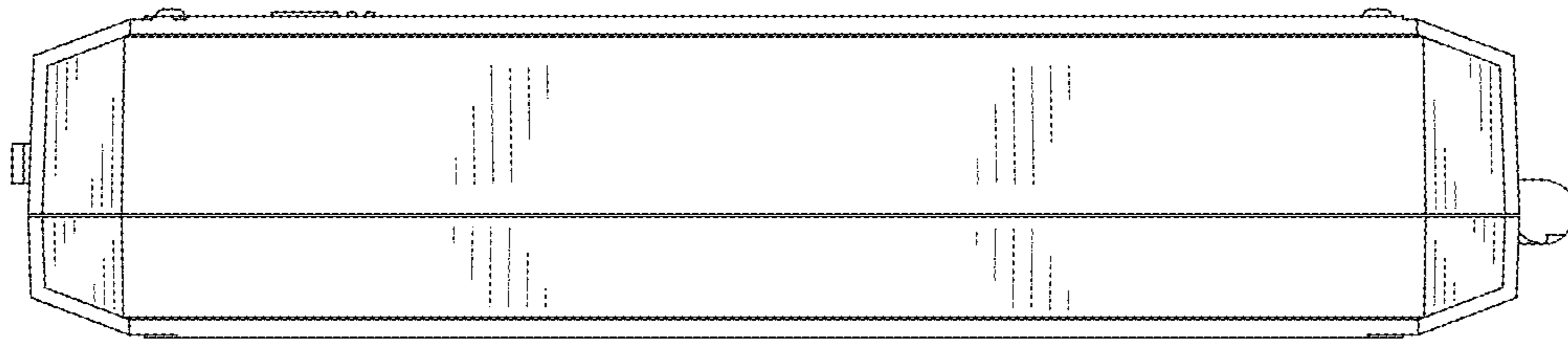


FIG. 7

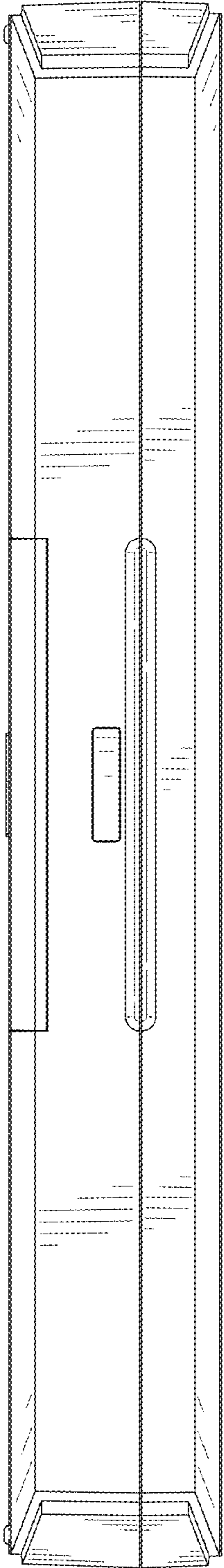


FIG. 8

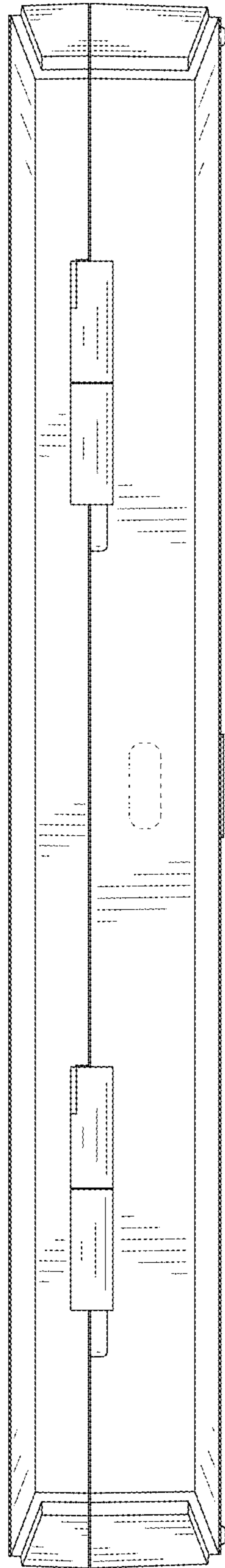


FIG. 9

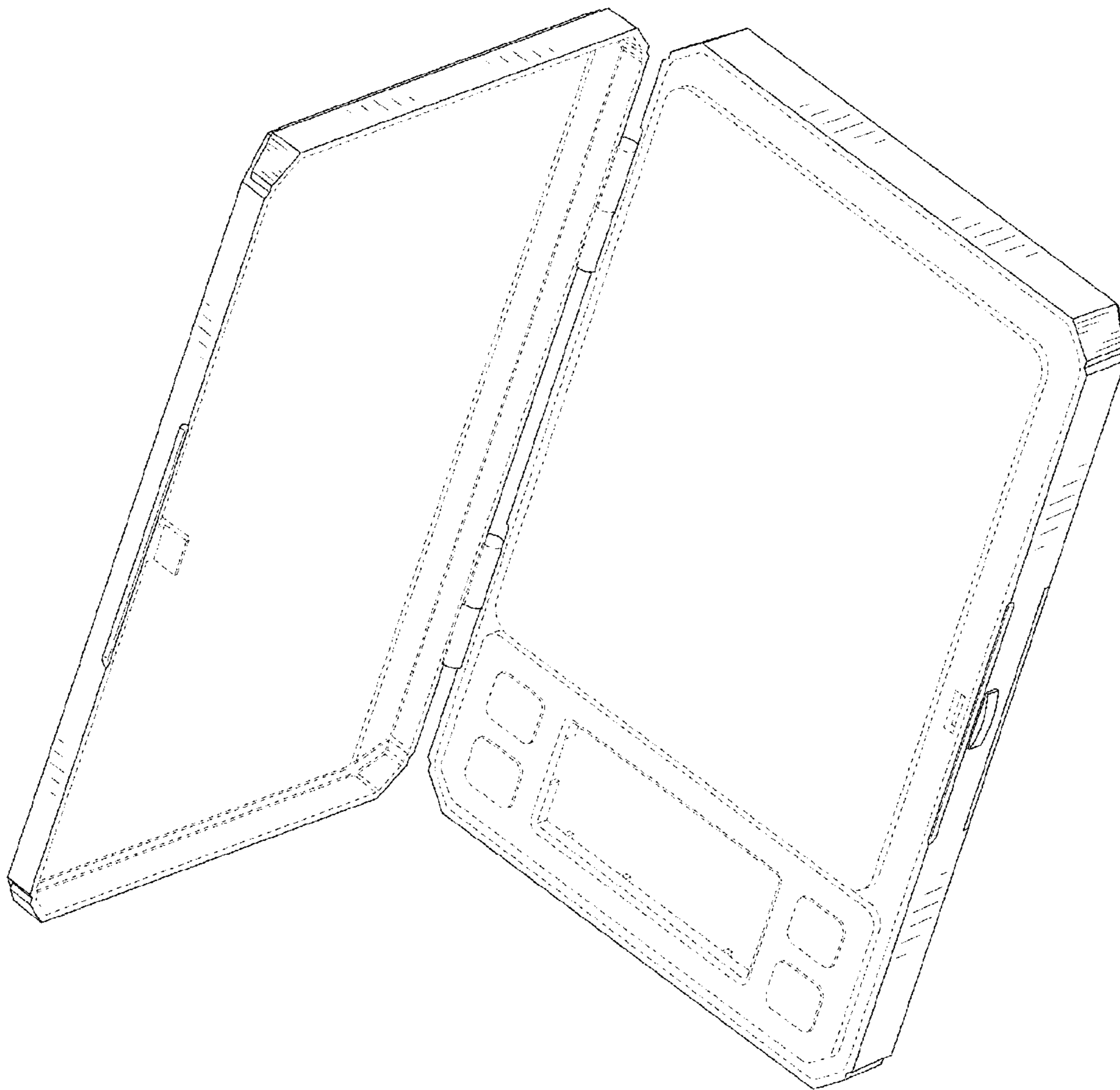


FIG. 10

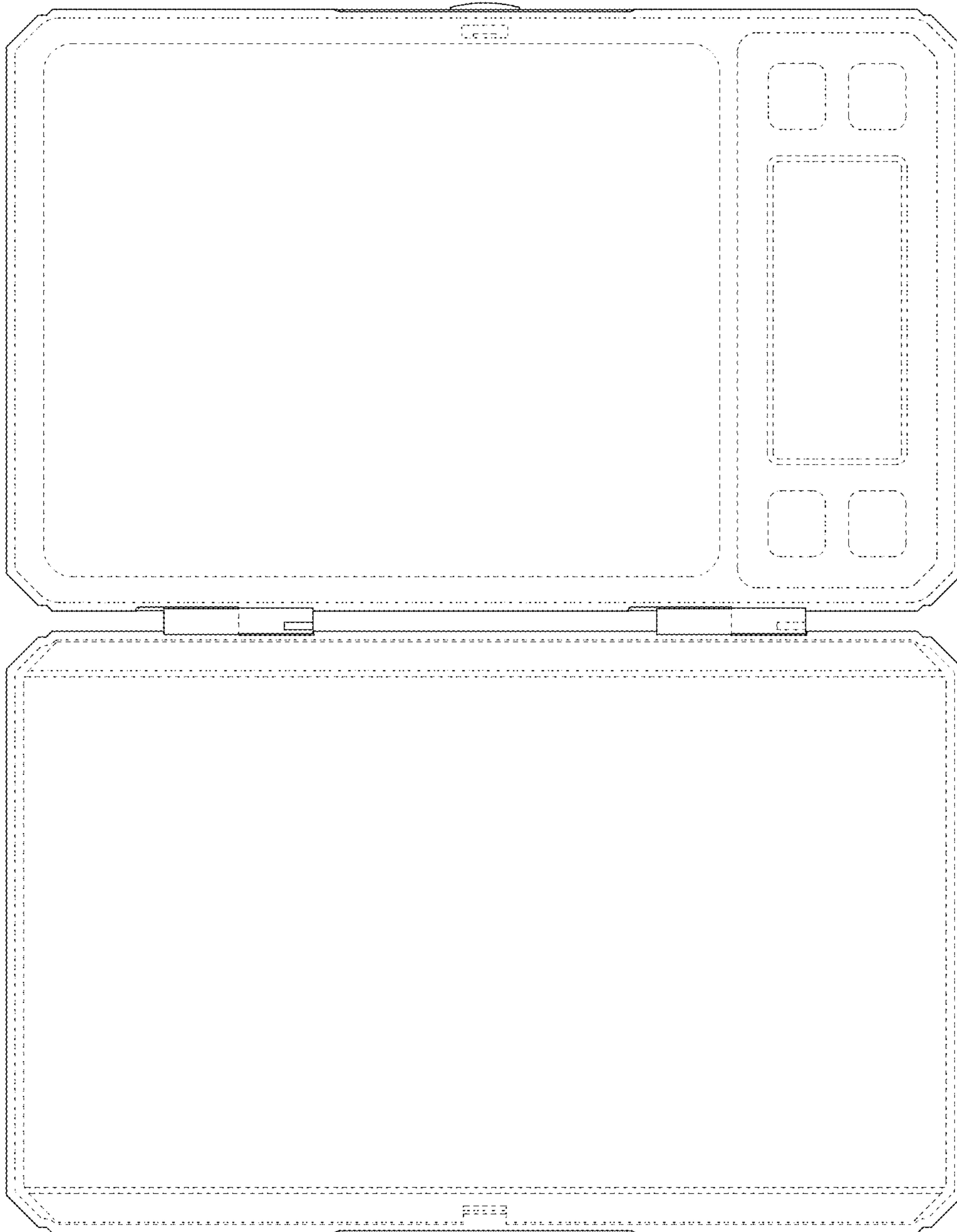


FIG. 11