



US00D985405S

(12) **United States Design Patent**  
**De Oliveira Correa et al.**

(10) **Patent No.: US D985,405 S**  
(45) **Date of Patent: \*\* \*May 9, 2023**

(54) **SPECTROPHOTOMETRIC SENSOR DEVICE**

(71) Applicant: **TELLSPEC, LTD.**, London (GB)

(72) Inventors: **Isabel De Oliveira Correa**, London (GB); **Diogo Barros Gonçalves**, London (GB); **Paolo Satta**, London (GB); **Massimiliano Datti**, London (GB); **Alessandro Spalletta**, London (GB); **Mark Bloore**, London (GB)

(73) Assignee: **TELLSPEC, LTD.**, London (GB)

(\*) Notice: This patent is subject to a terminal disclaimer.

(\*\*) Term: **15 Years**

(21) Appl. No.: **29/782,162**

(22) Filed: **May 4, 2021**

(51) **LOC (14) Cl.** ..... **10-04**

(52) **U.S. Cl.**  
USPC ..... **D10/78; D10/81**

(58) **Field of Classification Search**

USPC ..... D10/75, 78, 81  
CPC ..... G01J 3/00; G01J 3/0202; G01J 3/0205; G01J 3/0208; G01J 3/021; G01J 3/0213; G01J 3/0216; G01J 3/0218; G01J 3/0221; G01J 3/0224; G01J 3/0227; G01J 3/0229; G01J 3/0232; G01J 3/0235; G01J 3/0237; G01J 3/024; G01J 3/0243; G01J 3/0245; G01J 3/0248; G01J 3/0251; G01J 3/0254; G01J 3/0256; G01J 3/0259; G01J 3/0262; G01J 3/0264; G01J 3/0267; G01J 3/027; G01J 3/0272; G01J 3/0275; G01J 3/0278; G01J 3/0283; G01J 3/0286; G01J 3/0289; G01J 3/0291; G01J 3/0294; G01J 3/0297; G01J 3/04; G01J 3/06; G01J 3/08; G01J 3/12; G01J 3/1256; G01J 3/14; G01J 3/16; G01J 3/18; G01J 3/1804; G01J 3/1809; G01J 3/1833; G01J 3/1838; G01J 3/189; G01J 3/1895; G01J 3/20; G01J 3/22; G01J 3/24; G01J 3/26; G01J 3/28;

G01J 3/2803; G01J 3/2823; G01J 3/2846; G01J 3/2889; G01J 3/30; G01J 3/32; G01J 3/36; G01J 3/40; G01J 3/42; G01J 3/427; G01J 3/433; G01J 3/4338; G01J 3/44; G01J 3/4406; G01J 3/4412; G01J 3/443; G01J 3/447; G01J 3/45; G01J 3/453; G01J 3/4531; G01J 3/4532; G01J 3/4535; G01J 3/4537; G01J 3/457; G01J 3/46; G01J 3/461; G01J 3/462; G01J 3/463; G01J 3/465; G01J 3/50; G01J 3/501; G01J 3/502; G01J 3/504; G01J 3/505; G01J 3/506; G01J 3/508; G01J 3/51; G01J 3/513; G01J 3/52; G01J 3/522; G01J 3/524; G01J 3/526; G01J 3/528; G01J 2003/0281; G01J 2003/042; G01J

(Continued)

(56) **References Cited**

U.S. PATENT DOCUMENTS

D733,599 S \* 7/2015 Yokino ..... D10/81  
D770,921 S \* 11/2016 Nenonen ..... D10/81

(Continued)

*Primary Examiner* — Antoine Duval Davis

(74) *Attorney, Agent, or Firm* — Loyal IP Law, PLLC; Travis Banta

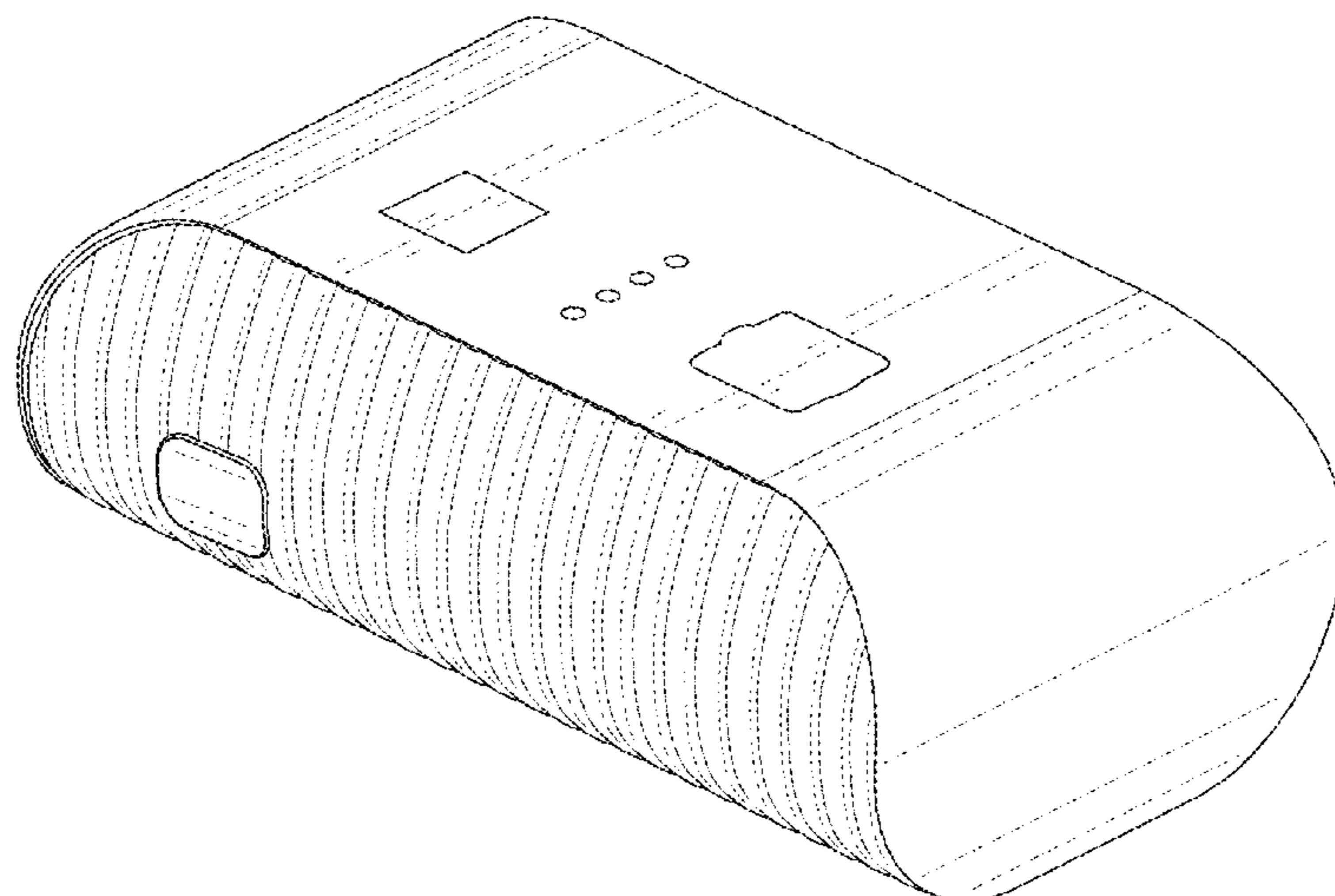
(57) **CLAIM**

The ornamental design for a spectrophotometric sensor device, as shown and described.

**DESCRIPTION**

FIG. 1 is a perspective view of the design; FIG. 2 is a top down view of the design; FIG. 3 is a bottom up of the design; FIG. 4 is a right side view of the design; FIG. 5 is a left side view of the design; FIG. 6 is a front view of the design; and, FIG. 7 is a rear view of the design.

**1 Claim, 7 Drawing Sheets**



(58) **Field of Classification Search**

CPC ... 2003/045; G01J 2003/047; G01J 2003/061;  
G01J 2003/062; G01J 2003/064; G01J  
2003/065; G01J 2003/066; G01J  
2003/067; G01J 2003/068; G01J  
2003/069; G01J 2003/1204; G01J  
2003/1208; G01J 2003/1213; G01J  
2003/1217; G01J 2003/1221; G01J  
2003/1226; G01J 2003/123; G01J  
2003/1234; G01J 2003/1239; G01J  
2003/1243; G01J 2003/1247; G01J  
2003/1252; G01J 2003/126; G01J  
2003/1265; G01J 2003/1269; G01J  
2003/1273; G01J 2003/1278; G01J  
2003/1282; G01J 2003/1286; G01J  
2003/1291; G01J 2003/1295; G01J  
2003/145; G01J 2003/1814; G01J  
2003/1819; G01J 2003/1823; G01J  
2003/1828; G01J 2003/1842; G01J  
2003/1847; G01J 2003/1852; G01J  
2003/1857; G01J 2003/1861; G01J  
2003/1866; G01J 2003/1871; G01J  
2003/1876; G01J 2003/188; G01J  
2003/1885; G01J 2003/262; G01J  
2003/26; G01J 2003/267; G01J  
2003/2806; G01J 2003/2809; G01J  
2003/2813; G01J 2003/2816; G01J  
2003/282; G01J 2003/2826; G01J  
2003/283; G01J 2003/2833; G01J  
2003/2836; G01J 2003/284; G01J

2003/2843; G01J 2003/285; G01J  
2003/2853; G01J 2003/2856; G01J  
2003/2859; G01J 2003/2863; G01J  
2003/2866; G01J 2003/2869; G01J  
2003/2873; G01J 2003/2876; G01J  
2003/2879; G01J 2003/2883; G01J  
2003/2886; G01J 2003/2893; G01J  
2003/2896; G01J 2003/323; G01J  
2003/326; G01J 2003/421; G01J  
2003/423; G01J 2003/425; G01J  
2003/4275; G01J 2003/4332; G01J  
2003/4334; G01J 2003/4336; G01J  
2003/4418; G01J 2003/4424; G01J  
2003/4435; G01J 2003/451; G01J  
2003/452; G01J 2003/4534; G01J  
2003/4538; G01J 2003/466; G01J  
2003/467; G01J 2003/468; G01J  
2003/503; G01J 2003/507; G01J  
2003/516

See application file for complete search history.

(56)

**References Cited**

U.S. PATENT DOCUMENTS

D829,578 S \* 10/2018 Hirose ..... D10/81  
D829,580 S \* 10/2018 Hirose ..... D10/81  
D833,898 S \* 11/2018 Hirose ..... D10/81  
D962,089 S \* 8/2022 Sarsak ..... D10/53

\* cited by examiner

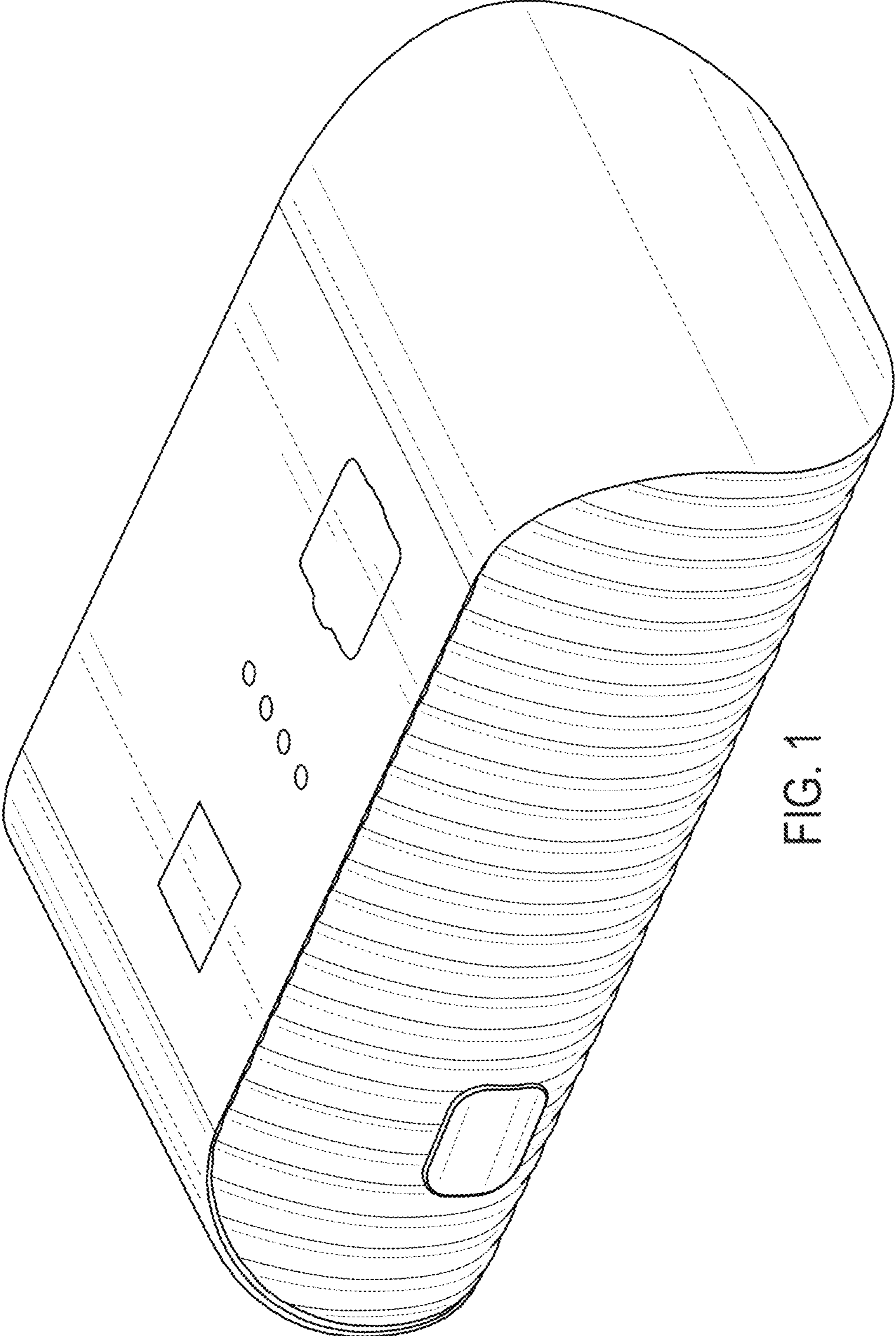


FIG. 1

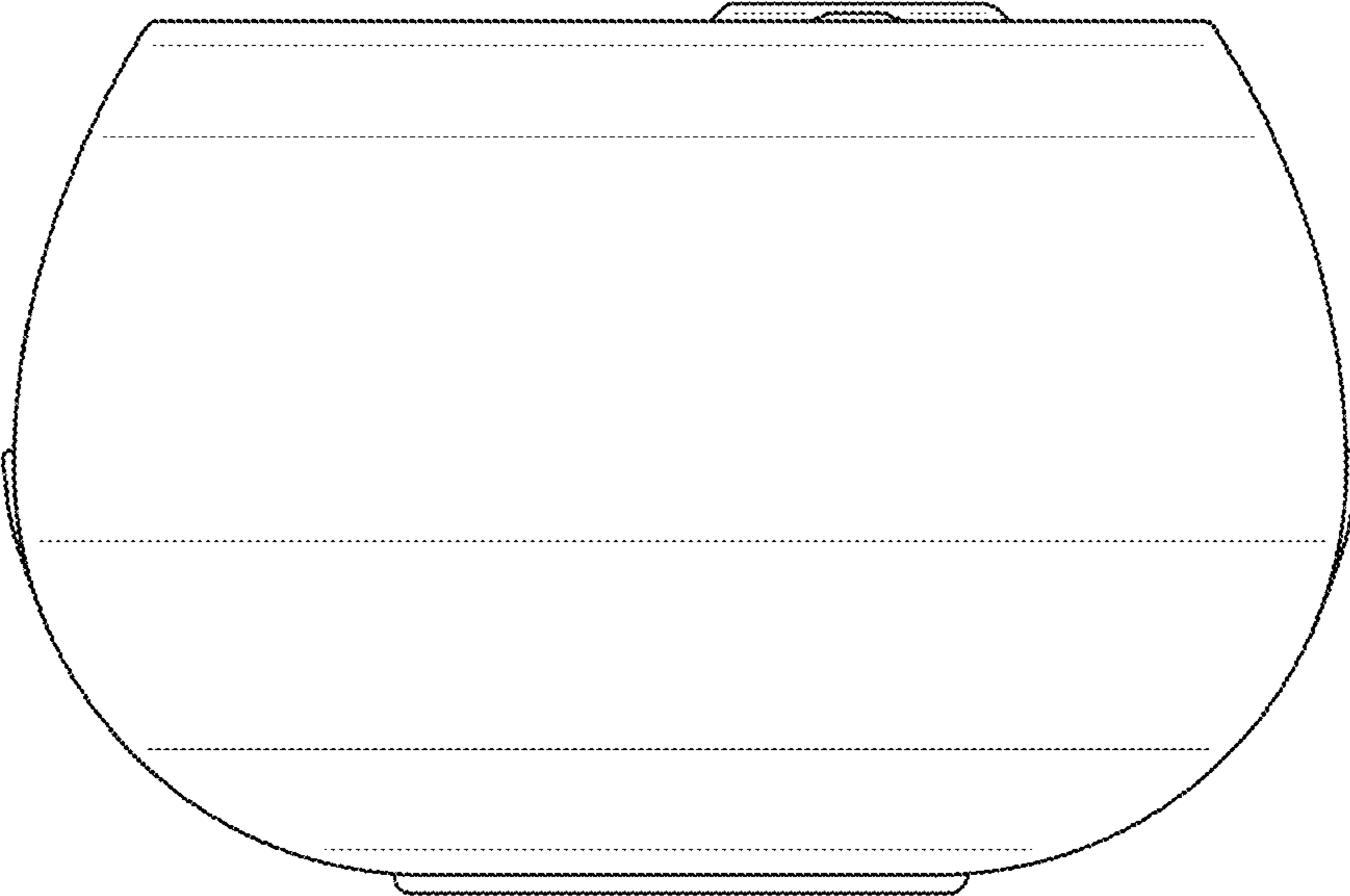


FIG. 2

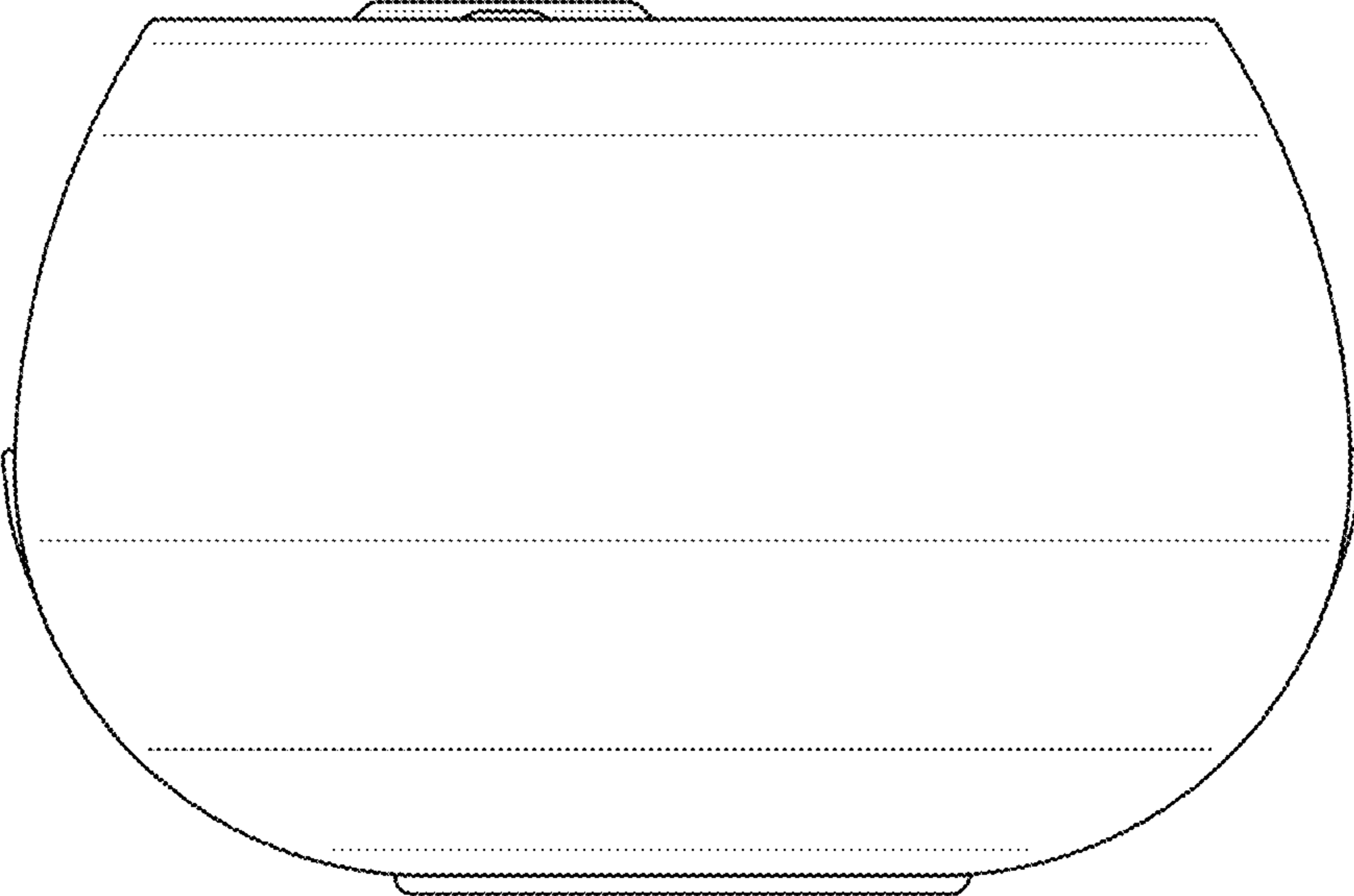


FIG. 3

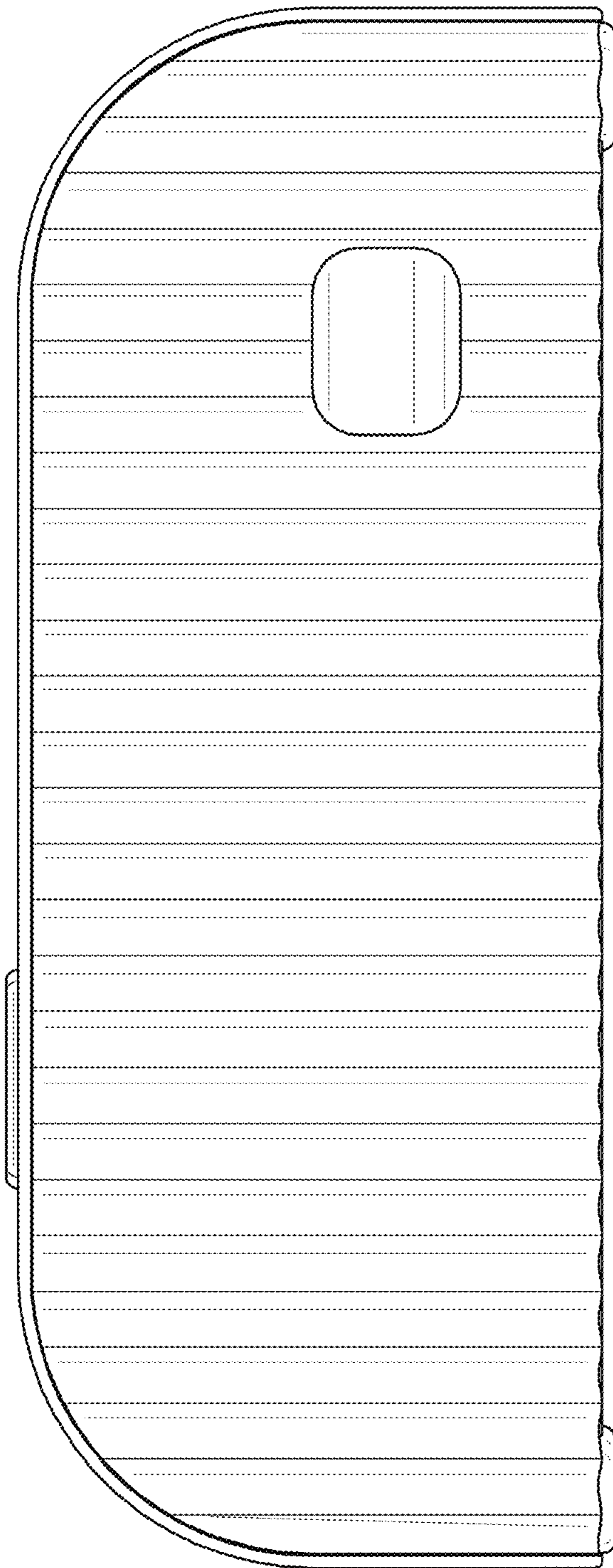


FIG. 4

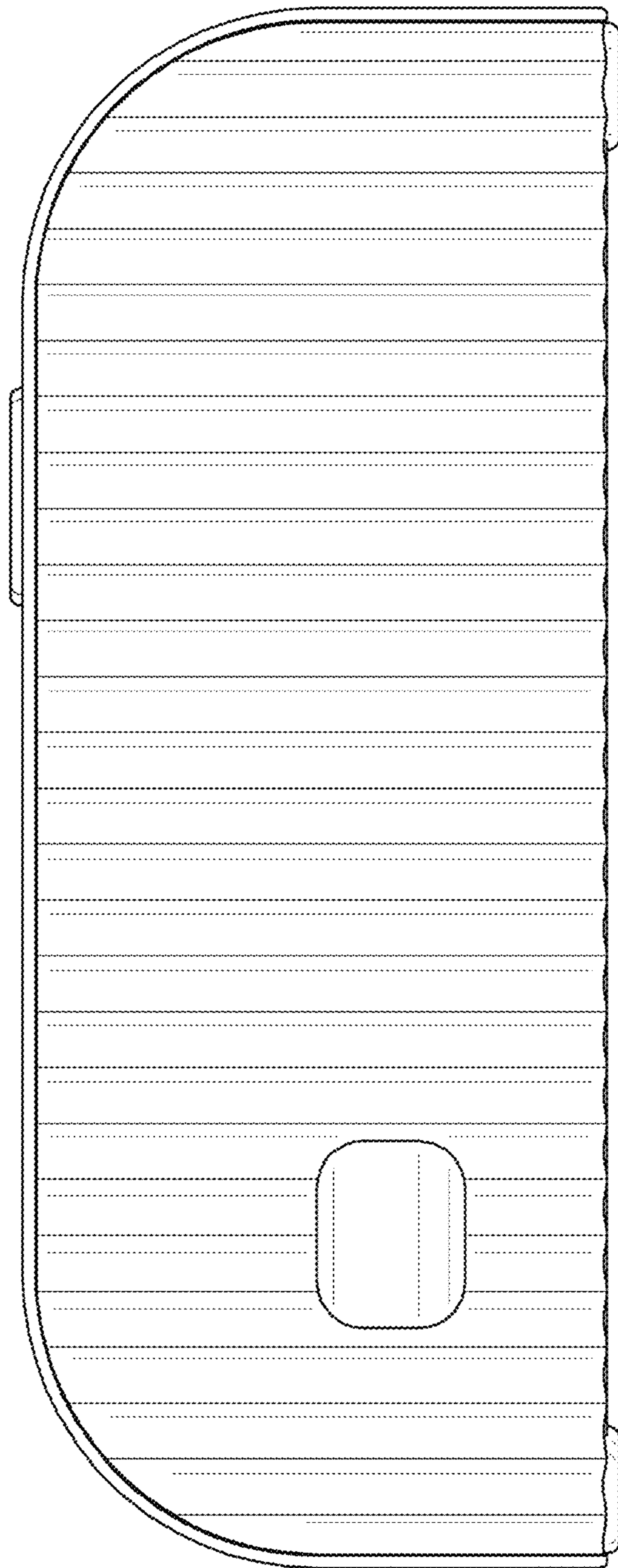


FIG. 5

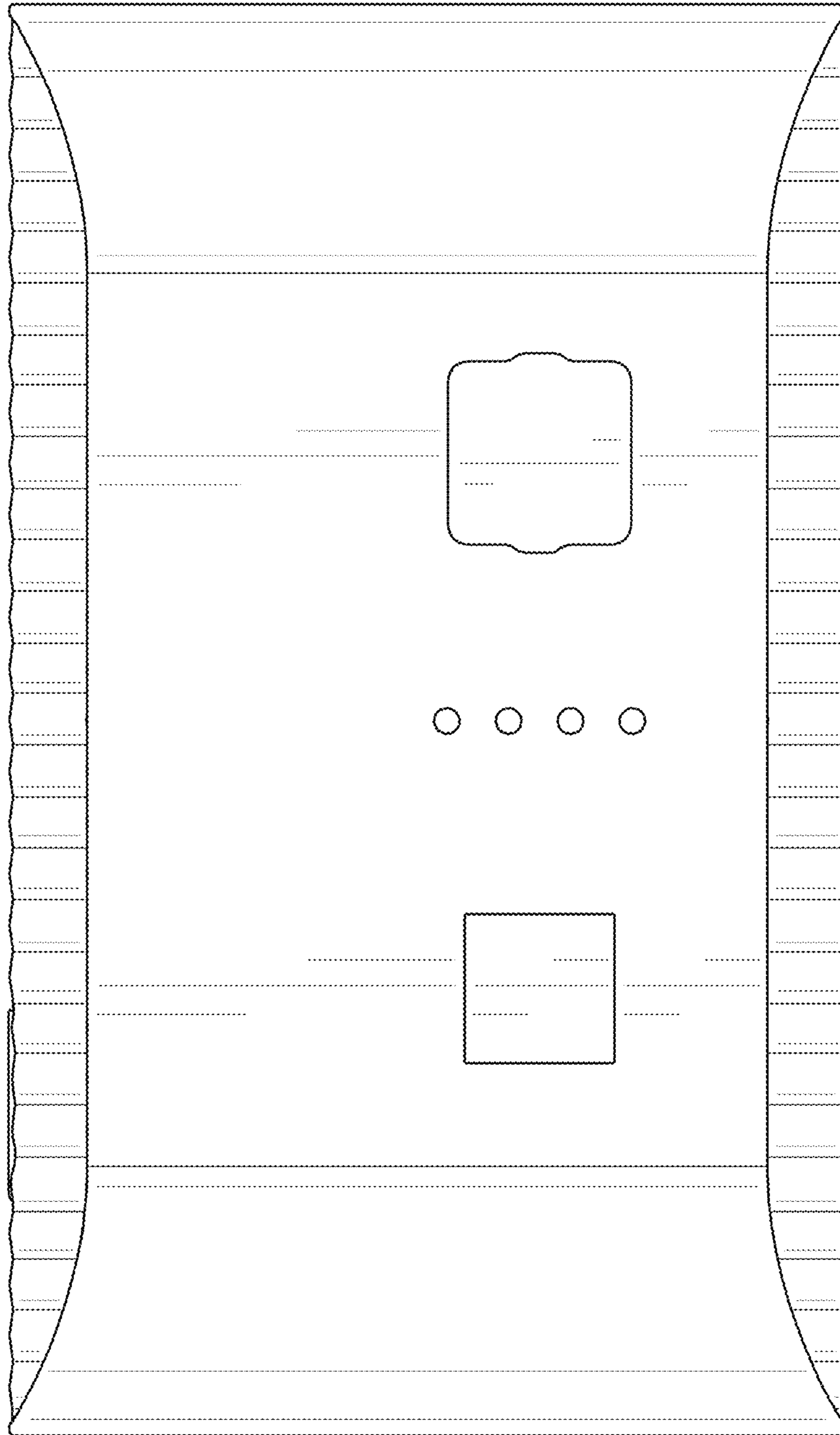


FIG. 6



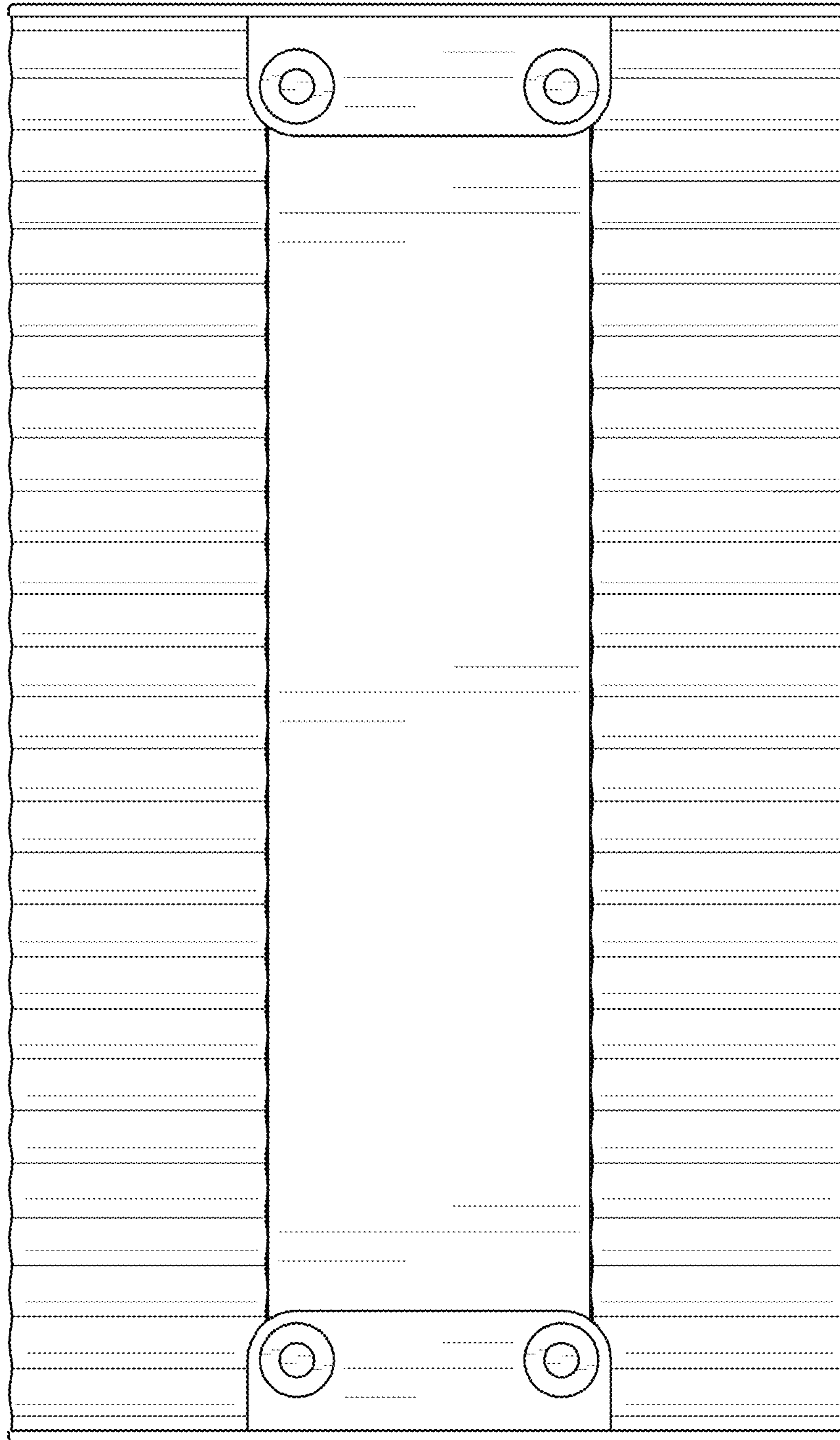


FIG. 7