



US00D985401S

(12) **United States Design Patent** (10) **Patent No.:** **US D985,401 S**
Daniels et al. (45) **Date of Patent:** **** May 9, 2023**

(54) **SET OF MEASURING SPOONS**

(71) Applicant: **Welcome Industries LLC**, Evanston, IL (US)

(72) Inventors: **Pam Daniels**, Evanston, IL (US);
Brandon Williams, Bremen, IN (US)

(73) Assignee: **Welcome Industries LLC**, Evanston, IL (US)

(**) Term: **15 Years**

(21) Appl. No.: **29/760,586**

(22) Filed: **Dec. 2, 2020**

(51) **LOC (14) Cl.** **10-04**

(52) **U.S. Cl.**
USPC **D10/46.3**

(58) **Field of Classification Search**
USPC D10/46.2, 46.3; D24/116; D7/691
CPC B65D 41/26; G01F 19/00-007; A47G
2019/2277; A61J 7/0023
See application file for complete search history.

(56) **References Cited**

U.S. PATENT DOCUMENTS

D141,881	S	*	7/1945	Mathewson	D10/46.3
D182,687	S	*	4/1958	Reichow	D10/46.3
D223,277	S	*	4/1972	Macowski	D10/46.3
D236,066	S	*	7/1975	Best	D7/691
4,616,867	A	*	10/1986	O'Hara	A47F 13/08
						D10/46.2
D319,985	S	*	9/1991	Crawford	D10/46.2
D495,964	S	*	9/2004	Overthun	D10/46.2
D555,985	S	*	11/2007	Schreiber-Pethan	D7/691
D582,298	S	*	12/2008	Vendl	D10/46.3

(Continued)

Primary Examiner — Brett Miller

(74) *Attorney, Agent, or Firm* — Quarles & Brady LLP

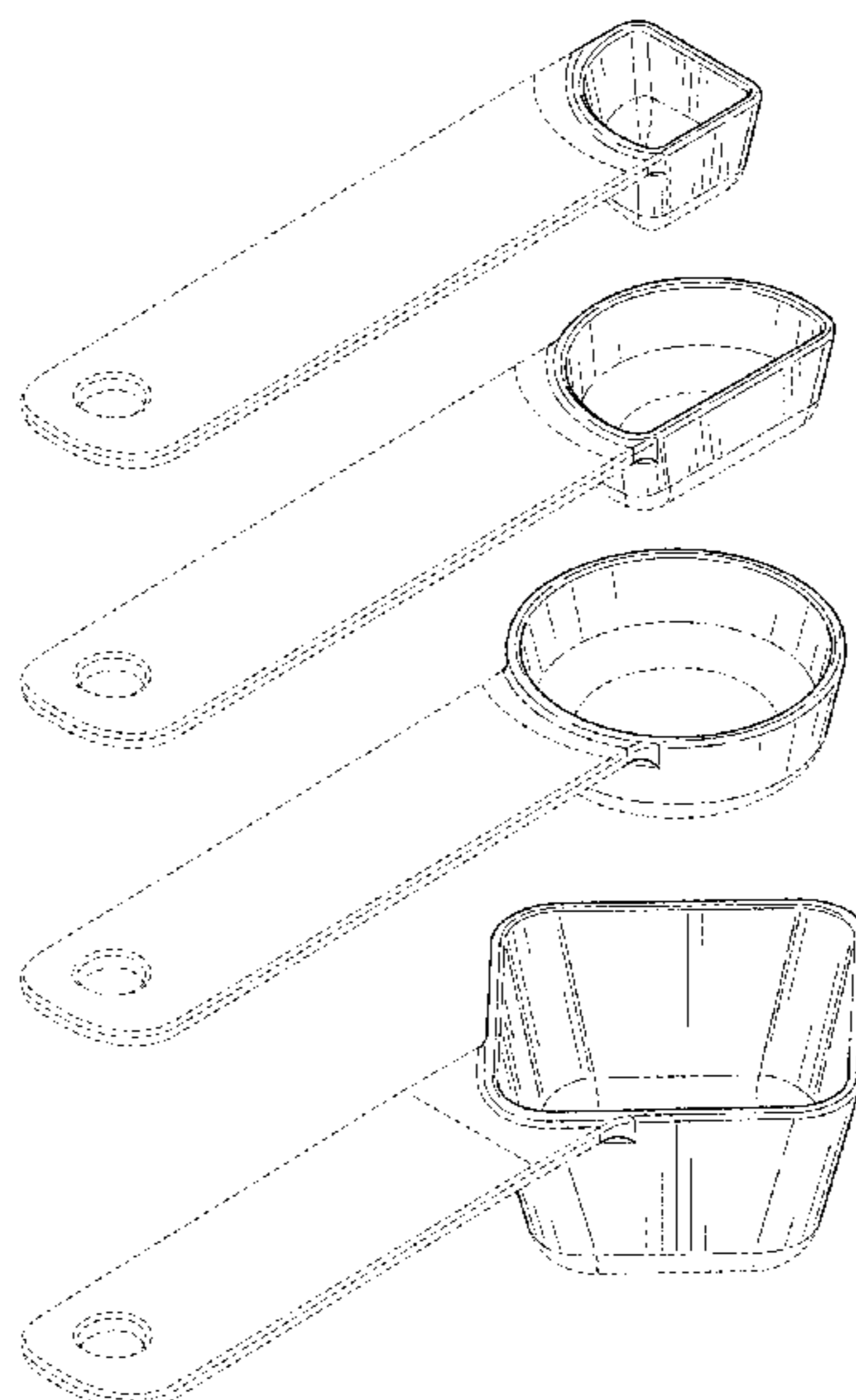
(57) **CLAIM**
The ornamental design for a set of measuring spoons, as shown and described.

DESCRIPTION

FIG. 1 is an exploded, isometric view of a front, top, and right side of an ornamental design for a set of measuring spoons;
FIG. 2 is an exploded, front elevational view of the set of measuring spoons of FIG. 1;
FIG. 3 is an exploded, rear elevational view of the set of measuring spoons of FIG. 1;
FIG. 4 is an exploded, right side elevational view of the set of measuring spoons of FIG. 1;
FIG. 5 is an exploded, left side elevational view of the set of measuring spoons of FIG. 1;
FIG. 6 is an exploded, top plan view of the set of measuring spoons of FIG. 1;
FIG. 7 is an exploded, bottom plan view of the set of measuring spoons of FIG. 1;
FIG. 8 is an isometric view of a front, top, and right side of the set of measuring spoons shown in FIGS. 1-7 depicted in a nested configuration;
FIG. 9 is a front elevational view of the set of measuring spoons of FIG. 8;
FIG. 10 is a rear elevational view of the set of measuring spoons of FIG. 8;
FIG. 11 is a right side elevational view of the set of measuring spoons of FIG. 8;
FIG. 12 is a left side elevational view of the set of measuring spoons of FIG. 8;
FIG. 13 is a top plan view of the set of measuring spoons of FIG. 8; and,
FIG. 14 is a bottom plan view of the set of measuring spoons of FIG. 8.

The dash-dash-dash lines are included for the purpose of illustrating portions of the set of measuring spoons that form no part of the claimed design. The dash-dot-dash lines showing boundary lines form no part of the claimed design.

1 Claim, 8 Drawing Sheets



(56)

References Cited

U.S. PATENT DOCUMENTS

D624,444 S *	9/2010	Fenner	D10/46.2
D666,505 S *	9/2012	De Leo	D10/46.2
D666,926 S *	9/2012	De Leo	D10/46.2
D845,153 S *	4/2019	Daniels	D10/46.3

* cited by examiner

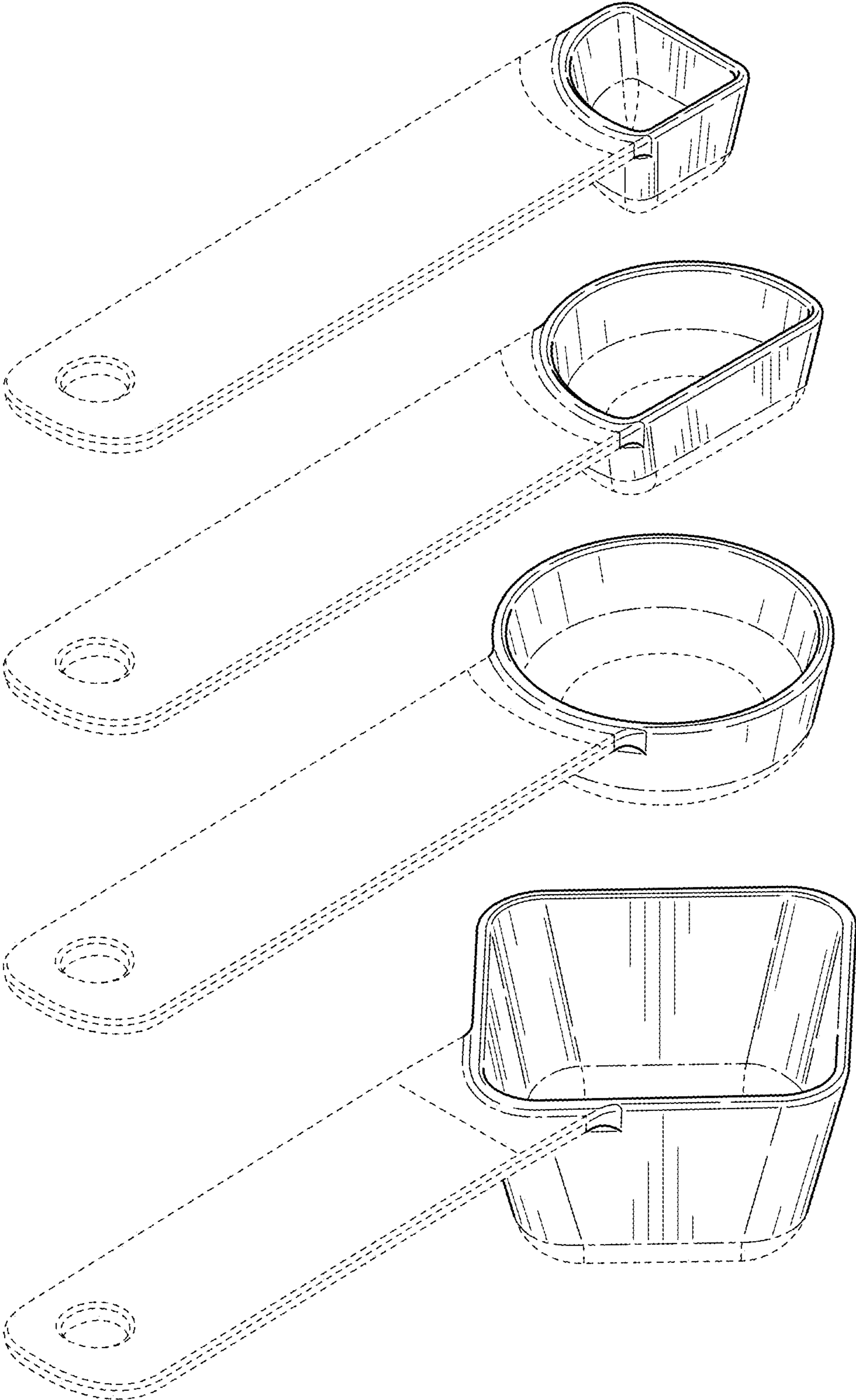


FIG. 1

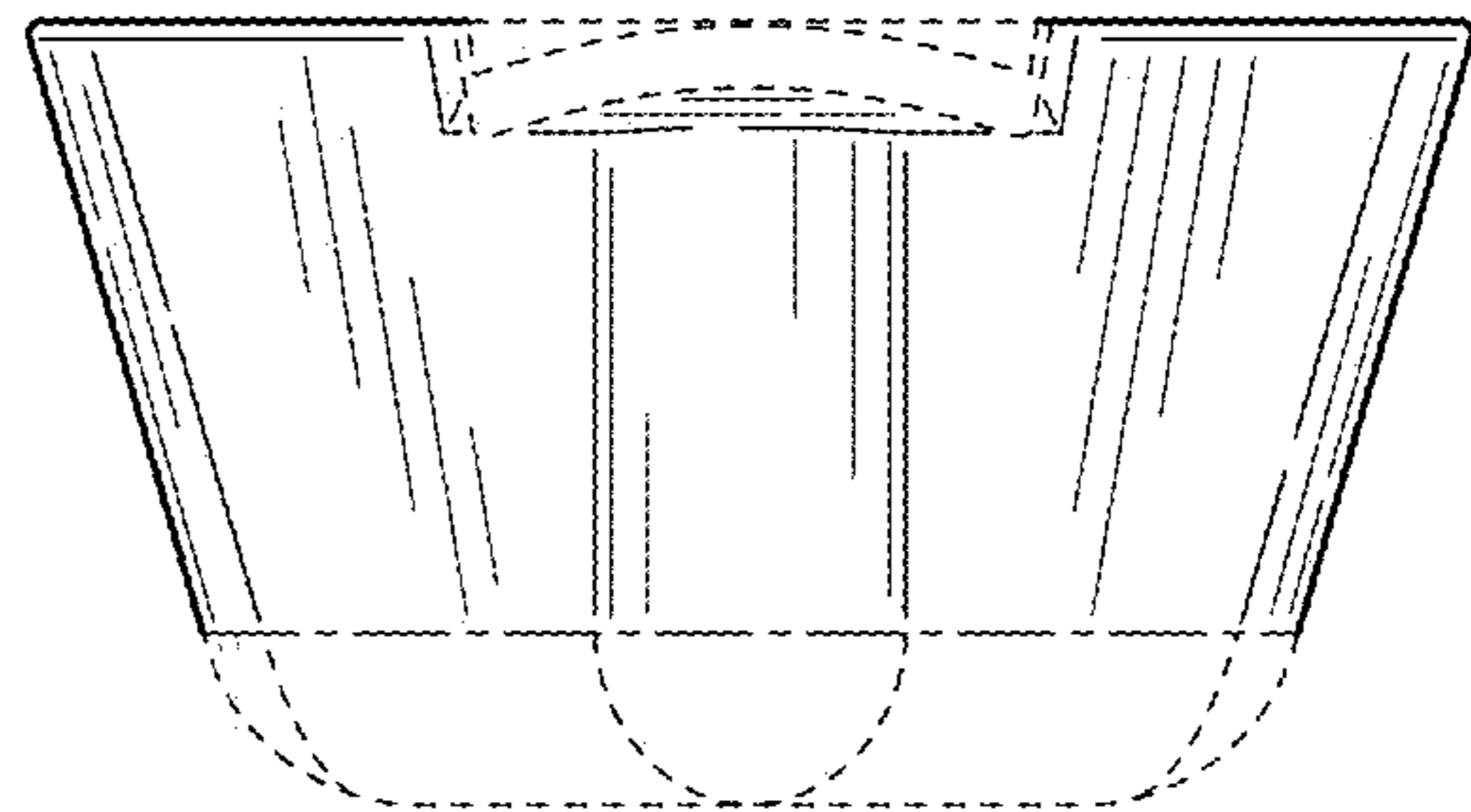
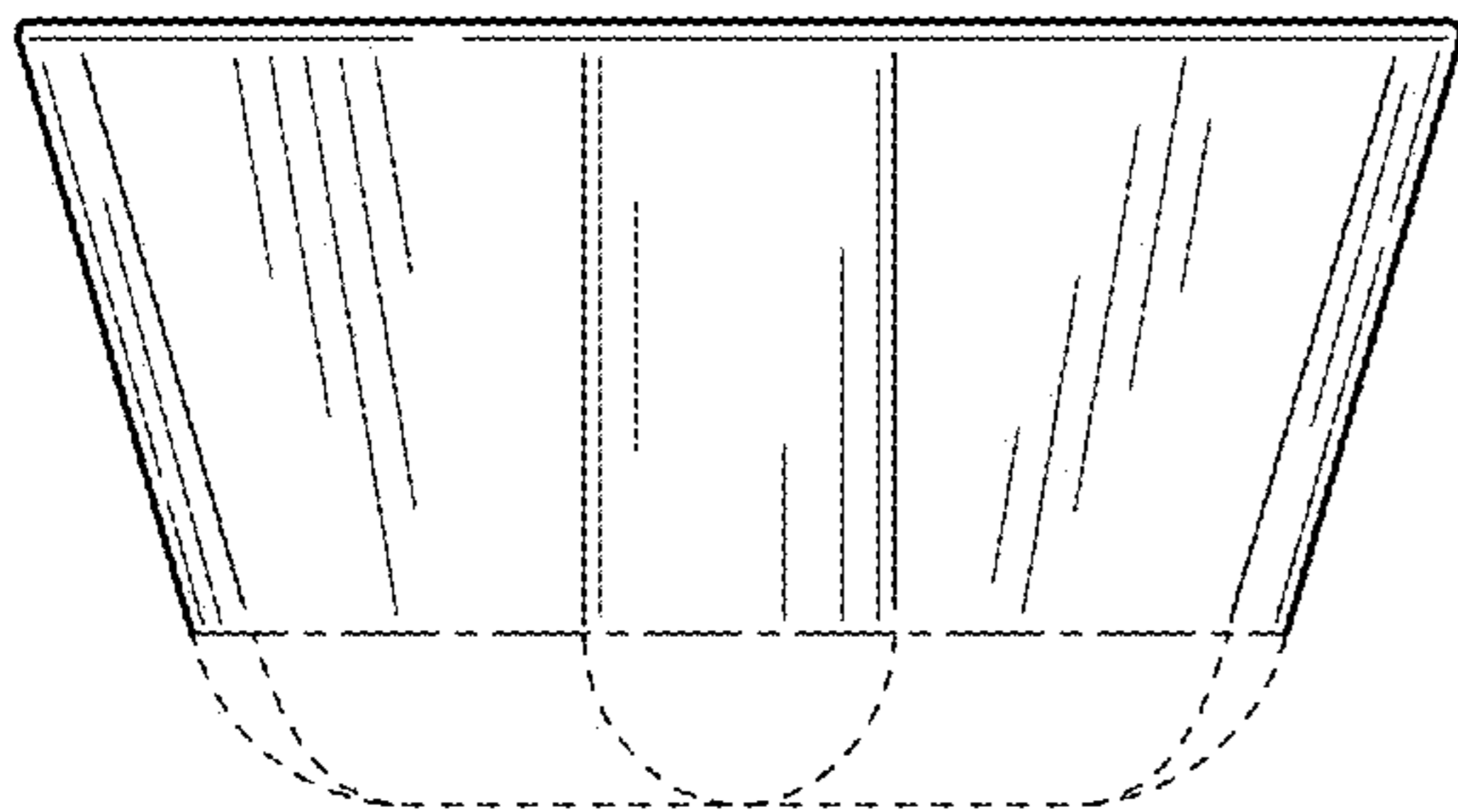
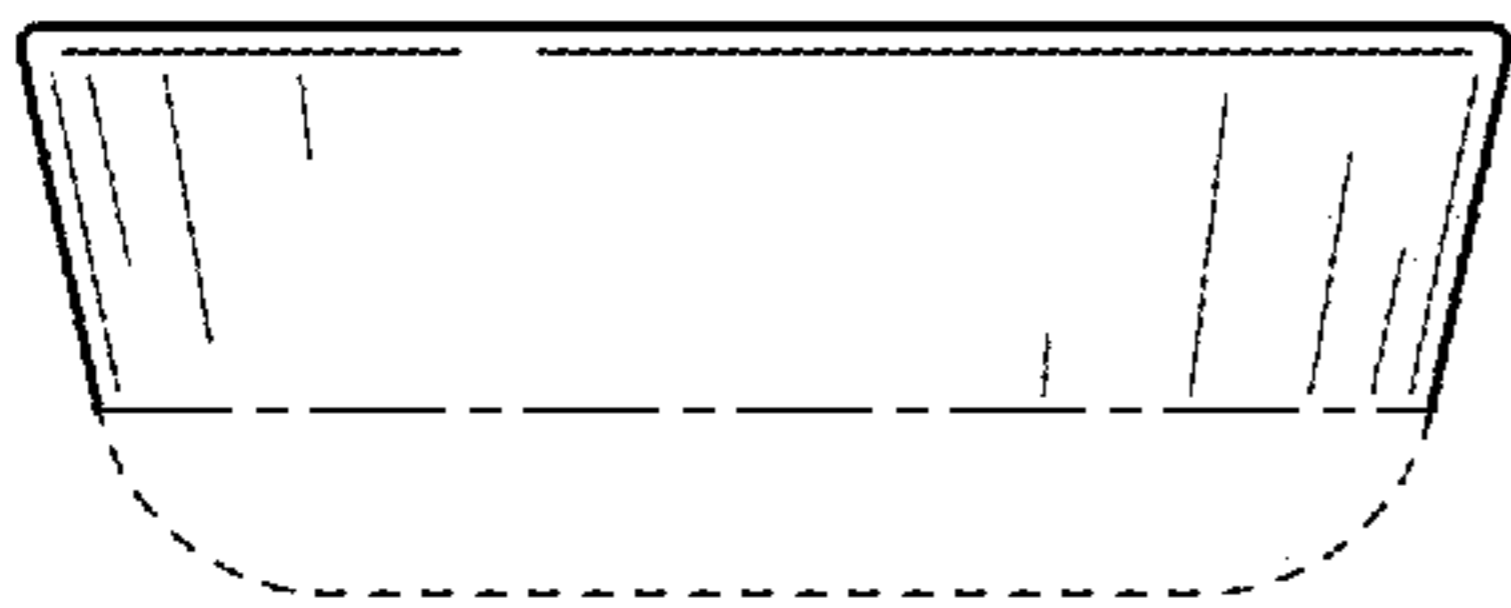
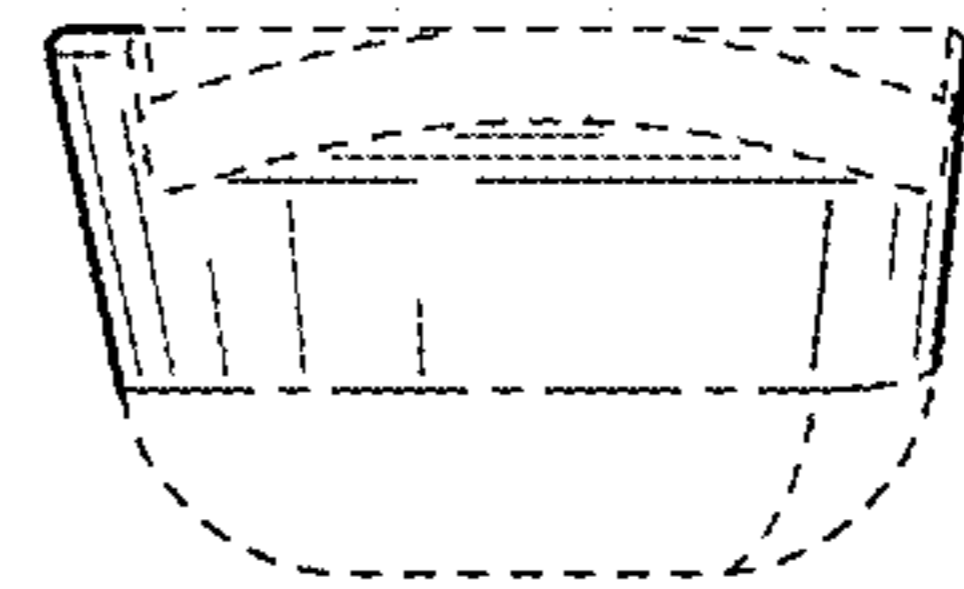
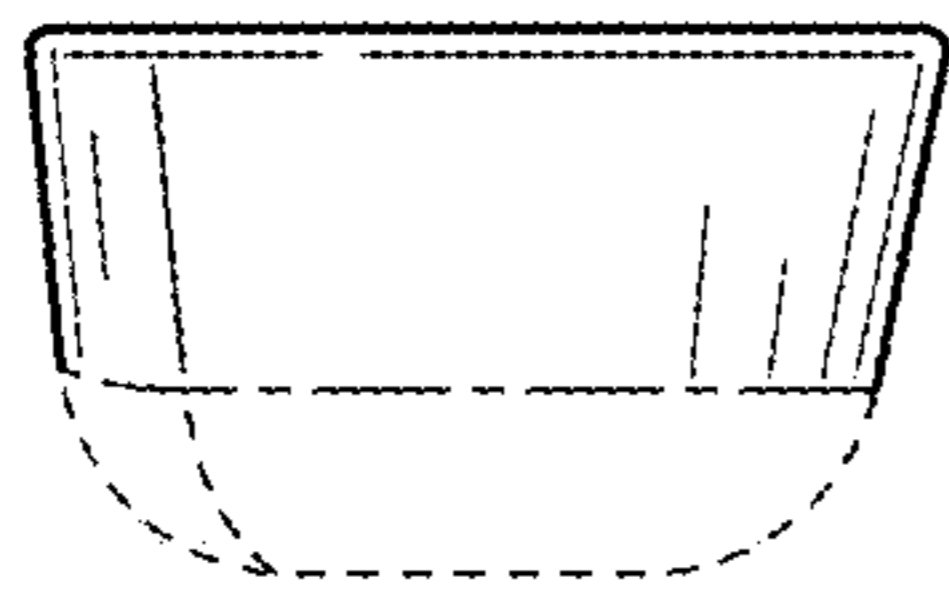
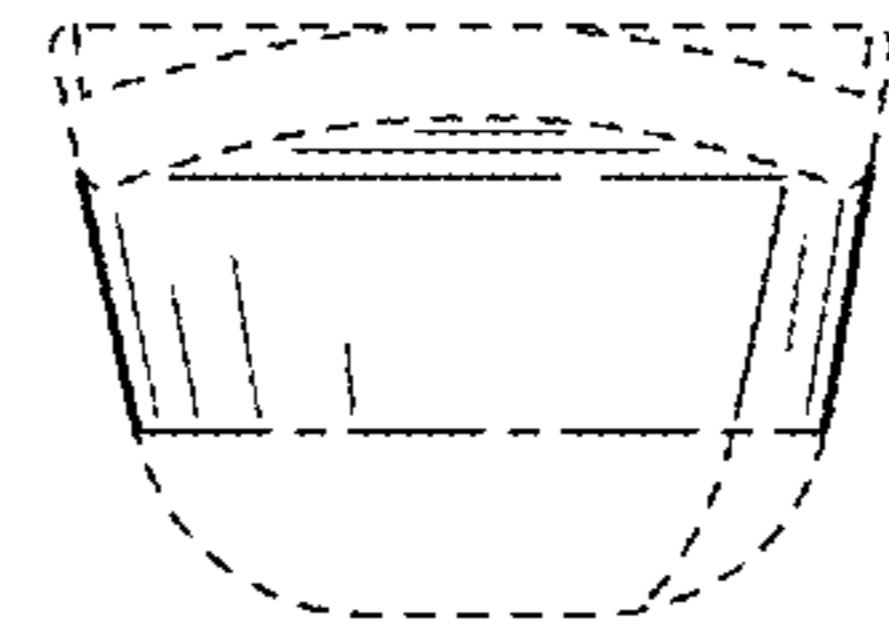
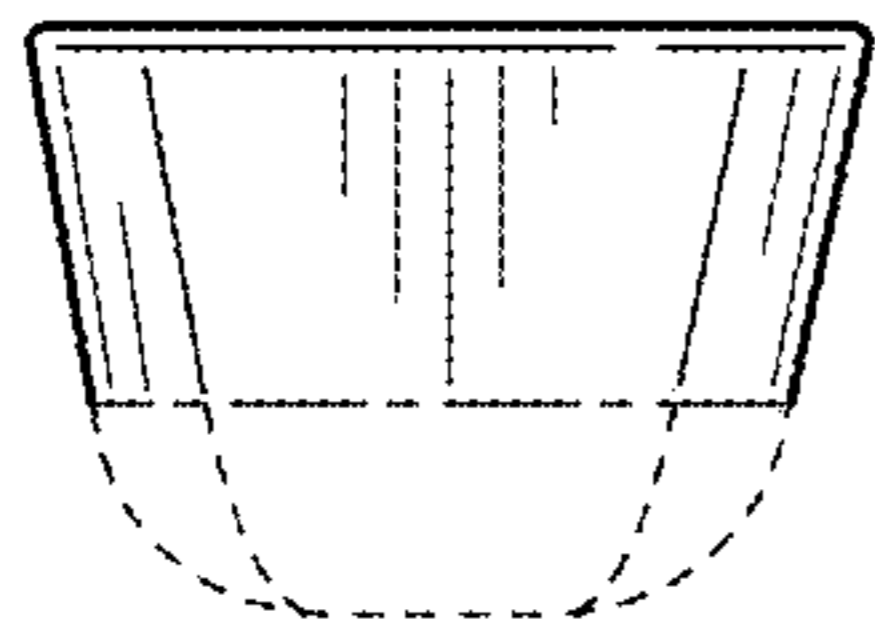


FIG. 2

FIG. 3

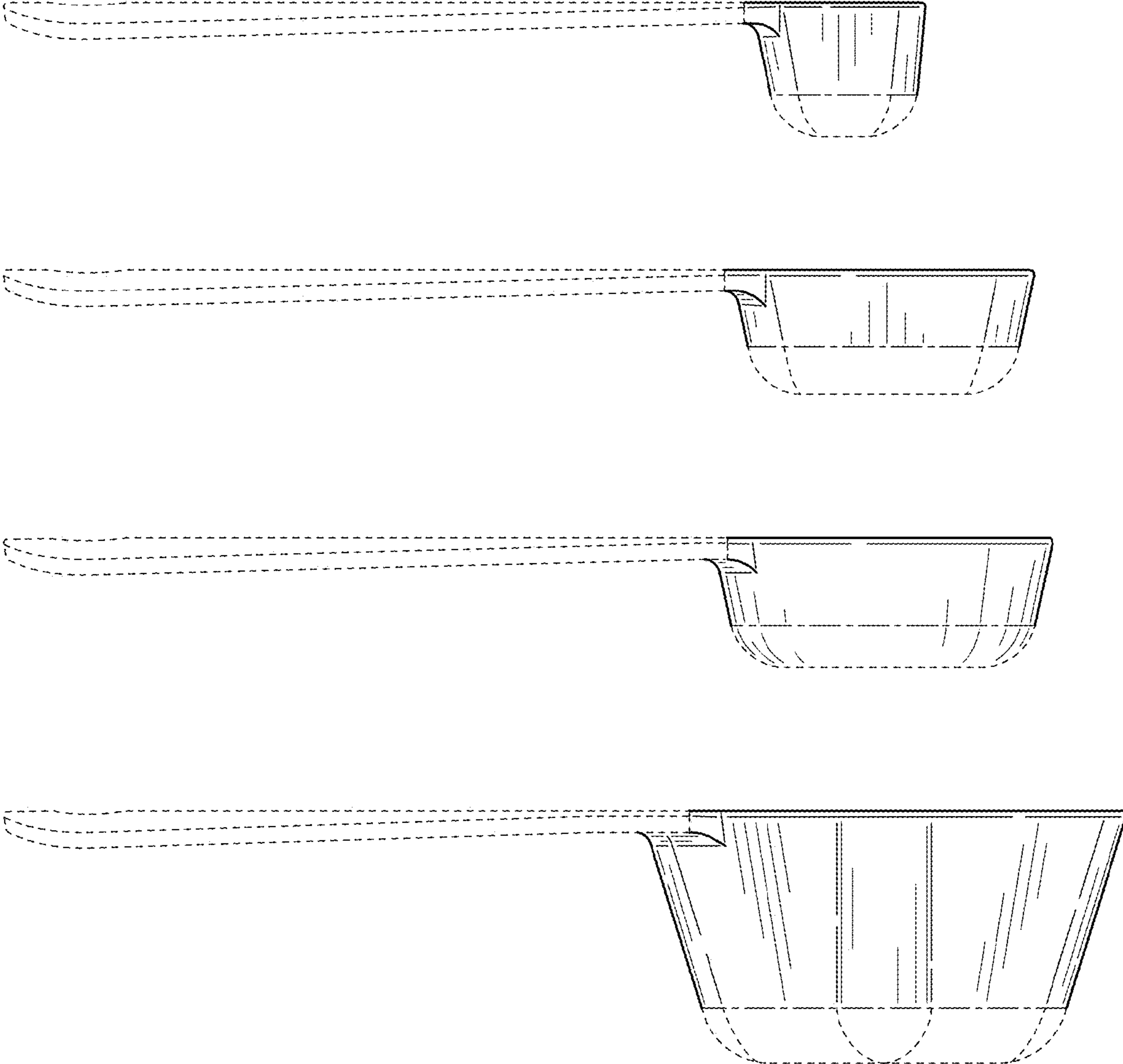


FIG. 4

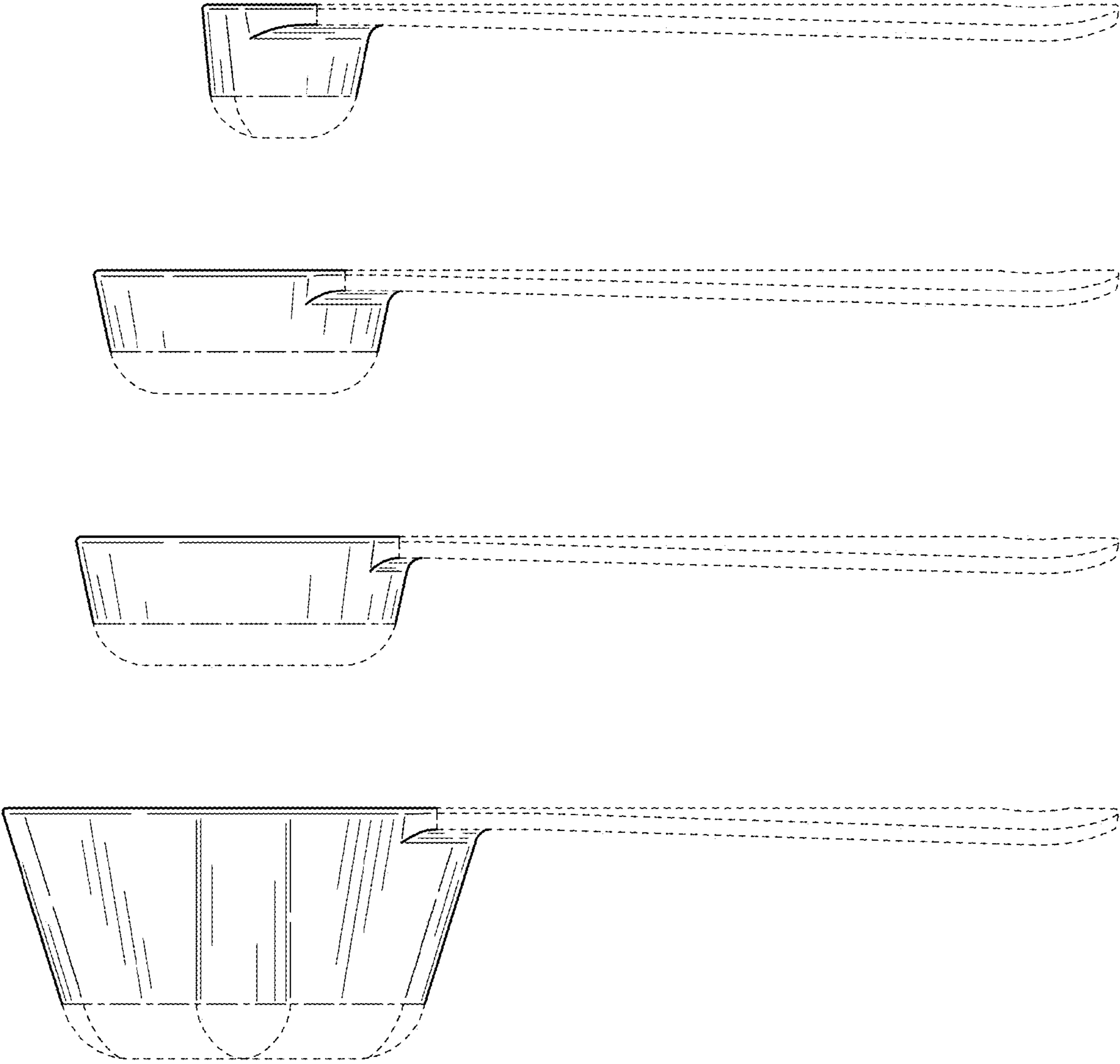


FIG. 5

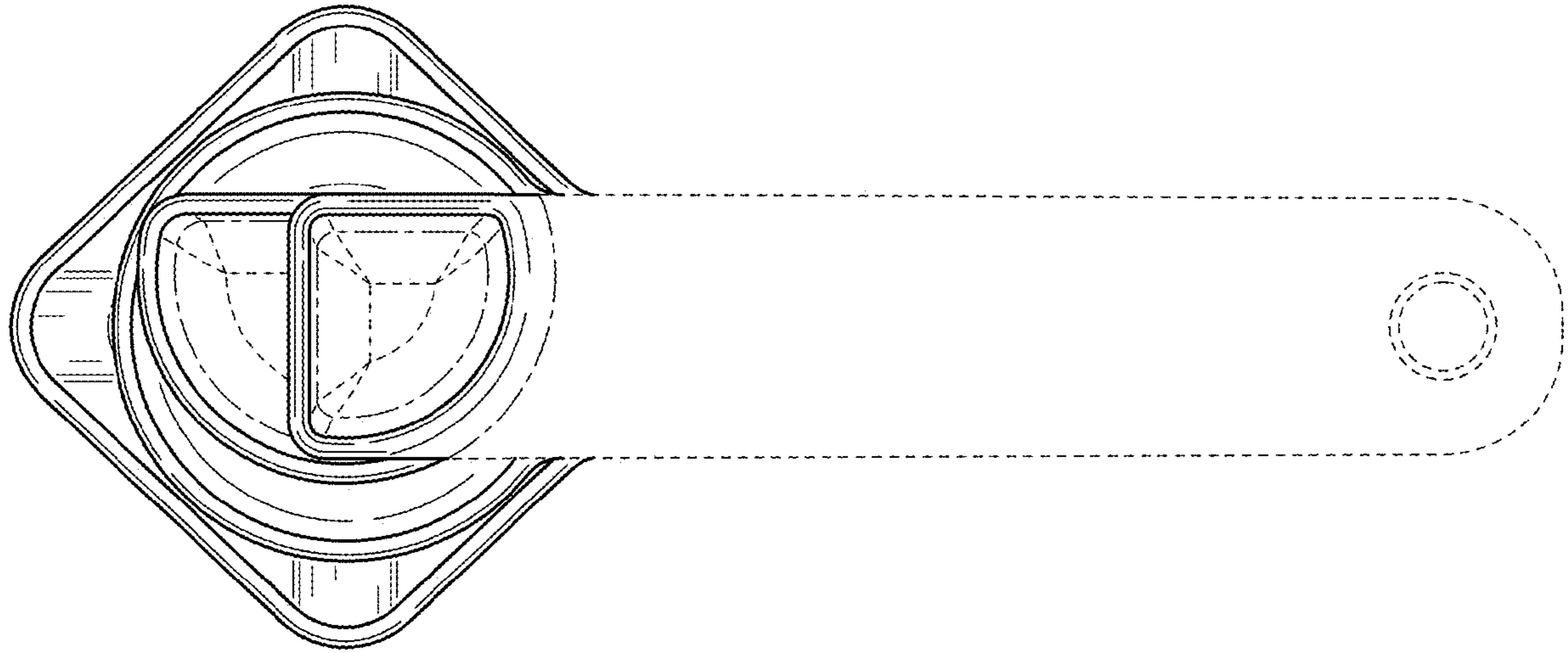


FIG. 6

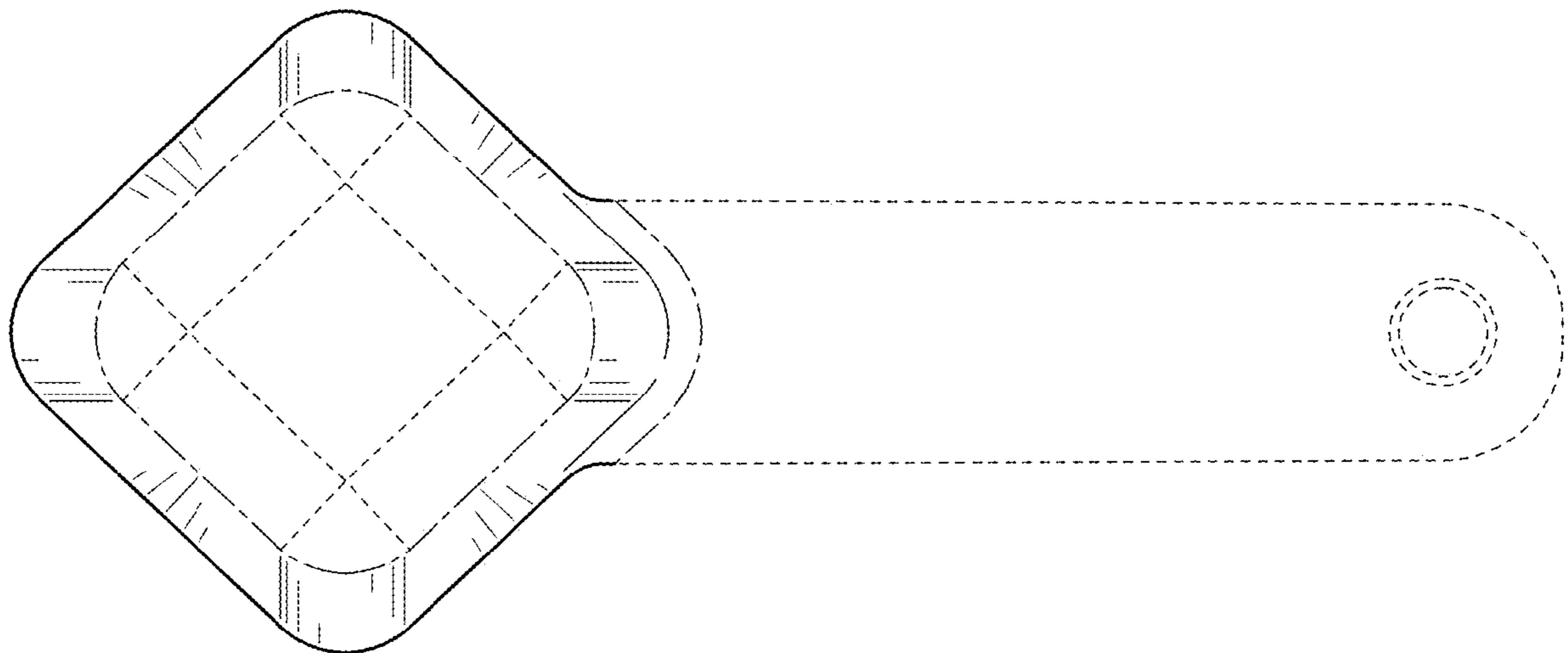


FIG. 7

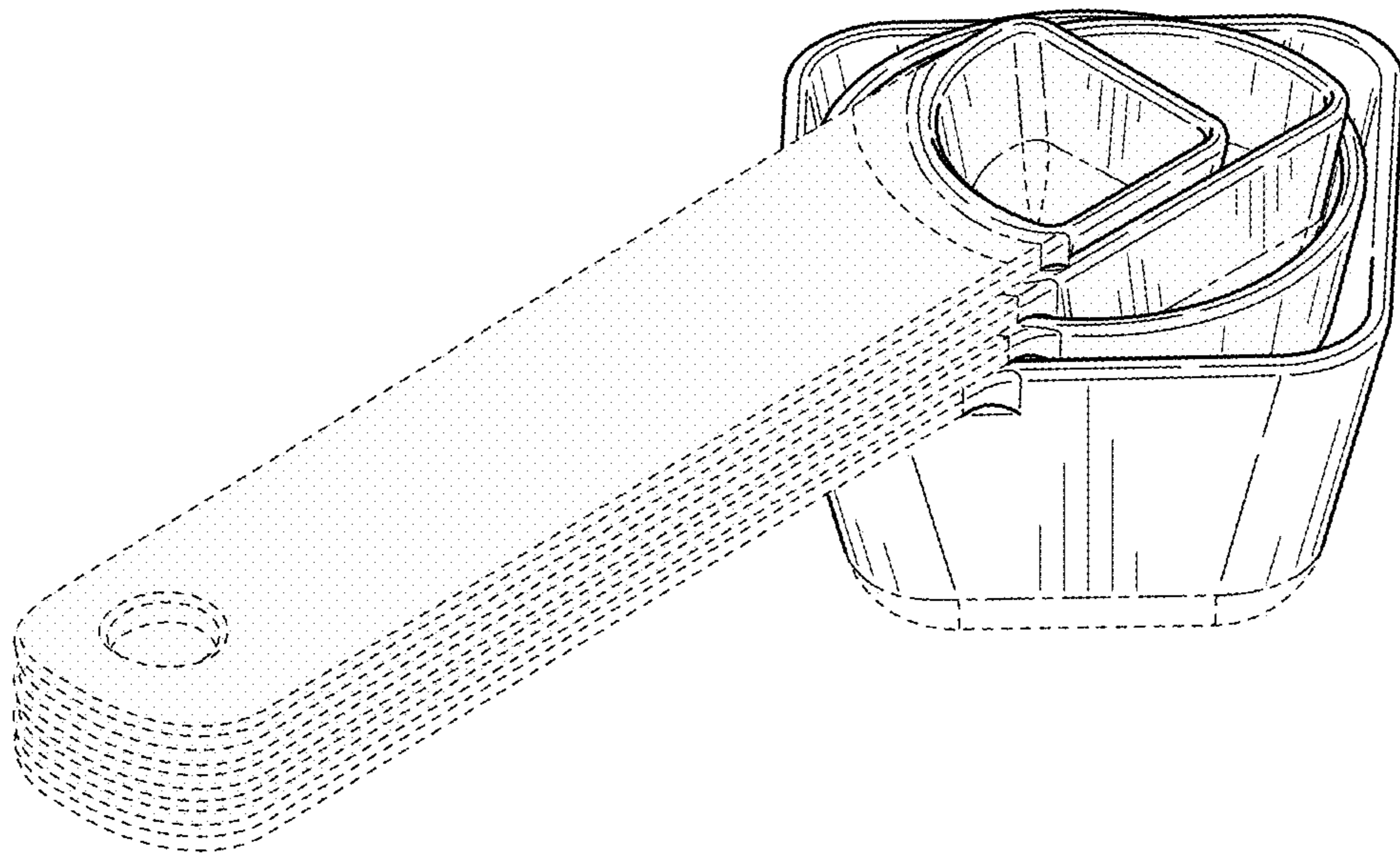


FIG. 8

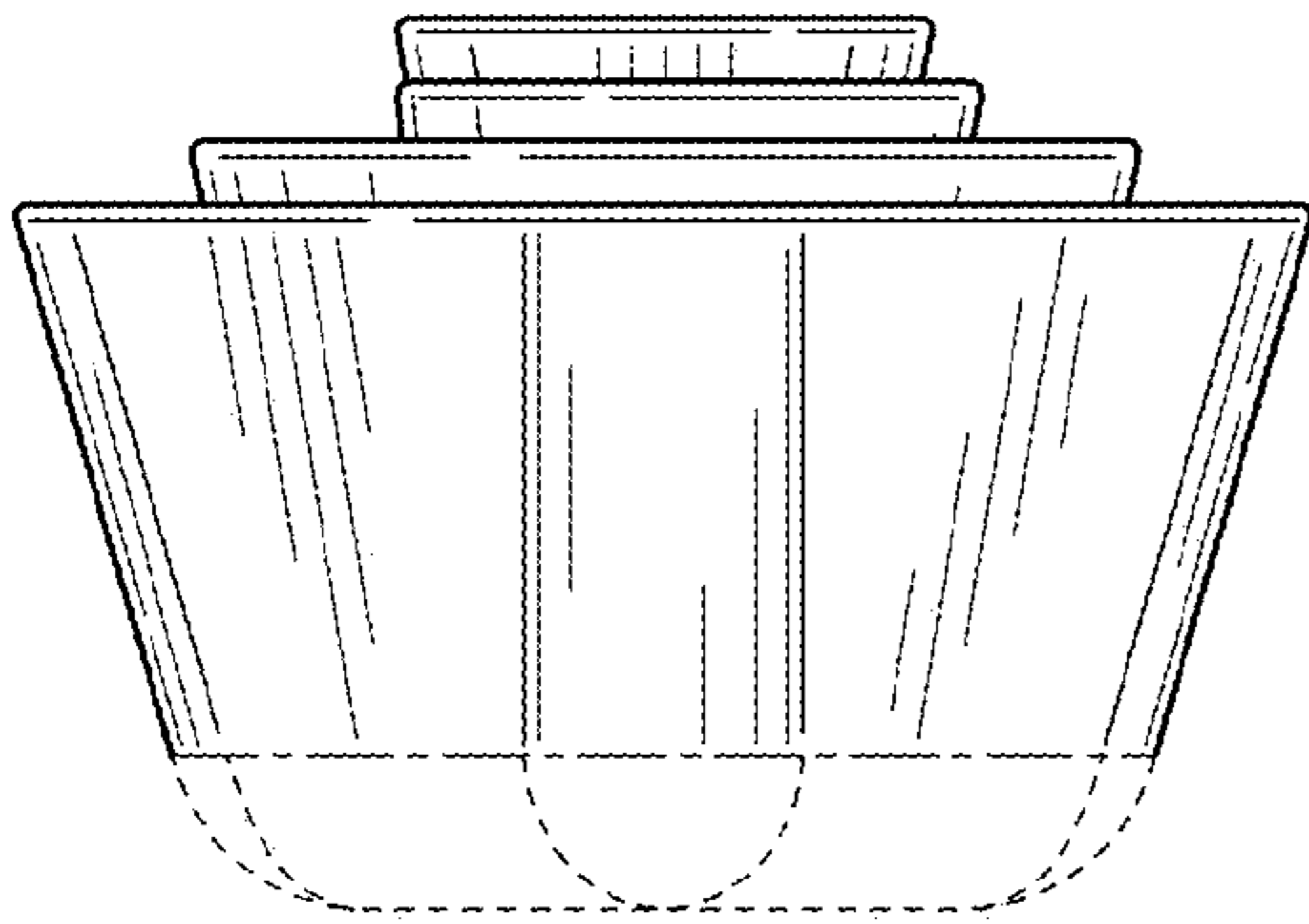


FIG. 9

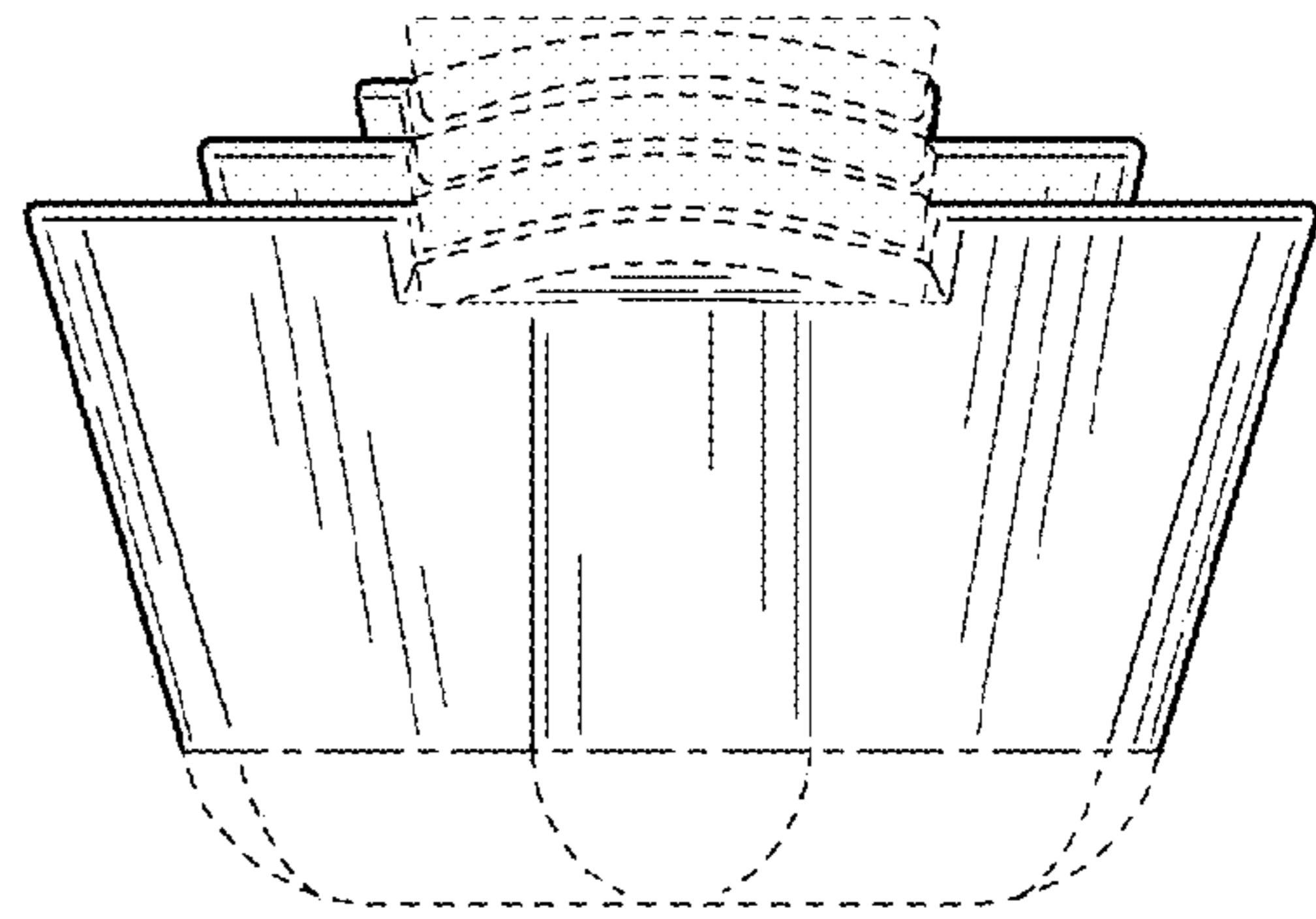


FIG. 10

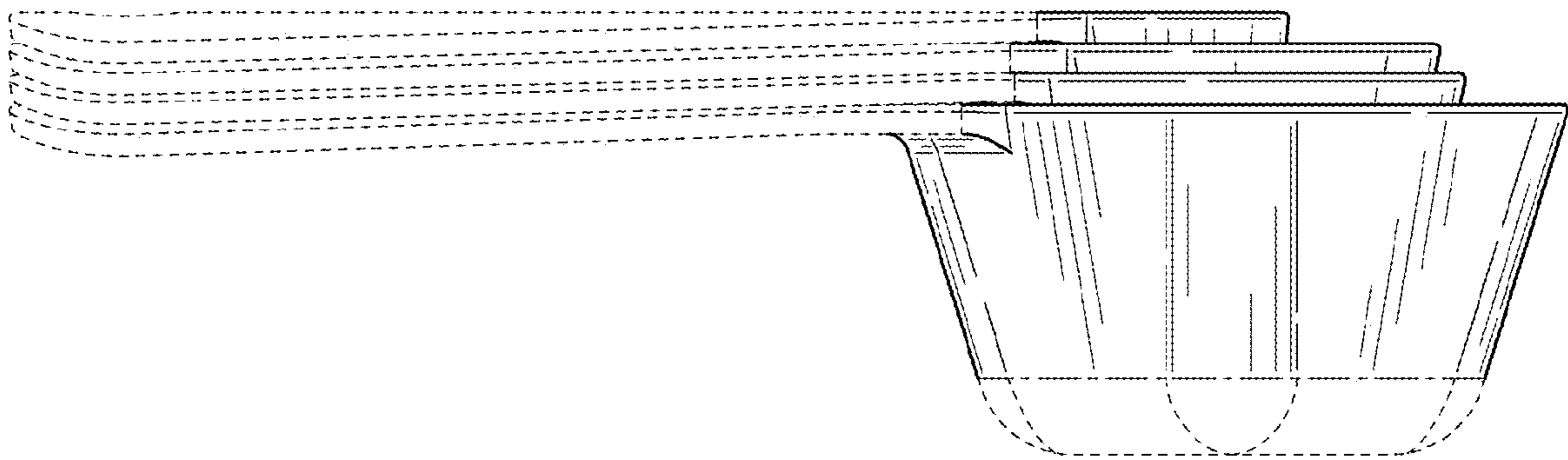


FIG. 11

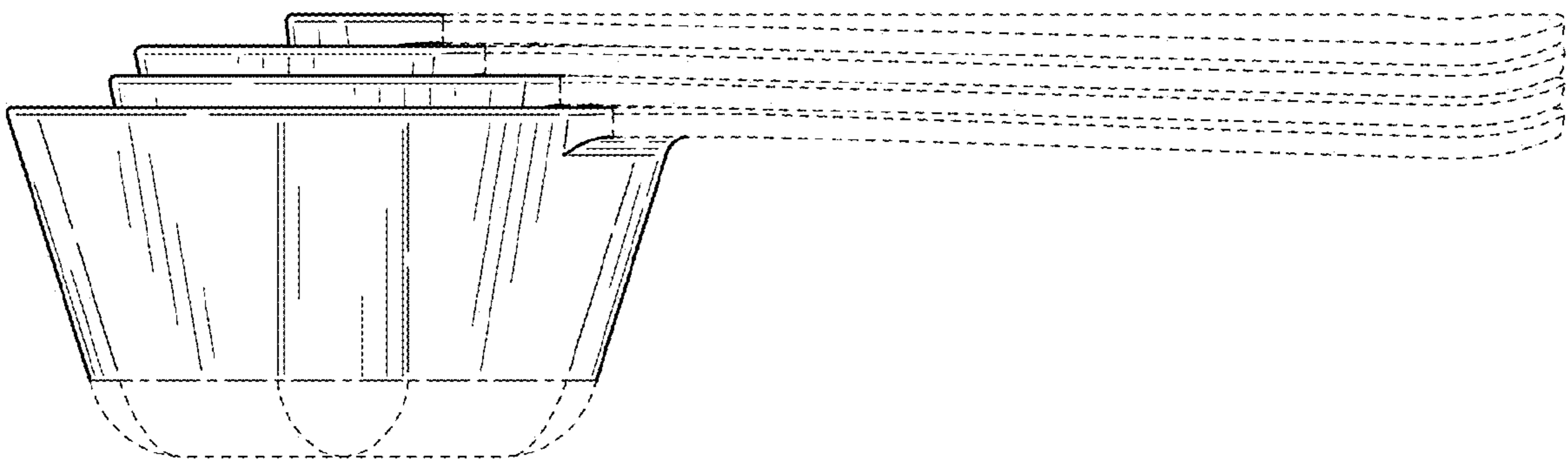


FIG. 12

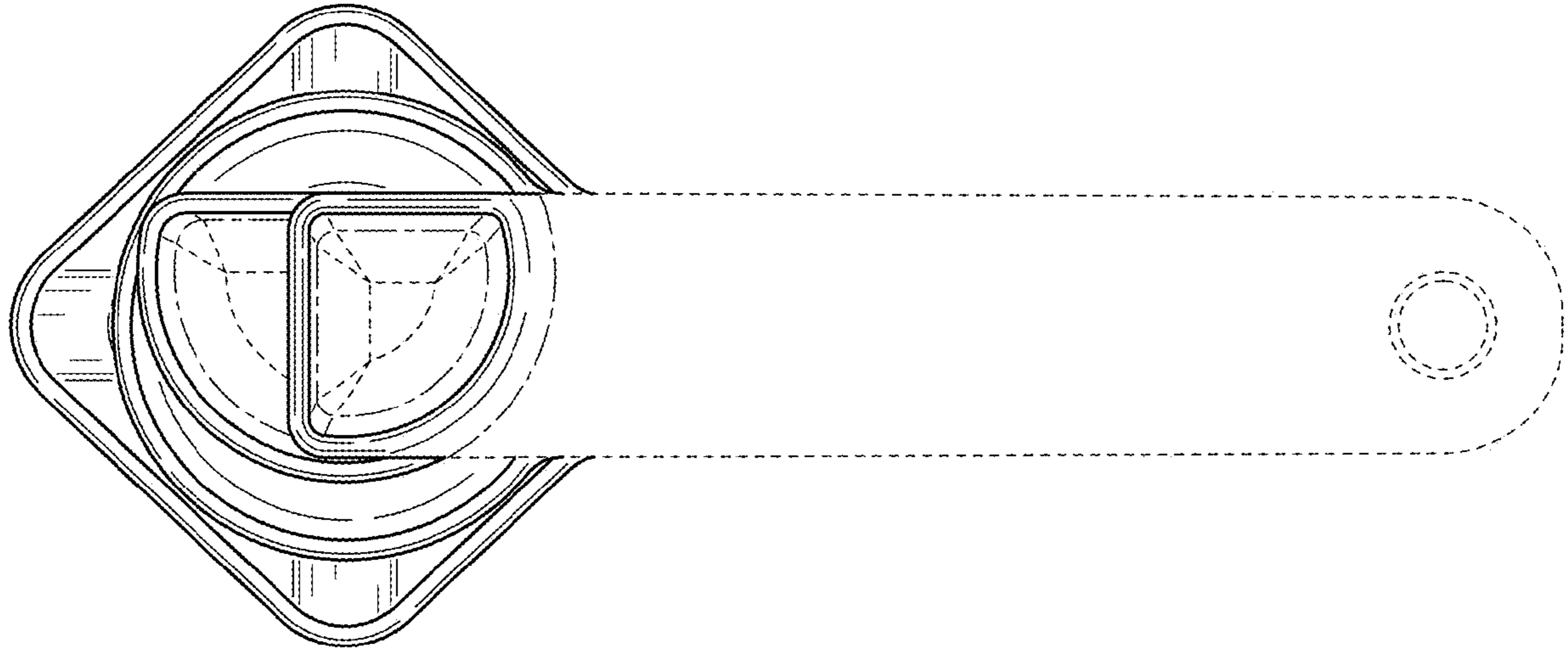


FIG. 13

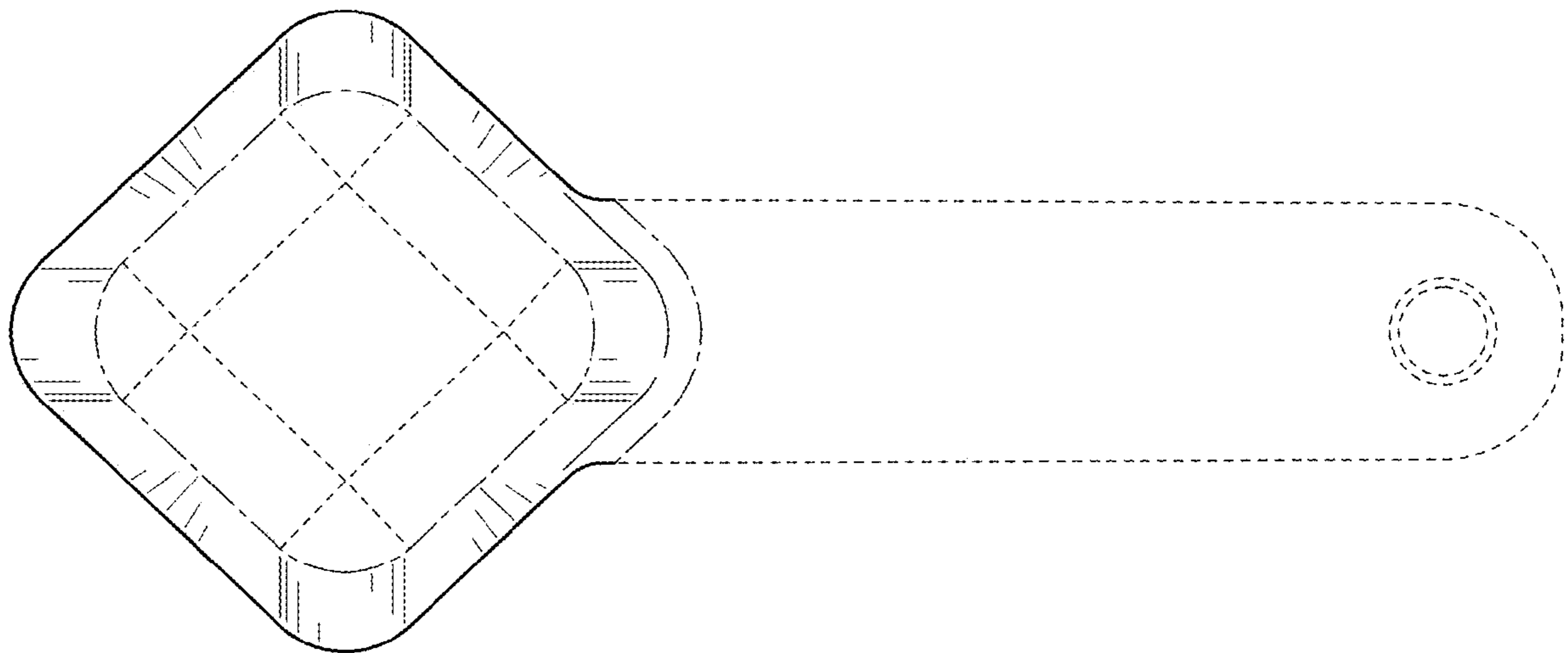


FIG. 14