



US00D985400S

(12) **United States Design Patent**  
**Julian et al.**

(10) **Patent No.:** **US D985,400 S**  
(45) **Date of Patent:** **\*\* May 9, 2023**

(54) **SENSOR ARCH FOR VEHICLE**

FOREIGN PATENT DOCUMENTS

(71) Applicant: **Nuro, Inc.**, Mountain View, CA (US)  
(72) Inventors: **Benjamin Wade Julian**, San Francisco, CA (US); **Daniel Hundt**, San Francisco, CA (US); **Alexander Christ**, San Francisco, CA (US); **Robin Nicholas Hubbard**, Portland, OR (US); **Brian Alan Baker**, San Francisco, CA (US); **Nicholas Barkley**, Mountain View, CA (US); **Bryan Thompson**, Beverly Hills, CA (US)

CN 306092035 S 10/2020  
CN 306235977 S 12/2020  
CN 306358536 S 3/2021

(73) Assignee: **NURO, INC.**, Mountain View, CA (US)

(\*\*) Term: **15 Years**

(21) Appl. No.: **29/805,970**

(22) Filed: **Aug. 31, 2021**

(51) **LOC (14) Cl.** ..... **10-04**

(52) **U.S. Cl.**  
USPC ..... **D10/70; D12/190**

(58) **Field of Classification Search**  
USPC ..... D10/70; D12/190, 197  
CPC .. B60Q 1/0017; B60Q 1/0023; B60Q 1/0029;  
B60Q 1/0035; B60Q 1/0041; B60Q 1/26;  
B60Q 1/2603; B60Q 1/2607; B60Q  
1/2611; B60Q 9/002; B60Q 9/003; B60Q  
9/004; B60Q 9/006; B60Q 9/007; B60Q  
9/008; B60R 1/10; B60R 1/12; B60R  
2001/1284; G05D 1/0055; G05D 1/021;  
G05D 1/0212; G05D 1/0016; G05D  
1/0088; G05D 1/02; G05D 2201/0212;  
B60K 37/06; B60K

(Continued)

(56) **References Cited**

U.S. PATENT DOCUMENTS

D47,911 S 9/1916 Marsh  
D95,718 S 5/1935 Voigt

(Continued)

OTHER PUBLICATIONS

Nuro Vehicle at Proving Grounds, Published on Jan. 30, 2018 [online]. [retrieved on May 14, 2021]. Retrieved from the Internet: <https://www.youtube.com/watch?v=wsl7N7hhZTg&t=53s> (Year: 2018), 3 pages.

*Primary Examiner* — Antoine Duval Davis

(74) *Attorney, Agent, or Firm* — Edell, Shapiro & Finnan, LLC

(57) **CLAIM**

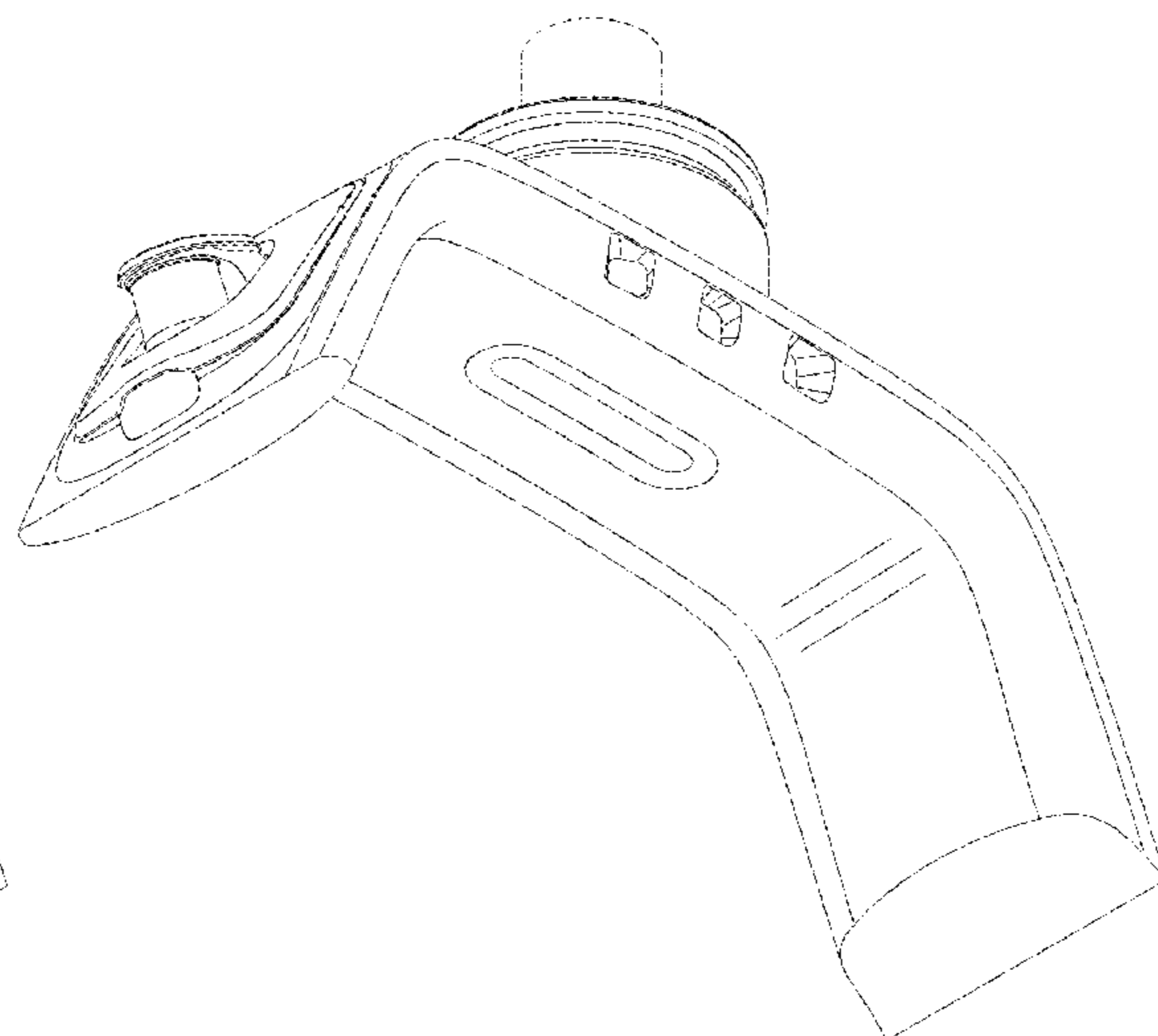
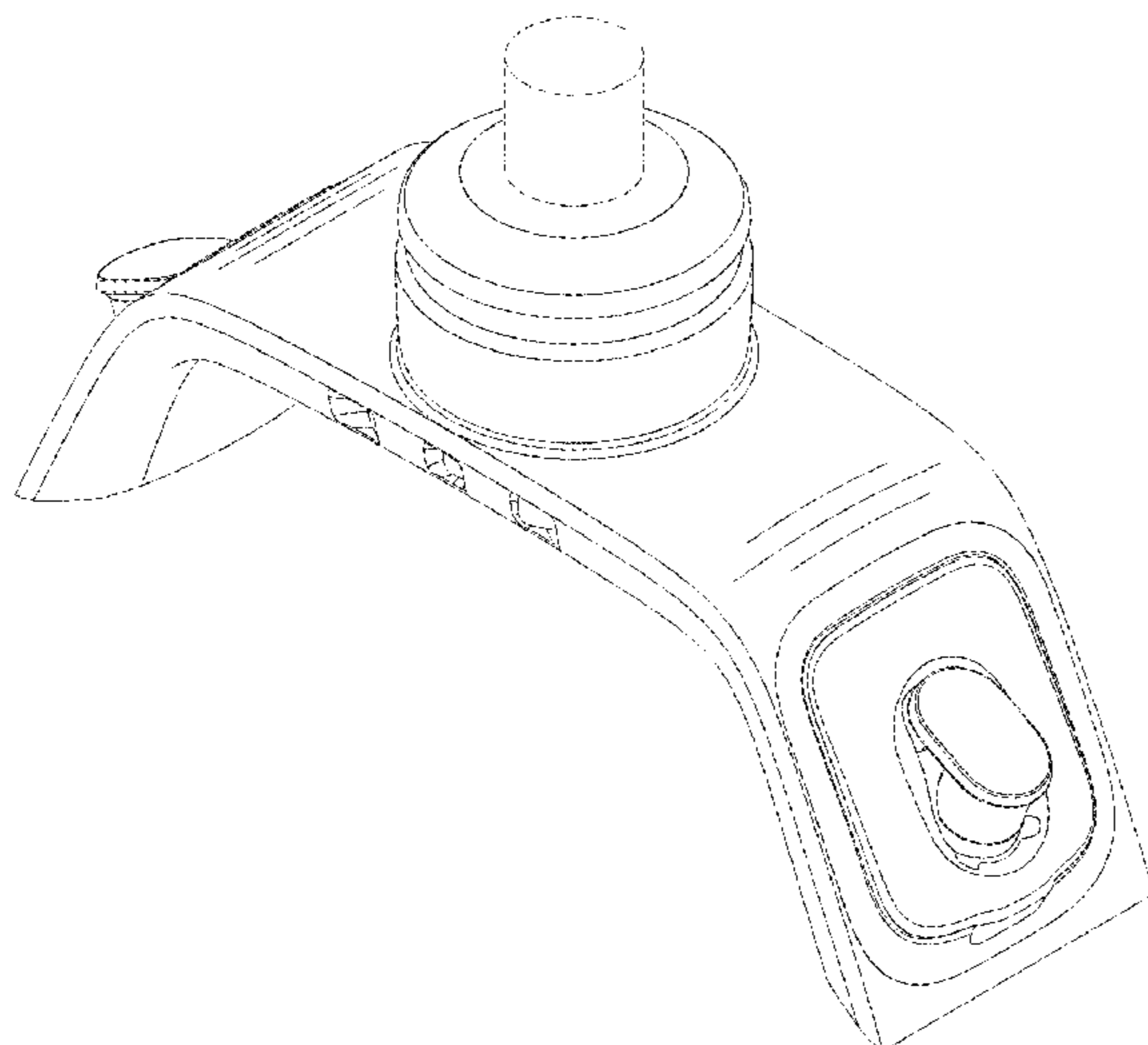
The ornamental design for a sensor arch for vehicle, as shown and described.

**DESCRIPTION**

FIG. 1 is a front perspective view of an sensor arch for vehicle, according to an example embodiment;  
FIG. 2 is a rear perspective view of the sensor arch for vehicle of FIG. 1;  
FIG. 3 is a front view of the sensor arch for vehicle of FIG. 1;  
FIG. 4 is a rear view of the sensor arch for vehicle of FIG. 1;  
FIG. 5 is a first side view of the sensor arch for vehicle of FIG. 1;  
FIG. 6 is a second side view of sensor arch for vehicle of FIG. 1;  
FIG. 7 is a top view of the sensor arch for vehicle of FIG. 1; and,  
FIG. 8 is a bottom view of the sensor arch for vehicle of FIG. 1.

Any portions shown using dashed lines are for illustrative purposes only and form no part of the claimed design.

**1 Claim, 5 Drawing Sheets**



(58) **Field of Classification Search**  
 CPC .. 35/00; B60K 28/02; B60K 2370/128; B60K  
 2370/682; B60K 2370/175; B60K  
 2370/12; B60K 2370/122; B60K  
 2370/143; B60W 50/082; B60W 30/06;  
 B60W 2540/215; B62D 15/0285; B60Y  
 2302/05; G08B 25/016  
 See application file for complete search history.

(56) **References Cited**  
 U.S. PATENT DOCUMENTS

D96,860 S 9/1935 Ryan  
 D118,221 S 12/1939 Stevens  
 2,190,227 A 2/1940 Best  
 D126,874 S 4/1941 Plumb  
 D133,076 S 7/1942 Gerich  
 2,390,242 A 1/1943 Dumelin  
 D154,782 S 8/1949 Kiehn  
 2,638,374 A 5/1953 Willson  
 D172,249 S 5/1954 Rivolta  
 D179,549 S 1/1957 Rivolta  
 D184,733 S 3/1959 Hofmeister  
 2,940,416 A 6/1960 Gierke et al.  
 2,967,073 A 1/1961 Gagliaredi  
 3,352,597 A 11/1967 Barenzy et al.  
 D273,098 S 3/1984 Ohhashi  
 D318,031 S 7/1991 Moriarty et al.  
 D350,503 S 9/1994 Yang  
 D373,330 S 9/1996 Halajko  
 D378,995 S 4/1997 Lui  
 D389,784 S 1/1998 Ishikawa  
 D447,191 S 8/2001 Hoelzel et al.  
 D457,468 S 5/2002 Jenkins et al.  
 D459,764 S 7/2002 Hoelzel et al.  
 D460,930 S 7/2002 Fujita  
 D504,707 S 5/2005 Gieson et al.  
 D560,554 S 1/2008 Aubé et al.  
 D563,831 S 3/2008 Suge et al.  
 D565,464 S 4/2008 Falasca  
 D588,500 S 3/2009 Howell et al.  
 D615,905 S 5/2010 Arnell  
 D626,453 S 11/2010 Arnell

D671,452 S 11/2012 Fernandez Isoird  
 D734,211 S 7/2015 Ahn et al.  
 D755,673 S 5/2016 Ahn et al.  
 D774,948 S 12/2016 Abbes  
 D786,133 S 5/2017 Song et al.  
 D800,017 S 10/2017 Sapet  
 D805,443 S 12/2017 Coates et al.  
 D811,268 S 2/2018 Marioni  
 D818,880 S 5/2018 Bischoff et al.  
 D832,742 S 11/2018 Fisker  
 D835,000 S 12/2018 Fomasson et al.  
 D836,026 S 12/2018 Renner  
 D839,784 S 2/2019 Sugawara et al.  
 D845,171 S 4/2019 Kang  
 D846,446 S 4/2019 Kang  
 D847,022 S 4/2019 Kang  
 D851,508 S \* 6/2019 D'Eramo ..... B64C 39/022  
 D10/70  
 D853,888 S 7/2019 Waters et al.  
 D856,192 S 8/2019 Yamada et al.  
 D858,356 S 9/2019 Sapet  
 D860,862 S 9/2019 Janin  
 D866,368 S \* 11/2019 Ahn ..... D10/70  
 D882,430 S \* 4/2020 Haban ..... D10/70  
 10,623,734 B1 4/2020 Shen et al.  
 D890,027 S 7/2020 Gronenthal et al.  
 10,773,800 B2 \* 9/2020 Buyse ..... B64C 39/022  
 D902,756 S \* 11/2020 Gross ..... D10/70  
 D904,930 S 12/2020 Missoni et al.  
 10,960,744 B1 3/2021 Earl et al.  
 D915,913 S \* 4/2021 Ahn ..... D10/70  
 D931,126 S \* 9/2021 Jones, II ..... D10/70  
 D950,404 S \* 5/2022 Ahn ..... D10/70  
 D957,969 S \* 7/2022 Ahn ..... G01S 7/4813  
 D10/70  
 D968,981 S \* 11/2022 Gross ..... D10/70  
 D976,719 S \* 1/2023 Ahn ..... D10/70  
 2013/0180788 A1 7/2013 Jin et al.  
 2016/0207418 A1 7/2016 Bergstrom et al.  
 2019/0026886 A1 1/2019 Ferguson et al.  
 2019/0035282 A1 1/2019 Ferguson et al.  
 2021/0094376 A1 4/2021 Smith  
 2021/0094506 A1 4/2021 Baker et al.  
 2021/0094589 A1 4/2021 Sarett et al.

\* cited by examiner

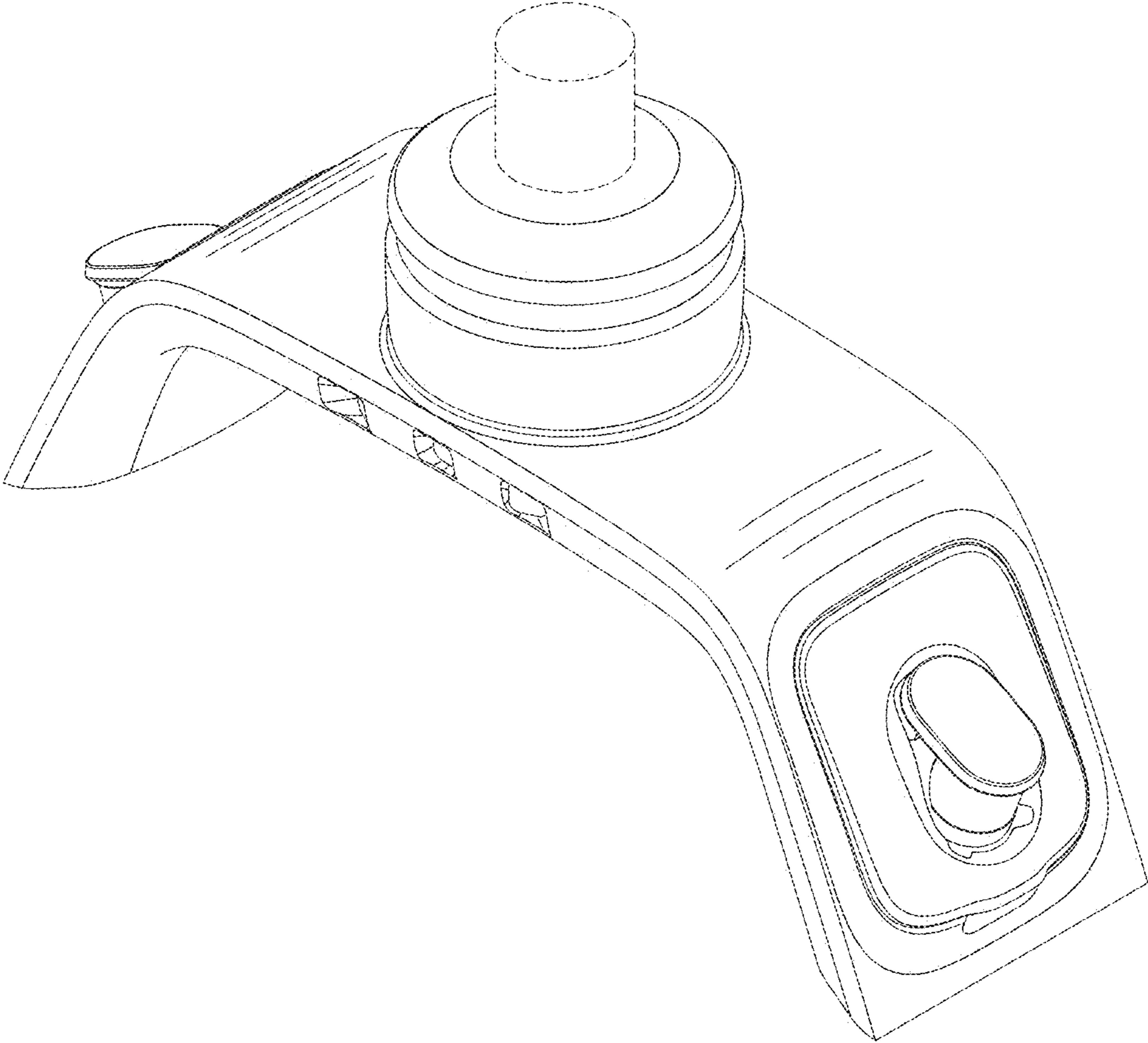


FIG.1



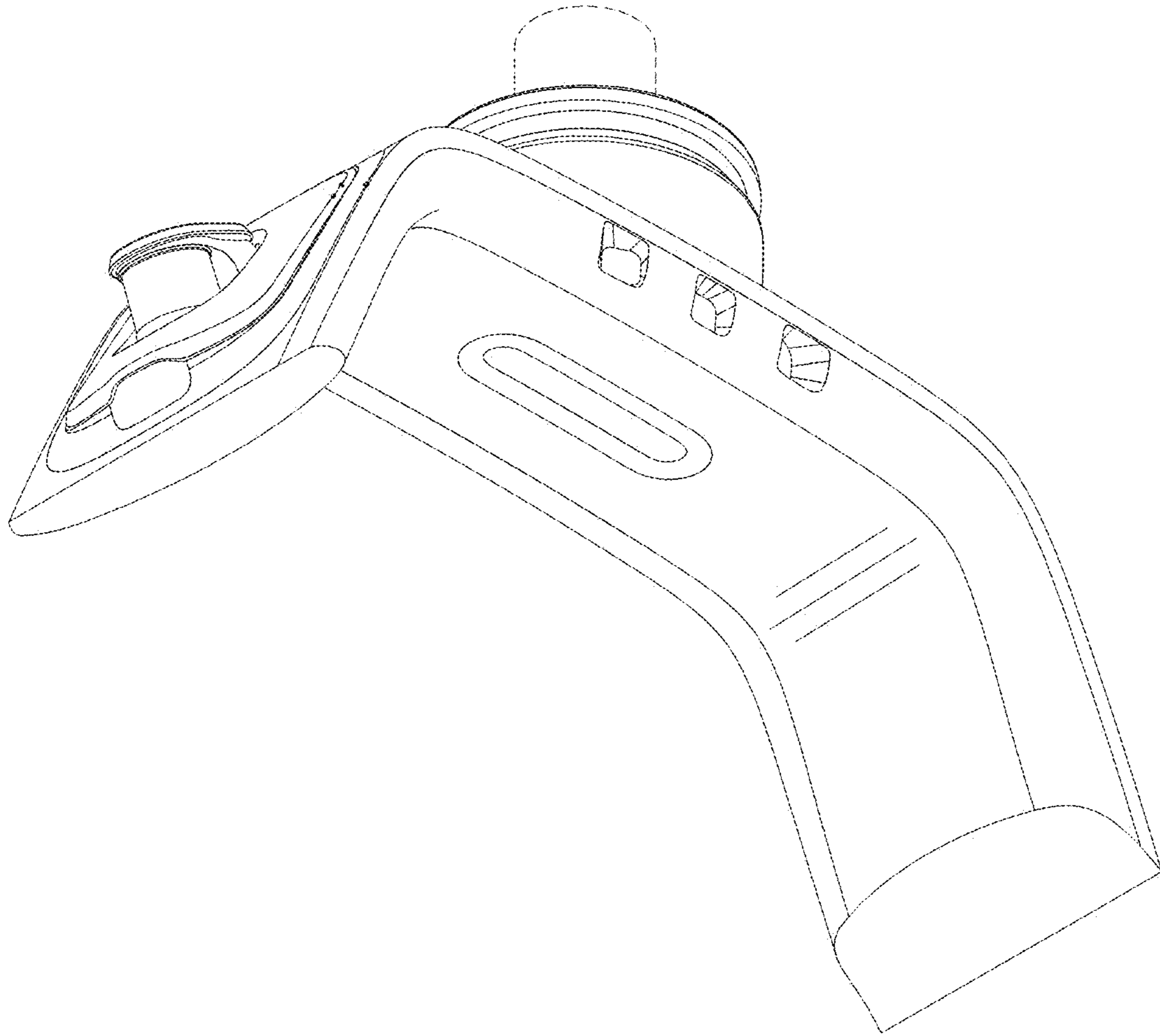


FIG.2

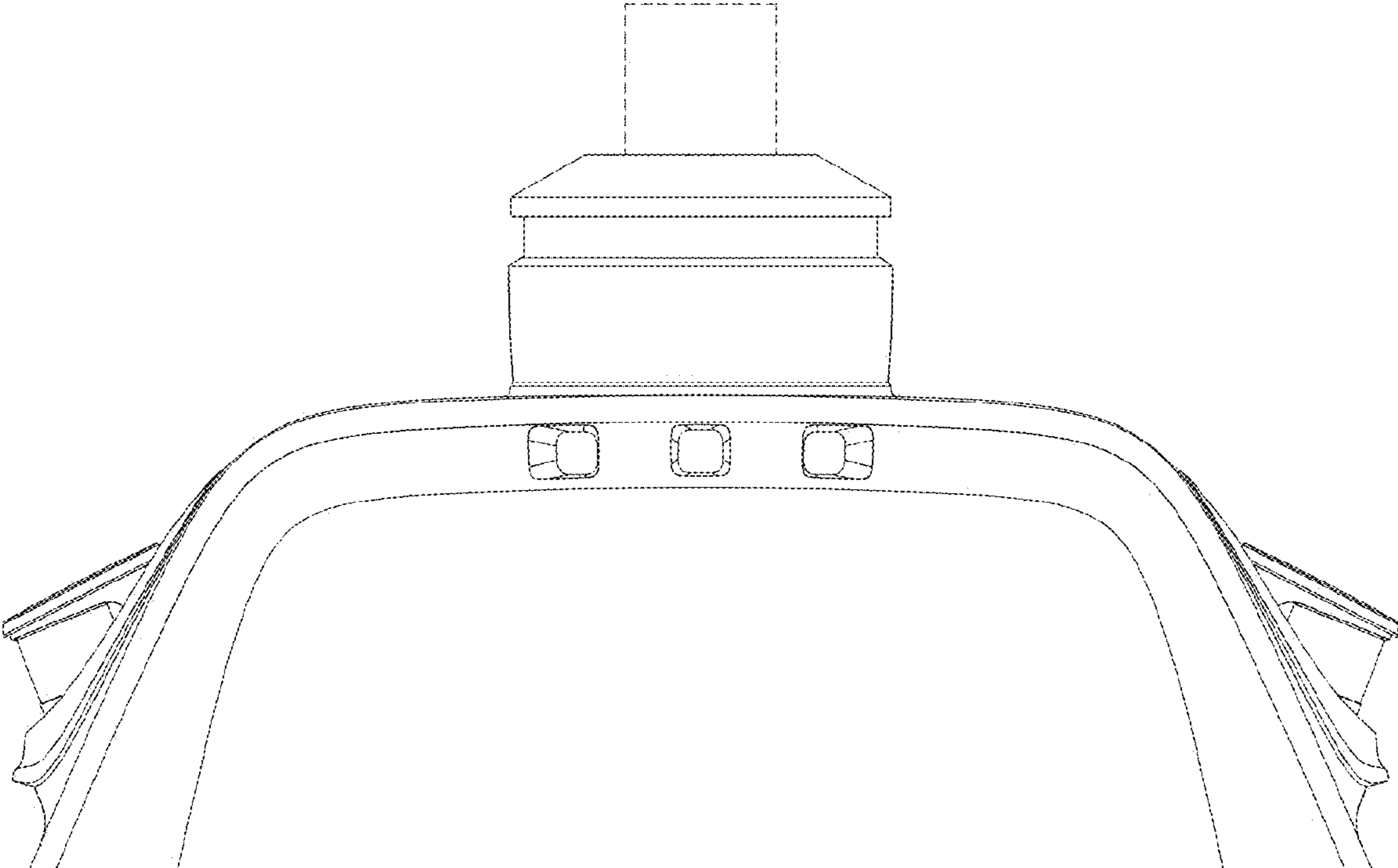


FIG.3

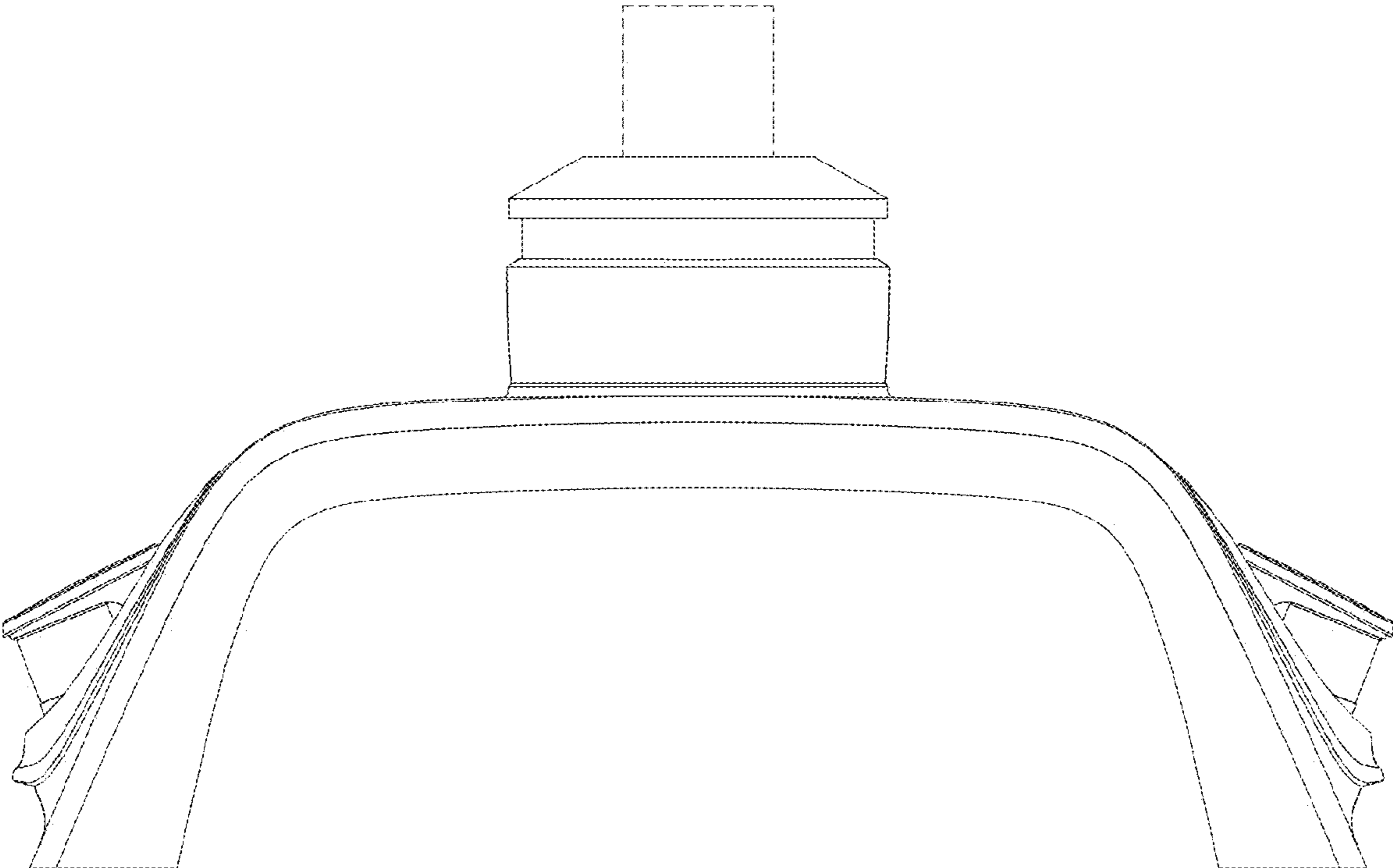


FIG.4

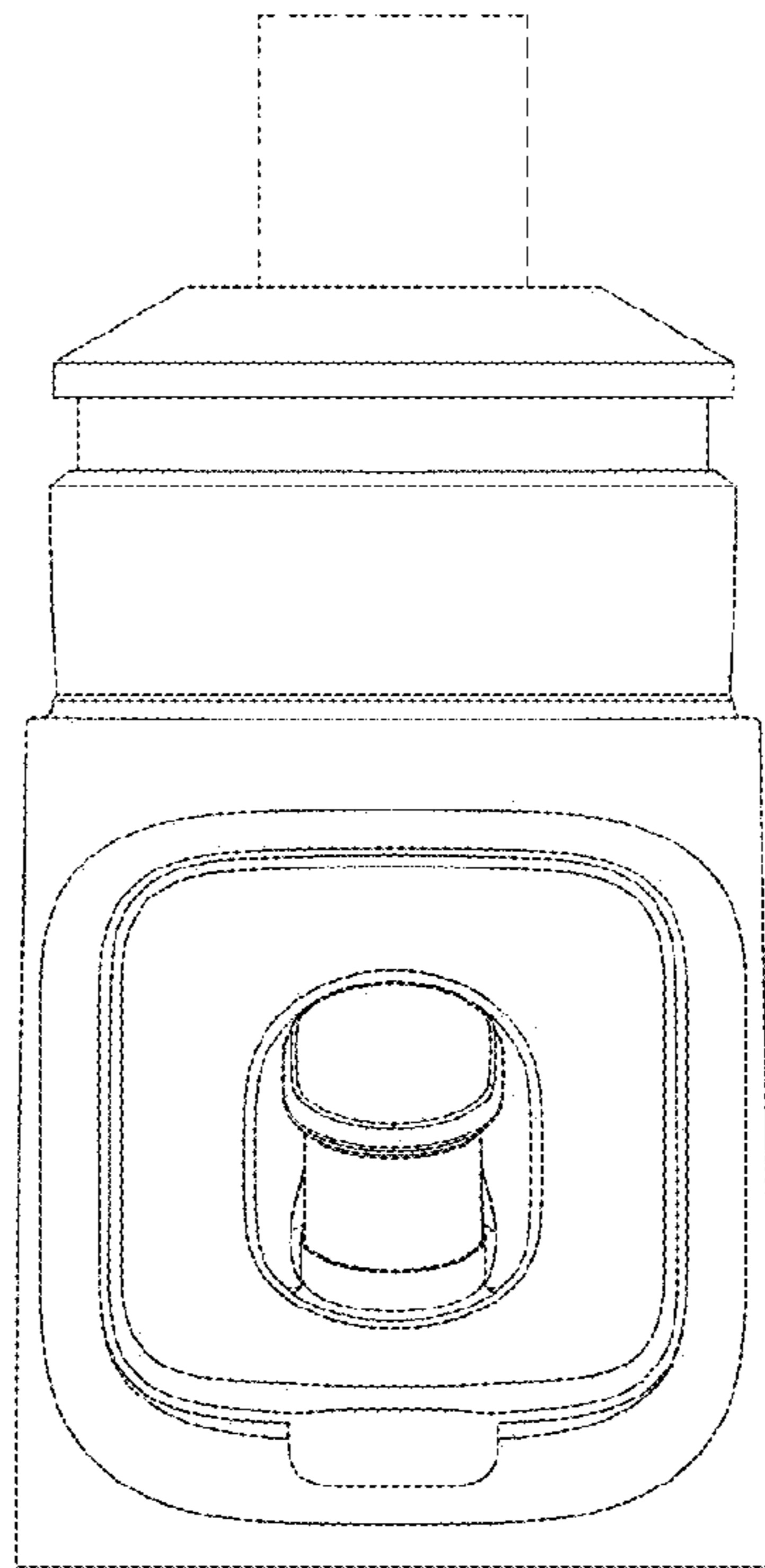


FIG.5

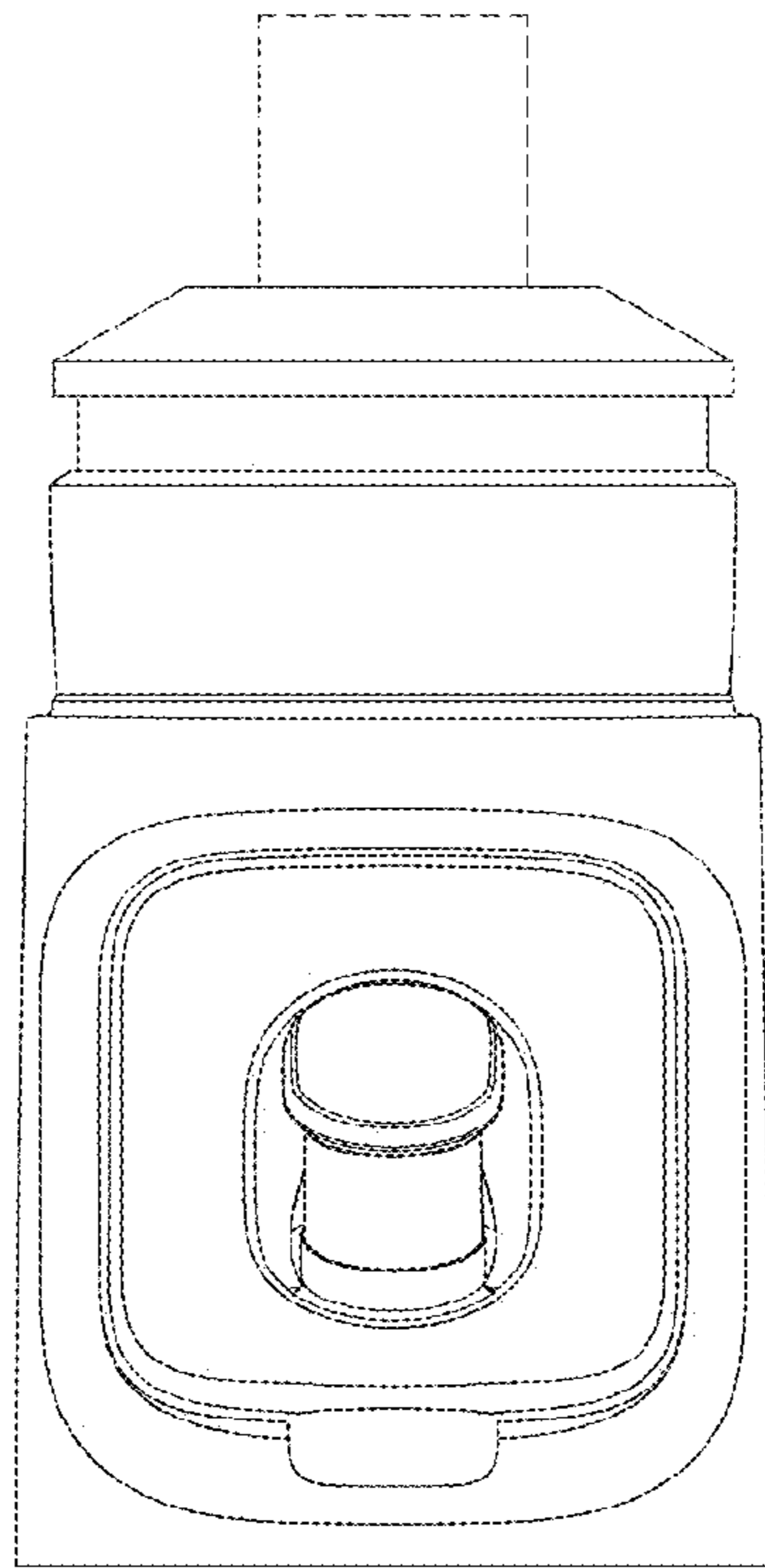


FIG.6

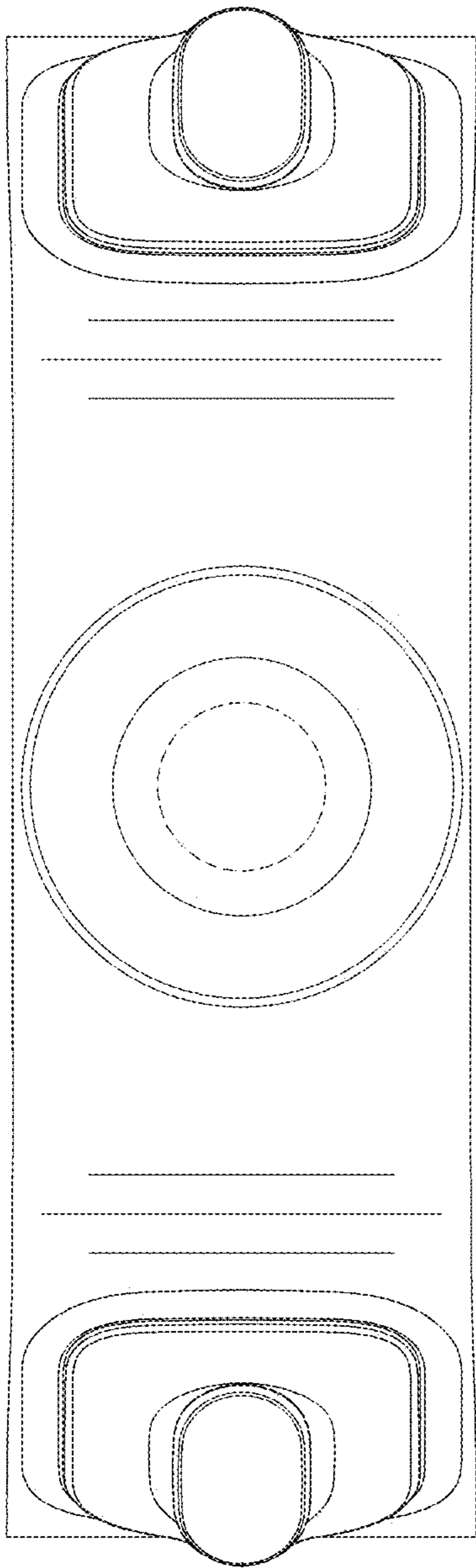


FIG. 7

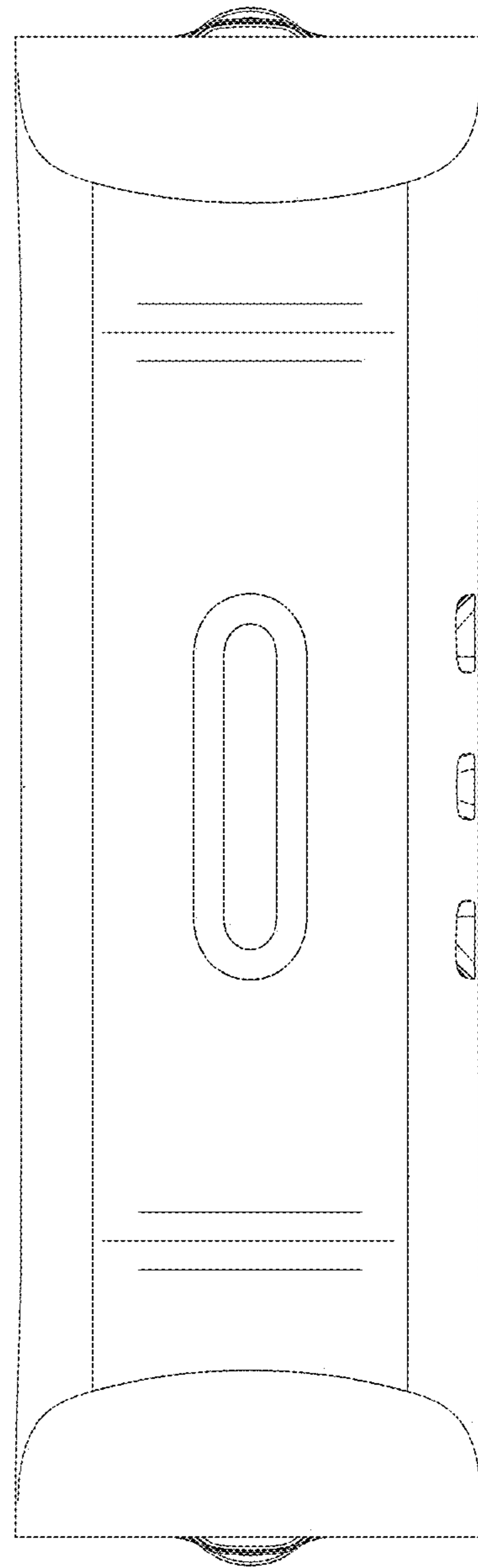


FIG. 8