



US00D985394S

(12) **United States Design Patent** (10) **Patent No.:** **US D985,394 S**
Beckerman et al. (45) **Date of Patent:** **** May 9, 2023**

(54) **CONTAINER**

(71) Applicant: **Colgate-Palmolive Company**, New York, NY (US)

(72) Inventors: **Scott Beckerman**, South Orange, NJ (US); **Renee Marie Riethmiller**, Larchmont, NY (US)

(73) Assignee: **Colgate-Palmolive Company**, New York, NY (US)

(**) Term: **15 Years**

(21) Appl. No.: **29/773,169**

(22) Filed: **Mar. 8, 2021**

(51) **LOC (14) Cl.** **09-01**

(52) **U.S. Cl.**
USPC **D9/529**

(58) **Field of Classification Search**
USPC D9/434-435, 439, 447, 449, 450, D9/452-454, 516, 523, 524, 528-531, D9/541-544, 549-551, 556, 558-560, D9/563, 565, 566, 571-575, 682, 686, D9/687, 693, 694, 715, 719, 554; D23/211, 225; D7/300, 300.1, 316, 317, D7/598; D28/76-78
CPC B65D 45/28; B65D 2501/0081; B65D 21/0237; B65D 2501/0009; B65D 1/00; B65D 1/02; B65D 1/12; B65D 1/18; B65D 1/20; B65D 1/0223
See application file for complete search history.

(56) **References Cited**

U.S. PATENT DOCUMENTS

D139,381 S * 11/1944 Harris D9/504
D237,049 S * 10/1975 Ashley D9/529
D263,807 S * 4/1982 Kingsford D9/504
D438,785 S * 3/2001 Baron D9/689
D471,820 S * 3/2003 Faillant-Dumas D9/529
8,006,709 B1 * 8/2011 Ebnayamin A61C 15/043
132/325
D757,564 S * 5/2016 Santos D9/694

D790,973 S * 7/2017 Kern D28/7
D807,182 S * 1/2018 Ruthe-Steinsiek D9/521
D915,890 S * 4/2021 Oates D9/529
2013/0254136 A1 * 9/2013 Ciavarella A61L 9/042
222/190

OTHER PUBLICATIONS

Contradiction for Men 3.4 oz. Eau de Toilette Spray. Online, published date unknown. Retrieved on Aug. 2, 2022 from URL: https://www.amazon.com/Contradiction-Men-3-4-Toilette-Spray/dp/BOB36G8LLQ/ref=sr_1_7?crd=3TU5NAXHRKOV3&keywords=contradiction+calvin&qid=1659464893&prefix=contradiction+calvin%2Caps%2C123&sr=8-7.
Colgate Elixir White Restore Toothpaste 80 ml, Whitening Stain Fighting Technology, Fortifies Enamel, 3 Whitening Materials (1 x 80 ml). Online, published date May 2, 2021. Retrieved on Aug. 2, 2022 from URL: <https://www.amazon.ae/Colgate-Toothpaste-Whitening-Technology-Fortifies/dp/B08ZT7N8VC?th=1>.

* cited by examiner

Primary Examiner — Omeed Agilee

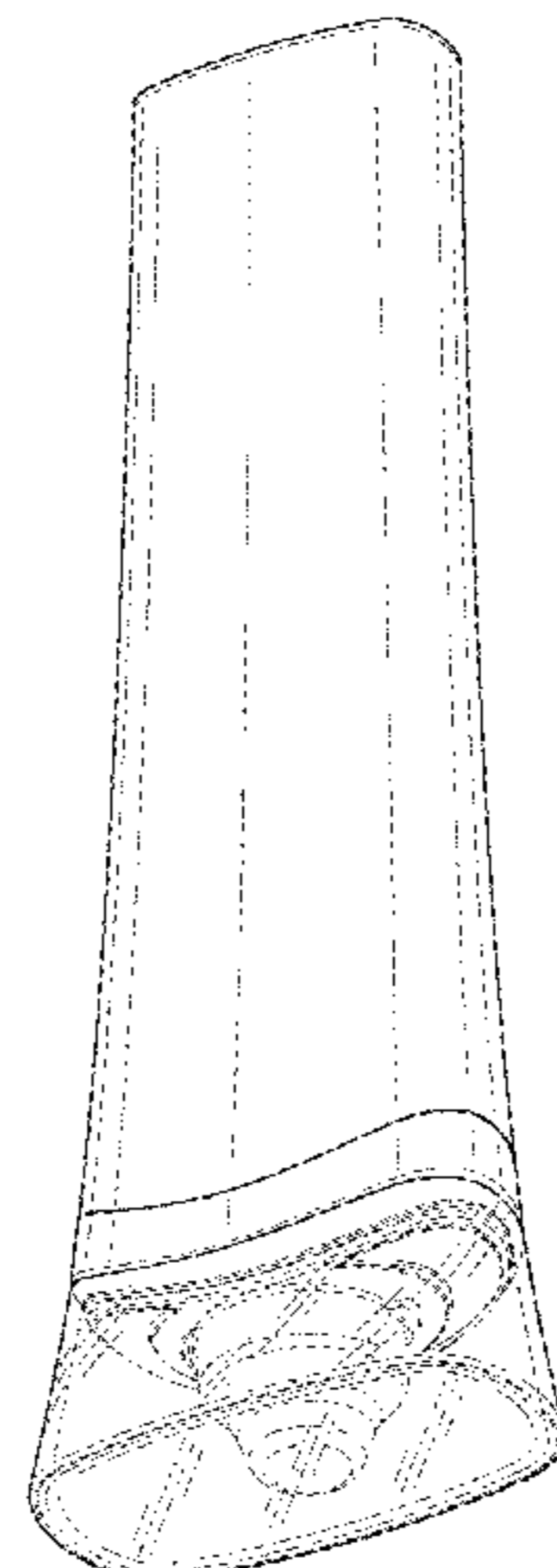
(57) **CLAIM**

The ornamental design for a container, as shown and described.

DESCRIPTION

FIG. 1 is a front perspective view of a container according to the new design;
FIG. 2 is a front view thereof;
FIG. 3 is a rear view thereof;
FIG. 4 is a right side view thereof,
FIG. 5 is a left side view thereof;
FIG. 6 is a bottom view thereof; and,
FIG. 7 is a top view thereof.
The broken lines formed by linear segments of equal length illustrate portions of the container that form no part of the claimed design.

1 Claim, 6 Drawing Sheets



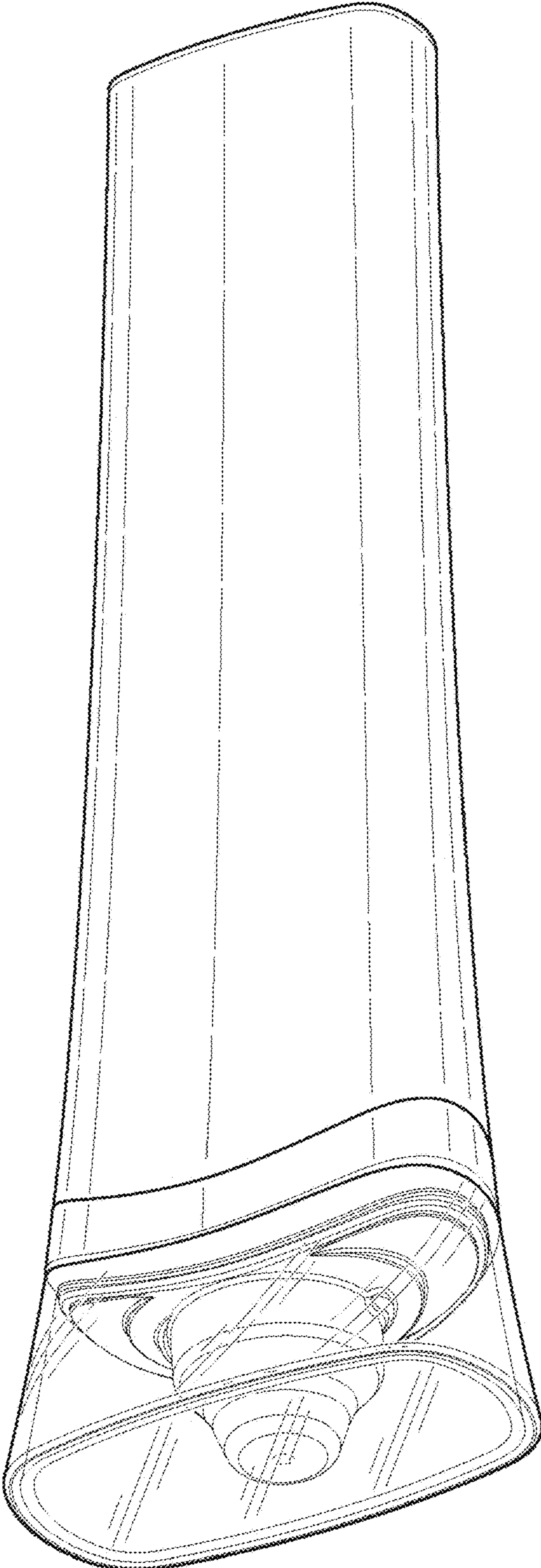


FIG. 1

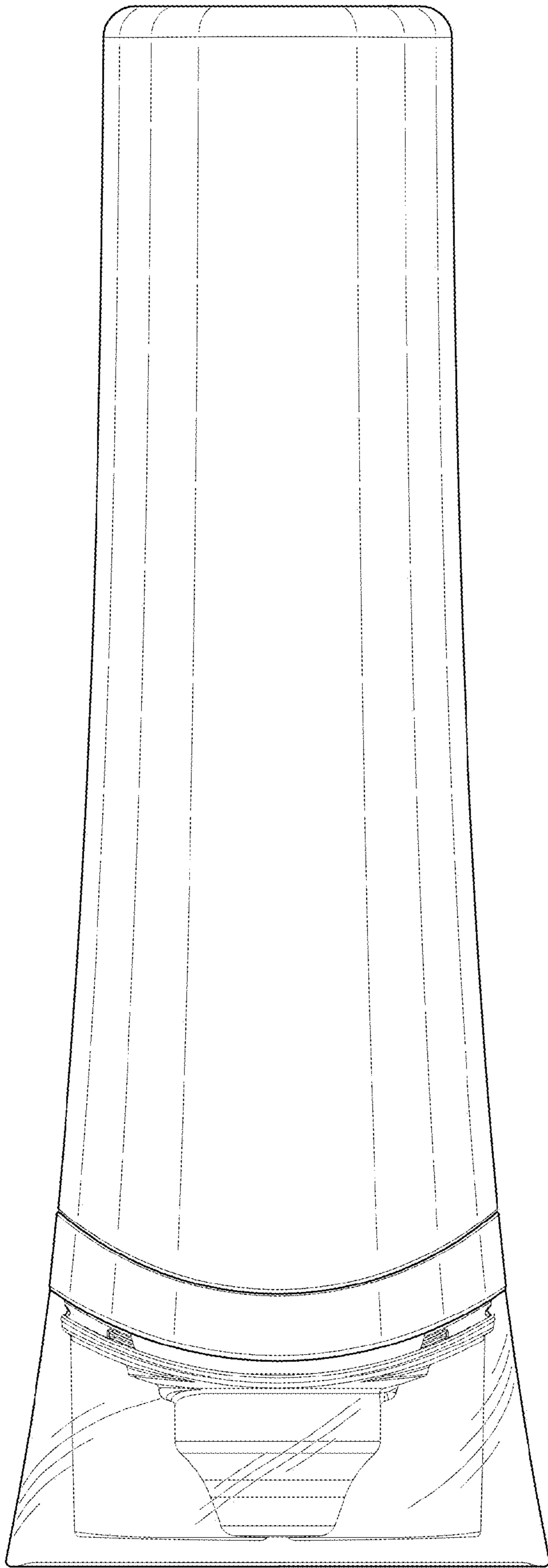


FIG. 2

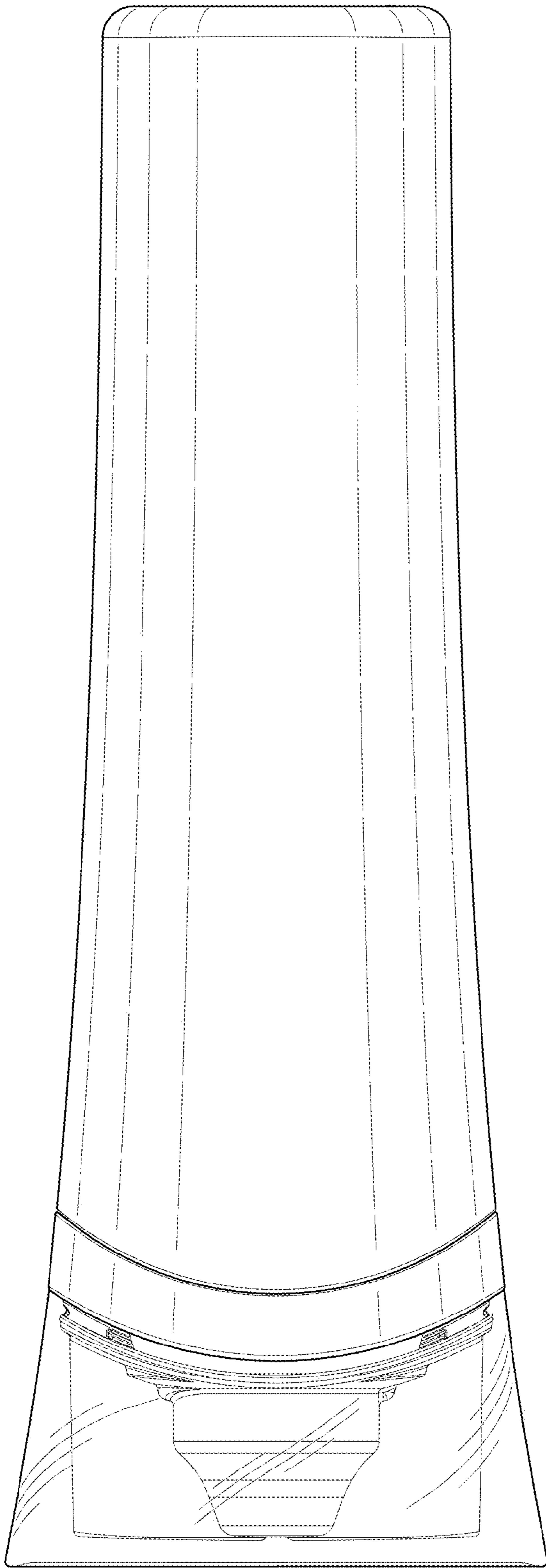


FIG. 3

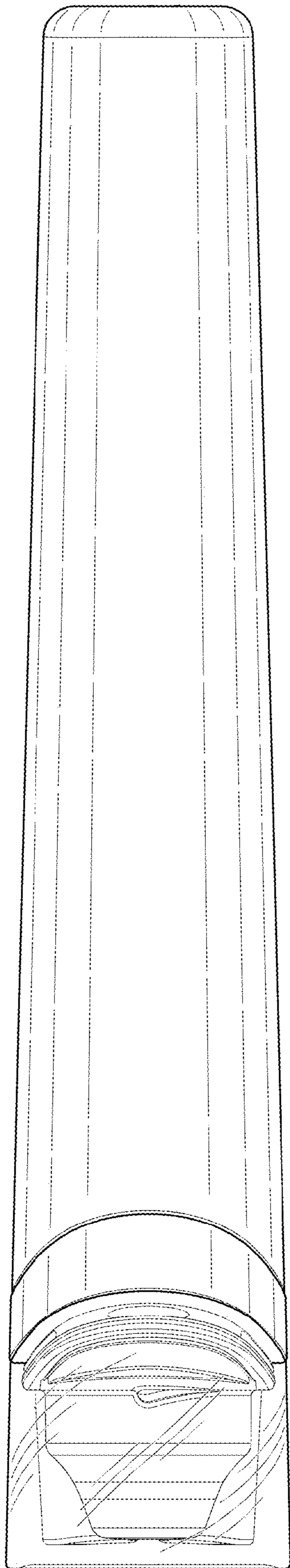


FIG. 4

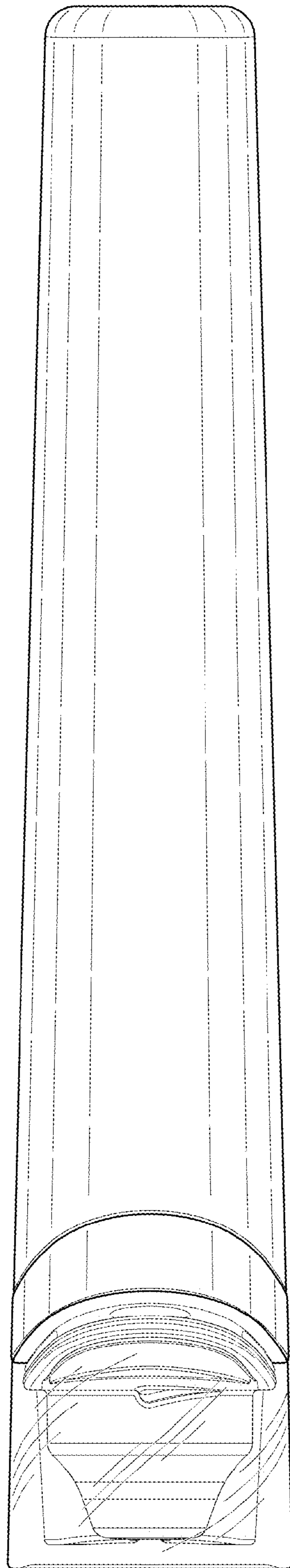


FIG. 5

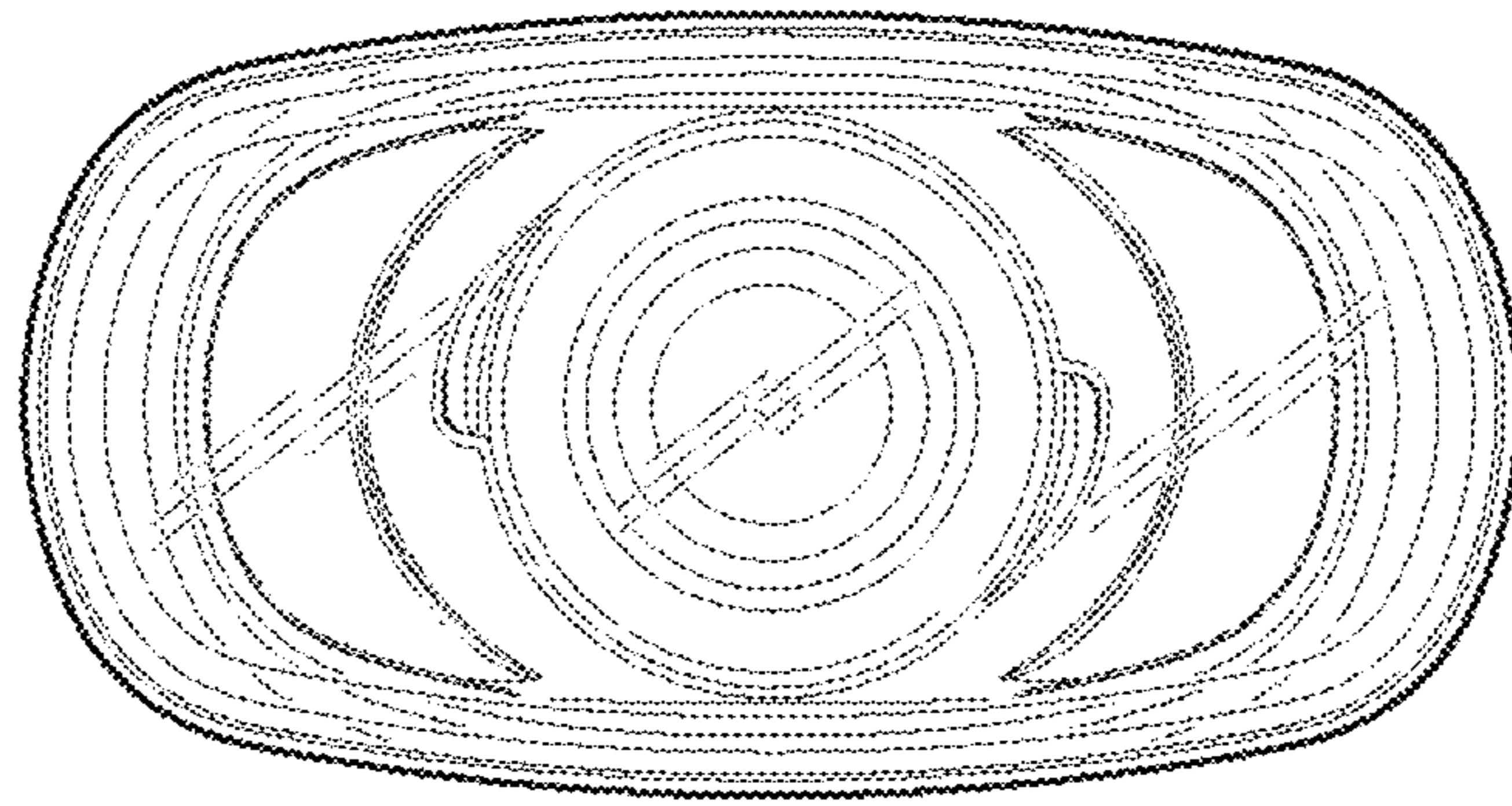


FIG. 6

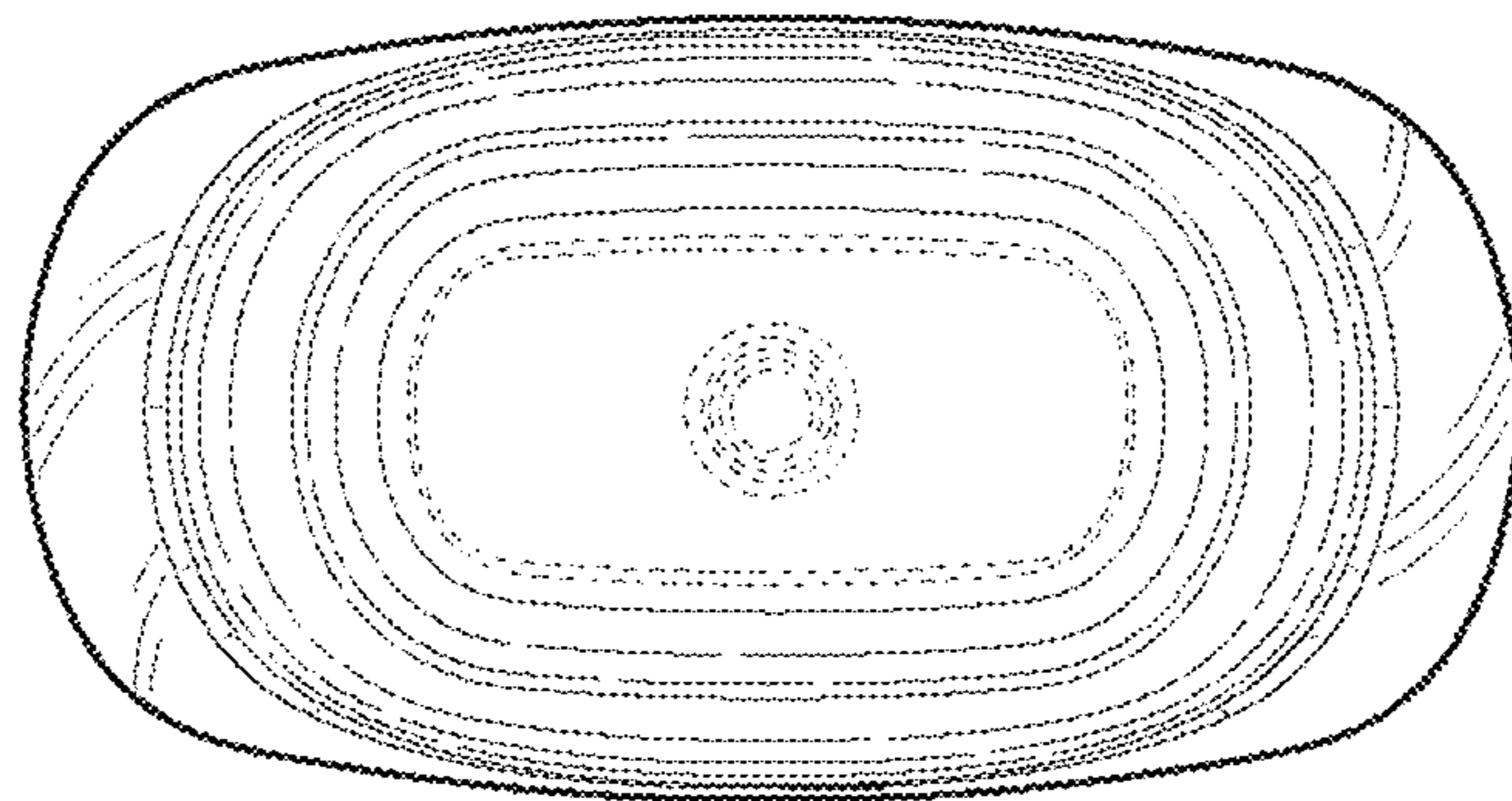


FIG. 7