



US00D985393S

(12) **United States Design Patent** (10) **Patent No.:** **US D985,393 S**
Woodruff et al. (45) **Date of Patent:** **** May 9, 2023**

(54) **CONTAINER**
(71) Applicant: **AMVAC CHEMICAL CORPORATION**, Newport Beach, CA (US)
(72) Inventors: **Keith Woodruff**, Mountainside, NJ (US); **Brian Kaltner**, Fairfield, NJ (US); **Richard L. Rice**, Collierville, TN (US)
(73) Assignee: **AMVAC CHEMICAL CORPORATION**, Newport Beach, CA (US)
(**) Term: **15 Years**
(21) Appl. No.: **29/802,494**
(22) Filed: **Aug. 5, 2021**

D304,552 S * 11/1989 Lippman D9/521
D358,993 S * 6/1995 Hot D9/570
D377,760 S * 2/1997 Hot D9/543
D454,308 S * 3/2002 Scheida D9/523
D536,984 S * 2/2007 Muehlhausen D9/534
D554,510 S * 11/2007 Dorn D9/523
D563,234 S * 3/2008 Moreno D9/572
D569,476 S * 5/2008 Munlin D23/211.1
D605,048 S * 12/2009 Smith, III D9/563
D781,155 S * 3/2017 Hegarty D9/531
D864,740 S * 10/2019 Franco D9/544
D929,870 S * 9/2021 Woodruff D9/524
D968,019 S * 10/2022 Woodruff D27/183

* cited by examiner

Primary Examiner — Janice Patyk

(74) *Attorney, Agent, or Firm* — Lawrence N. Ginsberg

(57) **CLAIM**

The ornamental design for a container, as shown and described.

DESCRIPTION

FIG. 1 is a top, front, left side perspective view of a container, showing our new design;
FIG. 2 is a bottom, front, right side perspective view thereof;
FIG. 3 is a front elevation view thereof;
FIG. 4 is a rear elevation view thereof;
FIG. 5 is a top plan view thereof;
FIG. 6 is a bottom plan view thereof;
FIG. 7 is a left side elevation view thereof; and,
FIG. 8 is a right side elevation view thereof.

The broken lines in the figures illustrate the portions of the design that form no part of the claimed design. The dot-dash broken lines immediately adjacent to the claimed areas in the views represent the boundaries of the design and form no part thereof. None of the broken lines form any part of the claimed design.

Related U.S. Application Data

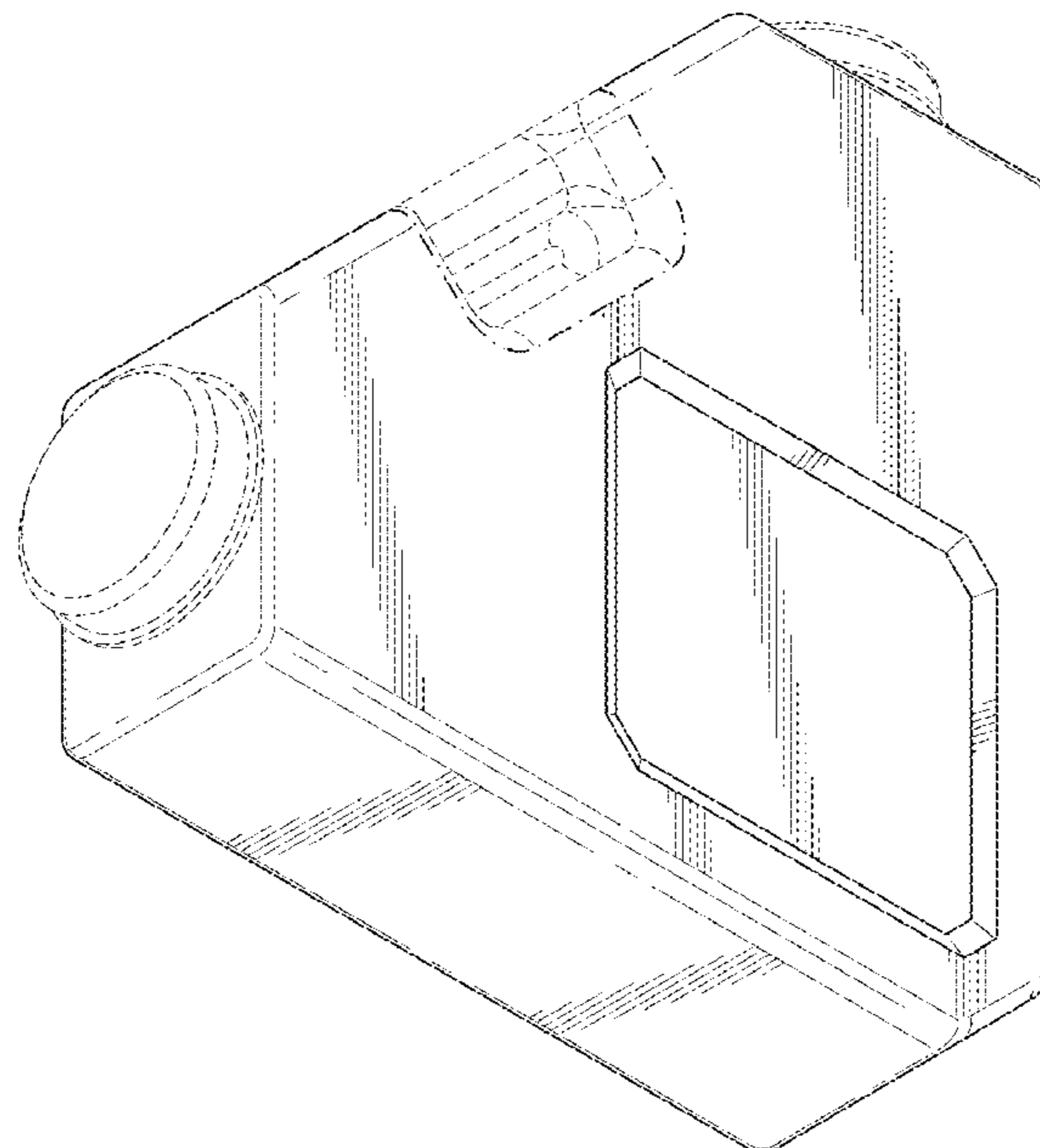
(62) Division of application No. 29/661,219, filed on Aug. 25, 2018, now Pat. No. Des. 929,870.
(51) **LOC (14) Cl.** **09-01**
(52) **U.S. Cl.**
USPC **D9/572**
(58) **Field of Classification Search**
USPC D9/522, 560, 562, 572, 573, 575, 600
CPC B65D 1/02; B65D 1/0223; B65D 1/023;
B65D 1/0261; B65D 2501/0009; B65D
2501/0081; B65D 2501/009
See application file for complete search history.

References Cited

U.S. PATENT DOCUMENTS

D264,127 S * 4/1982 Peterson D9/523
D278,886 S * 5/1985 Kanfer D9/523

1 Claim, 5 Drawing Sheets



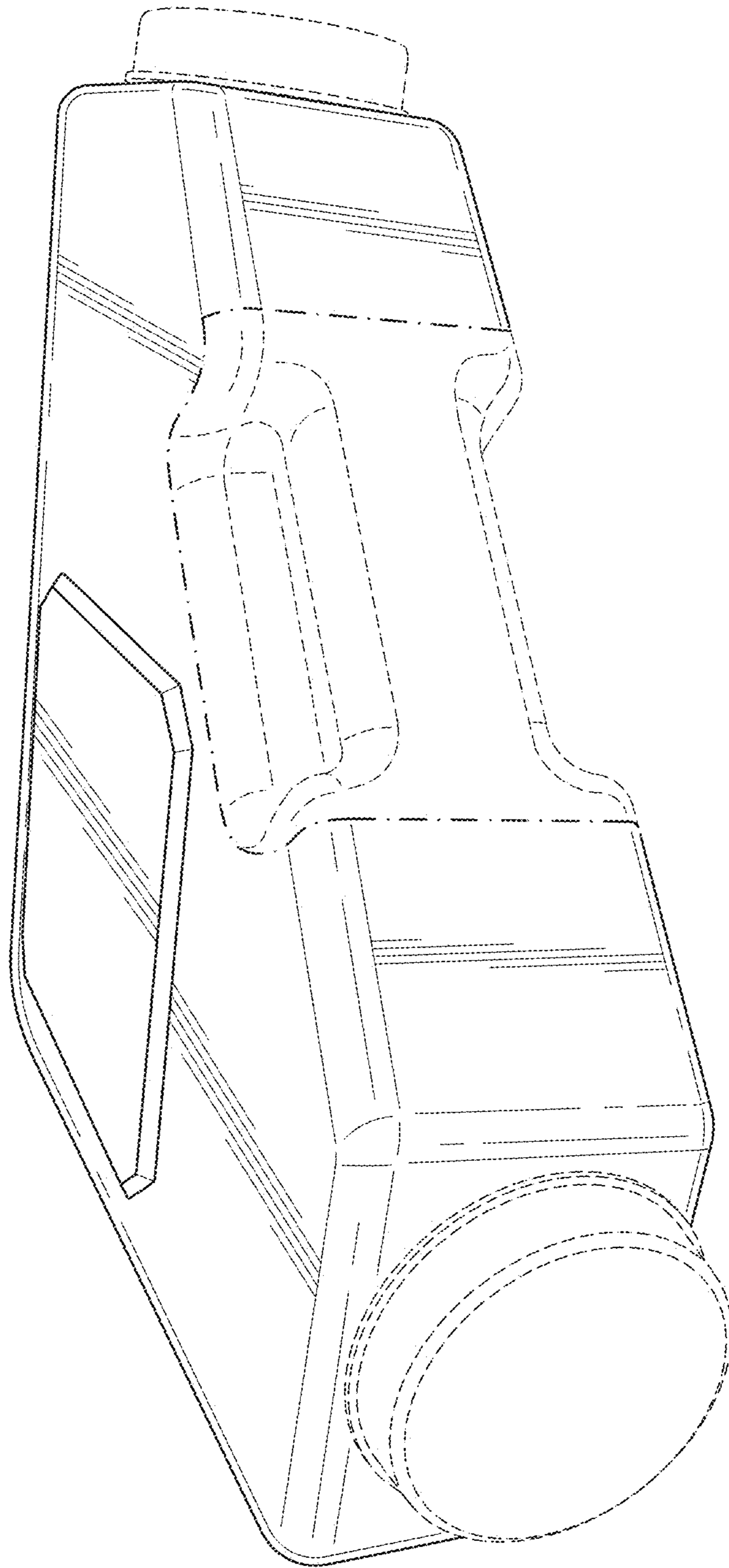


FIG. 1

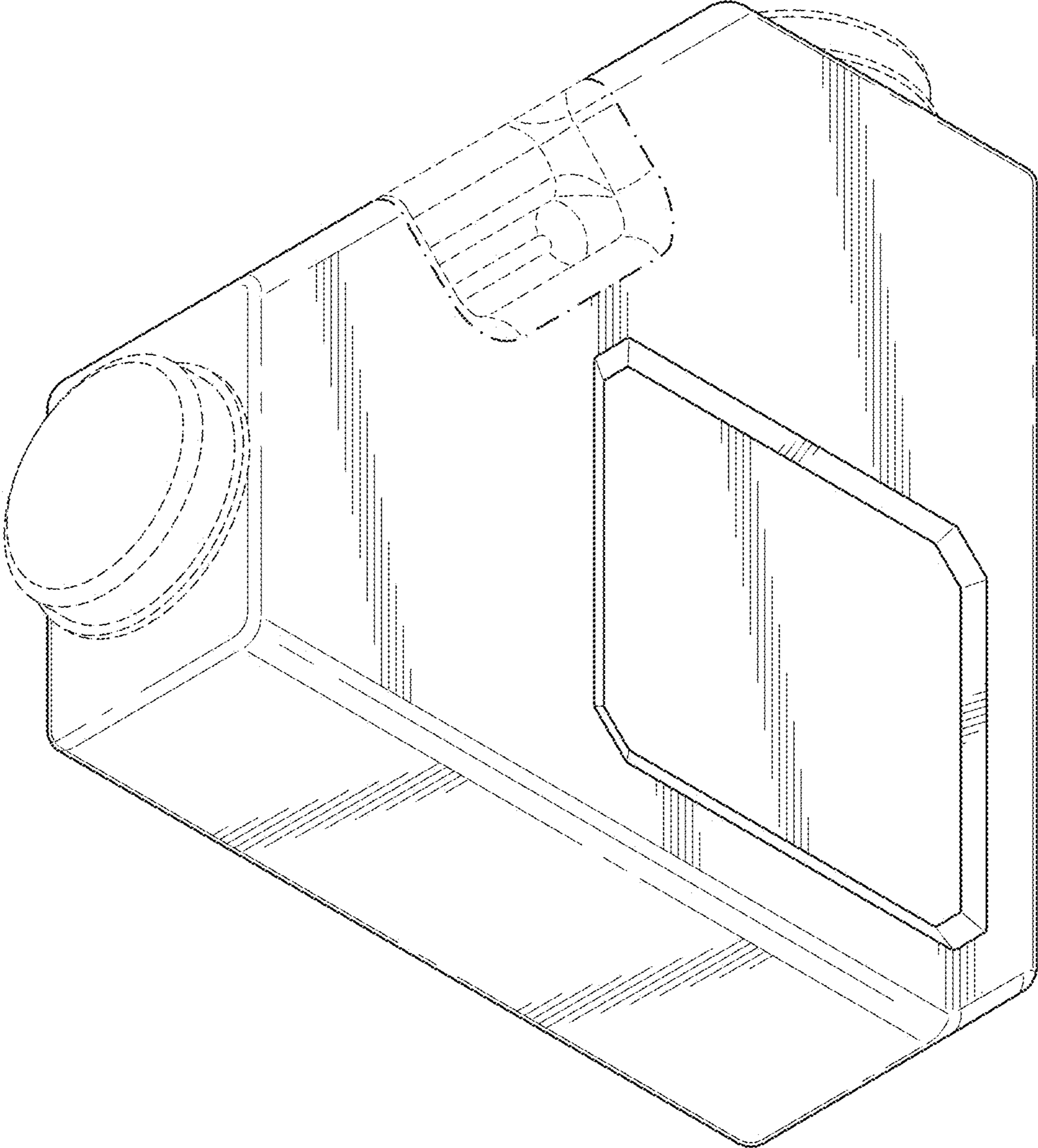


FIG. 2

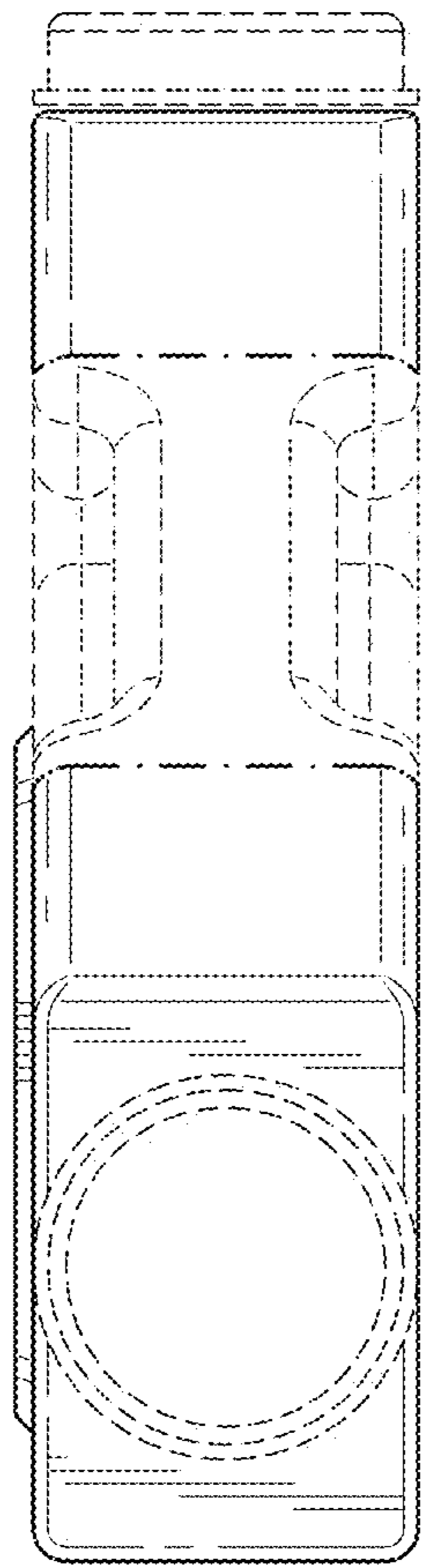


FIG. 3

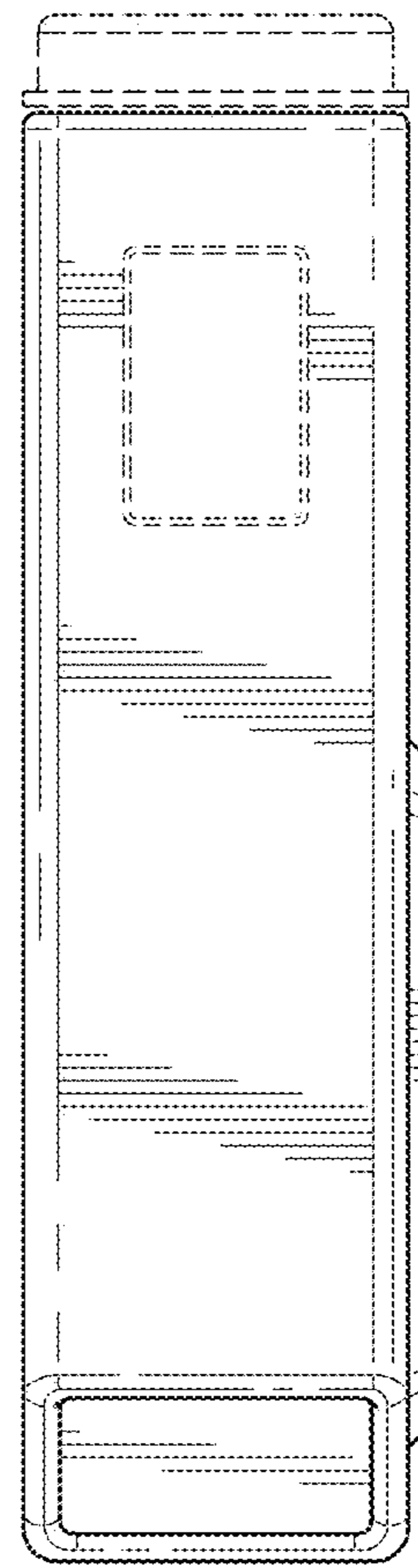


FIG. 4

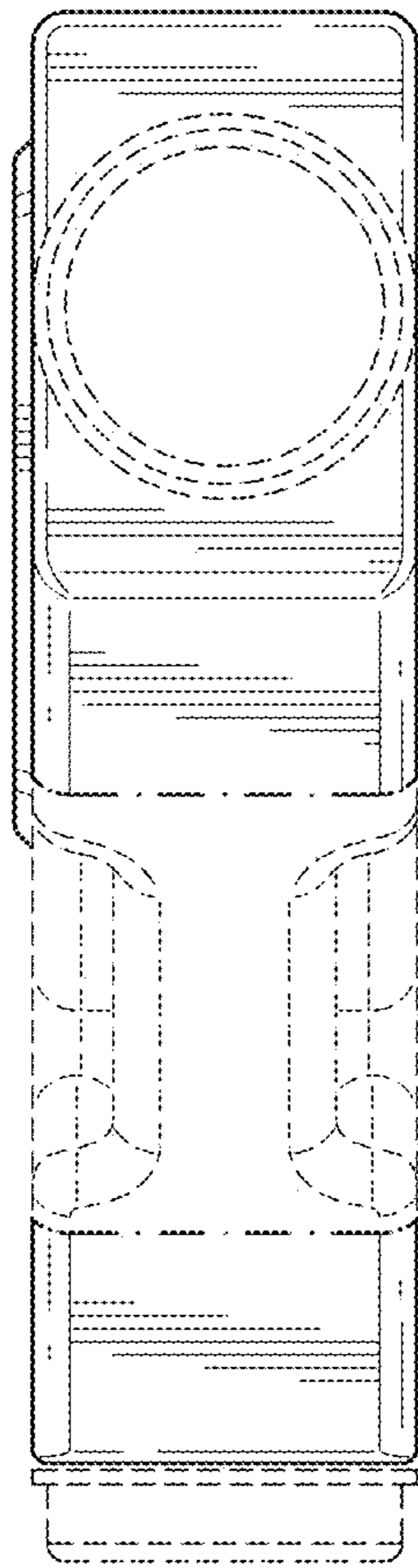


FIG. 5

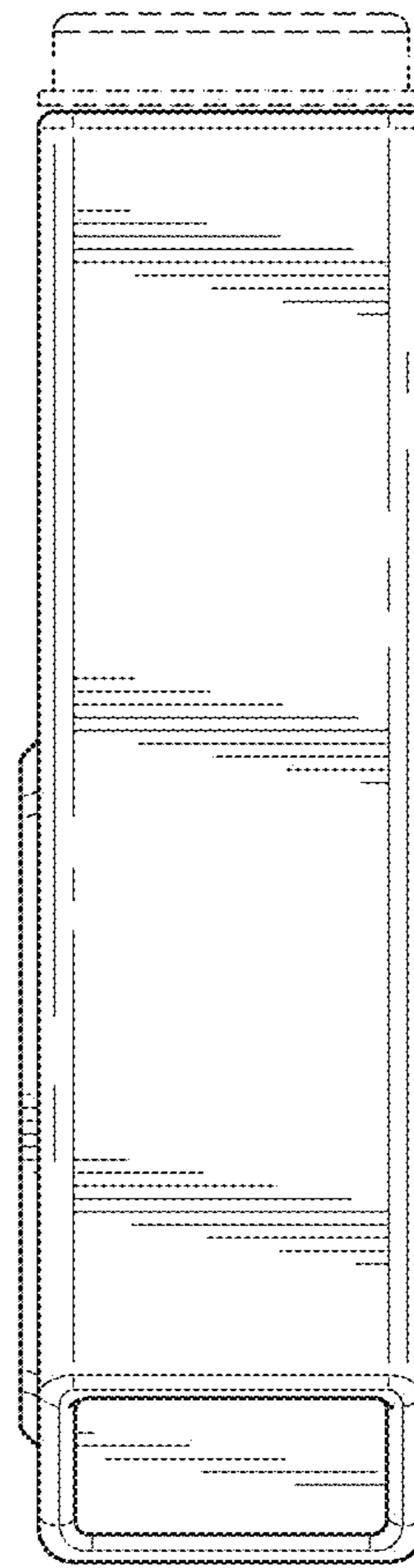


FIG. 6

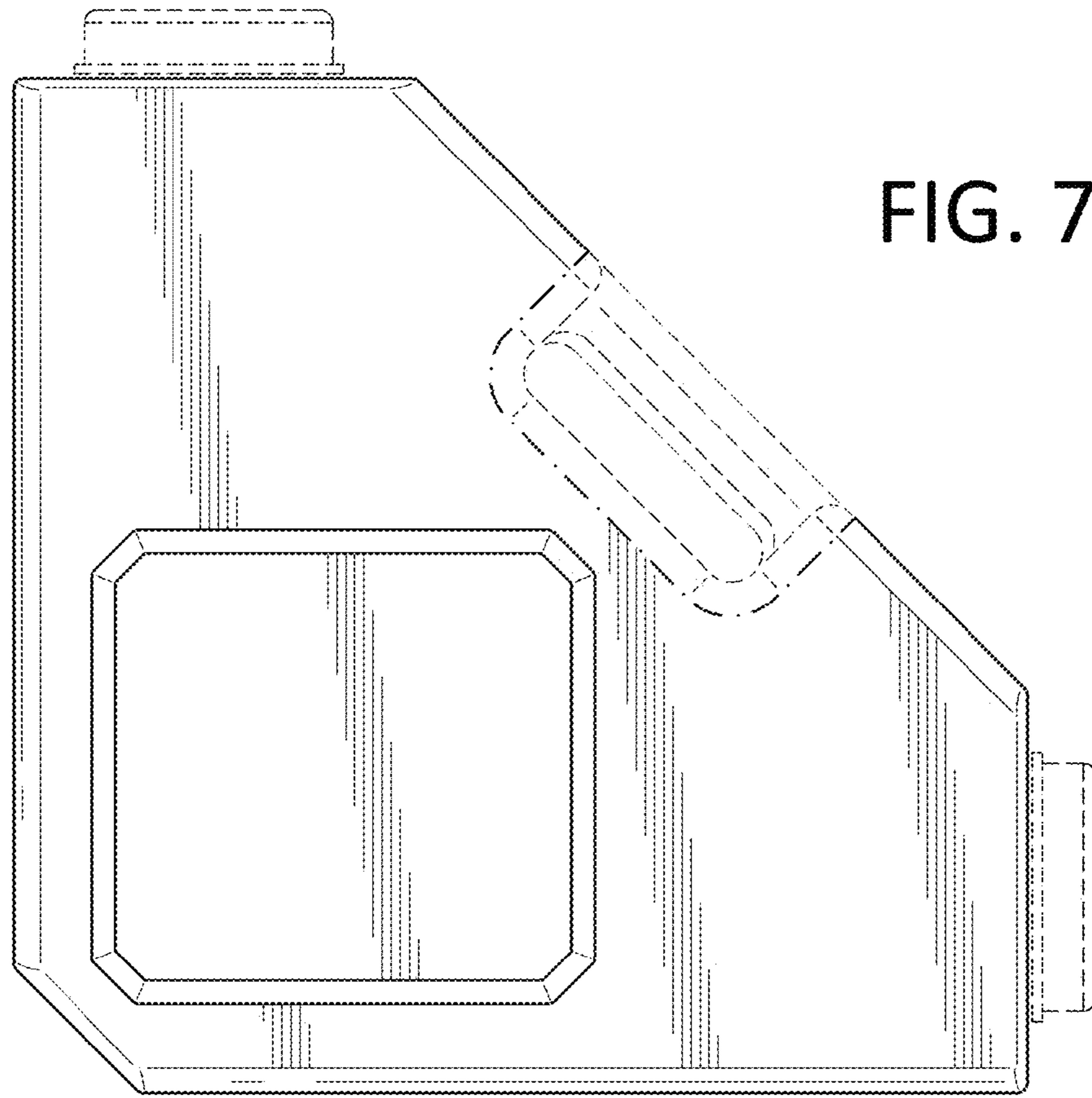


FIG. 7

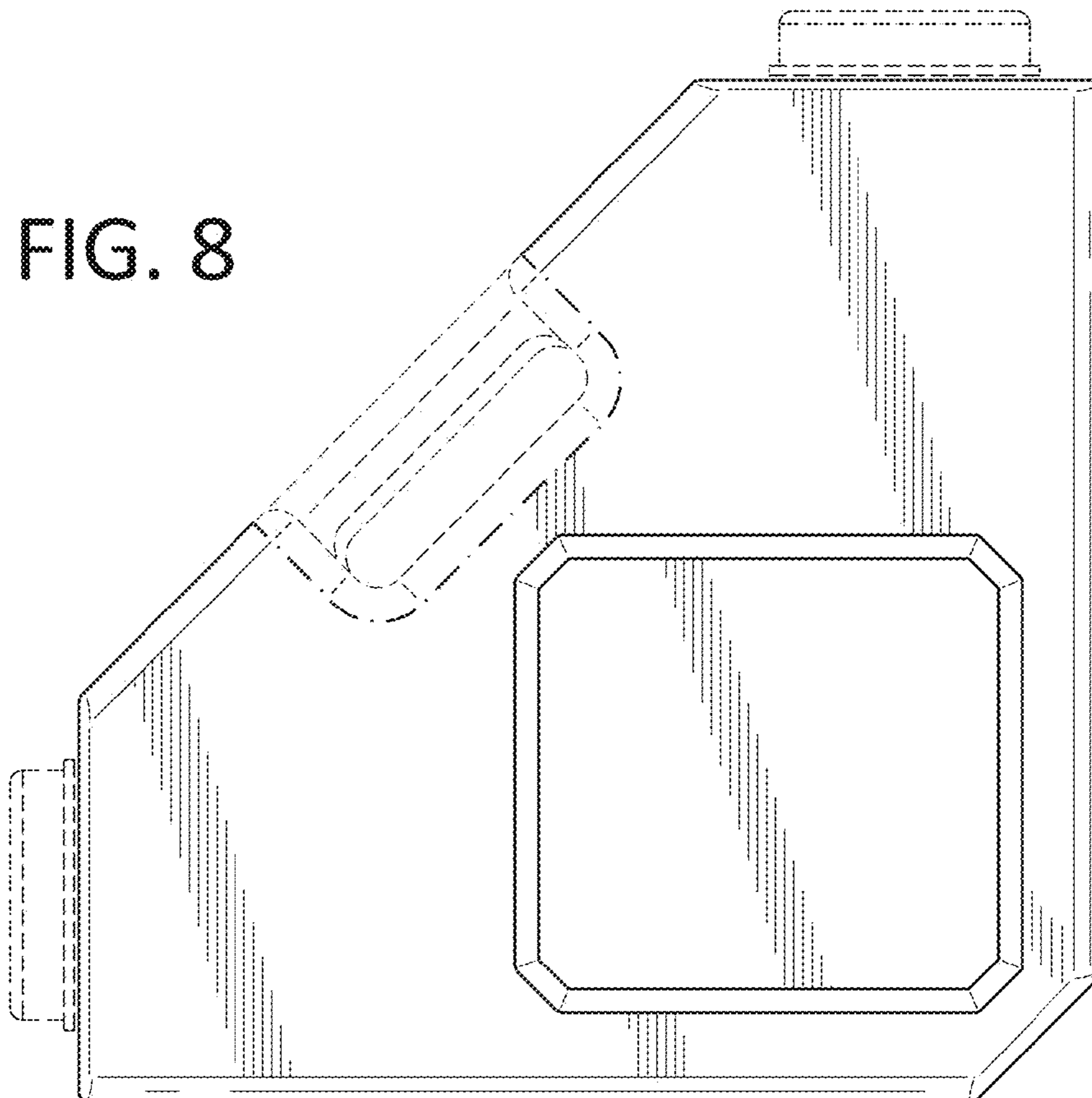


FIG. 8