



US00D985392S

(12) **United States Design Patent**  
**Kotrotsios**

(10) **Patent No.:** **US D985,392 S**

(45) **Date of Patent:** **\*\* May 9, 2023**

(54) **COFFEE CUP LID**

8,474,643 B2 \* 7/2013 Hundley ..... B65D 51/245  
220/717

(71) Applicant: **Demosthenis Kotrotsios**, Fairhaven,  
MA (US)

D695,612 S \* 12/2013 Chou ..... D9/449  
D716,141 S \* 10/2014 Rush ..... D9/447

(Continued)

(72) Inventor: **Demosthenis Kotrotsios**, Fairhaven,  
MA (US)

**OTHER PUBLICATIONS**

(\*\*) Term: **15 Years**

Black Flip Top Hot Cup Lid: Announced (Sep. 9, 2020 (online)).  
Site Visited (Dec. 17, 2022). Available from URL: [https://hotcupfactory.com/collections/hot-cup-lids/products/black-flip-top-hot-cup-lids-8-10-12-16-20-22-oz.\\*](https://hotcupfactory.com/collections/hot-cup-lids/products/black-flip-top-hot-cup-lids-8-10-12-16-20-22-oz.*)

(Continued)

(21) Appl. No.: **29/780,247**

(22) Filed: **Apr. 23, 2021**

(51) **LOC (14) Cl.** ..... **09-07**

(52) **U.S. Cl.**  
USPC ..... **D9/447; D9/454**

(58) **Field of Classification Search**  
USPC ..... D7/387, 391, 392.1, 396.1, 396.2, 396.6,  
D7/397; D9/434, 435, 436, 438, 439,  
D9/440, 442, 443, 445, 446, 452, 453,  
D9/454, 455, 456  
CPC ..... B65D 55/16; B65D 41/14; B65D 41/16;  
B65D 41/3428; B65D 1/02; B65D  
1/0233; B65D 1/08; B65D 1/10; B65D  
43/0212; B65D 43/0208; B25B 15/008;  
B25B 13/5008; A47G 19/2272

See application file for complete search history.

*Primary Examiner* — Catherine S Posthauer

(74) *Attorney, Agent, or Firm* — Sanchelima &  
Associates, P.A.; Christian Sanchelima; Jesus Sanchelima

(57) **CLAIM**

The ornamental design for a coffee cup lid, as shown and  
described.

**DESCRIPTION**

FIG. 1 is an isometric view of a coffee cup lid showing my  
new design in a position of use with an exemplary coffee  
cup;

FIG. 2 is a front elevational view thereof, shown with the  
exemplary environmental subject matter of a coffee cup  
removed;

FIG. 3 is a rear elevational view thereof;

FIG. 4 is a left side elevational view thereof;

FIG. 5 is a right elevational view thereof;

FIG. 6 is a top plan view thereof; and

FIG. 7 is a bottom plan view thereof showing my design;  
and,

FIG. 8 is an isometric view.

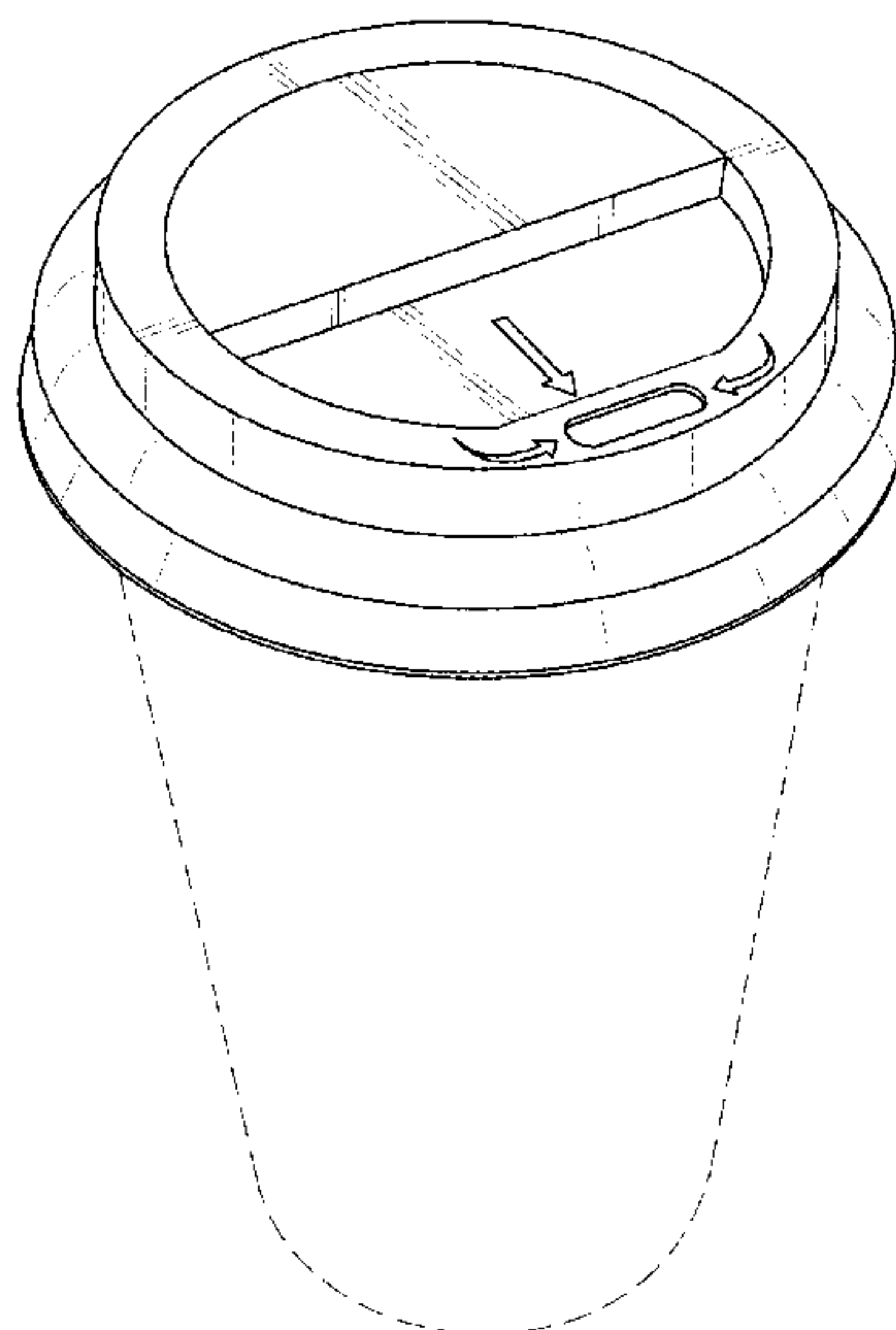
The broken lines are shown for the purpose of illustrating  
parts of the article as well as environmental subject matter  
of an exemplary coffee cup. None of the broken lines form  
part of the claimed design.

(56) **References Cited**

**U.S. PATENT DOCUMENTS**

D360,133 S *	7/1995	Boiler	.....	D9/447
D417,845 S *	12/1999	Sadlier	.....	D9/454
D437,223 S *	2/2001	Coy	.....	D9/447
D480,968 S *	10/2003	Atkins	.....	D9/449
D516,424 S *	3/2006	Schweigert	.....	D9/447
D533,777 S *	12/2006	Hundley	.....	D9/447
D570,685 S *	6/2008	Koennecke	.....	D9/449
D572,587 S *	7/2008	Rush	.....	D9/449
D591,595 S *	5/2009	Tedford, Jr.	.....	D9/449
D614,954 S *	5/2010	Crowell	.....	D9/449
D624,413 S *	9/2010	Selina	.....	D9/447
D629,298 S *	12/2010	Wong	.....	D9/454
D660,696 S *	5/2012	Weiss	.....	D9/454

**1 Claim, 4 Drawing Sheets**



(56)

References Cited

U.S. PATENT DOCUMENTS

D722,873 S \* 2/2015 Wu ..... D9/449  
 D761,104 S \* 7/2016 Buck ..... D9/447  
 D761,649 S \* 7/2016 Buck ..... D9/447  
 D822,484 S \* 7/2018 D'Amato ..... D9/447  
 D827,437 S \* 9/2018 Oakes ..... D9/447  
 D829,549 S \* 10/2018 D'Amato ..... D9/447  
 D838,590 S \* 1/2019 Lee ..... D7/396.2  
 D838,591 S \* 1/2019 Lee ..... D7/396.2  
 D850,258 S \* 6/2019 Savenok ..... D9/450  
 D867,134 S \* 11/2019 Savenok ..... D9/450  
 D876,233 S \* 2/2020 Pan ..... D7/392.1  
 D878,917 S \* 3/2020 Savenok ..... D9/450  
 D910,444 S \* 2/2021 Trombley ..... D9/454  
 D945,264 S \* 3/2022 Eickhoff ..... D9/449  
 D951,090 S \* 5/2022 Chou ..... D9/438  
 D953,161 S \* 5/2022 Tang ..... D9/454  
 D960,706 S \* 8/2022 Yamada ..... D9/454  
 D960,707 S \* 8/2022 Yamada ..... D9/454

D961,387 S \* 8/2022 Milan ..... B65D 51/18  
 D9/447  
 2015/0251818 A1\* 9/2015 Strachan ..... B65D 43/18  
 220/254.8  
 2016/0058223 A1\* 3/2016 Savenok ..... B65D 47/265  
 220/719

OTHER PUBLICATIONS

Solo Traveler Lids: Announced (Aug. 28, 2018 (online)). Site Visited (Dec. 17, 2022). Available from URL: [https://www.staples.com/SOLO-White-Traveler-Lids-8-oz-100-Pack/product\\_891127?cid=PS:GS:SBD:PLA:FdBrk&gclid=CjwKCAiA7vWcBhBUEiwAXieltvNdHbdB2nA7FbPsyshqXT9r7URpEa2tlznsFDOxmyZaYiPz1cZZVhoC6VcQAvD\\_BwE.\\*](https://www.staples.com/SOLO-White-Traveler-Lids-8-oz-100-Pack/product_891127?cid=PS:GS:SBD:PLA:FdBrk&gclid=CjwKCAiA7vWcBhBUEiwAXieltvNdHbdB2nA7FbPsyshqXT9r7URpEa2tlznsFDOxmyZaYiPz1cZZVhoC6VcQAvD_BwE.*)  
 Disposable Hot/Cold Lids: Site Visited (Dec. 17, 2022). Available from URL: [https://whhaokelao.en.made-in-china.com/product/kdKGhSDvkzYB/China-8oz-12oz-16oz-Disposable-White-Paper-Hot-Cold-Beverage-Drinking-Cups-for-Espresso-Cups.html.\\*](https://whhaokelao.en.made-in-china.com/product/kdKGhSDvkzYB/China-8oz-12oz-16oz-Disposable-White-Paper-Hot-Cold-Beverage-Drinking-Cups-for-Espresso-Cups.html.*)

\* cited by examiner

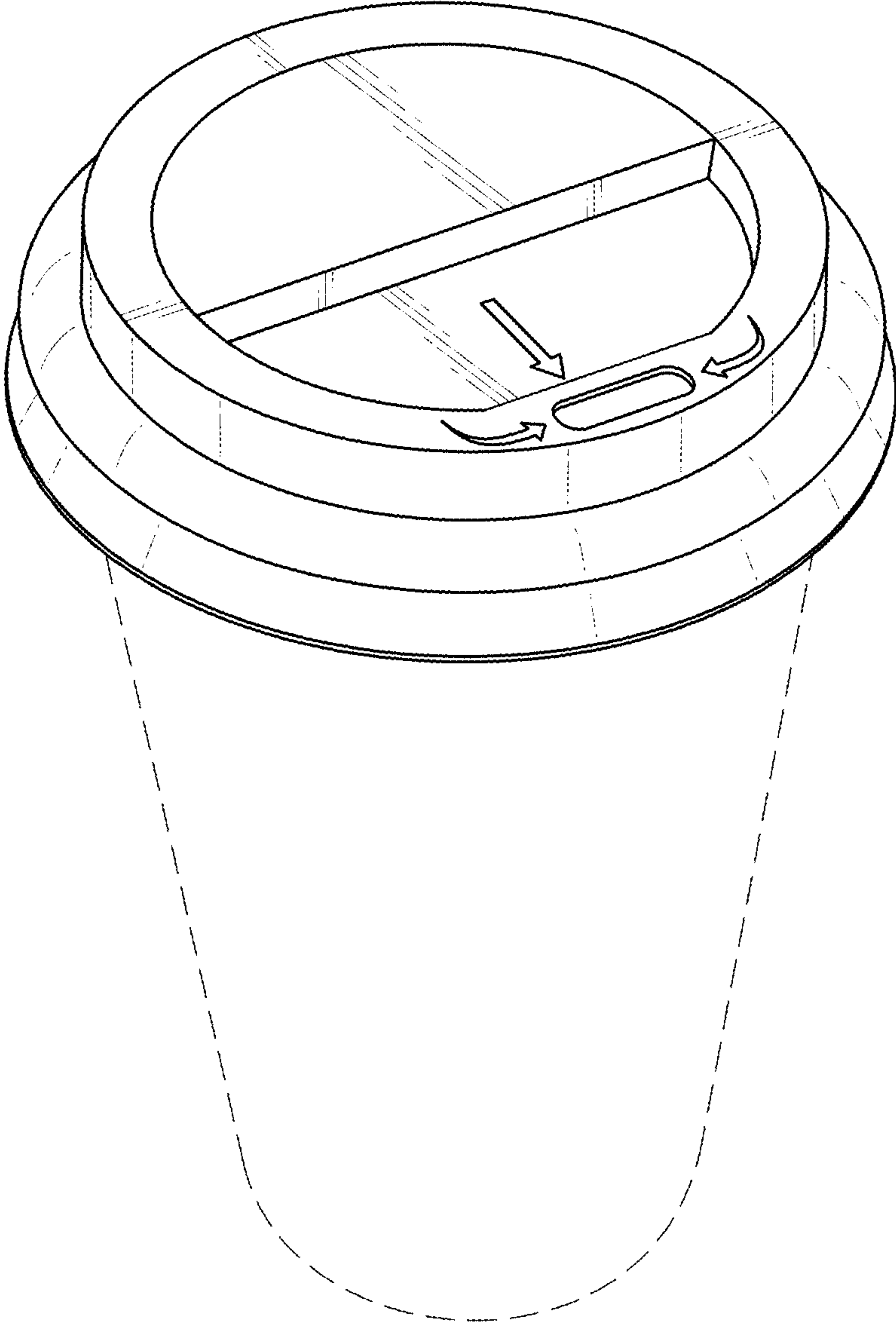


FIG. 1

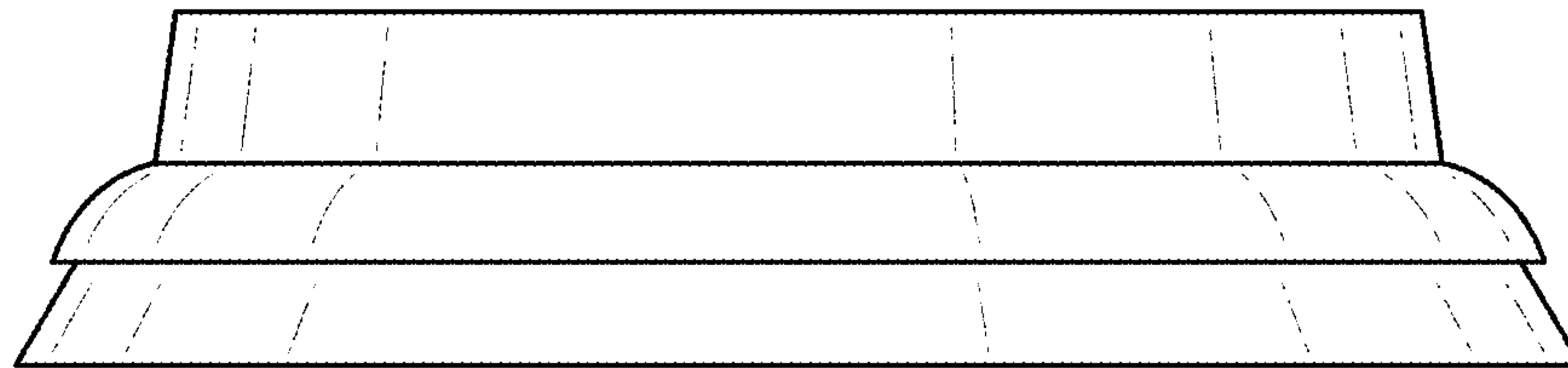


FIG. 2

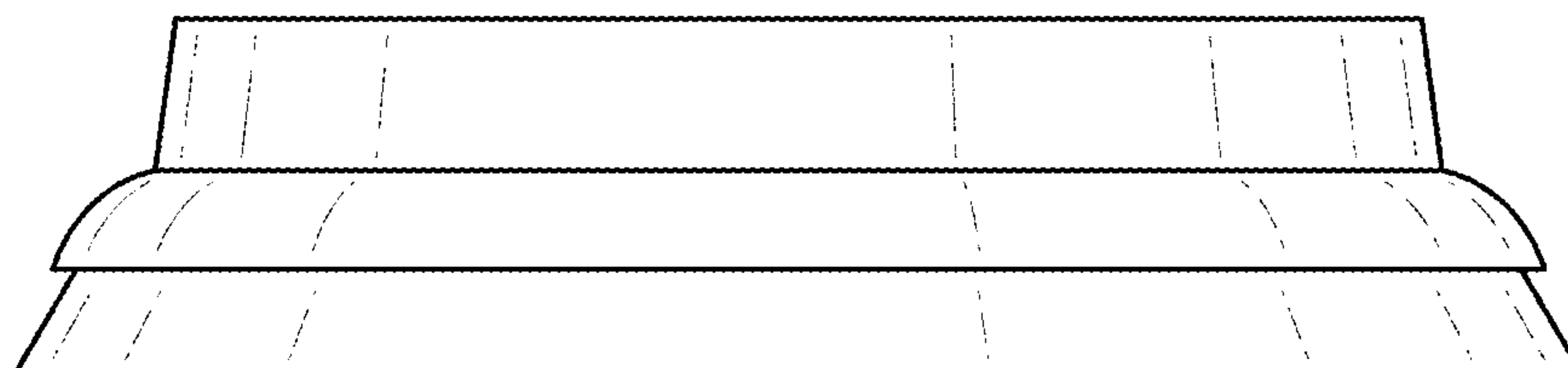


FIG. 3

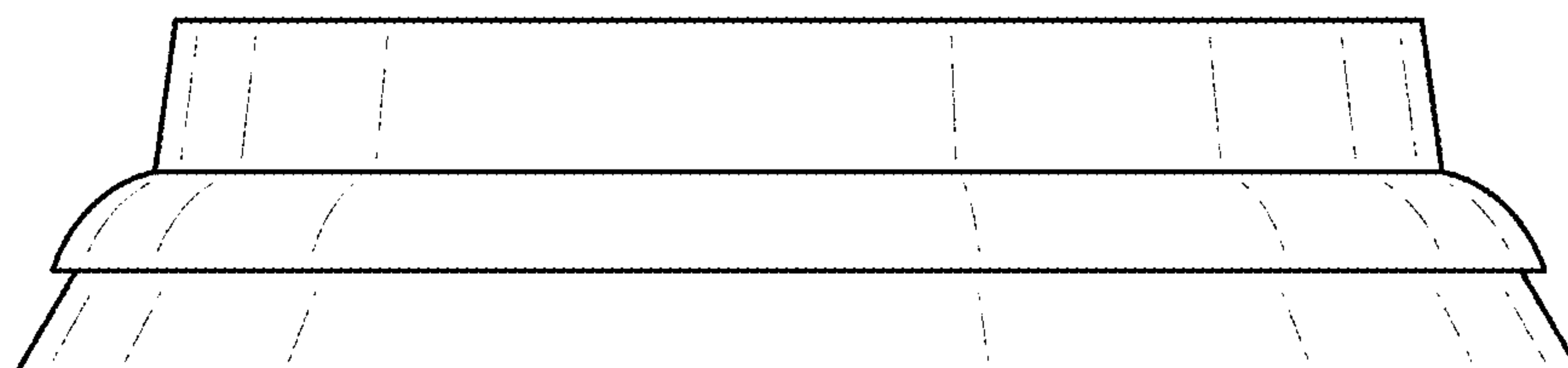


FIG. 4

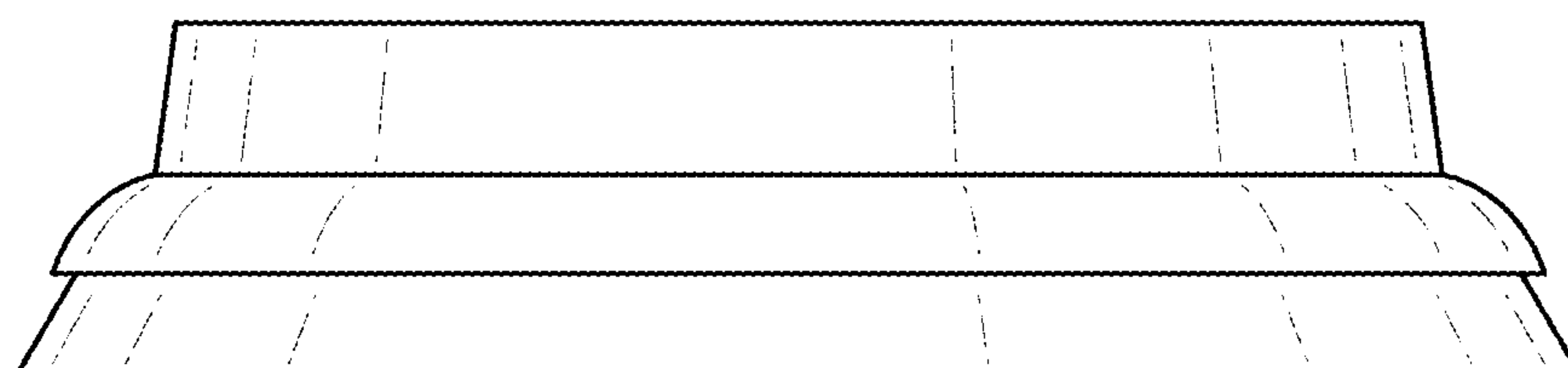


FIG. 5



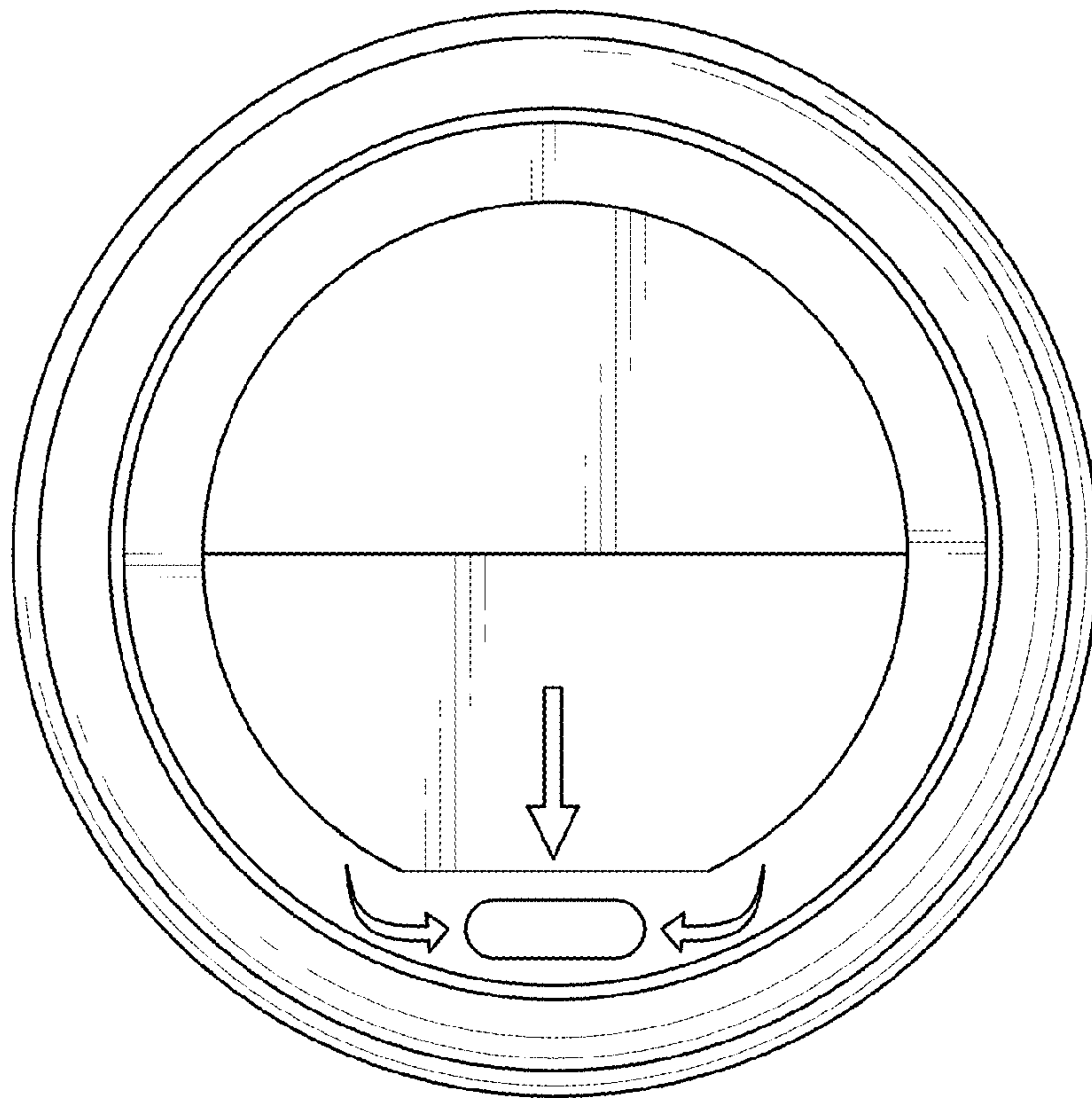


FIG. 6

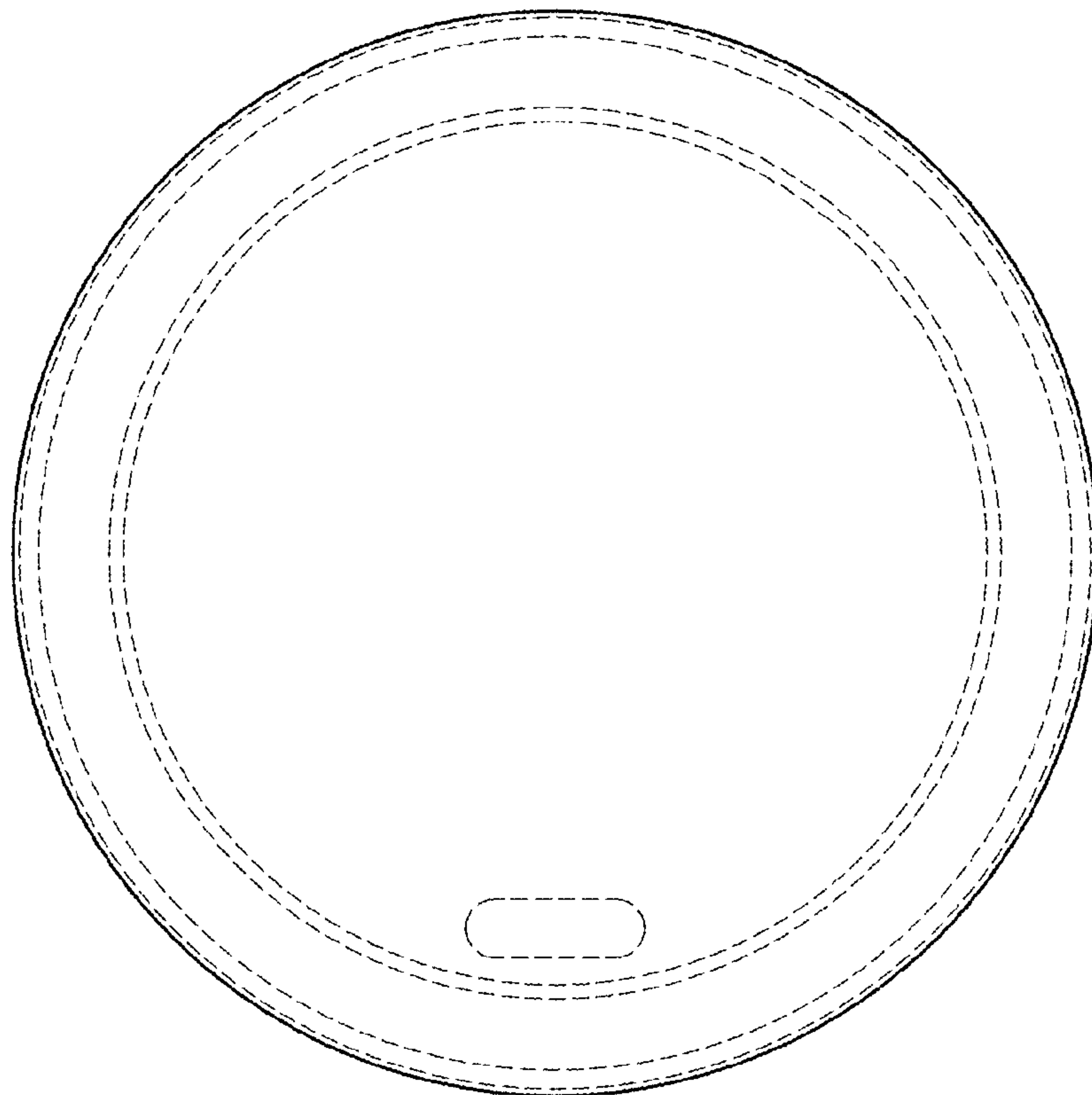


FIG. 7

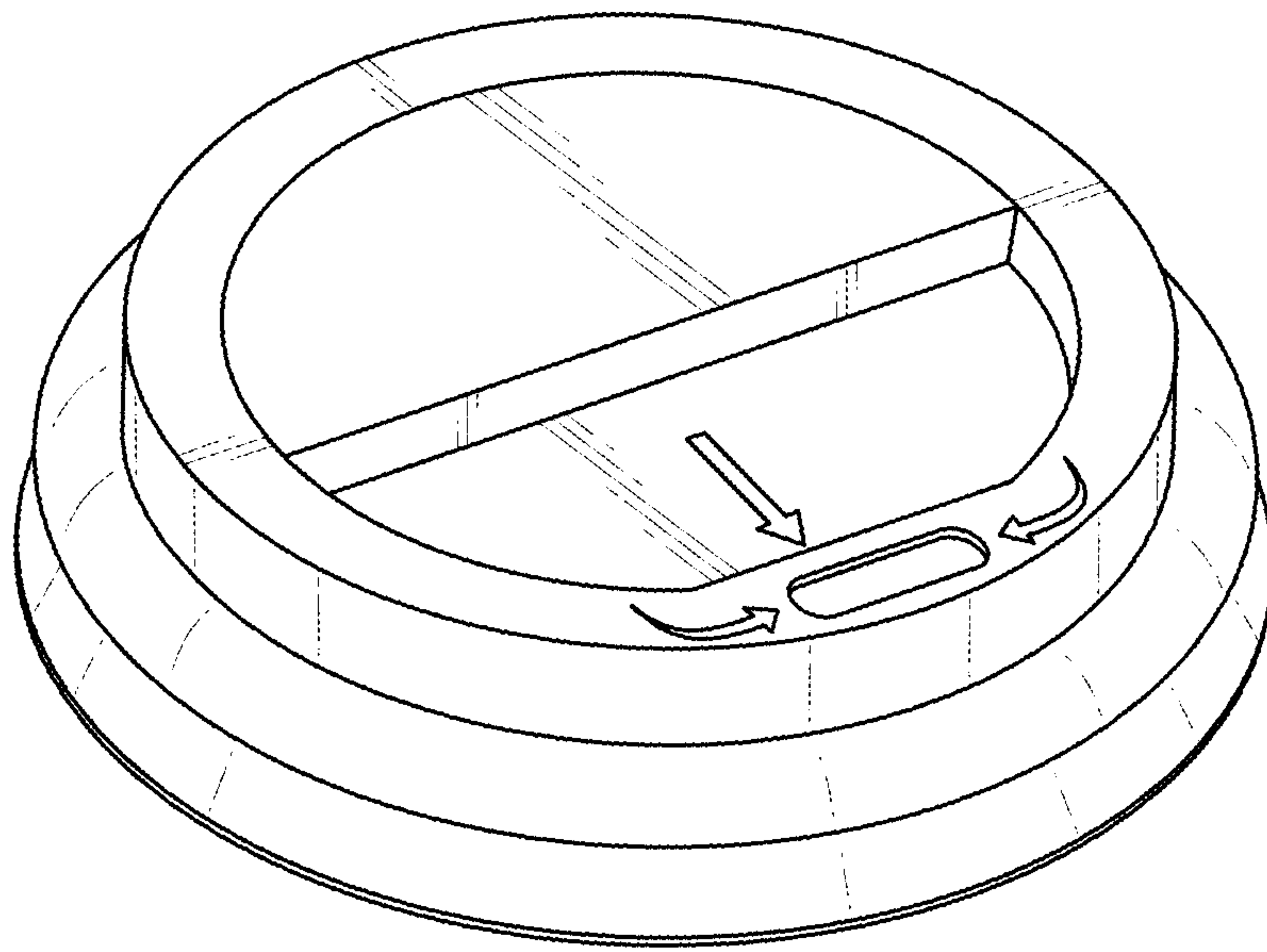


FIG. 8