



US00D985391S

(12) **United States Design Patent** (10) **Patent No.:** **US D985,391 S**  
**Wu** (45) **Date of Patent:** **\*\* May 9, 2023**

(54) **MASON JAR LID**  
(71) Applicant: **Chunlian Wu**, Ganzhou (CN)  
(72) Inventor: **Chunlian Wu**, Ganzhou (CN)  
(\*\*) Term: **15 Years**  
(21) Appl. No.: **29/870,600**  
(22) Filed: **Jan. 31, 2023**  
(51) **LOC (14) Cl.** ..... **09-01**  
(52) **U.S. Cl.**  
USPC ..... **D9/443; D7/392.1**  
(58) **Field of Classification Search**  
USPC ..... D9/434, 435, 439, 440, 443, 444, 445,  
D9/447, 449, 453, 454, 503, 504, 505,  
D9/686; D7/312, 313, 316, 317, 318,  
D7/321, 392, 392.1, 396.2, 507, 509, 510,  
D7/511, 523, 605, 608; D6/512, 515  
CPC .. A47G 19/2272; B65D 47/06; B65D 47/106;  
B65D 47/12; B65D 47/121; B65D 83/40;  
B65D 83/205; B65D 83/206; B65D  
2251/00; B65D 2539/00; B65D 2539/001;  
B65D 2543/00; B65D 2543/0009; B65D  
2543/00018; B65D 2543/00046; B65D  
2543/00055  
See application file for complete search history.

D922,137 S \* 6/2021 Chen ..... D9/449  
11,077,995 B2 \* 8/2021 Pinelli ..... B65D 43/0229  
D944,052 S \* 2/2022 Yao ..... D7/392.1  
D945,211 S \* 3/2022 Yao ..... D7/392.1  
D954,492 S \* 6/2022 Alles ..... D7/392.1  
(Continued)

**FOREIGN PATENT DOCUMENTS**

CN 306860431 \* 10/2021  
PE 5009-0001 \* 11/2017

**OTHER PUBLICATIONS**

County Line Kitchen—Mason Jar Flip Cap Lid with Handle, posted at Amazon.com on Jul. 20, 2019, [site visited Feb. 9, 2023]. Available from internet, URL: <<https://www.amazon.com/County-Line-Kitchen-Leak-Proof-Innovative/dp/B07V4GHXZX/>> (Year: 2019).\*

(Continued)

*Primary Examiner* — Andrew Kerr  
*Assistant Examiner* — Chariton Alexakis

(57) **CLAIM**

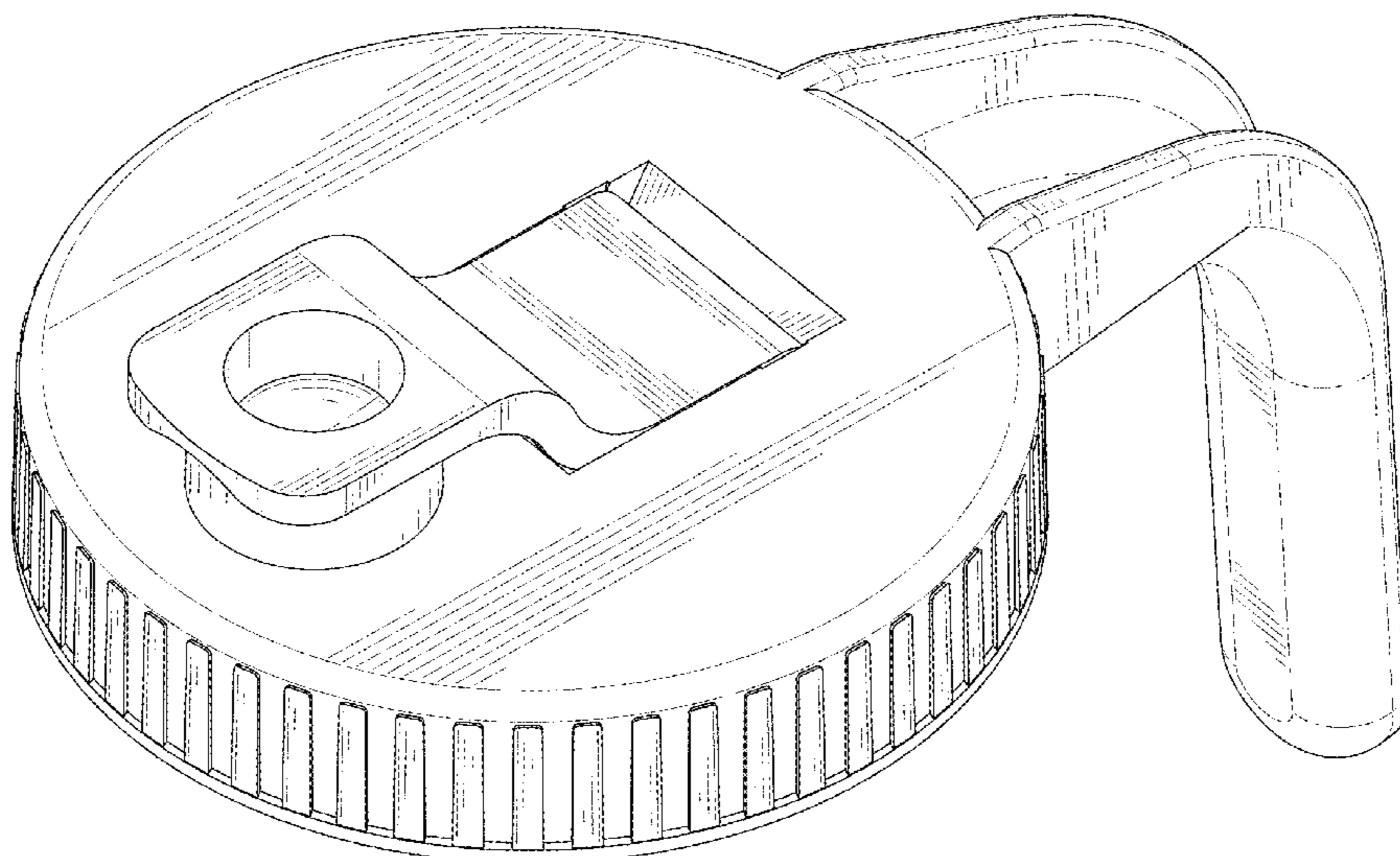
The ornamental design for a mason jar lid, as shown and described.

**DESCRIPTION**

FIG. 1 is a front and top perspective view of a mason jar lid, showing my new design;  
FIG. 2 is a rear and bottom perspective view thereof;  
FIG. 3 is a front elevation view thereof;  
FIG. 4 is a rear elevation view thereof;  
FIG. 5 is a left side elevation view thereof;  
FIG. 6 is a right side elevation view thereof;  
FIG. 7 is a top plan view thereof; and,  
FIG. 8 is a bottom plan view thereof.  
The broken lines in the figures illustrate portions of the mason jar lid that form no part of the claimed design.

**1 Claim, 8 Drawing Sheets**

(56) **References Cited**  
U.S. PATENT DOCUMENTS  
D121,154 S \* 6/1940 Bernhardt ..... D7/392  
D325,848 S \* 5/1992 Embree ..... D7/533  
D652,685 S \* 1/2012 Carter ..... D9/434  
D746,679 S \* 1/2016 Jasso Gomez ..... D9/443  
D812,984 S \* 3/2018 Seiders ..... D7/622  
D843,155 S \* 3/2019 Kestenbaum ..... D7/318  
D881,641 S 4/2020 Baron et al.  
D886,515 S \* 6/2020 Eyal ..... D7/392.1  
D889,193 S \* 7/2020 Alles ..... D7/392.1  
D911,169 S \* 2/2021 Matauch ..... D7/392.1  
D911,772 S \* 3/2021 Xie ..... D7/392.1  
D920,106 S \* 5/2021 Partsch, IV ..... D9/453



(56)

**References Cited**

U.S. PATENT DOCUMENTS

D958,593 S \* 7/2022 Bahrehmand ..... B65D 69/00  
D7/394  
D966,789 S \* 10/2022 Hove ..... D7/392.1  
D968,878 S \* 11/2022 Salim ..... B65D 43/0229  
D7/392  
D968,884 S \* 11/2022 Kutlug ..... D7/392.1  
2015/0108152 A1 \* 4/2015 Franzen ..... B65D 69/00  
220/758

OTHER PUBLICATIONS

Gmsweet Regular Mouth Mason Jar Lids with Handle, posted at Amazon.com on May 12, 2021, [site visited Feb. 9, 2023]. Available from internet, URL: <<https://www.amazon.com/dp/B094QM7SNH/>> (Year: 2021).\*

Jarware Mason Jar Spout Lid, posted at Amazon.com on Mar. 22, 2022, [site visited Feb. 22, 2023]. Available from internet, URL: <<https://www.amazon.com/dp/B09ZC5Y6K8/>> (Year: 2022).\*

\* cited by examiner

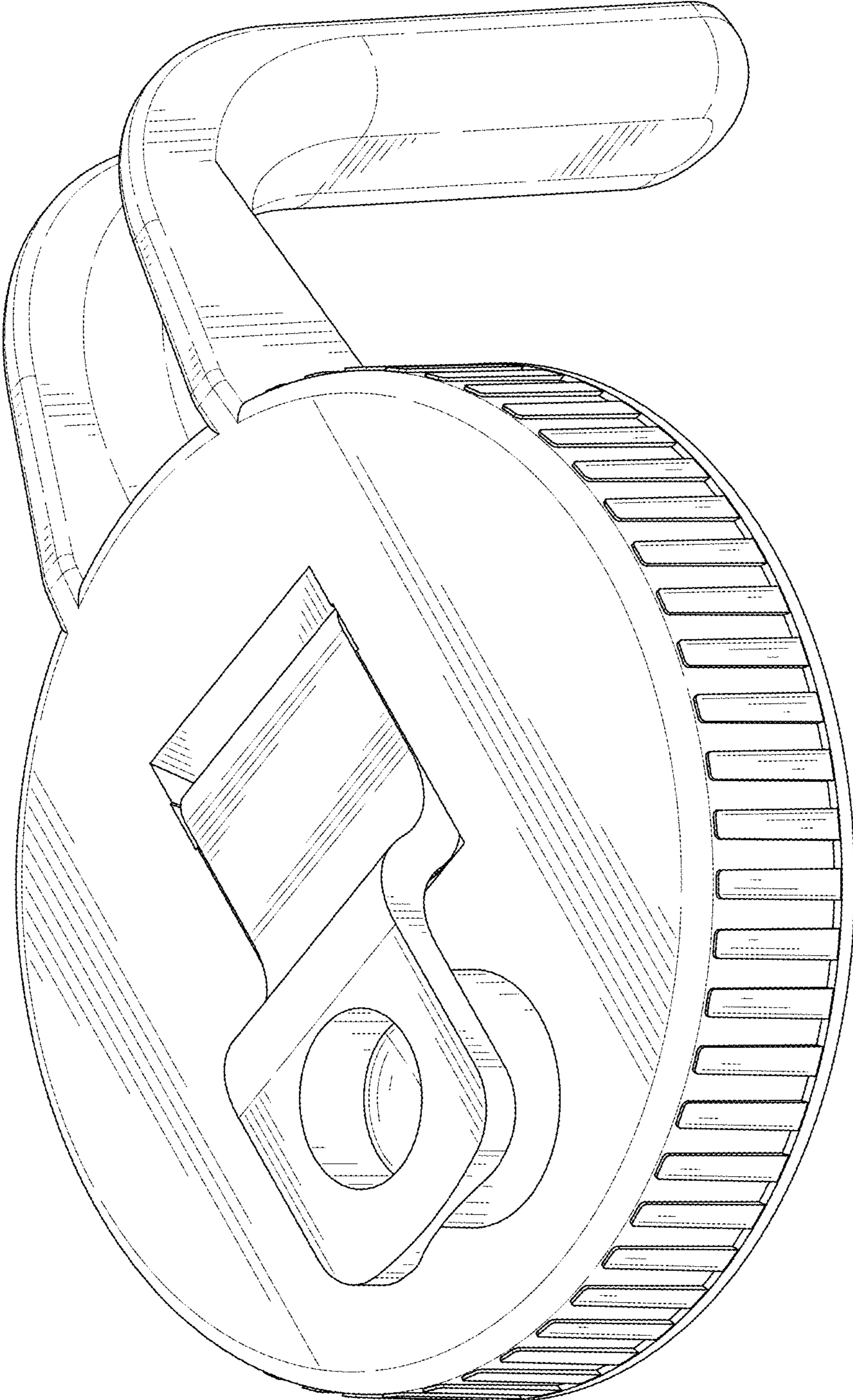


FIG. 1

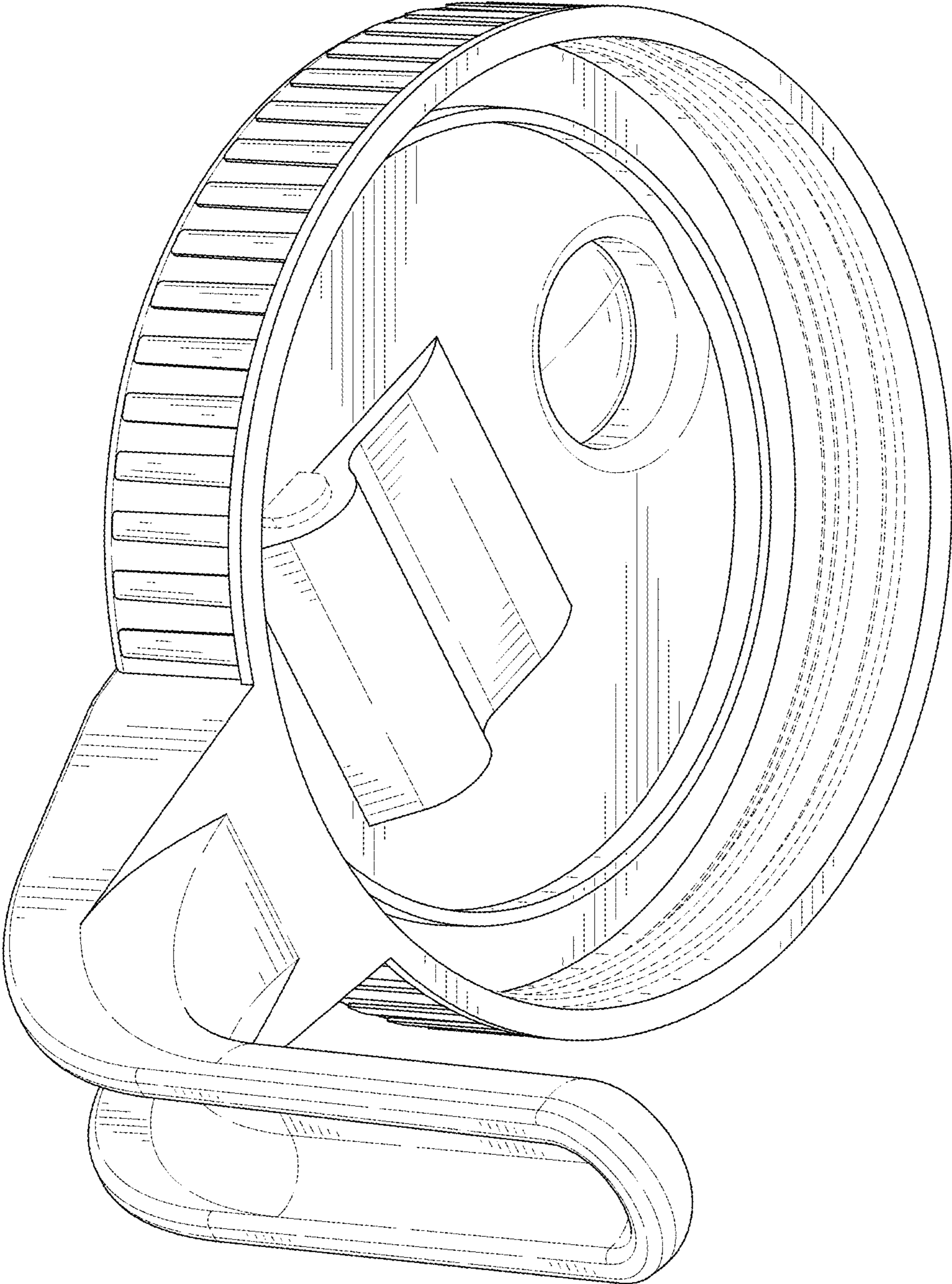


FIG. 2

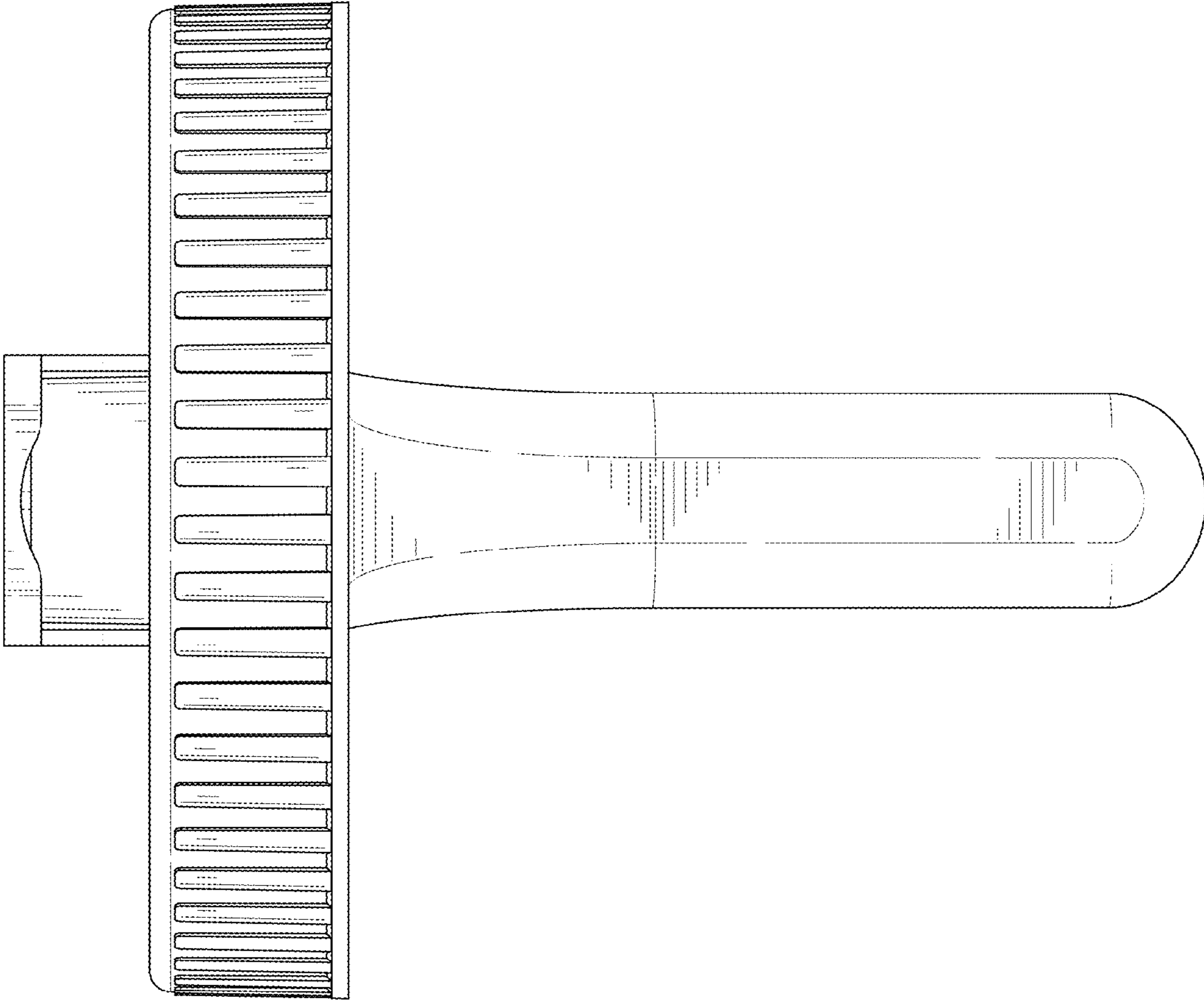


FIG. 3

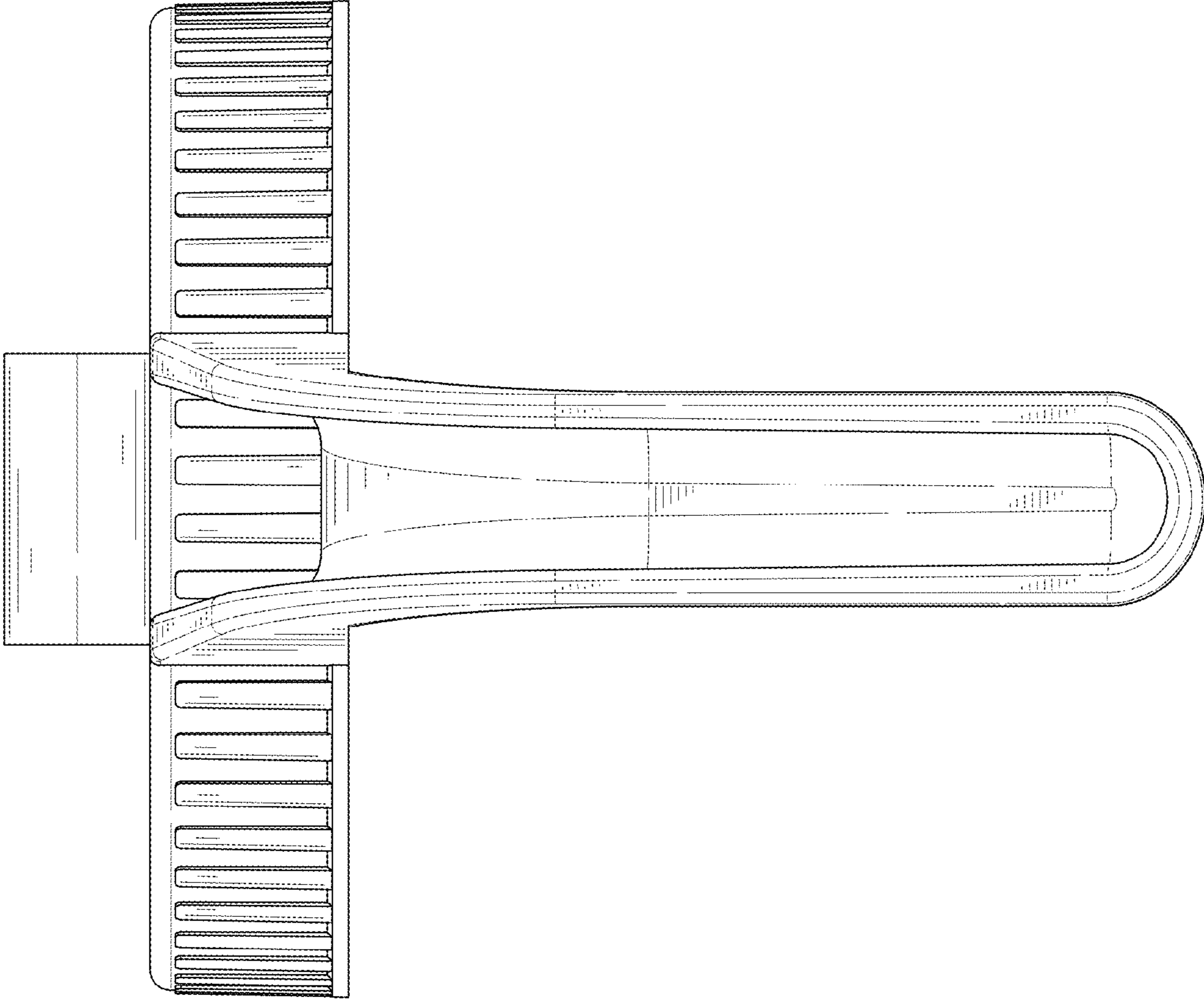


FIG. 4

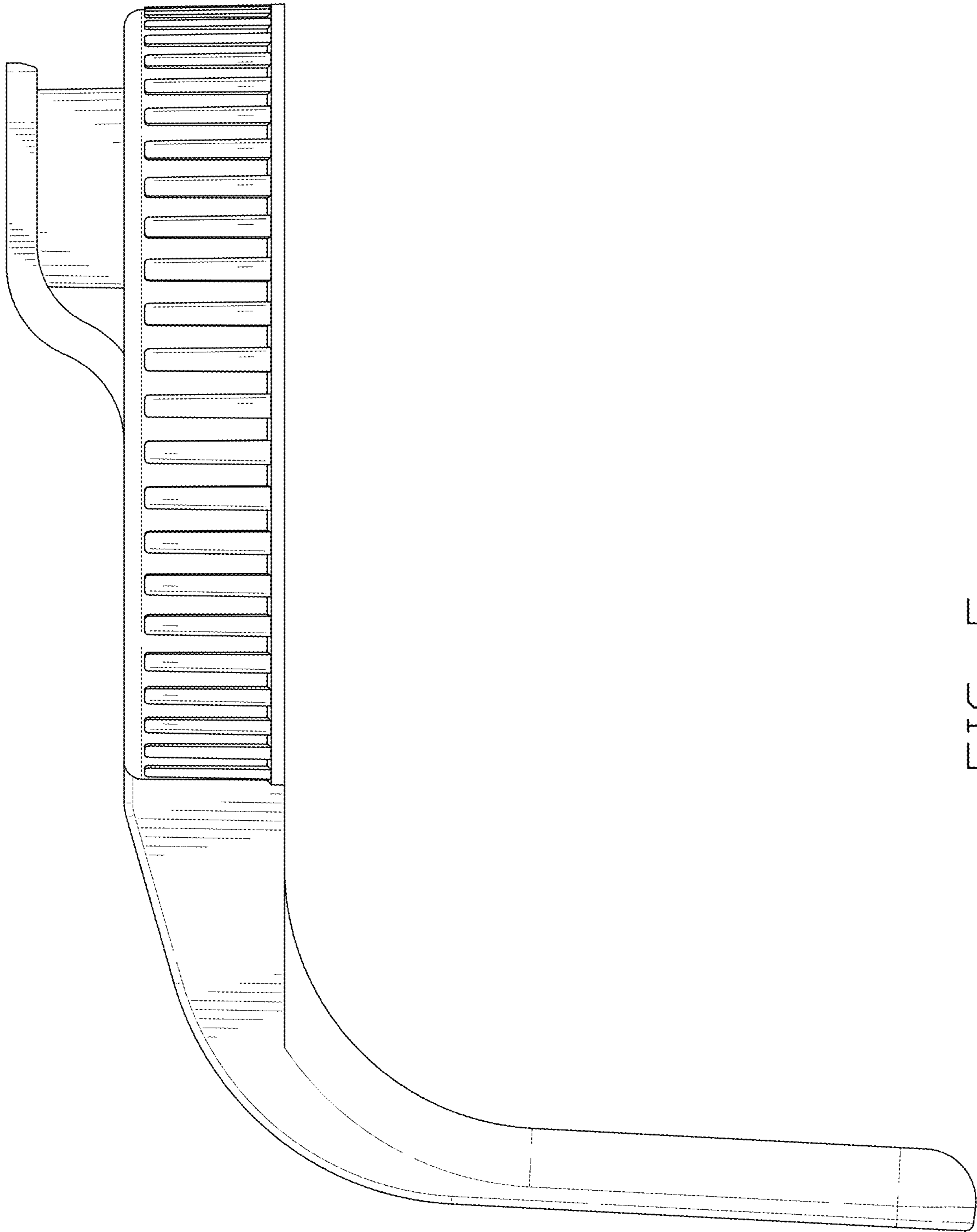


FIG. 5

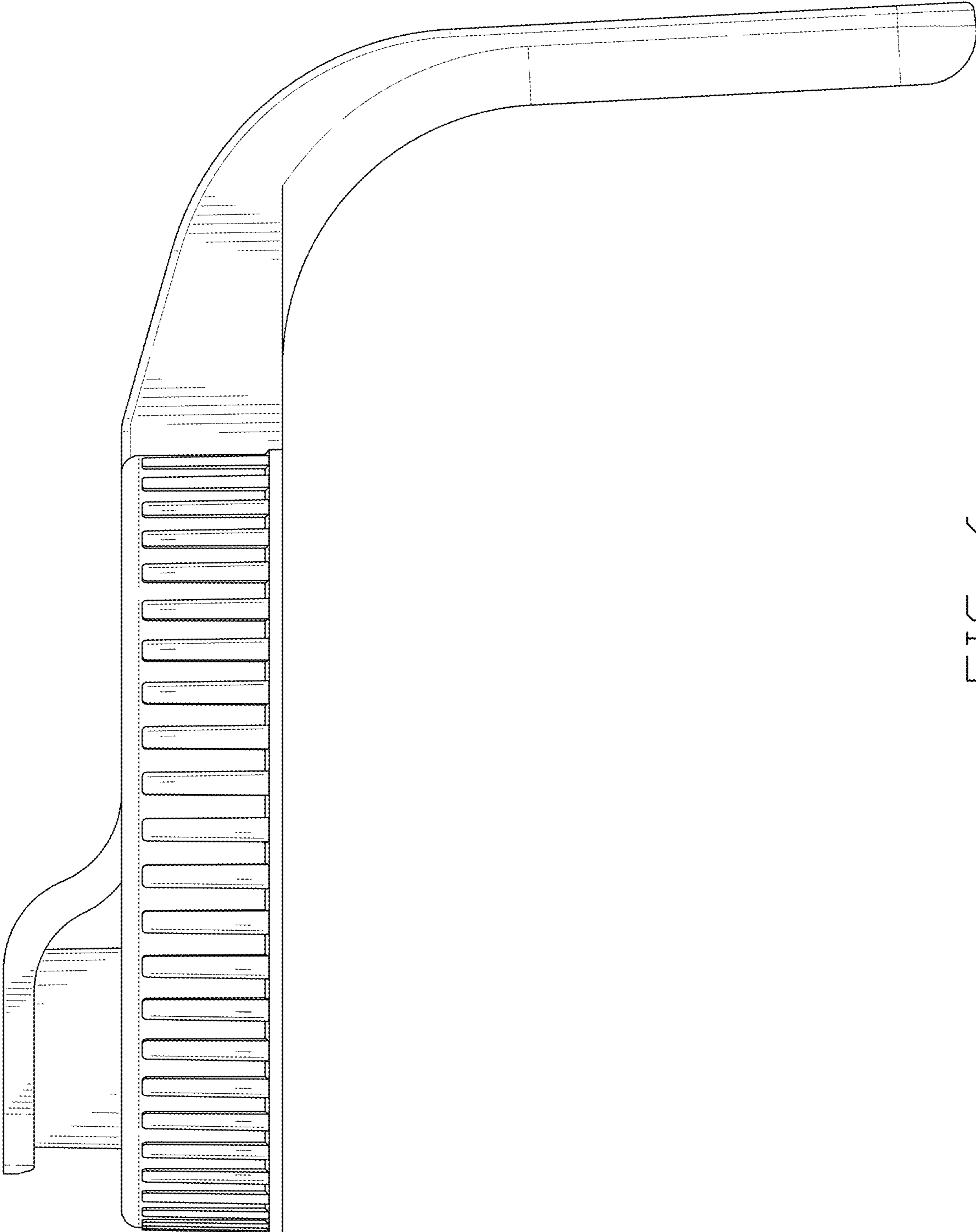


FIG. 6



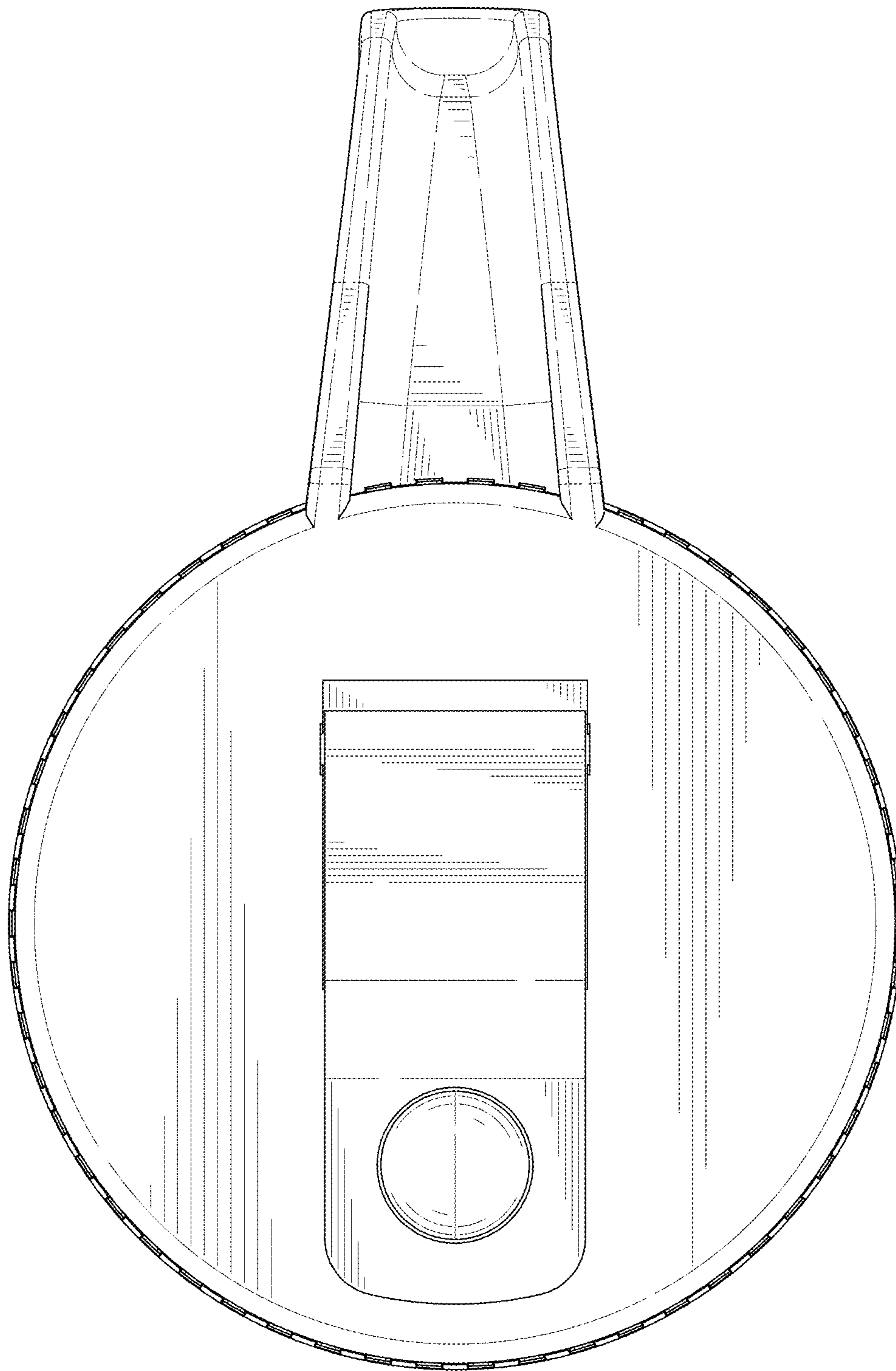


FIG. 7

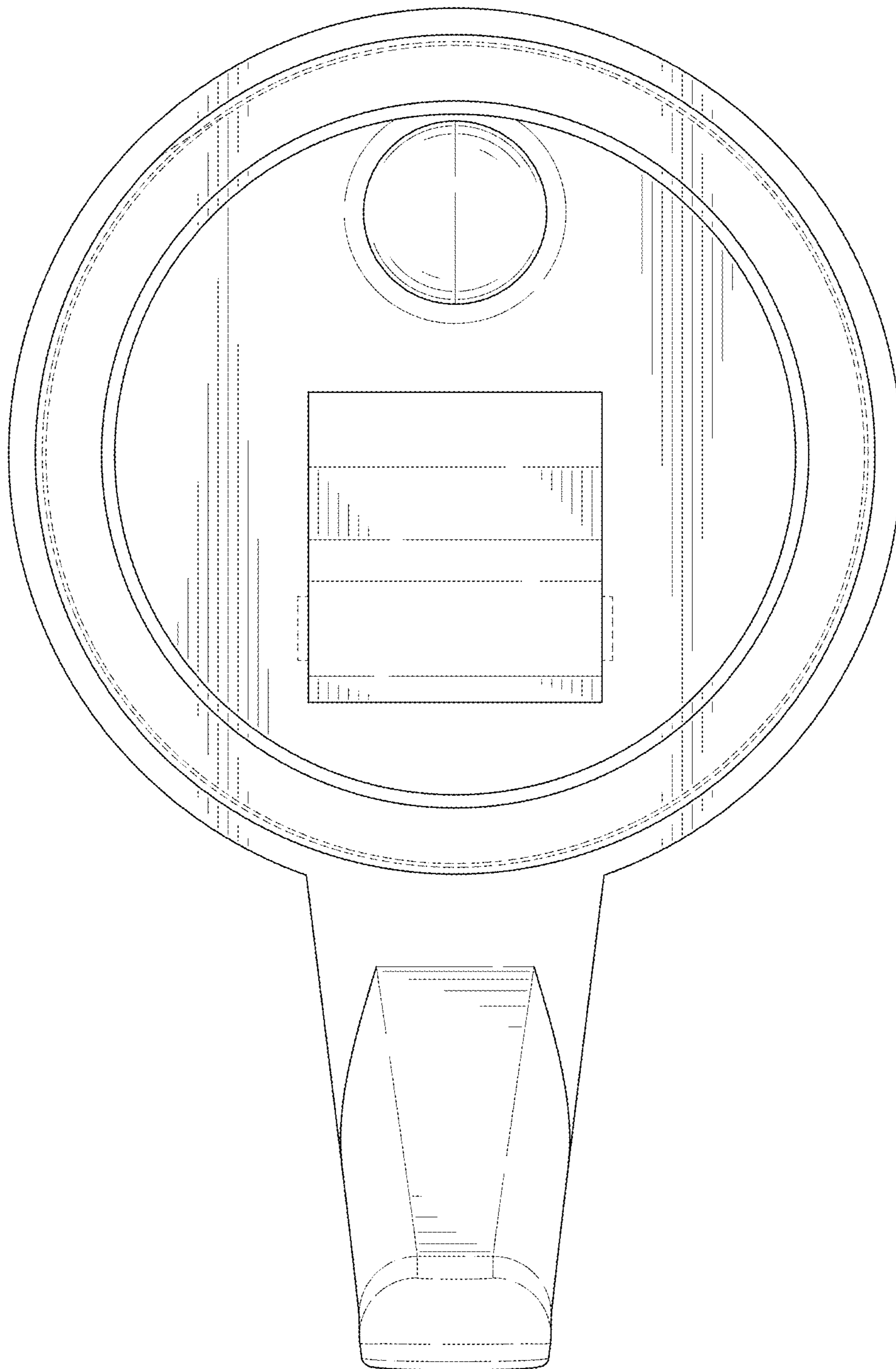


FIG. 8