



US00D985390S

(12) **United States Design Patent**
Harris et al.

(10) **Patent No.:** **US D985,390 S**

(45) **Date of Patent:** **** May 9, 2023**

(54) **CONTAINER LID**

(71) Applicant: **Base Brands, LLC**, Atlanta, GA (US)

(72) Inventors: **Jamison Corey Harris**, Brookhaven, GA (US); **Patrick Spivey**, Atlanta, GA (US); **Kenneth Kreafle**, Atlanta, GA (US)

(73) Assignee: **Base Brands, LLC**, Atlanta, GA (US)

(**) Term: **15 Years**

(21) Appl. No.: **29/825,671**

(22) Filed: **Feb. 3, 2022**

Related U.S. Application Data

(62) Division of application No. 29/754,112, filed on Oct. 6, 2020, now Pat. No. Des. 954,493.

(51) **LOC (14) Cl.** **09-07**

(52) **U.S. Cl.**
USPC **D7/392.1**; D9/443; D7/396.2

(58) **Field of Classification Search**
USPC D9/435, 439, 440, 442-449, 450, 454, D9/531, 682-694, 723; D7/321, 391, D7/392, 392.1, 396.2, 507, 509-511, 523, D7/608, 900; D6/515

CPC B65D 83/205; B65D 83/206; B65D 83/40; B65D 2543/00046; A47G 19/2272
See application file for complete search history.

(56) **References Cited**

U.S. PATENT DOCUMENTS

D935,264 S	*	11/2021	Kutlug	D7/392.1
D935,836 S	*	11/2021	Wang	D9/449
D937,036 S	*	11/2021	Shi	D7/392.1
D938,223 S	*	12/2021	Chen	D7/392.1
D938,778 S	*	12/2021	Ge	D9/450
D939,887 S	*	1/2022	Hao	D7/392.1

D939,888 S	*	1/2022	Wang	D7/392.1
D940,501 S	*	1/2022	Burga	D7/392.1
D941,086 S	*	1/2022	Zhou	D7/392.1
D941,629 S	*	1/2022	Zhou	D7/392.1
D942,208 S	*	2/2022	Lown	D9/450
D942,211 S	*	2/2022	Backs	D7/392.1
D942,212 S	*	2/2022	Zhou	D7/392.1
D942,808 S	*	2/2022	Wang	D7/392.1
D943,419 S	*	2/2022	Zhang	D9/449
D945,212 S	*	3/2022	Yao	D7/392.1
D947,597 S	*	4/2022	Shi	D7/392.1
D947,598 S	*	4/2022	Wang	D7/392.1
D948,280 S	*	4/2022	Beckwith	D7/392.1
D948,287 S	*	4/2022	Swarts	D7/511
D950,306 S	*	5/2022	Peng	D7/392.1
D954,493 S	*	6/2022	Harris	D7/392.1
D957,875 S	*	7/2022	Chen	D7/392.1
D960,637 S	*	8/2022	Zhang	D7/391
D968,881 S	*	11/2022	Huang	D7/392.1
D970,288 S	*	11/2022	Huang	D7/392.1

(Continued)

Primary Examiner — Brett Miller

Assistant Examiner — Rani J Abdallah

(74) *Attorney, Agent, or Firm* — Park, Vaughan, Fleming & Dowler LLP

(57) **CLAIM**

The ornamental design for a container lid, as shown and described.

DESCRIPTION

FIG. 1 is a top perspective view of an embodiment of our design.

FIG. 2 is a bottom perspective view of the embodiment.

FIG. 3 is a top view of the embodiment.

FIG. 4 is a bottom view of the embodiment.

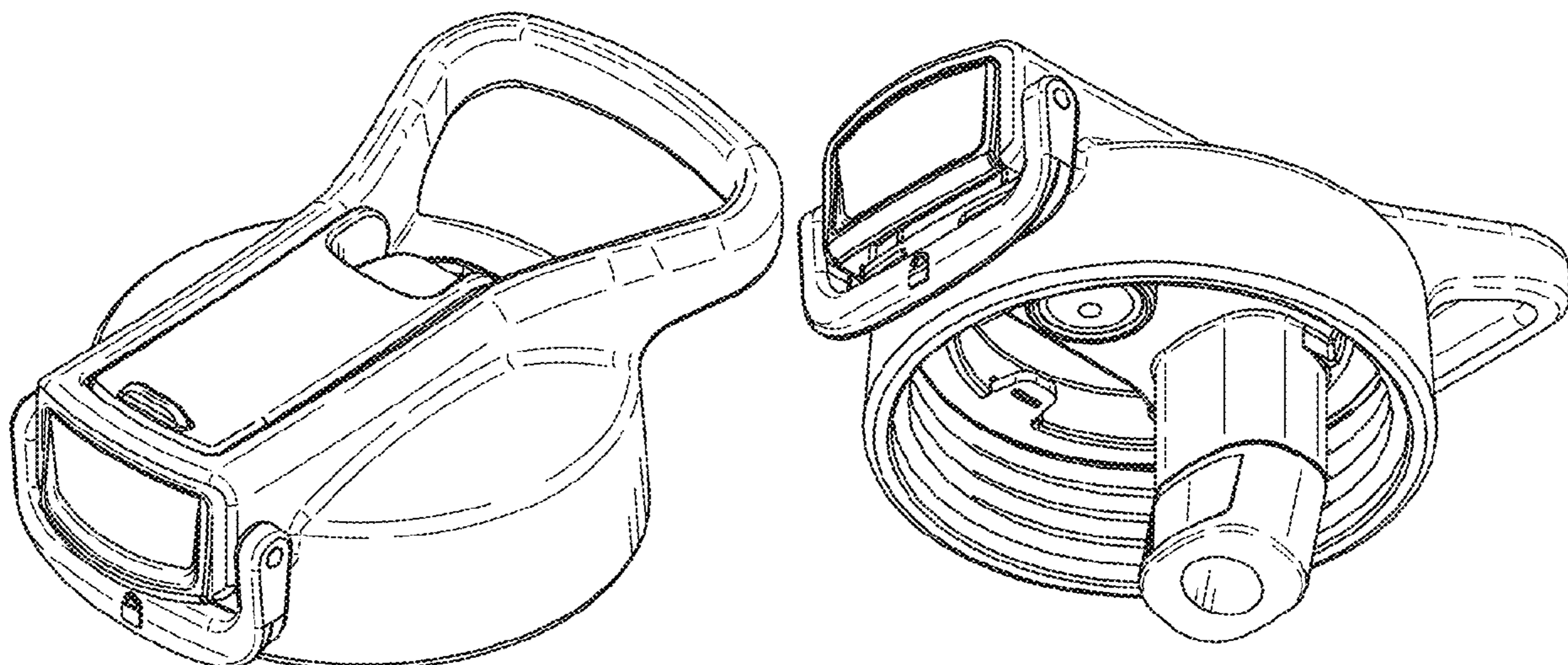
FIG. 5 is a right side view of the embodiment.

FIG. 6 is a left side view of the embodiment.

FIG. 7 is a front view of the embodiment; and,

FIG. 8 is a back view of the embodiment.

1 Claim, 2 Drawing Sheets



(56)

References Cited

U.S. PATENT DOCUMENTS

D970,289 S * 11/2022 Chen D7/392.1
D974,107 S * 1/2023 Shang D7/392.1
D974,829 S * 1/2023 Peng D7/392.1

* cited by examiner

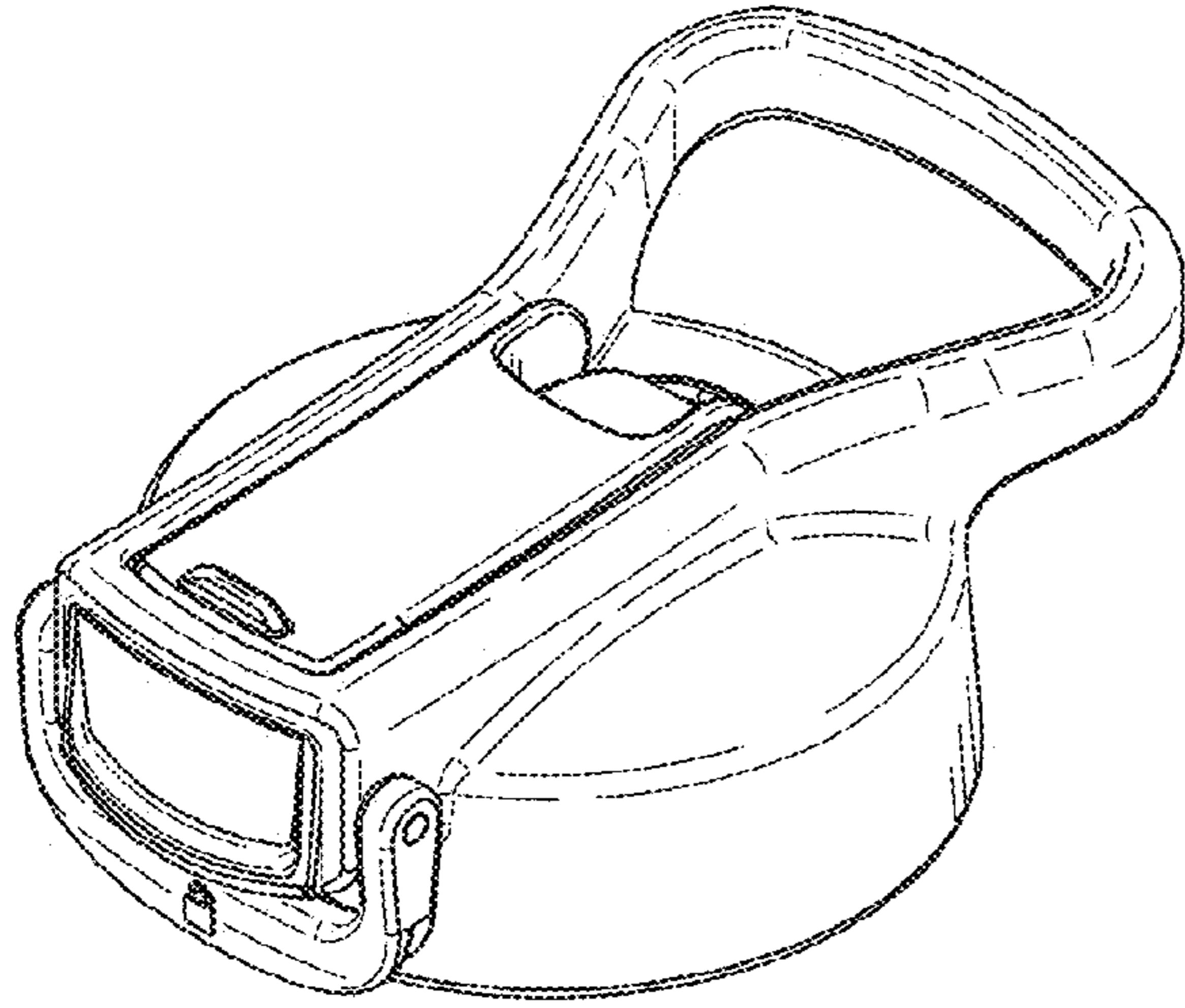


FIG. 1

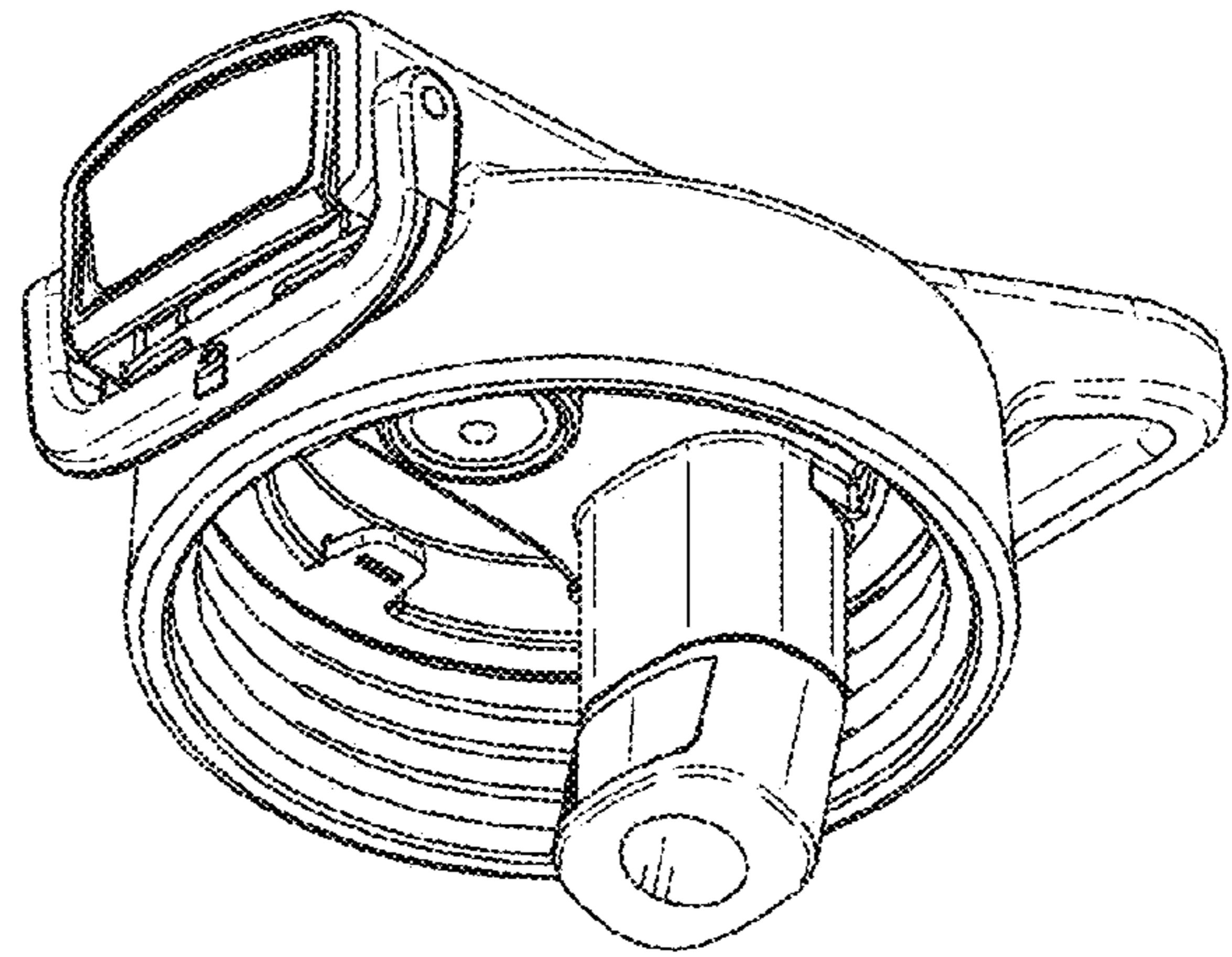


FIG. 2

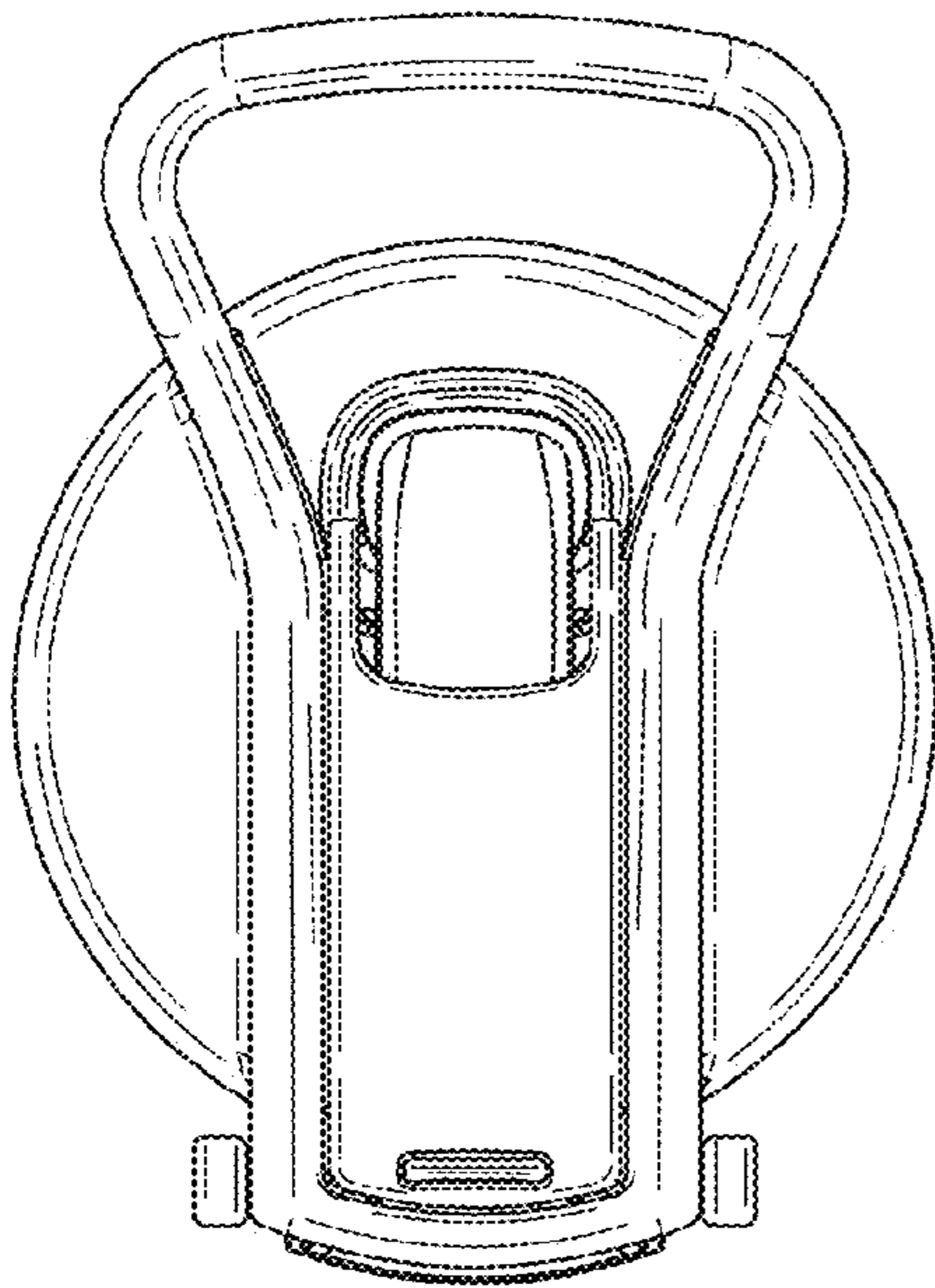


FIG. 3

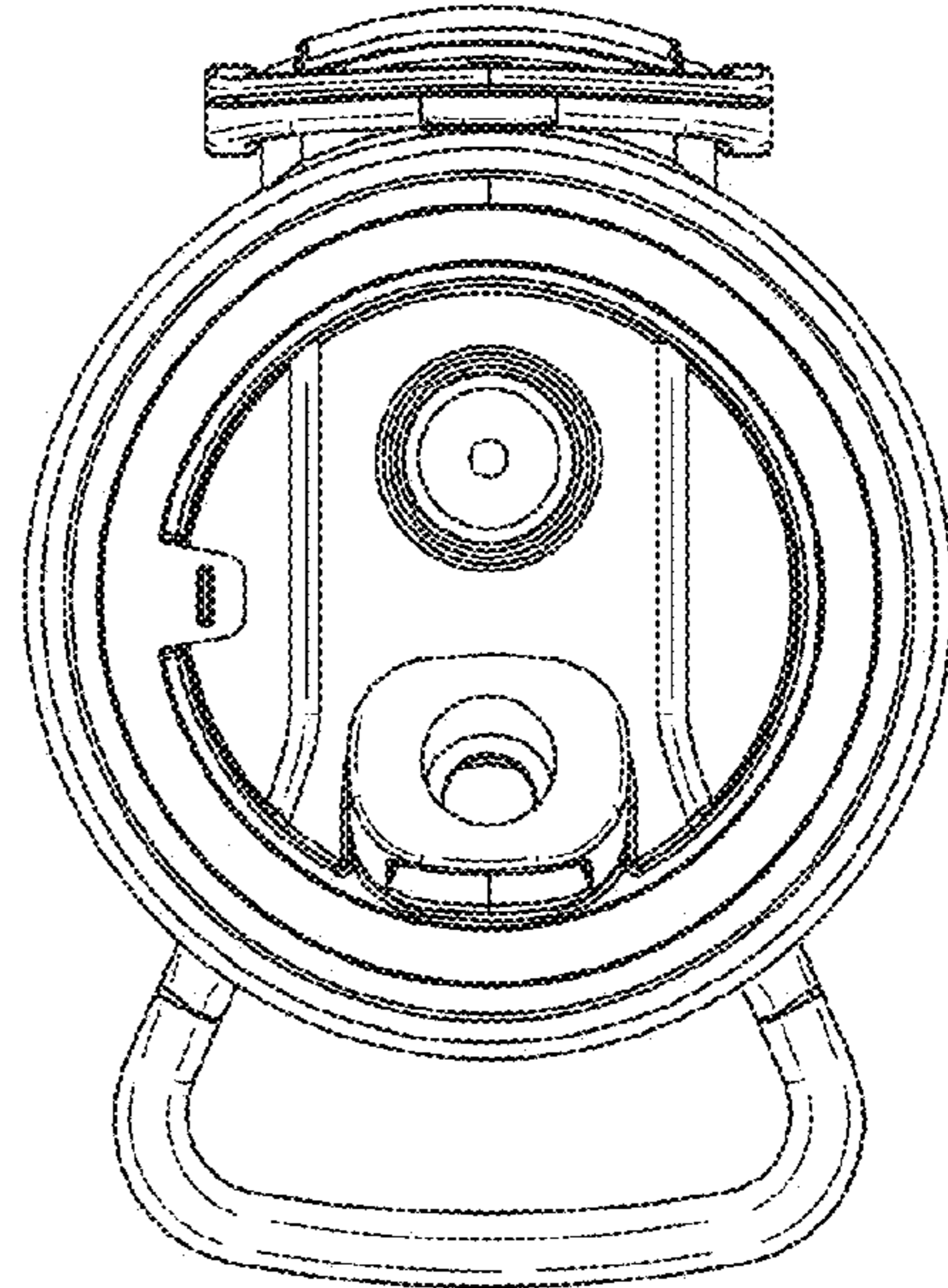


FIG. 4

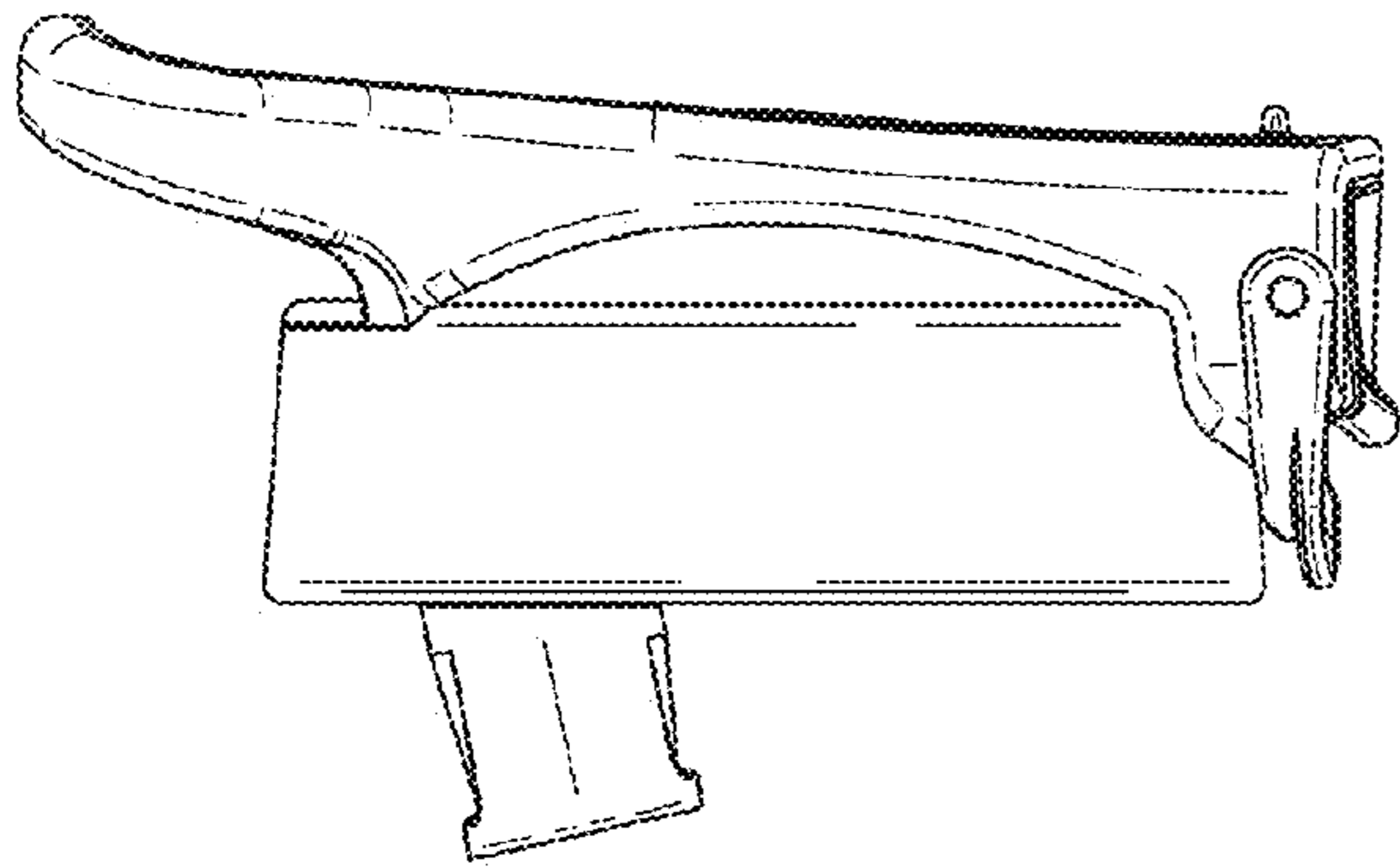


FIG. 5

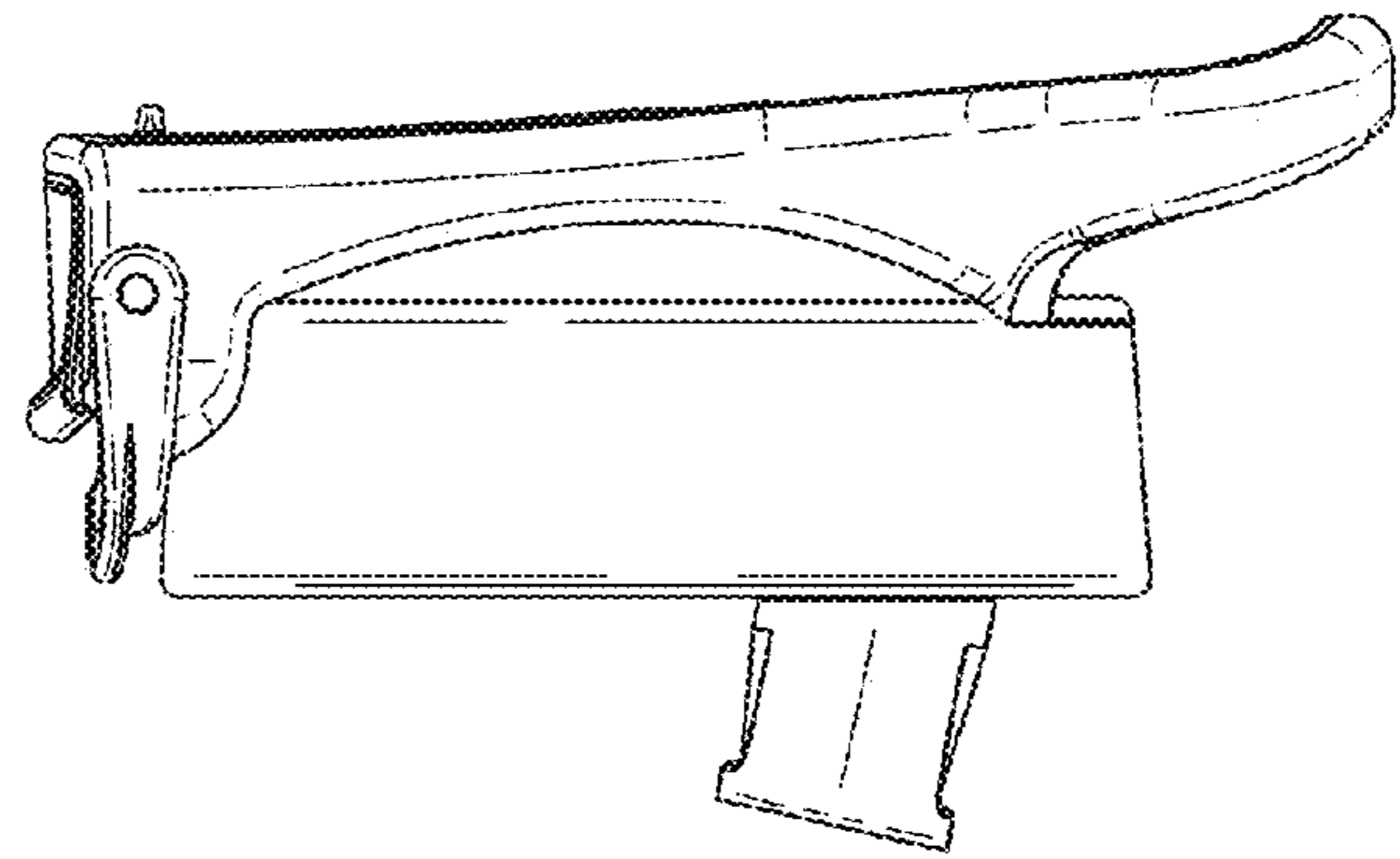


FIG. 6

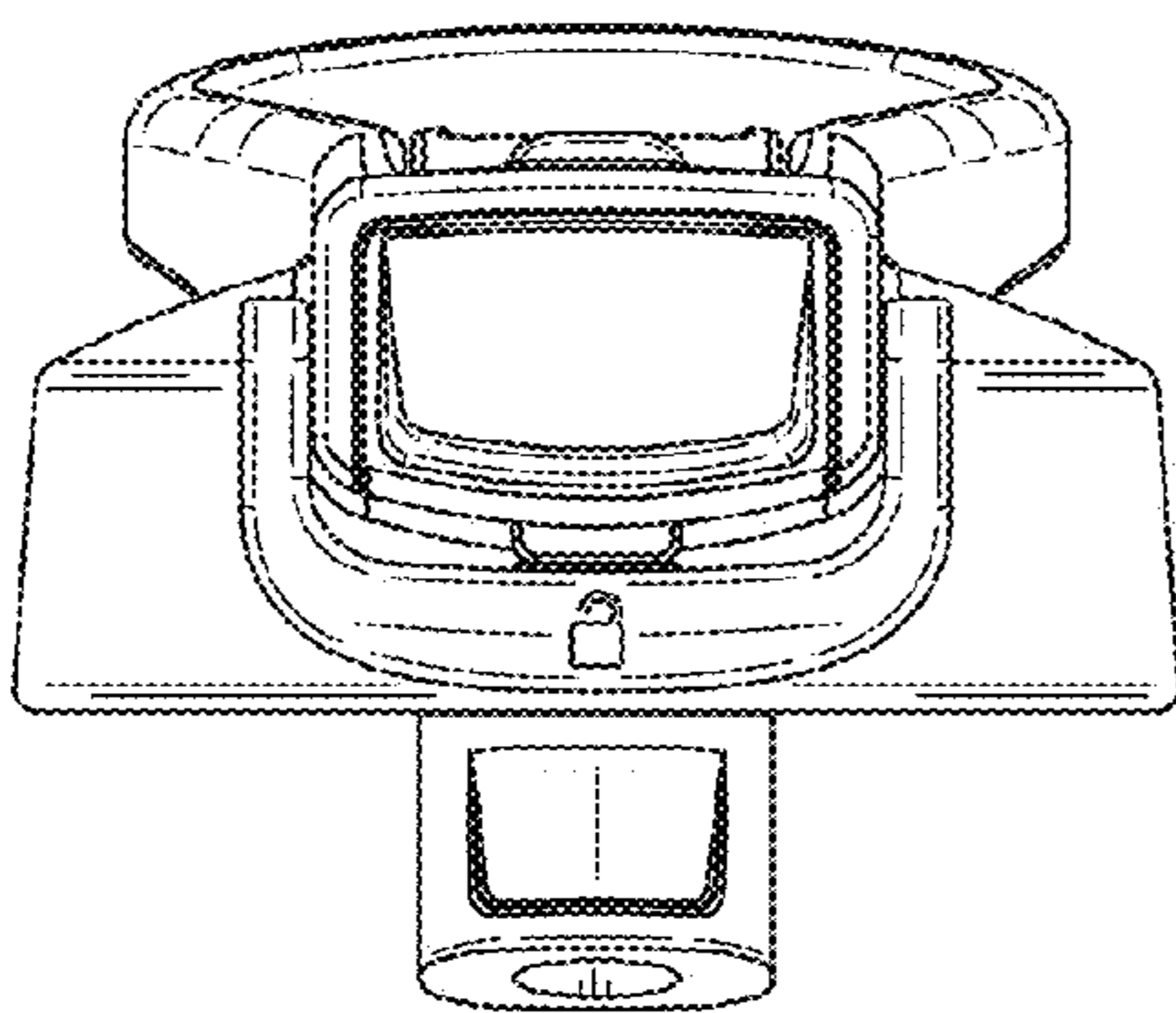


FIG. 7

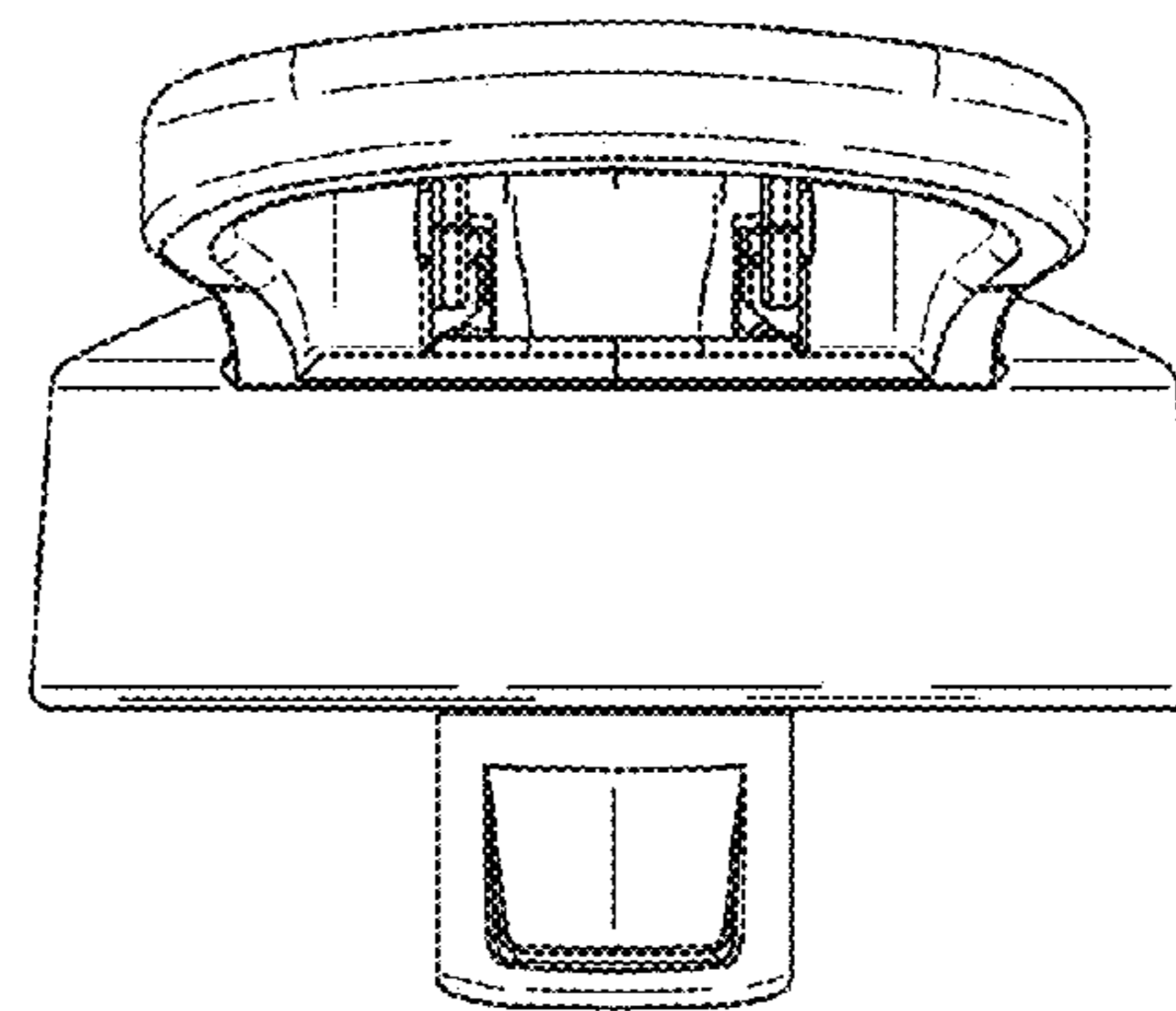


FIG. 8