



US00D985389S

(12) **United States Design Patent**  
**Laible**

(10) **Patent No.:** **US D985,389 S**

(45) **Date of Patent:** **\*\* May 9, 2023**

(54) **SINGLE DRAW CONTAINER INSERT  
HAVING TWO METERED FLOW  
DISCHARGE OUTLETS**

(71) Applicant: **Rodney Laible**, Omaha, NE (US)

(72) Inventor: **Rodney Laible**, Omaha, NE (US)

(\*\*) Term: **15 Years**

(21) Appl. No.: **29/810,815**

(22) Filed: **Oct. 8, 2021**

(51) **LOC (14) Cl.** ..... **07-06**

(52) **U.S. Cl.**  
USPC ..... **D9/440**

(58) **Field of Classification Search**  
USPC ..... D9/434-436, 439, 440, 443, 447, 449,  
D9/499, 702, 703, 705, 708, 720, 454;  
D7/387, 397, 398; D23/260  
CPC ..... B65B 7/00; B65B 51/00; B65B 51/043;  
B65B 51/046; B65B 7/28; B65D 31/14;  
B65D 33/00; B65D 33/01; B65D 33/16;  
B65D 39/00; B65D 41/00; B65D 45/00;  
B65D 45/02; B65D 45/04; B65D 77/10;  
B65D 77/067; B65D 77/068; B65D  
77/225

See application file for complete search history.

(56) **References Cited**

**U.S. PATENT DOCUMENTS**

D216,678 S *	3/1970	Wilcox	.....	D9/439
D227,878 S *	7/1973	Meyer	.....	D9/504
D248,545 S *	7/1978	Summers	.....	D9/439
D292,232 S *	10/1987	Forman	.....	D9/434
D429,111 S *	8/2000	Busick	.....	D7/397
D447,410 S *	9/2001	Malmborg	.....	D9/434
D448,974 S *	10/2001	Hydak	.....	D7/397
D501,138 S *	1/2005	Uchiyama	.....	D9/439
D507,742 S *	7/2005	Haggard	.....	D9/434
D567,084 S *	4/2008	Batton	.....	D9/440

D708,945 S *	7/2014	Jetmar	.....	D9/439
D713,247 S *	9/2014	Webster	.....	D9/454
D751,394 S *	3/2016	Chartier	.....	D9/440
D753,489 S *	4/2016	Shaw	.....	D9/454
D779,325 S *	2/2017	Vigoureux	.....	D9/443
D823,115 S *	7/2018	Walker	.....	D9/447
D829,065 S *	9/2018	Marantis	.....	D9/447
D856,073 S *	8/2019	Reed	.....	D7/397
D859,986 S *	9/2019	Marantis	.....	B65D 81/2038 D9/439
10,414,644 B1 *	9/2019	Laible	.....	B67D 7/0478
D867,884 S *	11/2019	Byron	.....	D9/454
D874,276 S *	2/2020	Byron	.....	D9/453
D881,709 S *	4/2020	Accurso	.....	D9/454
10,640,359 B1 *	5/2020	Laible	.....	B65D 47/32
D886,609 S *	6/2020	Accurso	.....	D9/454
D912,461 S *	3/2021	Mendez	.....	D7/392.1
10,961,027 B1 *	3/2021	Laible	.....	B05B 1/14

(Continued)

*Primary Examiner* — Wendy L Arminio

(74) *Attorney, Agent, or Firm* — McGrath North Mullin  
& Kratz, PC LLO; Luke C. Holst

(57) **CLAIM**

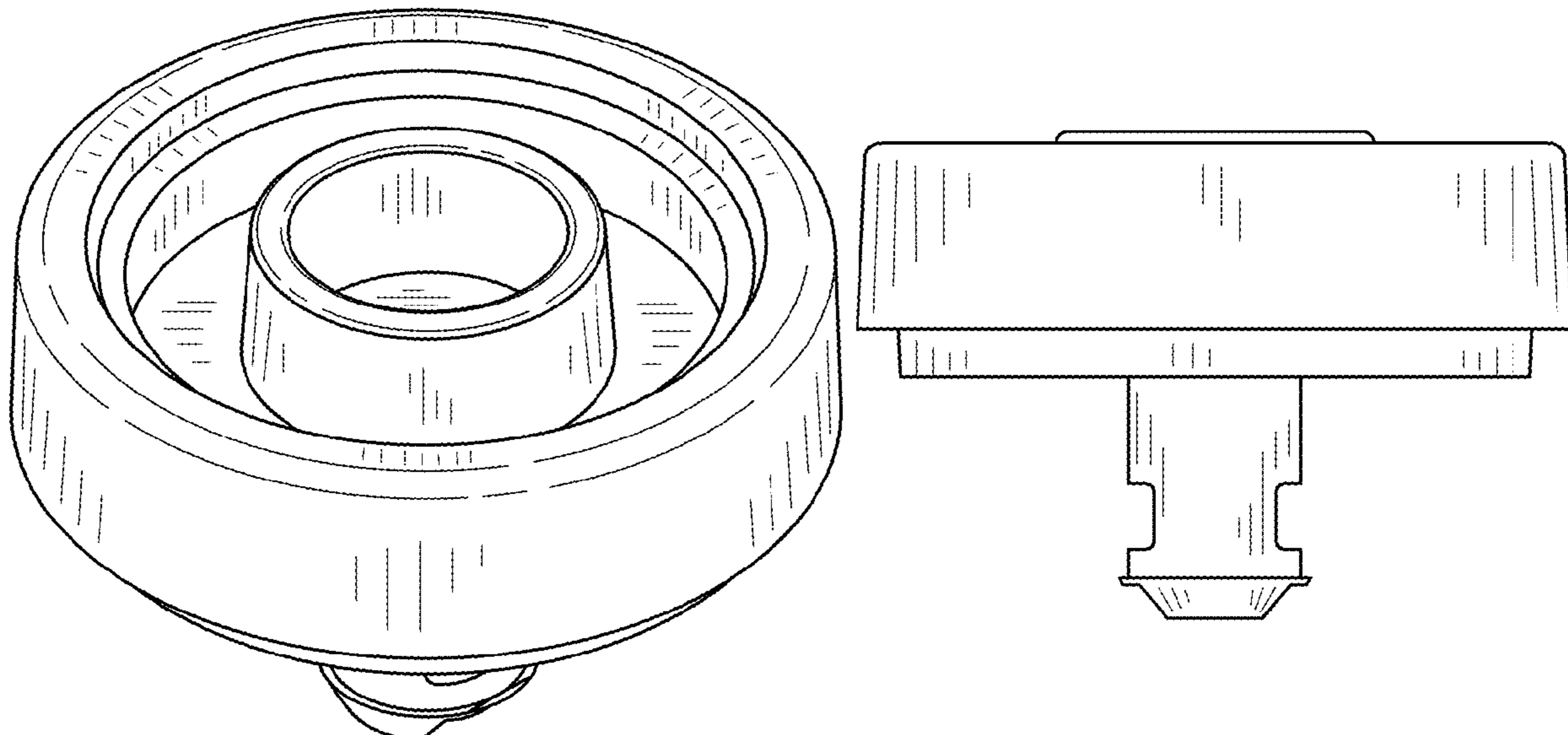
The ornamental design for a single draw container insert having two metered flow discharge outlets, as shown and described.

**DESCRIPTION**

FIG. 1 is an upper perspective view of a single draw container insert having two metered flow discharge outlets; FIG. 2 is a top view thereof; FIG. 3 is a first side view thereof; FIG. 4 is a second side view thereof; FIG. 5 is a third side view thereof; FIG. 6 is a fourth side view thereof; and, FIG. 7 is a bottom view thereof.

The broken lines depict portions of the single draw container insert having two metered flow discharge outlets that form no part of the claimed design.

**1 Claim, 3 Drawing Sheets**



(56)

**References Cited**

U.S. PATENT DOCUMENTS

11,034,495 B2 \* 6/2021 Accurso ..... B65D 51/002  
D936,734 S \* 11/2021 Jin ..... D9/434  
D947,025 S \* 3/2022 Diaz ..... D9/439  
11,535,430 B1 \* 12/2022 Laible ..... B05B 1/14  
2014/0263316 A1 \* 9/2014 Accurso ..... B65D 51/24  
220/210  
2018/0295967 A1 \* 10/2018 Byeon ..... B65D 47/00

\* cited by examiner

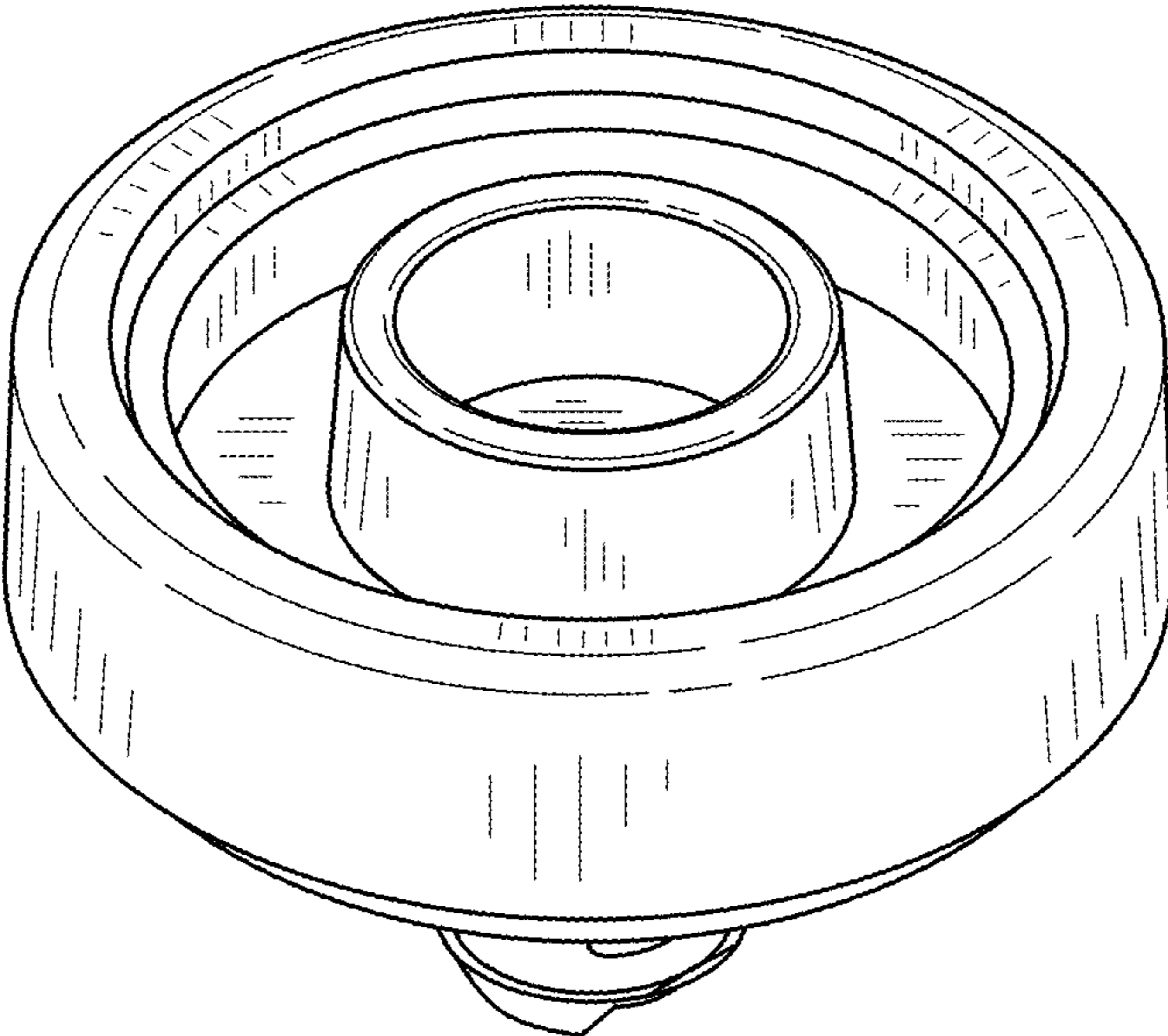


FIG. 1

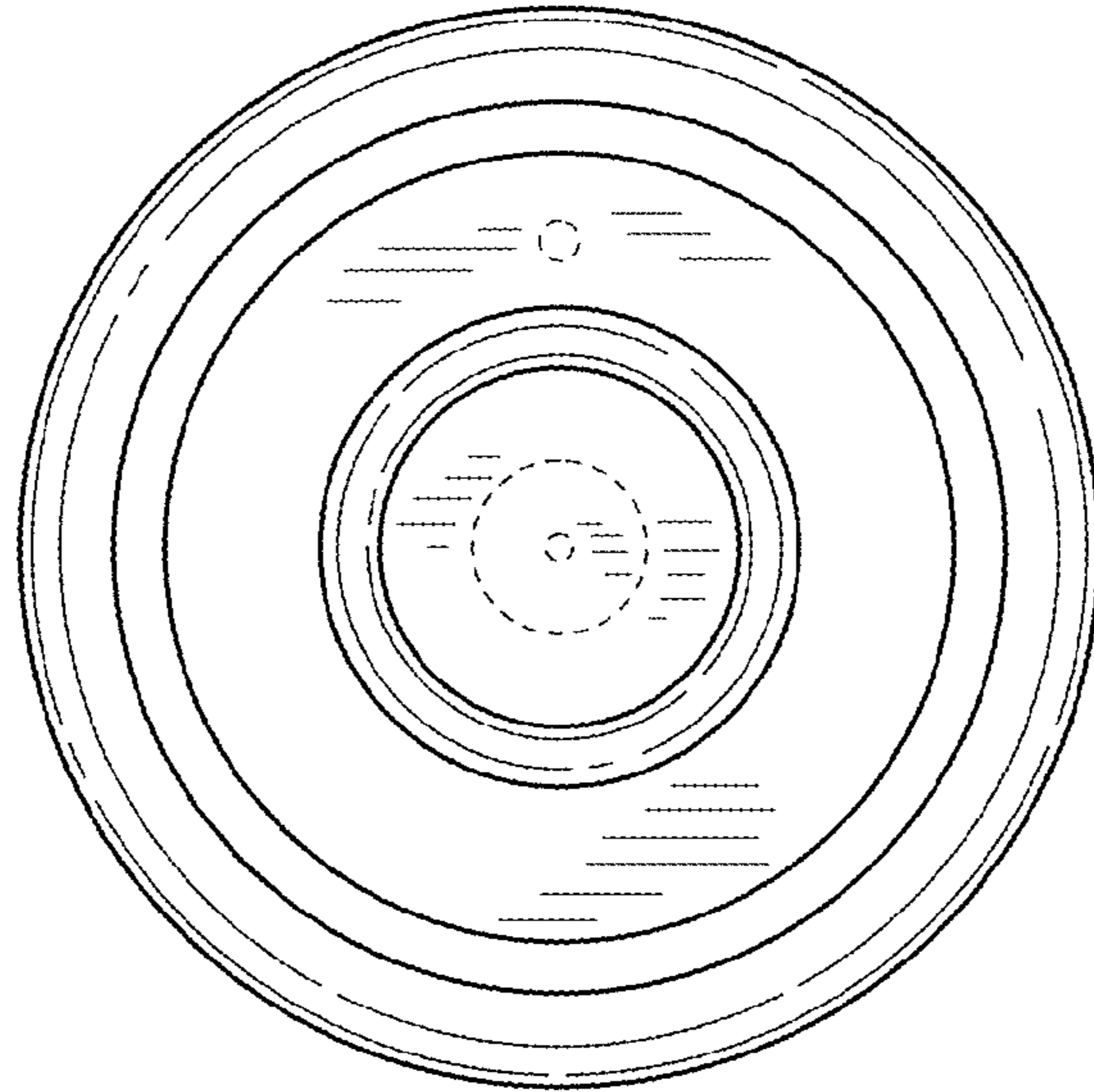


FIG. 2

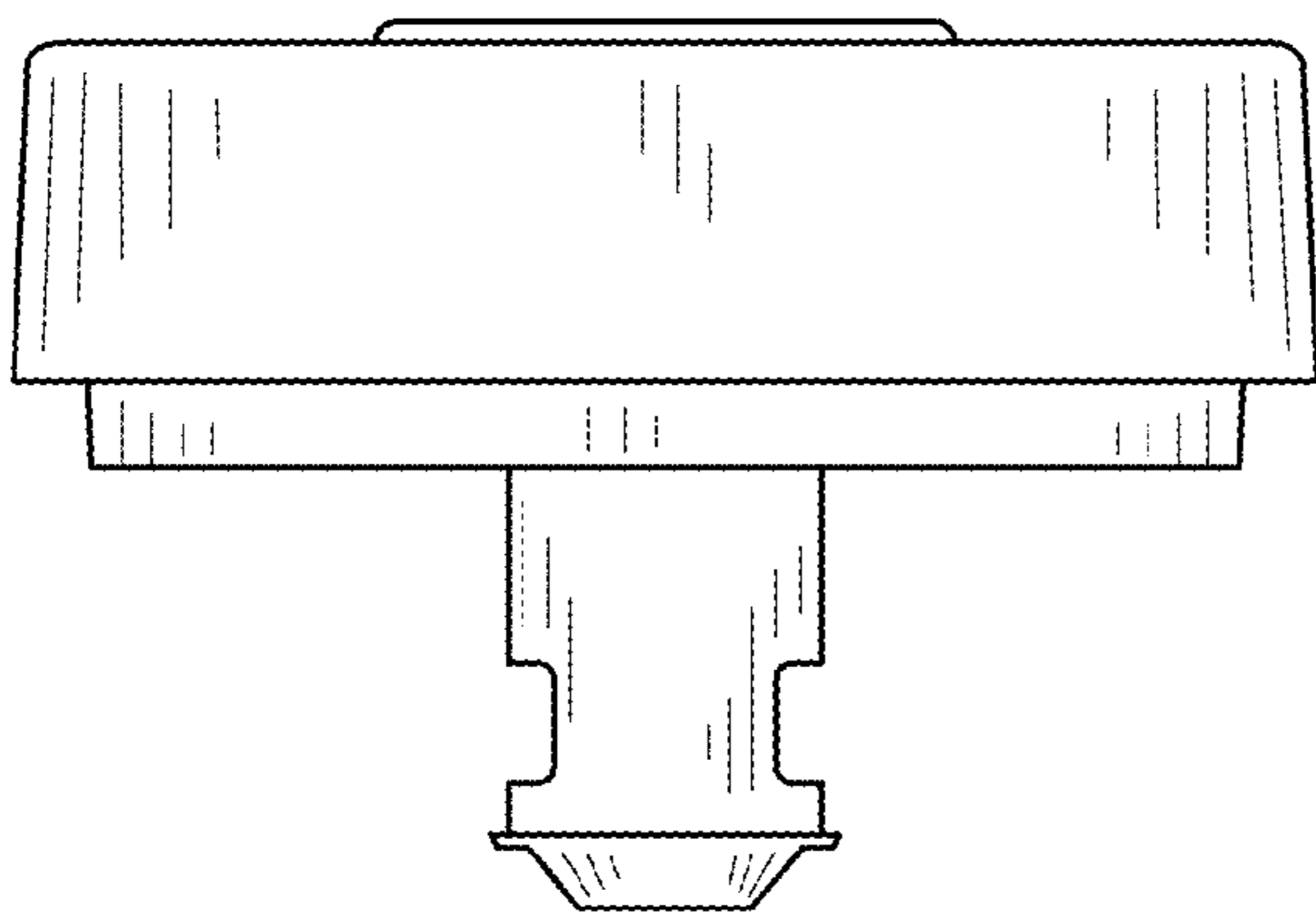


FIG. 3

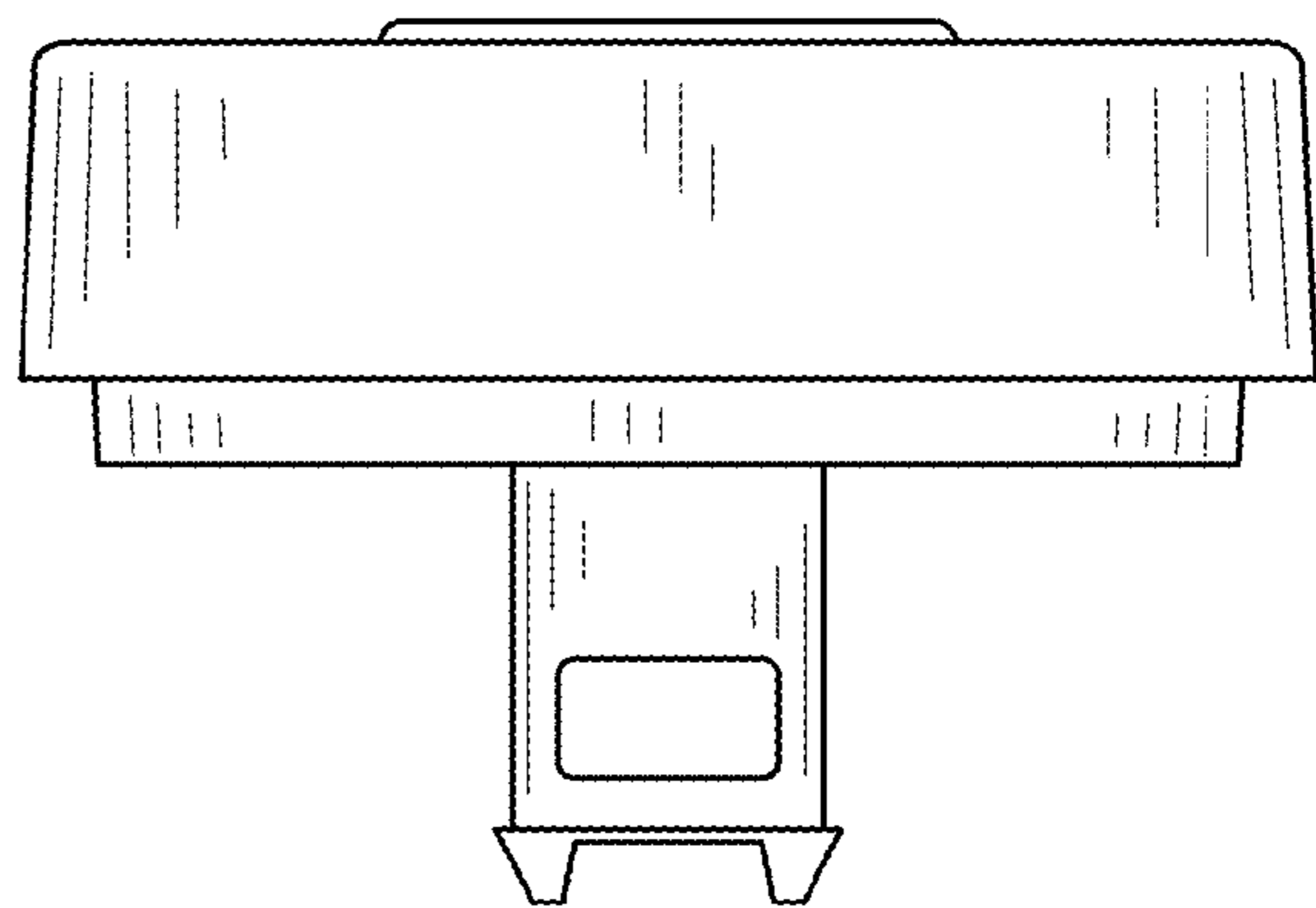


FIG. 4

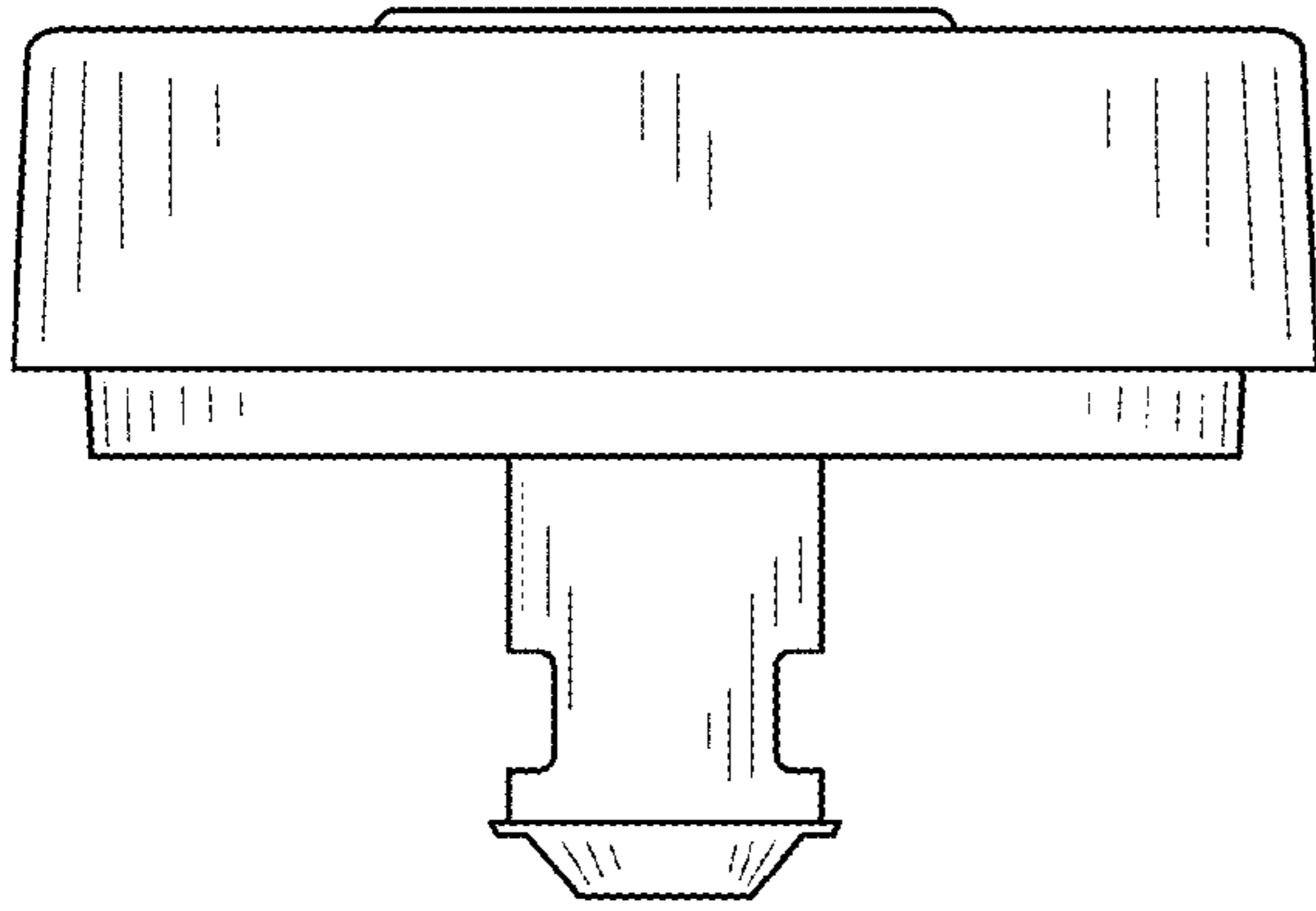


FIG. 5

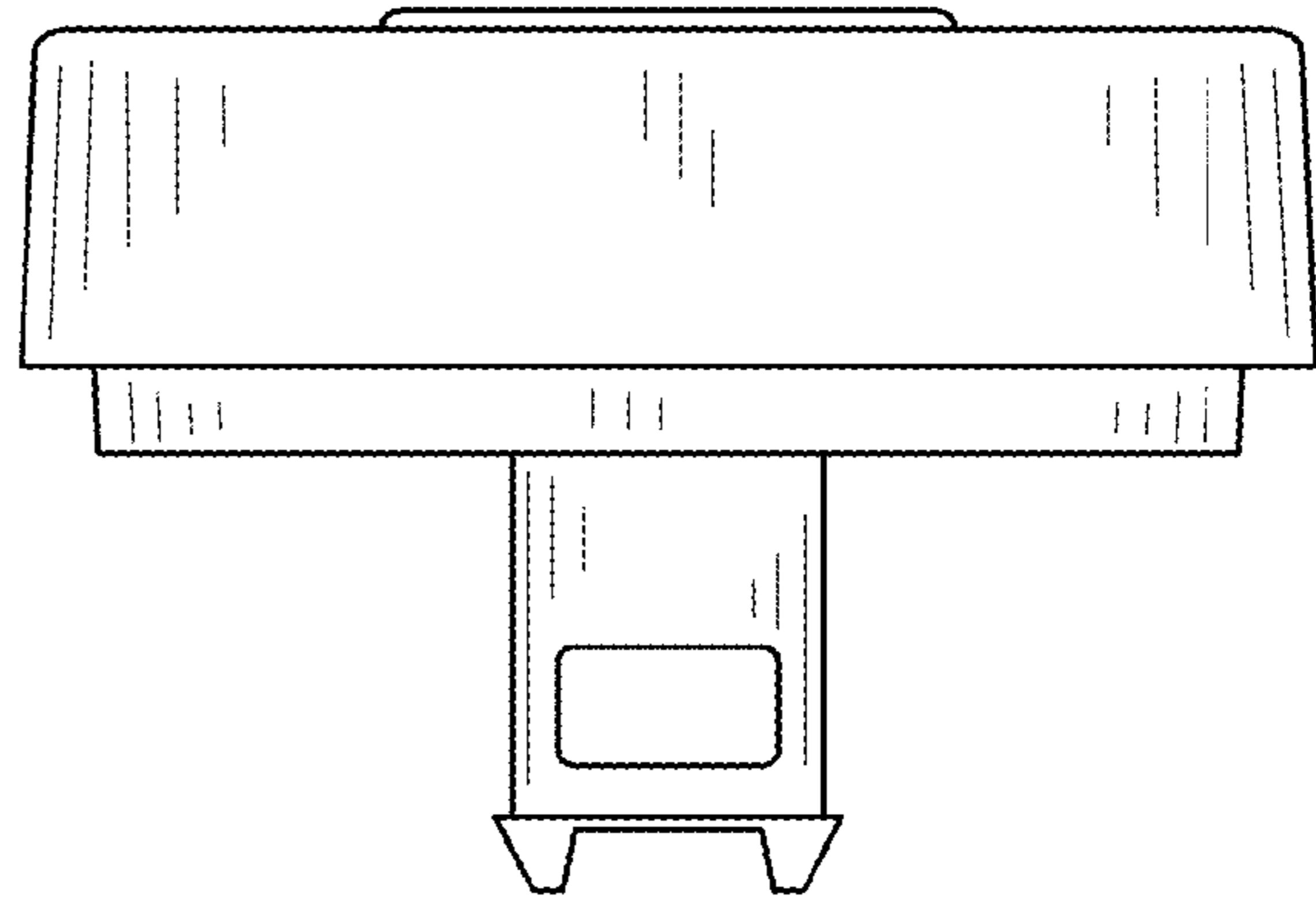


FIG. 6

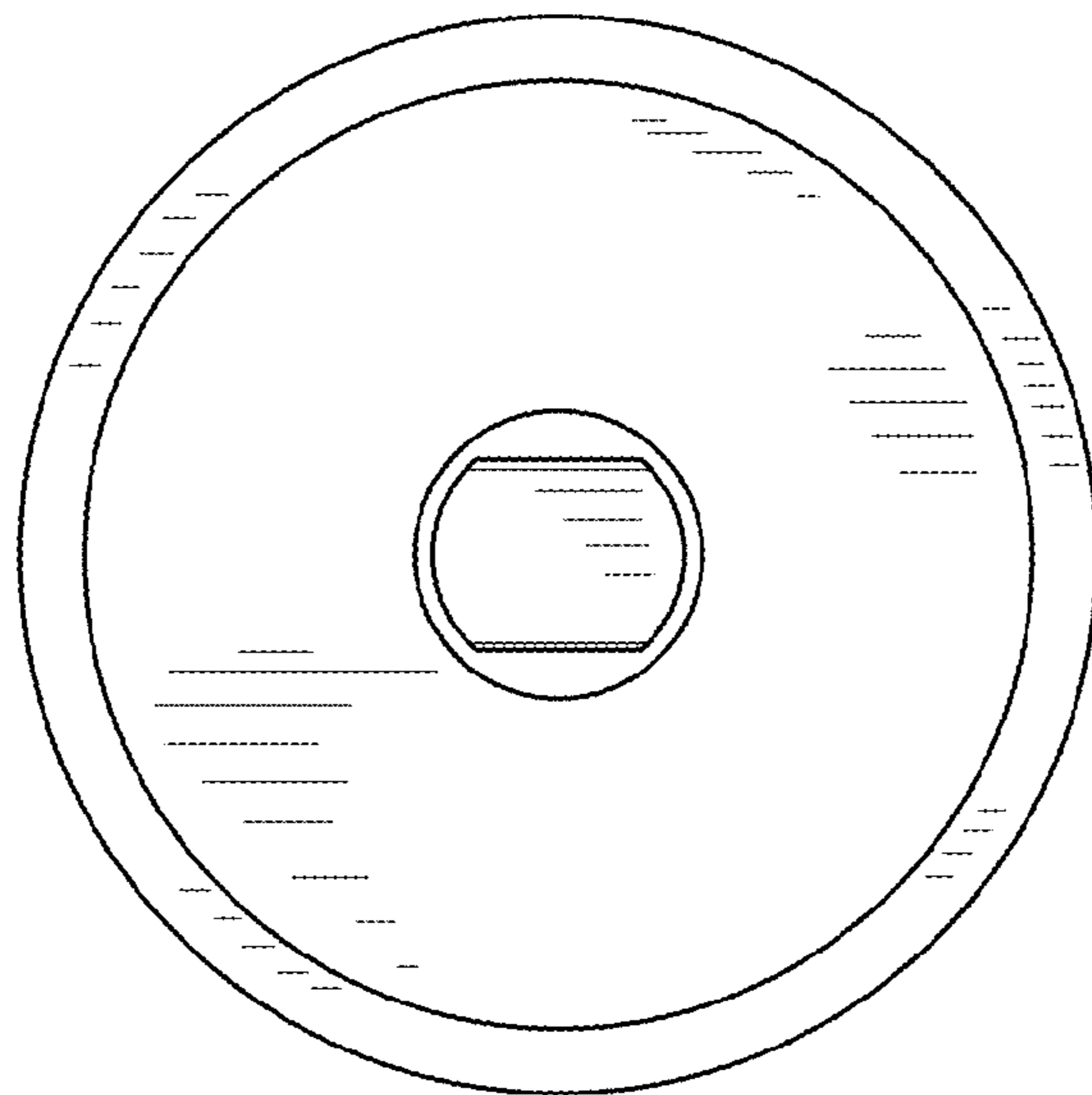


FIG. 7