



US00D985388S

(12) **United States Design Patent**
Laible

(10) **Patent No.:** **US D985,388 S**

(45) **Date of Patent:** **** May 9, 2023**

(54) **COMPONENT FOR A SINGLE DRAW
CONTAINER INSERT HAVING TWO
METERED FLOW OUTLETS**

(71) Applicant: **Rodney Laible**, Omaha, NE (US)

(72) Inventor: **Rodney Laible**, Omaha, NE (US)

(**) Term: **15 Years**

(21) Appl. No.: **29/810,811**

(22) Filed: **Oct. 8, 2021**

(51) **LOC (14) Cl.** **07-06**

(52) **U.S. Cl.**
USPC **D9/440**

(58) **Field of Classification Search**

USPC D9/434-436, 439, 440, 443, 447, 449,
D9/499, 702, 703, 705, 708, 720, 454;
D7/387, 397, 398; D23/260
CPC B65B 7/00; B65B 51/00; B65B 51/043;
B65B 51/046; B65B 7/28; B65D 31/14;
B65D 33/00; B65D 33/01; B65D 33/16;
B65D 39/00; B65D 41/00; B65D 45/00;
B65D 45/02; B65D 45/04; B65D 77/10;
B65D 77/067; B65D 77/068; B65D
77/225

See application file for complete search history.

(56) **References Cited**

U.S. PATENT DOCUMENTS

D227,878 S *	7/1973	Meyer	D9/504
D310,028 S *	8/1990	Brandt	D9/434
D363,665 S *	10/1995	Goto	D9/434
D411,954 S *	7/1999	Williamson	D9/440
D429,111 S *	8/2000	Busick	D7/397
D447,410 S *	9/2001	Malmborg	D9/434
D448,974 S *	10/2001	Hydak	D7/397
D501,138 S *	1/2005	Uchiyama	D9/439
D507,742 S *	7/2005	Haggard	D9/434
D518,373 S *	4/2006	Schulthess	D9/434

D708,945 S *	7/2014	Jetmar	D9/439
D713,247 S *	9/2014	Webster	D9/454
D715,143 S *	10/2014	Hewitt	D9/439
D751,394 S *	3/2016	Chartier	D9/440
D757,547 S *	5/2016	Biswas	D9/454
D772,707 S *	11/2016	Accurso	B01L 3/523 D9/447
D808,819 S *	1/2018	Gillman	D9/702
D829,065 S *	9/2018	Marantis	D9/447
D856,073 S *	8/2019	Reed	D7/397
D859,986 S *	9/2019	Marantis	B65D 81/2038 D9/439
D876,186 S *	2/2020	Marantis	D9/447
D881,708 S *	4/2020	Accurso	D9/454
10,961,027 B1 *	3/2021	Laible	B05B 1/14
11,034,495 B2 *	6/2021	Accurso	B65D 51/002
D936,734 S *	11/2021	Jin	D9/434
11,535,430 B1 *	12/2022	Laible	B05B 1/14
2014/0263316 A1 *	9/2014	Accurso	B65D 51/24 220/210

* cited by examiner

Primary Examiner — Wendy L Arminio

(74) *Attorney, Agent, or Firm* — McGrath North Mullin
& Kratz, PC LLO; Luke C. Holst

(57) **CLAIM**

The ornamental design for a component for a single draw container insert having two metered flow outlets, as shown and described.

DESCRIPTION

FIG. 1 is an upper perspective view of a component for a single draw container insert having two metered flow outlets;

FIG. 2 is a top view thereof;

FIG. 3 is a first side view thereof;

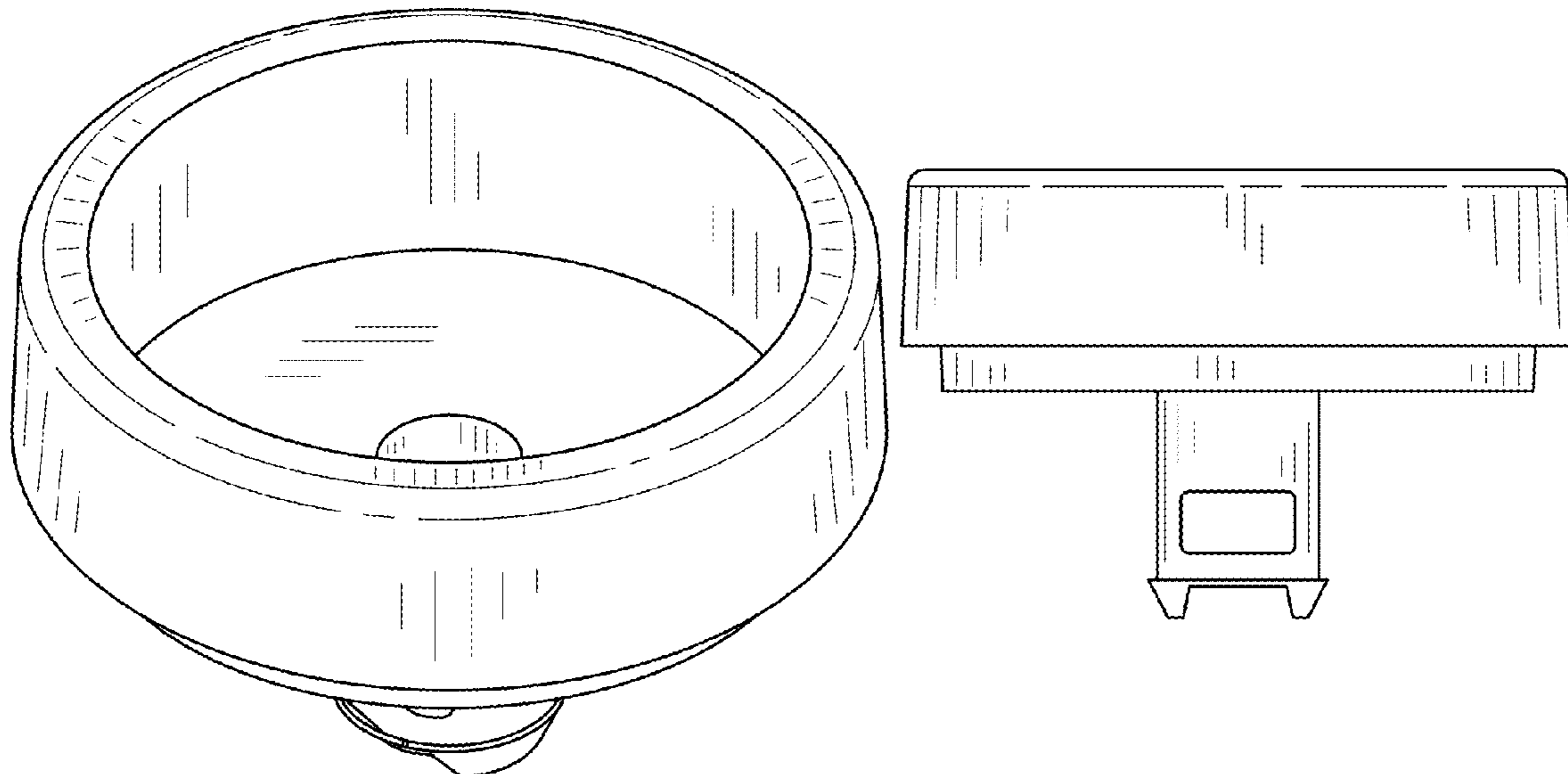
FIG. 4 is a second side view thereof;

FIG. 5 is a third side view thereof;

FIG. 6 is a fourth side view thereof; and,

FIG. 7 is a bottom view thereof.

1 Claim, 3 Drawing Sheets



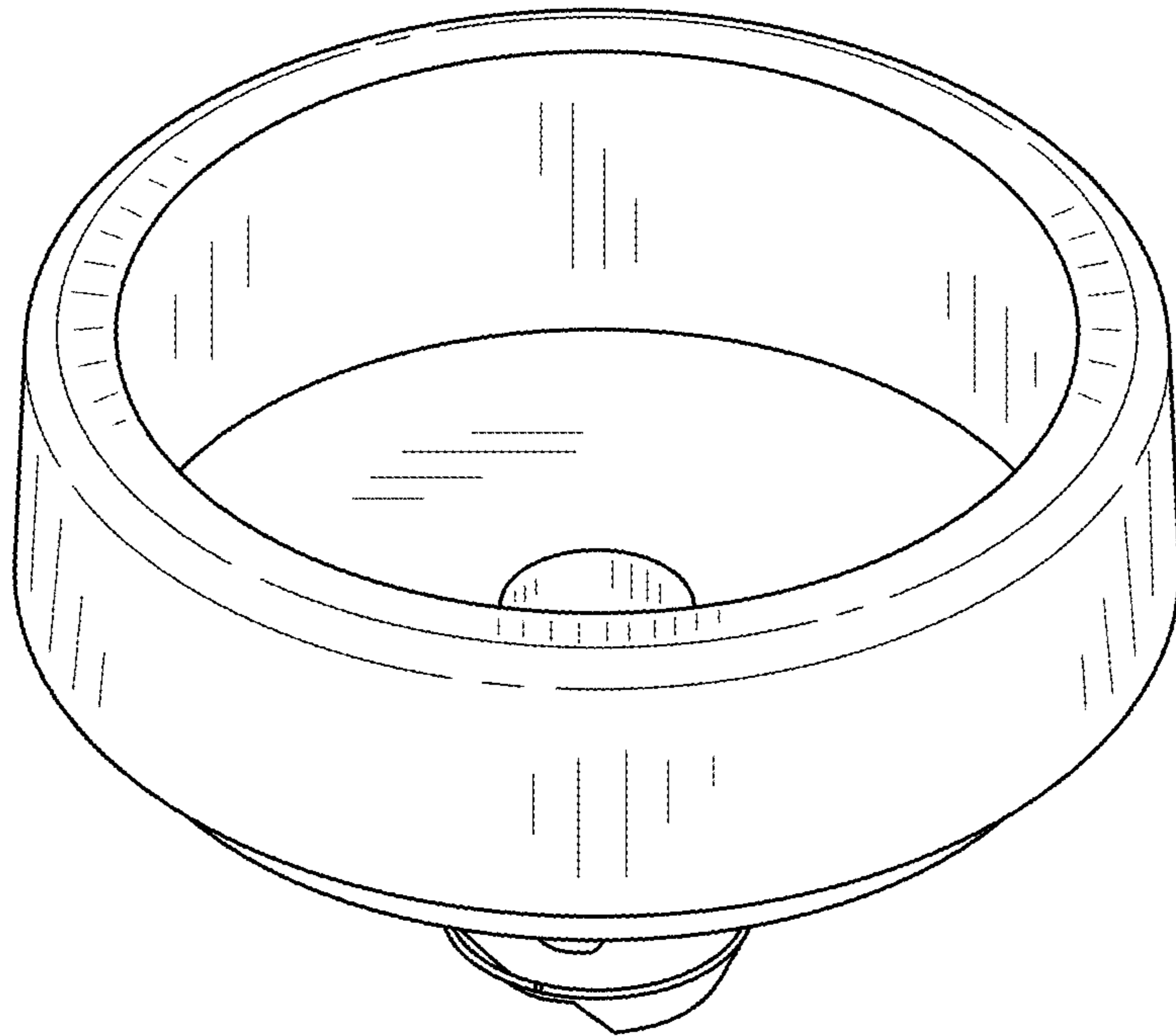


FIG. 1

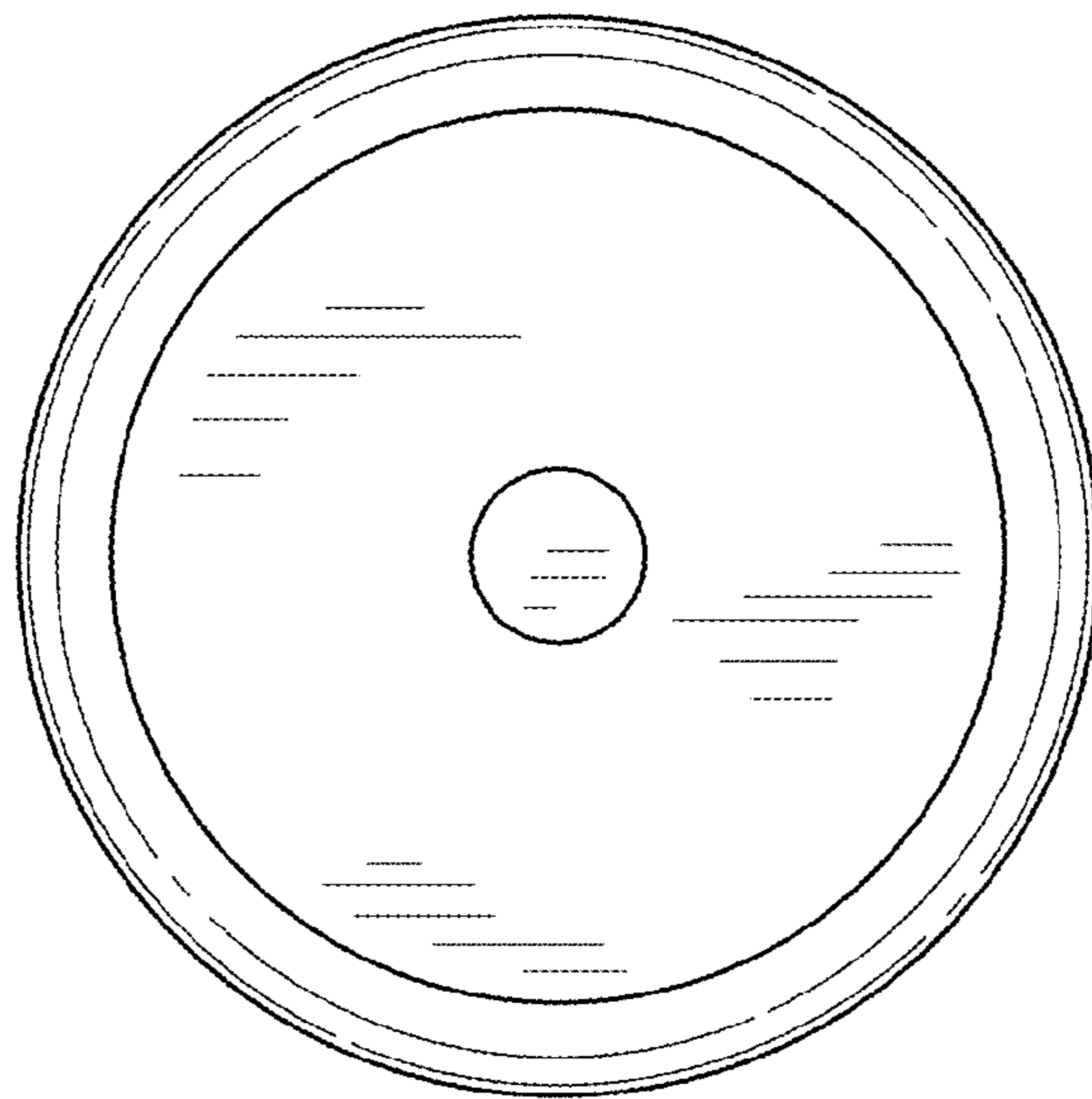


FIG. 2

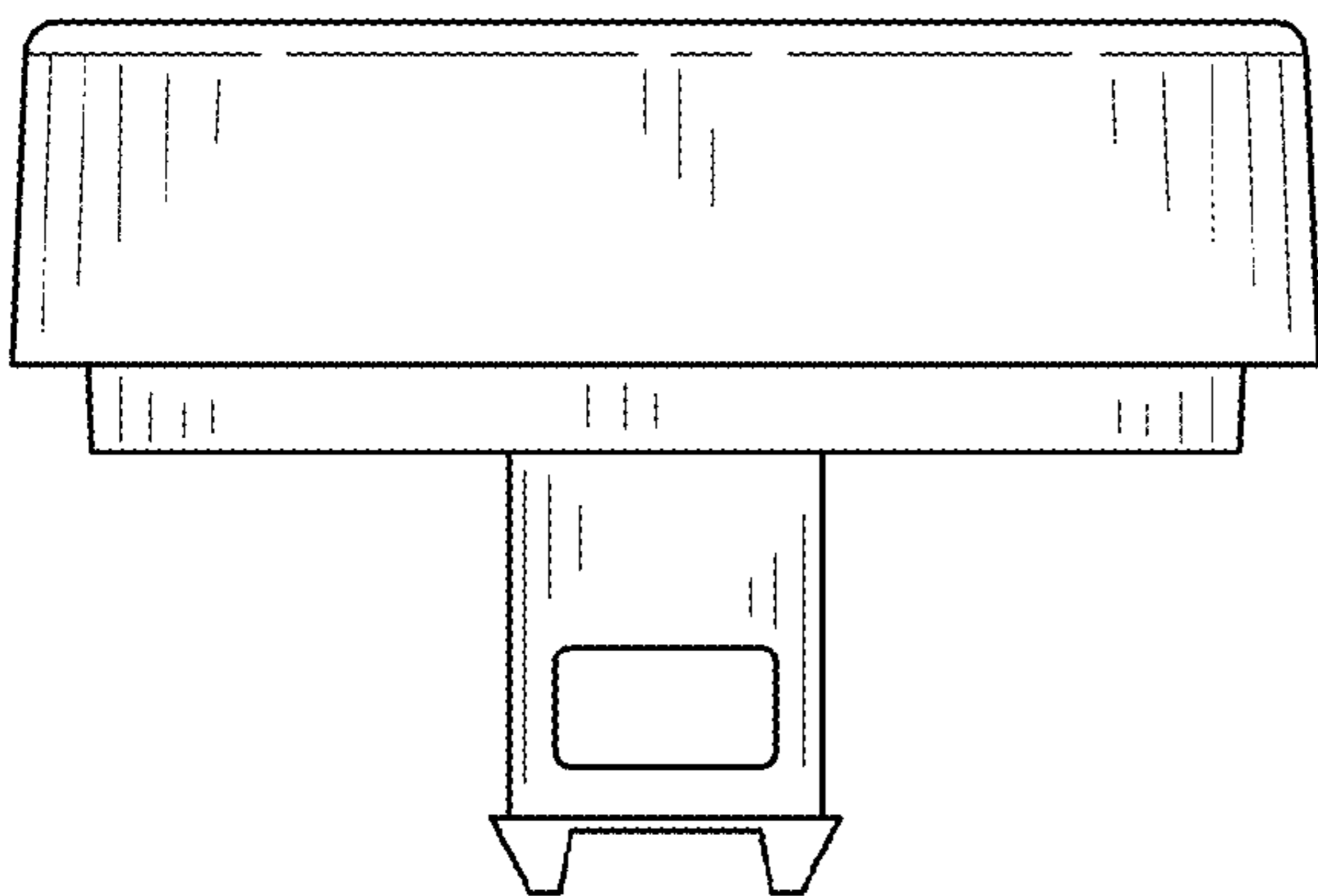


FIG. 3

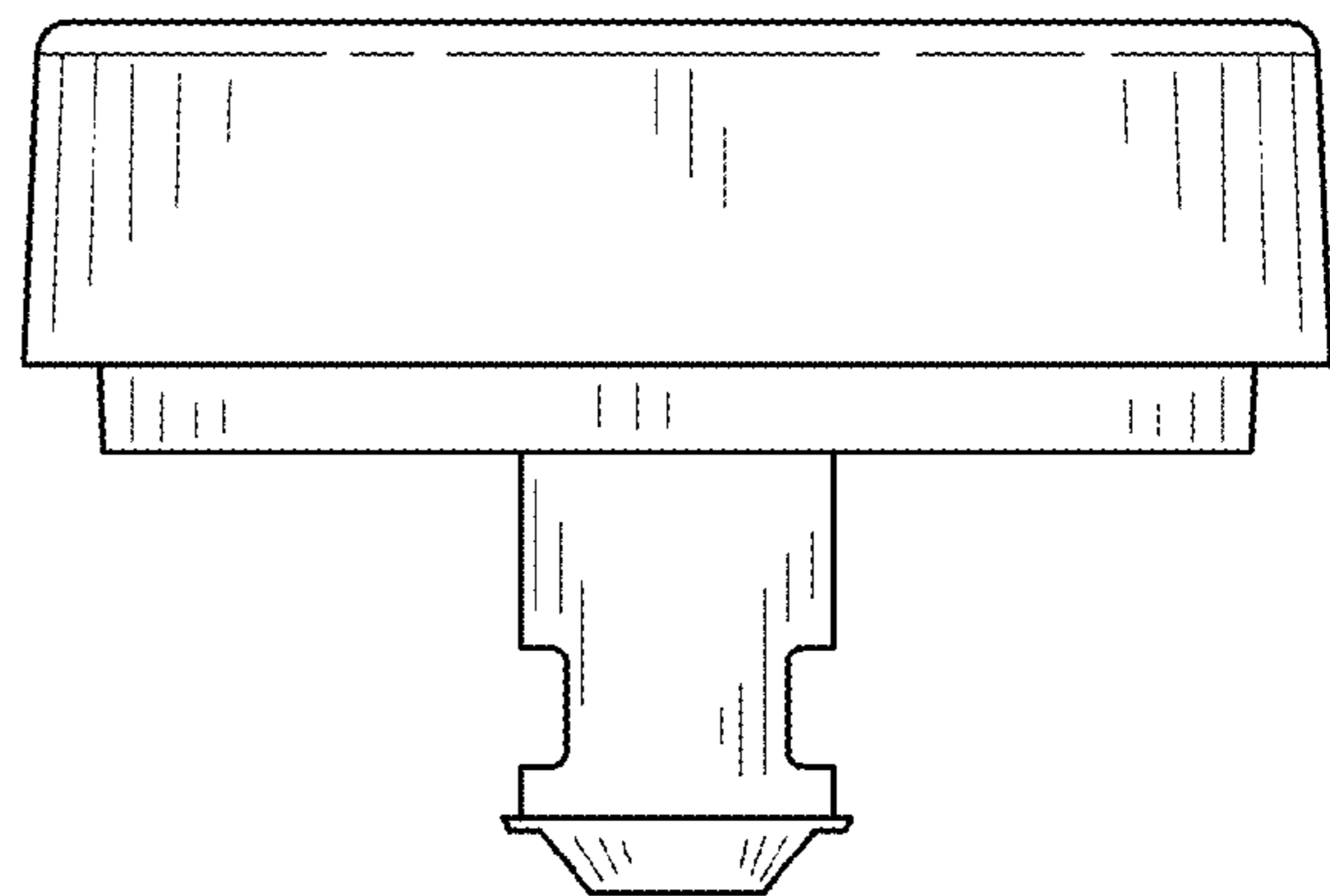


FIG. 4

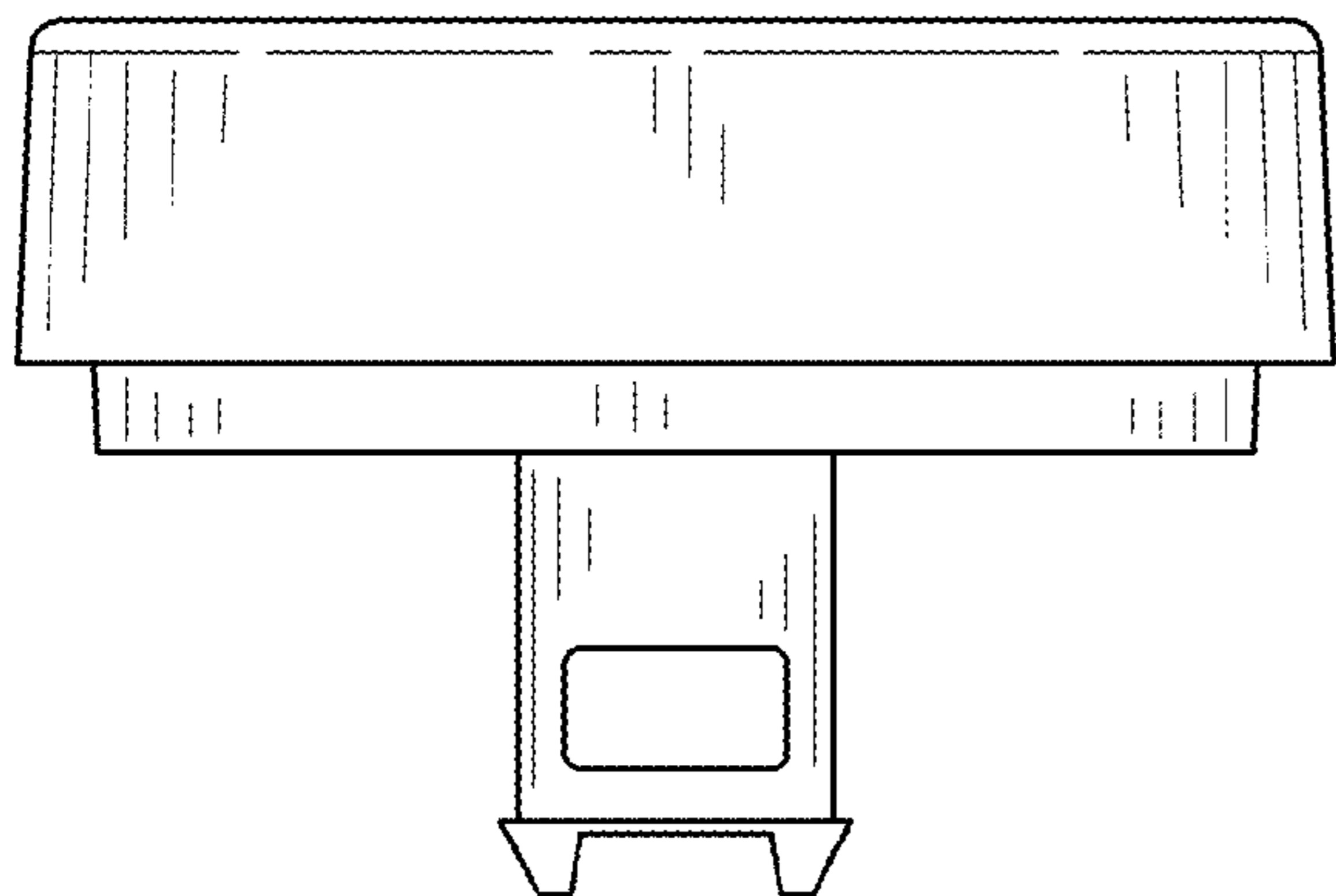


FIG. 5

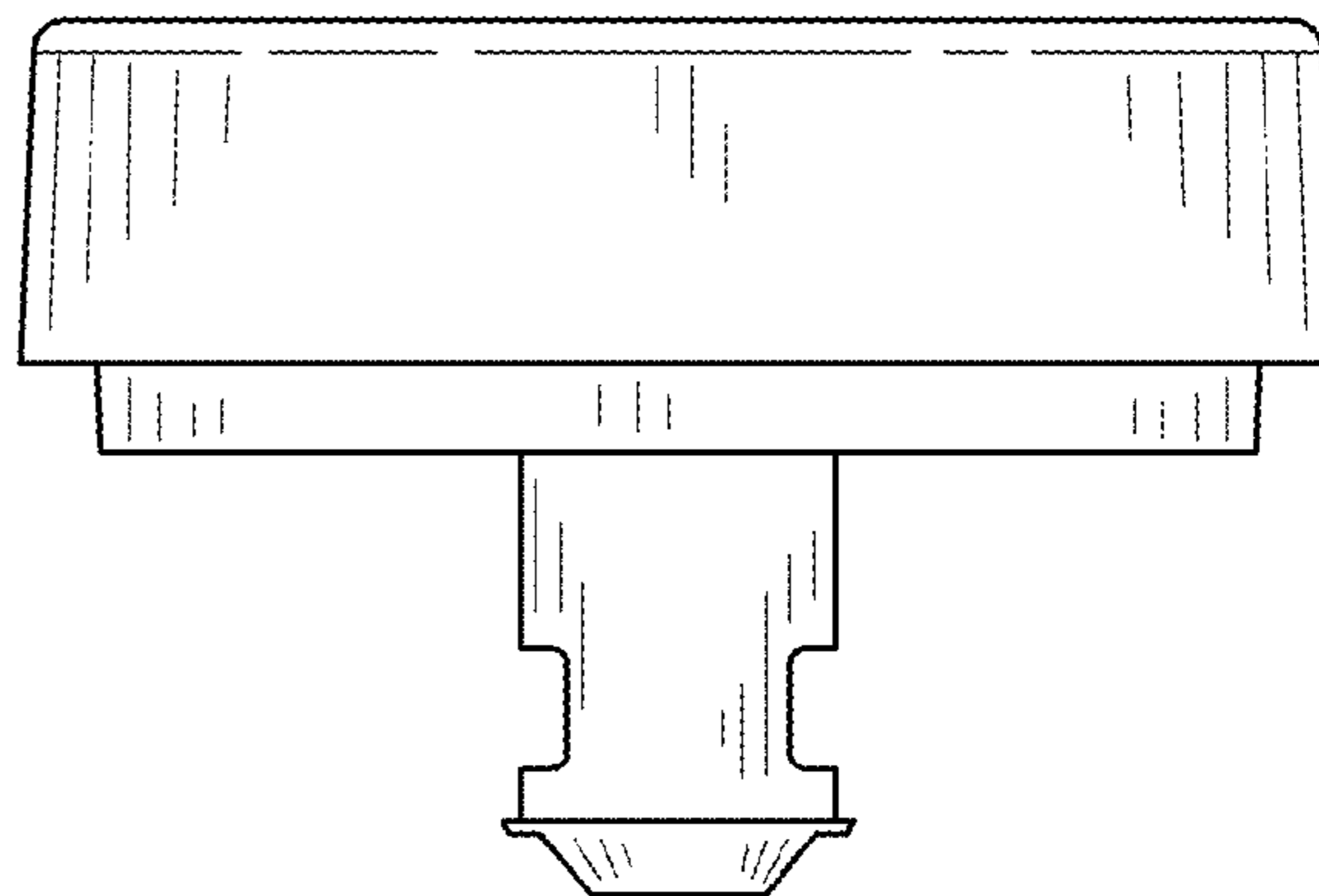


FIG. 6

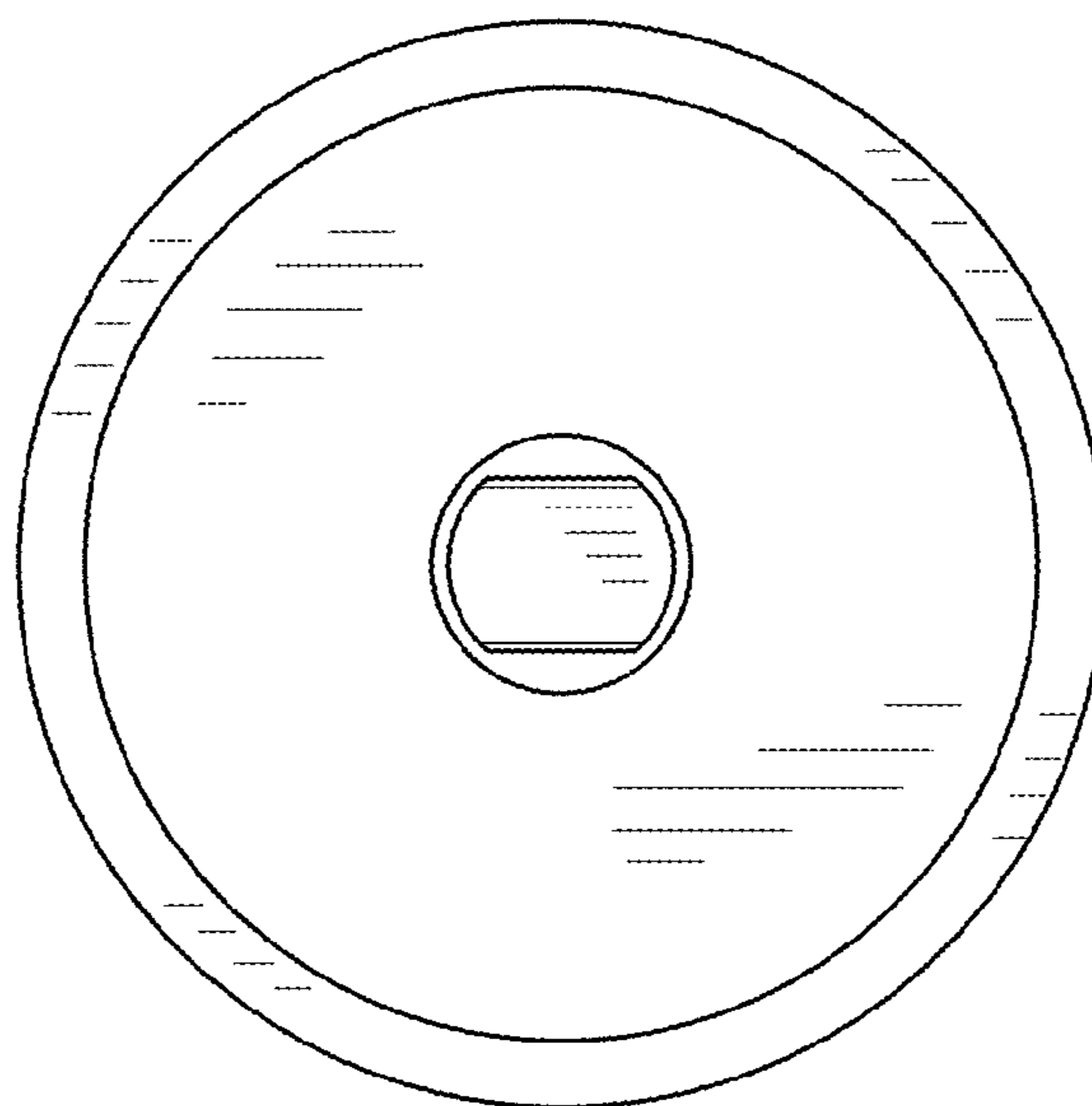


FIG. 7