



US00D985385S

(12) **United States Design Patent**
Shifman

(10) **Patent No.: US D985,385 S**

(45) **Date of Patent: ** *May 9, 2023**

(54) **RING BOX**

D735,414 S * 7/2015 Schlatter D9/600
D861,476 S * 10/2019 Rogers D9/418
D946,896 S * 3/2022 Laker D3/302

(71) Applicant: **Ouri Shifman**, Los Angeles, CA (US)

(72) Inventor: **Ouri Shifman**, Los Angeles, CA (US)

(*) Notice: This patent is subject to a terminal disclaimer.

(**) Term: **15 Years**

(21) Appl. No.: **29/795,928**

(22) Filed: **Jun. 22, 2021**

(51) **LOC (14) Cl. 09-03**

(52) **U.S. Cl.**
USPC **D9/420**

(58) **Field of Classification Search**
USPC D9/420, 500, 501, 503, 558, 549-551,
D9/428, 418, 725, 600, 519; D7/354;
D3/203.2, 302, 294, 903; D23/362, 366;
D26/1; D28/4-8, 73, 82, 88, 91.1, 85,
D28/77; D30/101; D11/220
CPC ... B65D 1/10; B65D 1/12; B65D 1/22; B65D
7/02; B65D 7/06; B65D 7/10; B65D 7/28
See application file for complete search history.

(56) **References Cited**

U.S. PATENT DOCUMENTS

D279,145 S * 6/1985 Lippe D3/903
D354,441 S * 1/1995 Fontanella D9/519
D408,285 S * 4/1999 Favre D9/503
D473,160 S * 4/2003 Weissman D11/220
D507,177 S * 7/2005 Weissman D9/428
D612,245 S * 3/2010 Canamasas Puigbo D9/519
D631,204 S * 1/2011 Dubitsky D9/551
D661,540 S * 6/2012 Facey D7/354
D710,544 S * 8/2014 Shen D9/725
D721,269 S * 1/2015 Weinmann D9/414

FOREIGN PATENT DOCUMENTS

CN 204742940 U * 11/2015
CN 209573619 U * 11/2019

OTHER PUBLICATIONS

Pool 8 Ball Game Limoges Box. Date first available: 2022. Site visited: Oct. 4, 2022. Available online: <https://www.limogesboutique.com/products/pool-8-ball-game-limoges-box-figurine-artoria> (Year: 2022).*

Machined Wooden Poké Ball on YouTube. Date posted: Jan. 28, 2020. Site visited: Oct. 4, 2022. Available online: <https://www.youtube.com/watch?v=R8n4P79TQm4> (Year: 2020).*

Porcelain Golf Ball Keepsake Box. Date first available: 2022. Site visited: Oct. 4, 2022. Available online: https://www.areohome.com/products/porcelain-golf-ball-keepsake-box?_pos=1&_sid=48bef7163&_ss=r (Year: 2022).*

* cited by examiner

Primary Examiner — Catherine S Posthauer
Assistant Examiner — Joan E. Diehl
(74) *Attorney, Agent, or Firm* — Mark M. Friedman

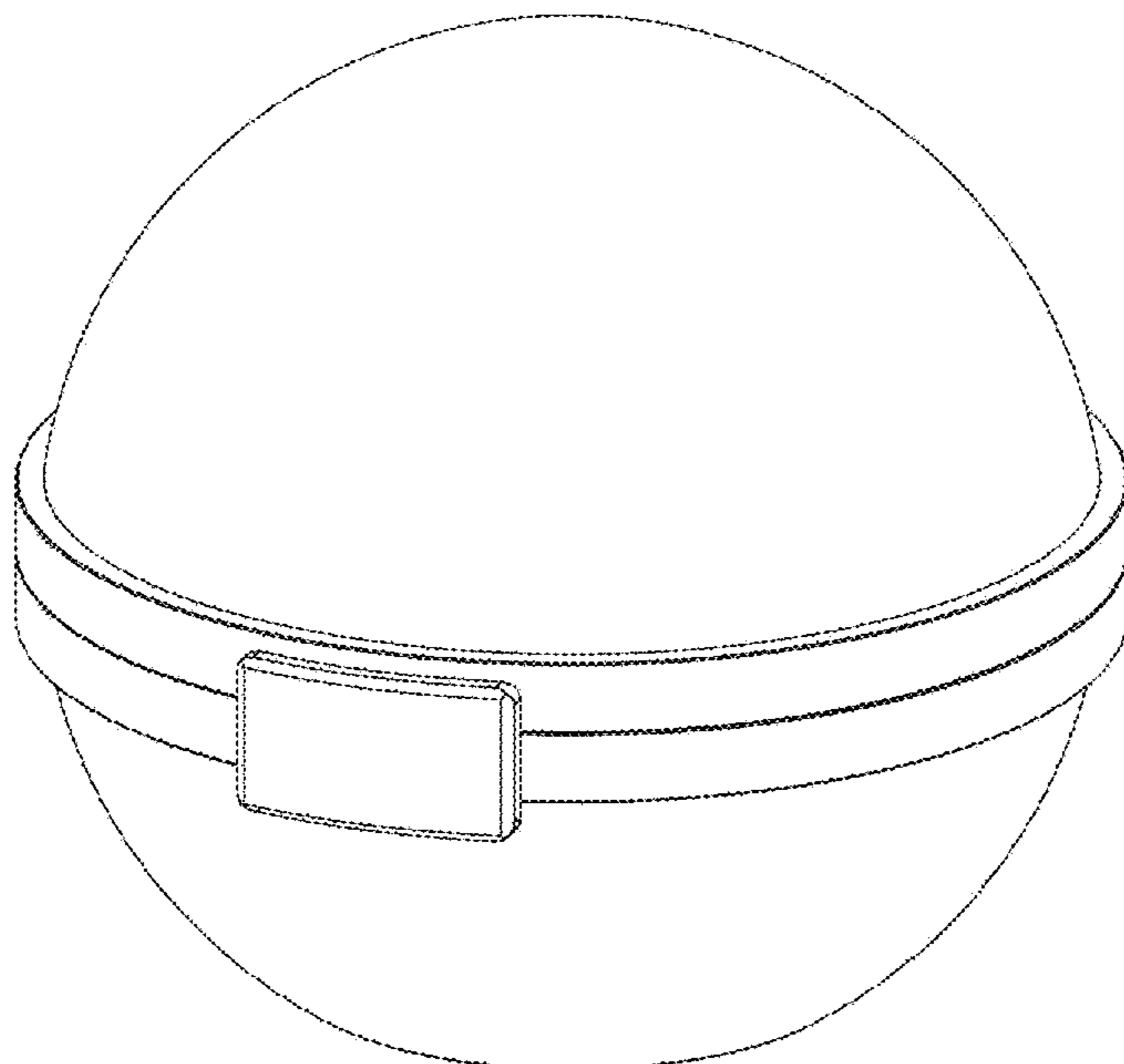
(57) **CLAIM**

The ornamental design for a ring box, as shown.

DESCRIPTION

FIG. 1 is a back view of a ring box showing my design; FIG. 2 is a perspective view thereof; FIG. 3 is a side view thereof; and, FIG. 4 is a top view (open) thereof. The broken lines illustrate parts of the article which form no part of the claim.

1 Claim, 4 Drawing Sheets



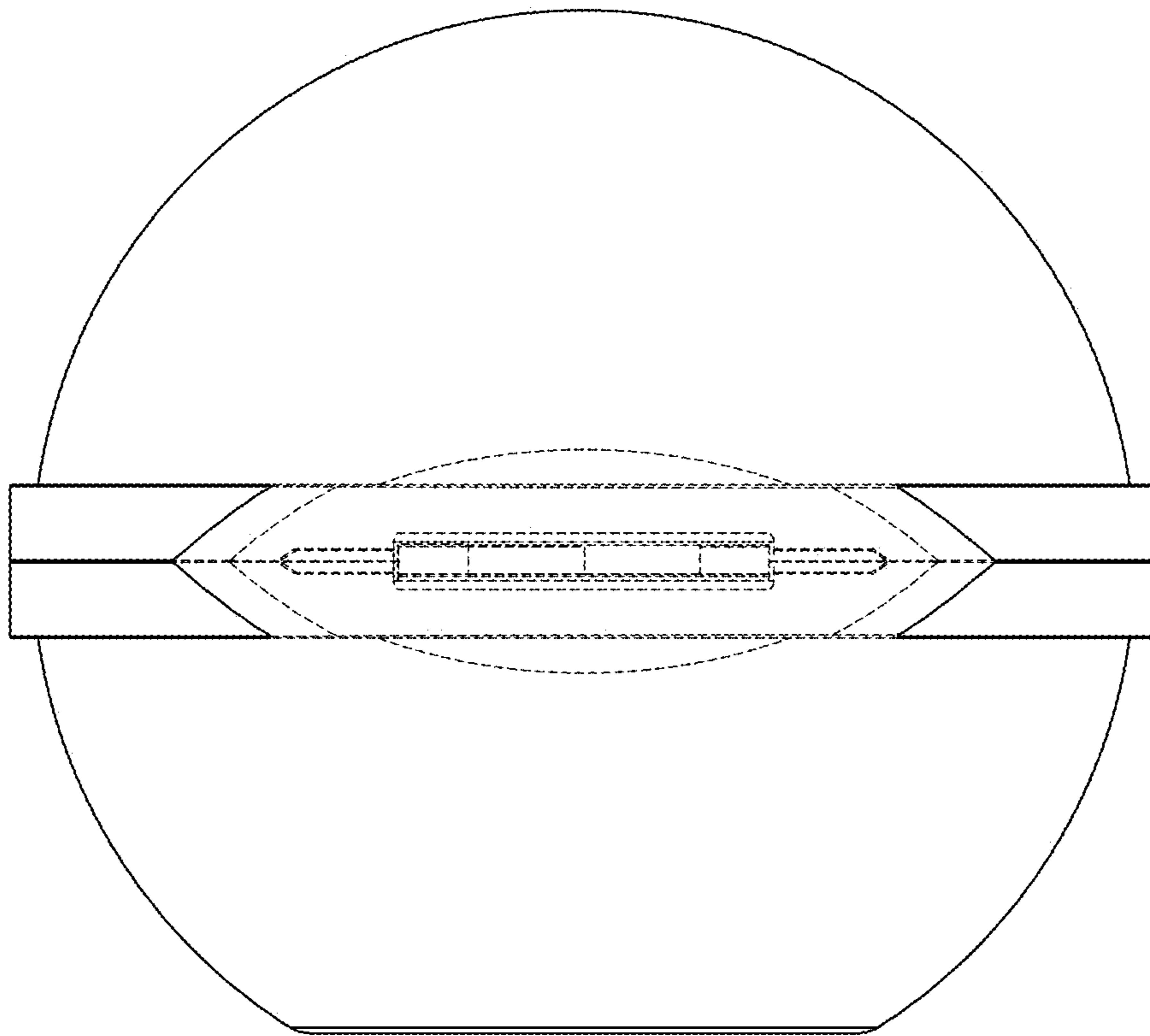


FIG. 1

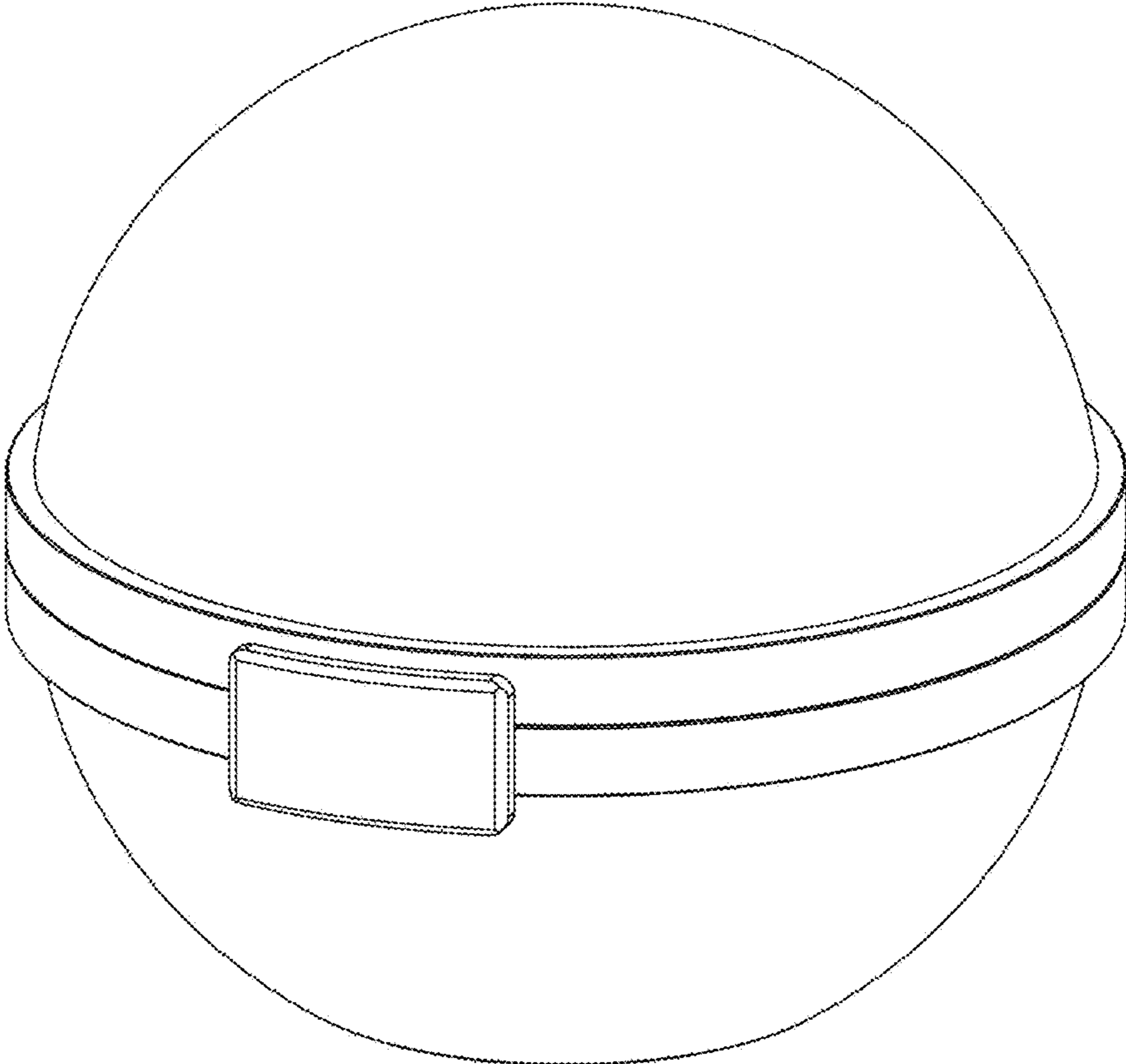


FIG. 2

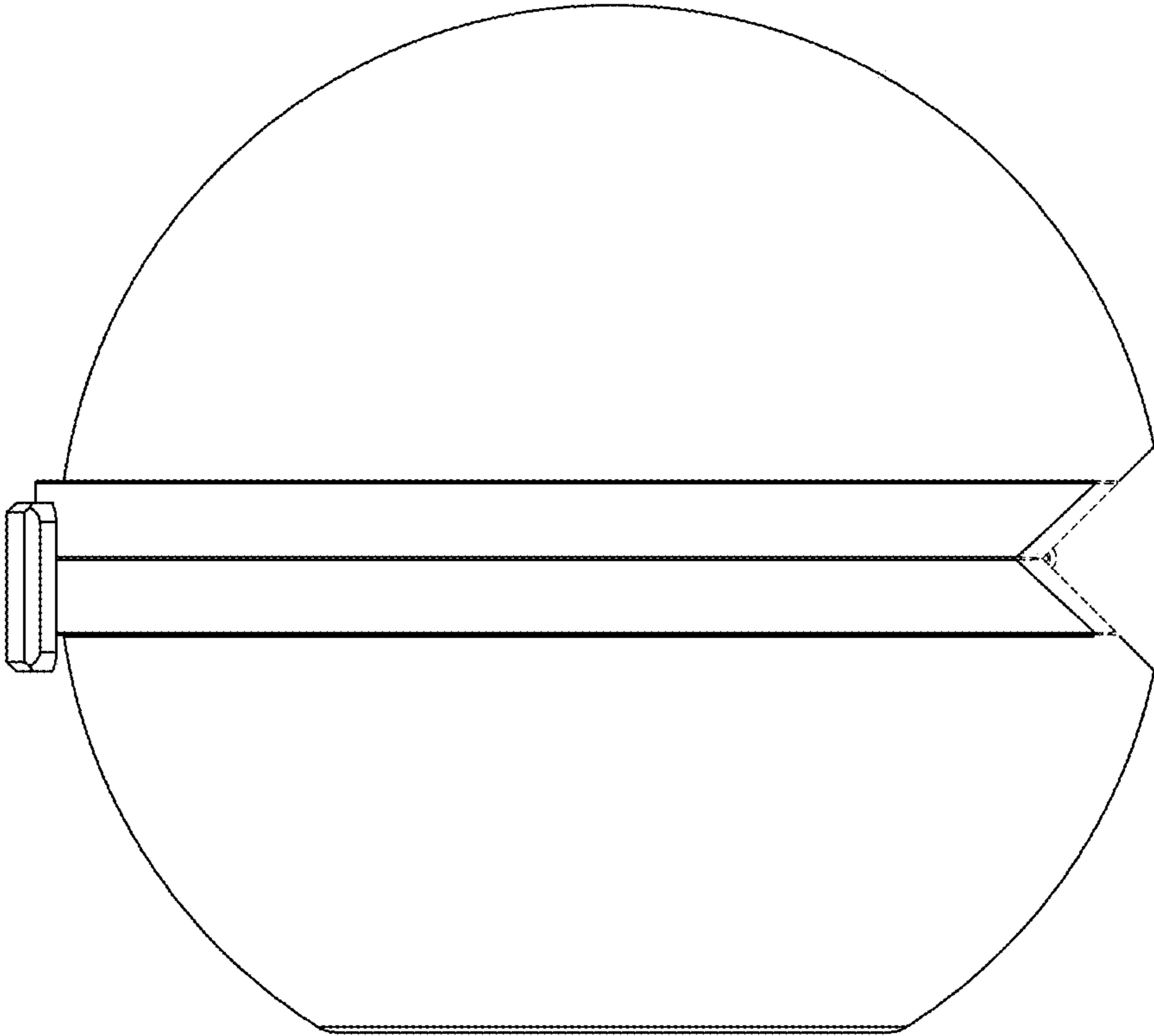


FIG. 3

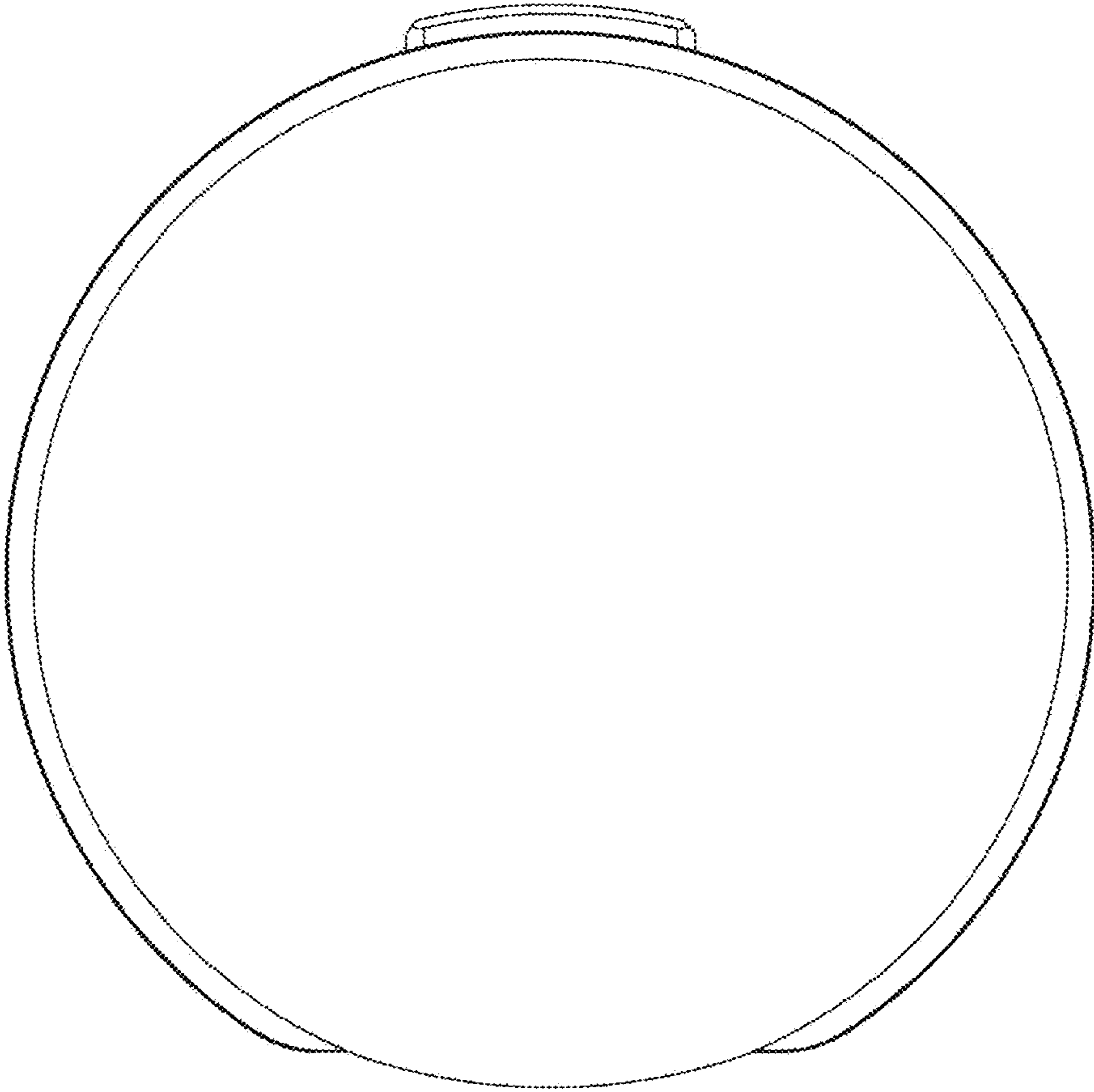


FIG. 4