



US00D985384S

(12) **United States Design Patent** (10) **Patent No.:** **US D985,384 S**  
**Cannamela et al.** (45) **Date of Patent:** **\*\* May 9, 2023**

(54) **COMBINED PACKAGE WITH DRUG DELIVERY DEVICE**

(71) Applicant: **Janssen Pharmaceutica NV**, Beerse (BE)

(72) Inventors: **Michael Cannamela**, Atlantic Highlands, NJ (US); **Emma Louise Hubert**, San Jose, CA (US)

(73) Assignee: **Janssen Pharmaceutica NV**, Beerse (BE)

(\*\*) Term: **15 Years**

(21) Appl. No.: **29/717,663**

(22) Filed: **Dec. 18, 2019**

(51) **LOC (14) Cl.** ..... **09-03**

(52) **U.S. Cl.**  
USPC ..... **D9/416**

(58) **Field of Classification Search**  
USPC ..... D9/414-418, 425, 737, 721, 707, 756,  
D9/748, 761, 426, 434, 732; D3/319,  
D3/203.1; D27/196; D24/114  
CPC ..... B65D 5/5088; B65D 73/0092; G06Q  
30/0241

See application file for complete search history.

(56) **References Cited**

**U.S. PATENT DOCUMENTS**

D430,015 S 8/2000 Himbert  
6,228,324 B1 5/2001 Hasegawa et al.  
D549,094 S \* 8/2007 Oner ..... D9/425

(Continued)

**FOREIGN PATENT DOCUMENTS**

AU 113226 S 2/1992  
AU 316236 9/2007

(Continued)

**OTHER PUBLICATIONS**

Dispositivo de medicamento Spravato (Janssen Pharmaceutica NV) Jun. 3, 2019, <https://www.scmp.com/news/world/united-states-canada/article/2188801/fda-approves-spravato-fast-acting-ketamine-nasal>.

*Primary Examiner* — Rhea Shields

(74) *Attorney, Agent, or Firm* — Mintz Levin Cohn Ferris Glovsky and Popeo, P.C.

(57) **CLAIM**

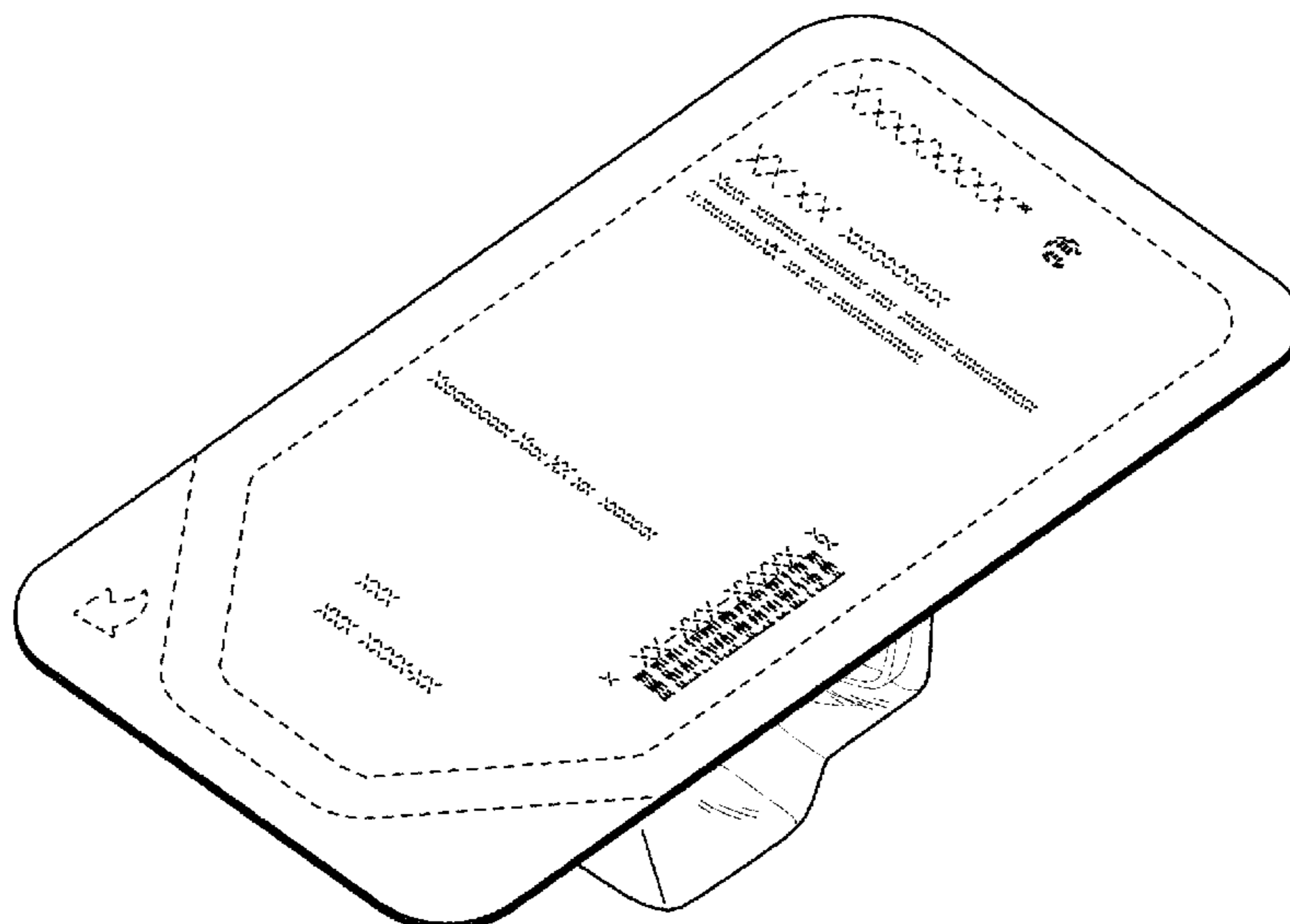
The ornamental design for a combined package with drug delivery device, as shown and described.

**DESCRIPTION**

FIG. 1 is a perspective view of a new design of a combined package with drug delivery device disposed therein; FIG. 2 is a perspective view of the combined package with drug delivery device of FIG. 1 shown with a lid removed; FIG. 3 is a top view of the combined package with drug delivery device of FIG. 1; FIG. 4 is a top view of the combined package with drug delivery device of FIG. 2; FIG. 5 is a bottom view of the combined package with drug delivery device of FIG. 1; FIG. 6 is a left view of the combined package with drug delivery device of FIG. 1; FIG. 7 is a right view of the combined package with drug delivery device of FIG. 1; FIG. 8 is a front view of the combined package with drug delivery device of FIG. 1; FIG. 9 is a back view of the combined package with drug delivery device of FIG. 1; and, FIG. 10 is an exploded view of the combined package with drug delivery device of FIG. 1.

In the drawings, the broken lines are for the purpose of illustrating portions of the package that form no part of the claimed design.

**1 Claim, 6 Drawing Sheets**



(56)

References Cited

U.S. PATENT DOCUMENTS

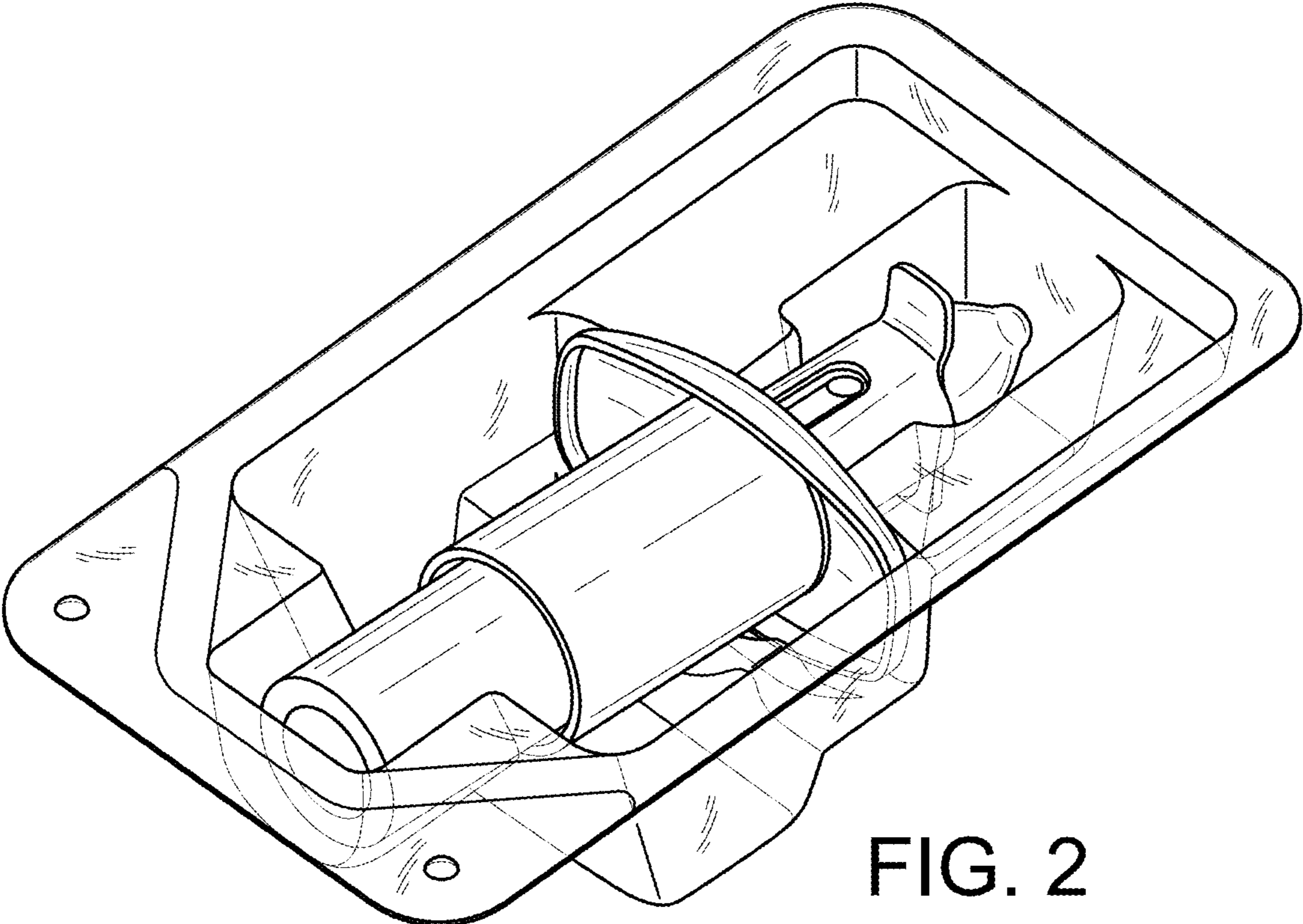
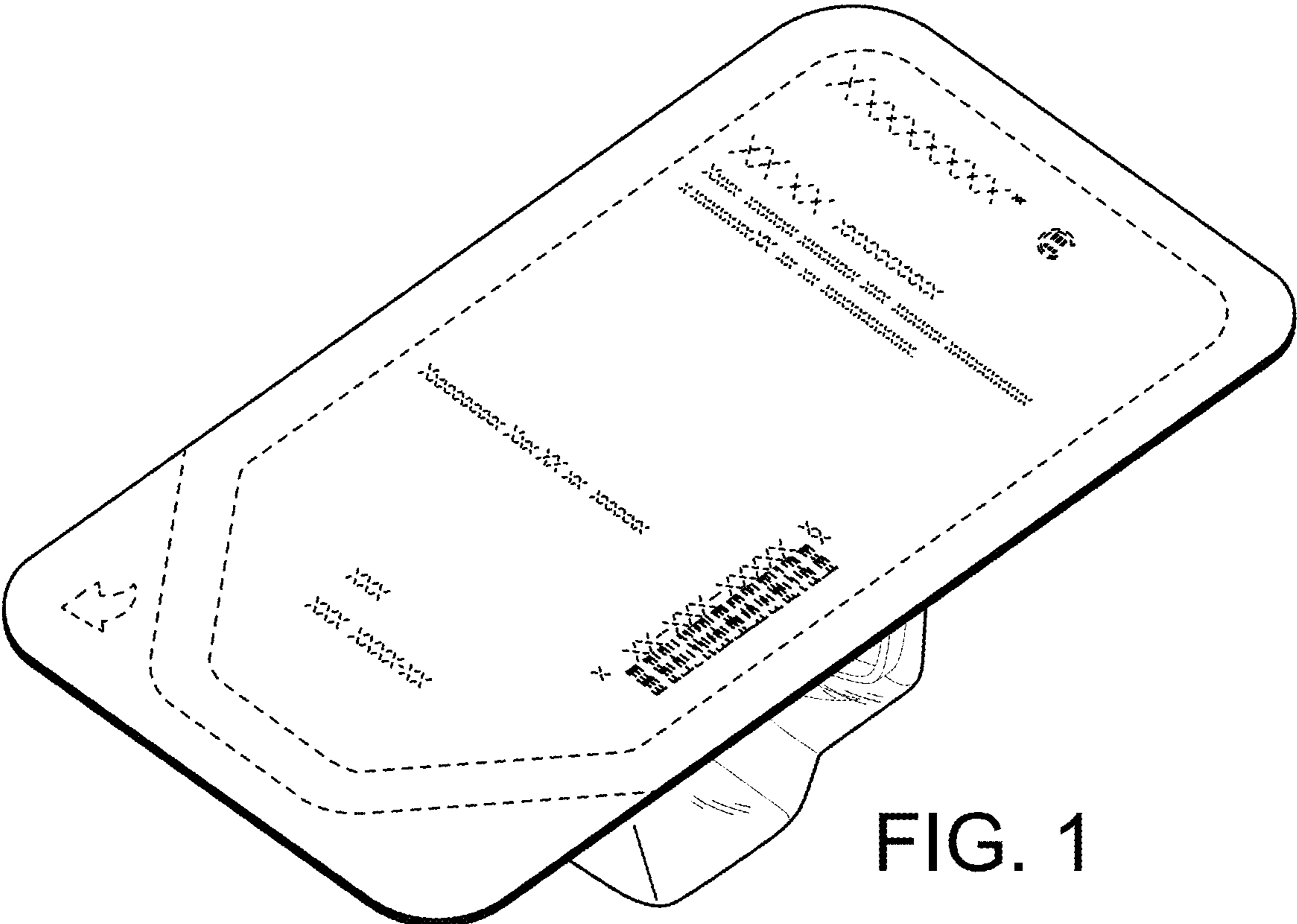
D569,721 S 5/2008 Gedanke  
 D623,935 S 9/2010 Kim et al.  
 D697,398 S 1/2014 Guevara-ludt  
 D743,249 S \* 11/2015 Wintmolders ..... D9/425  
 D750,502 S \* 3/2016 Kirchmayr ..... D9/732  
 D754,547 S \* 4/2016 Psimadas ..... D9/748  
 D758,180 S \* 6/2016 Wintmolders ..... D9/415  
 9,422,094 B2 \* 8/2016 Niiro ..... B65D 5/5088  
 D765,520 S \* 9/2016 Gunder ..... D9/732  
 D767,985 S \* 10/2016 Schouten ..... D9/414  
 D774,903 S \* 12/2016 Joergensen ..... D9/425  
 D775,945 S \* 1/2017 DiChiara ..... D9/425  
 D780,599 S \* 3/2017 Tilahun ..... D9/737  
 D785,451 S \* 5/2017 Biery ..... D9/425  
 D788,936 S 6/2017 Schill et al.  
 D790,987 S \* 7/2017 Damon ..... D9/415  
 D790,988 S \* 7/2017 Vasiliadis ..... D9/748  
 D804,962 S \* 12/2017 Fox ..... D9/425  
 D808,823 S \* 1/2018 Greene ..... D9/748  
 D810,556 S \* 2/2018 Holm ..... D9/415  
 D814,314 S \* 4/2018 Mecker ..... D9/416  
 D814,918 S \* 4/2018 Bos ..... D9/415  
 D818,815 S \* 5/2018 Psimadas ..... D9/415  
 10,053,272 B2 \* 8/2018 Doherty ..... B65D 73/0092  
 D840,800 S \* 2/2019 Farrell ..... D9/415  
 D841,460 S \* 2/2019 Toledo ..... D9/425  
 D842,092 S \* 3/2019 Toledo ..... D9/425  
 D847,253 S 4/2019 Chang  
 D847,624 S \* 5/2019 Farrell ..... D9/415  
 D850,289 S \* 6/2019 McCay ..... D9/737  
 D853,249 S \* 7/2019 McKendree ..... D9/737  
 D854,408 S \* 7/2019 Farrell ..... D9/415  
 D855,450 S \* 8/2019 Klein ..... D9/415  
 D856,793 S \* 8/2019 Debnath ..... D9/721  
 D860,435 S \* 9/2019 Wang ..... D24/114  
 D870,550 S \* 12/2019 Klein ..... D9/434  
 D871,205 S \* 12/2019 Farrell ..... D9/415  
 D873,131 S \* 1/2020 Watanabe ..... D9/415

D877,613 S \* 3/2020 McFaul ..... D9/426  
 10,577,165 B2 3/2020 Sadowski et al.  
 D882,415 S \* 4/2020 Duarte de Castro ..... D9/737  
 D887,283 S \* 6/2020 Sennett ..... D9/748  
 D887,700 S \* 6/2020 Folger ..... D3/203.1  
 D892,636 S \* 8/2020 Troutd ..... D9/761  
 D898,588 S \* 10/2020 An ..... D9/748  
 D906,102 S \* 12/2020 Cook ..... D9/737  
 D909,890 S \* 2/2021 Bryzek ..... D9/737  
 D915,904 S \* 4/2021 Duarte de Castro ..... D9/737  
 D918,710 S \* 5/2021 Hampton ..... D9/415  
 D920,573 S \* 5/2021 Scudieri ..... D9/707  
 D934,069 S \* 10/2021 Cook ..... D9/737  
 D938,831 S \* 12/2021 Picken ..... D9/756  
 D939,139 S \* 12/2021 Waters ..... D27/196  
 11,230,419 B2 \* 1/2022 Tilahun ..... G06Q 30/0241  
 D945,847 S \* 3/2022 Chen ..... D3/319  
 D949,018 S \* 4/2022 Gysel ..... D9/425  
 D953,886 S \* 6/2022 Collier ..... D9/732  
 D957,245 S \* 7/2022 Müller ..... D9/415  
 D958,645 S \* 7/2022 Debnath ..... D9/721  
 D959,052 S \* 7/2022 Gerhards ..... D9/707  
 D961,376 S \* 8/2022 Cook ..... D9/737  
 2018/0085515 A1 3/2018 Mide et al.

FOREIGN PATENT DOCUMENTS

AU 201713235 S 6/2017  
 CL 2015001855 S1 12/2014  
 CL 2017001388 S1 1/2016  
 CL 2020001658 S1 6/2020  
 CL 2020001659 S1 6/2020  
 CL 2020001660 S1 6/2020  
 CL 2020001661 S1 6/2020  
 CO 09046884 9/2009  
 EM 000243894-0001 1/2005  
 NC 20200007409 6/2020  
 TW D139069 S1 2/2011  
 TW D171654 S 11/2015

\* cited by examiner



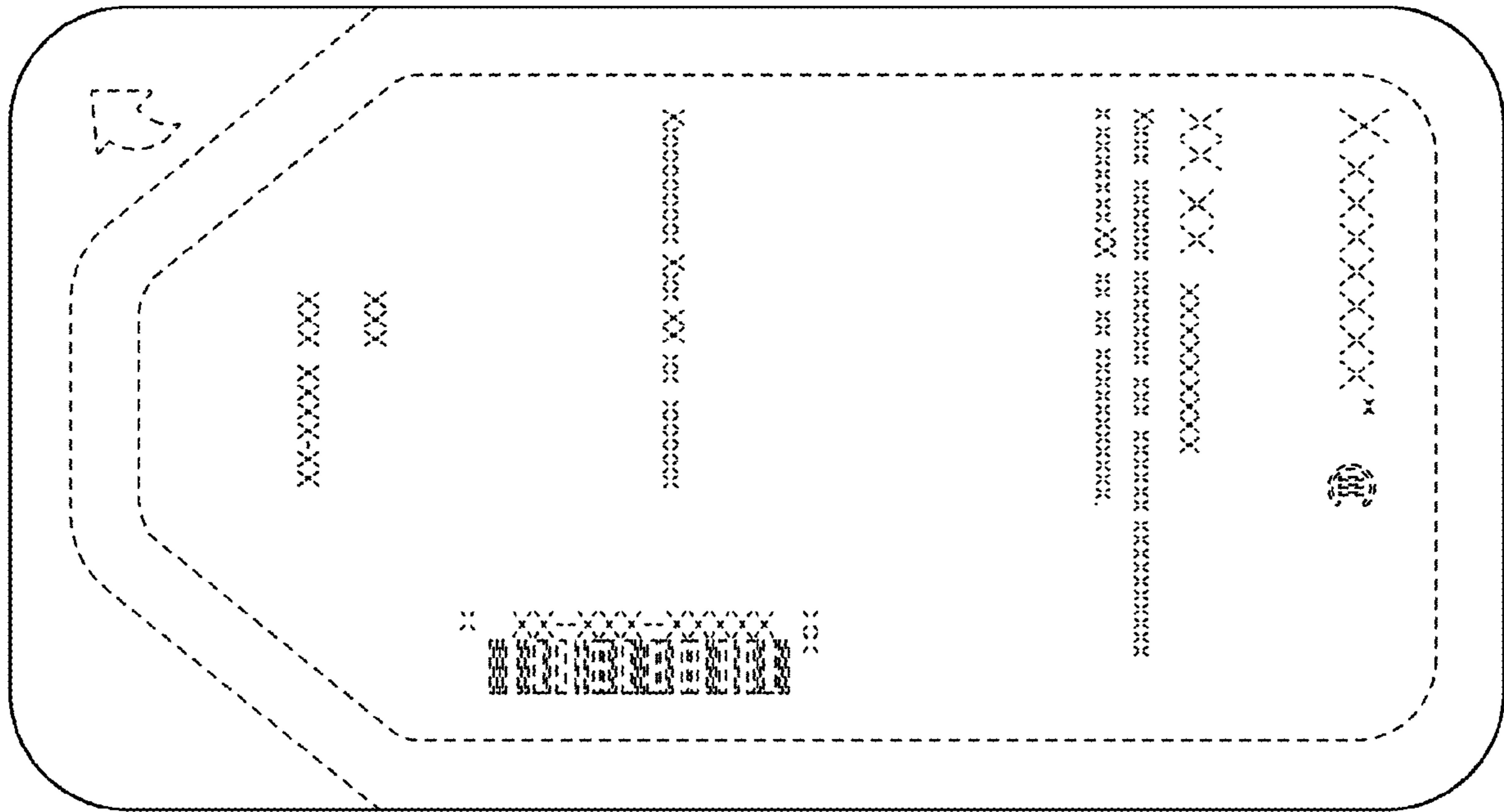


FIG. 3

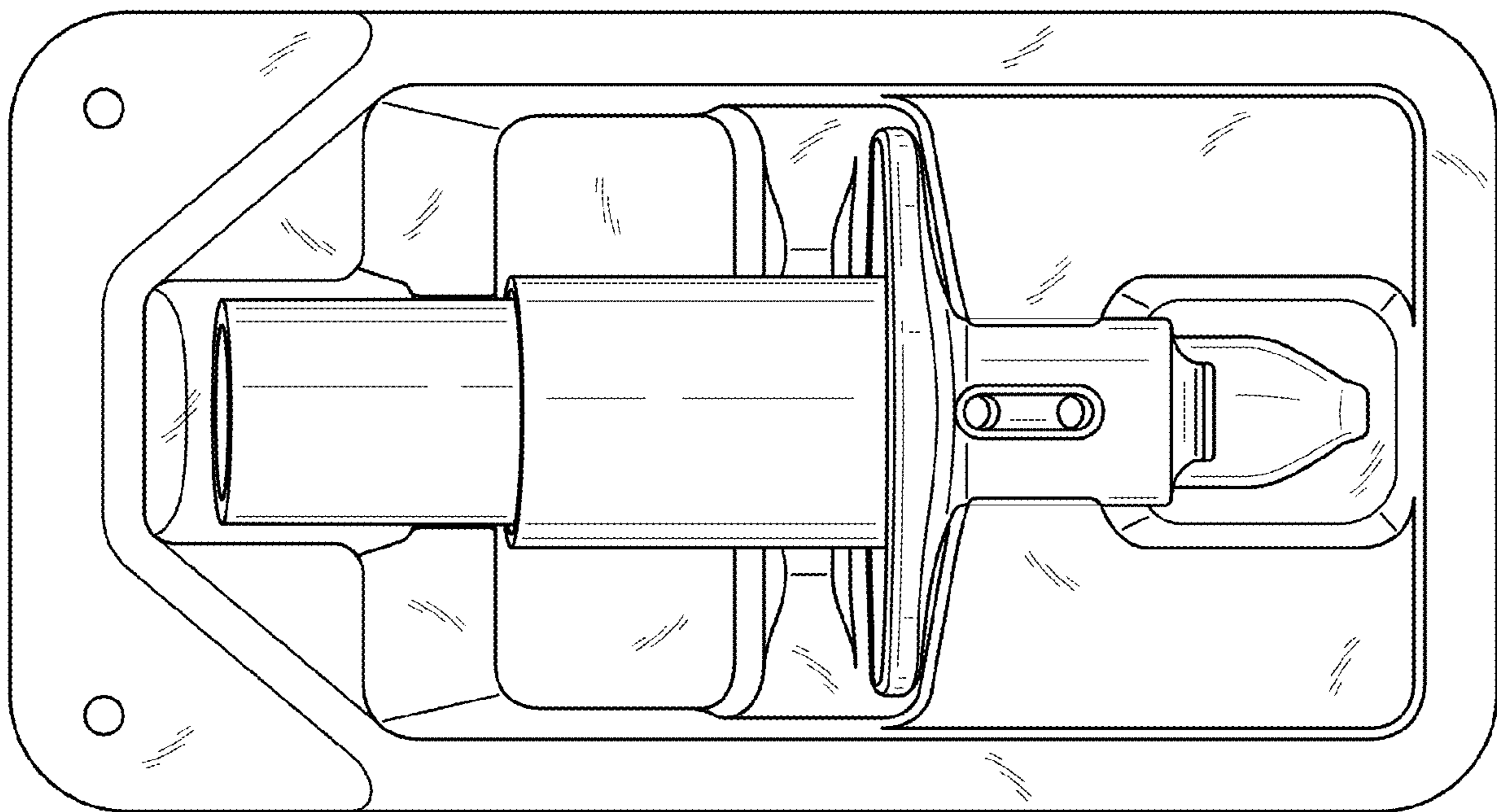


FIG. 4

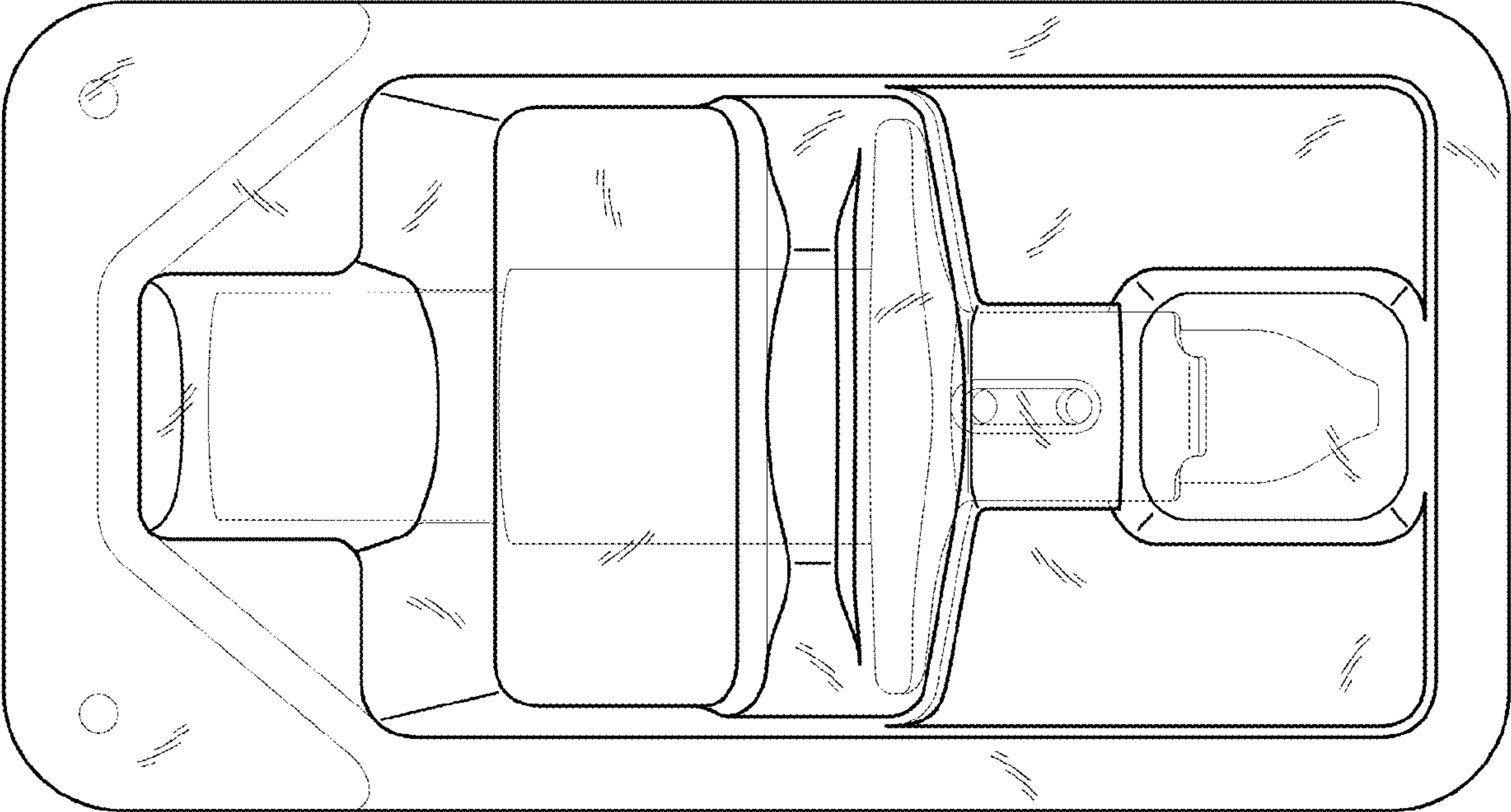


FIG. 5

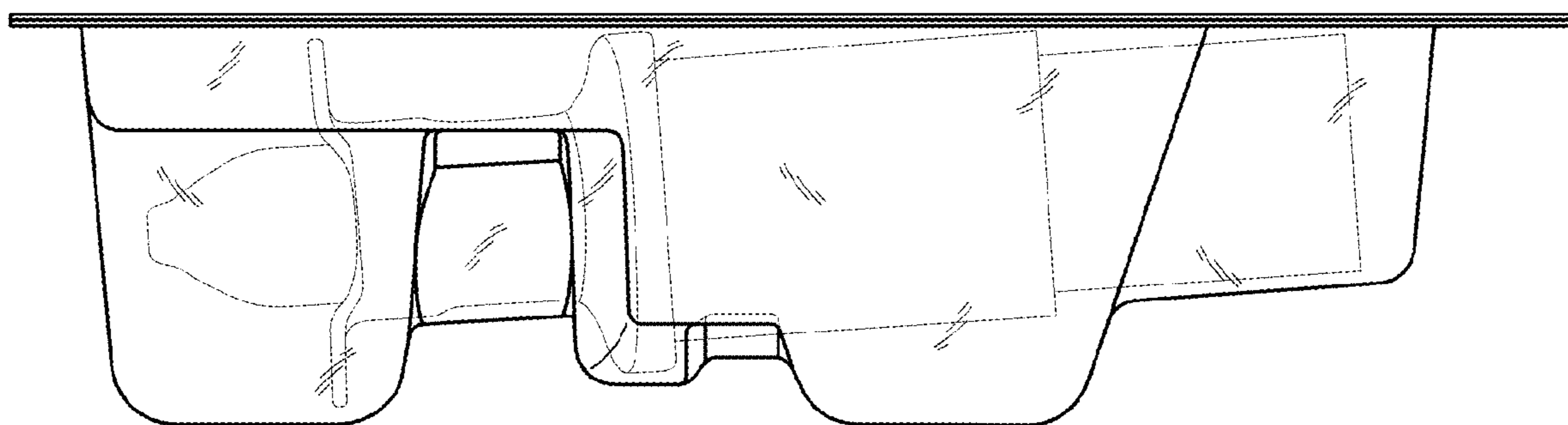


FIG. 6

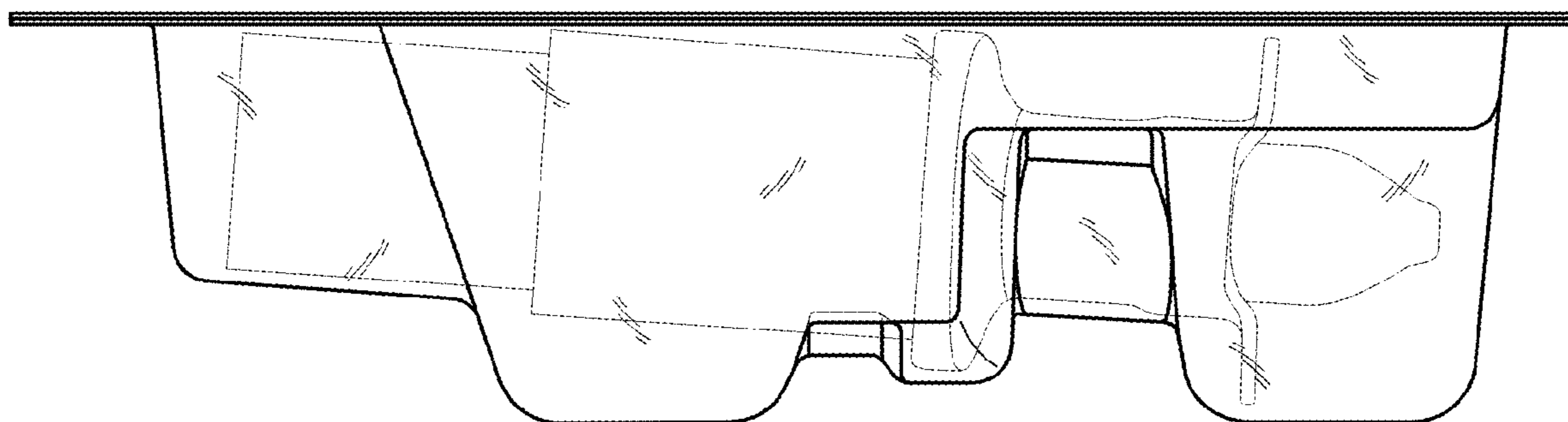


FIG. 7

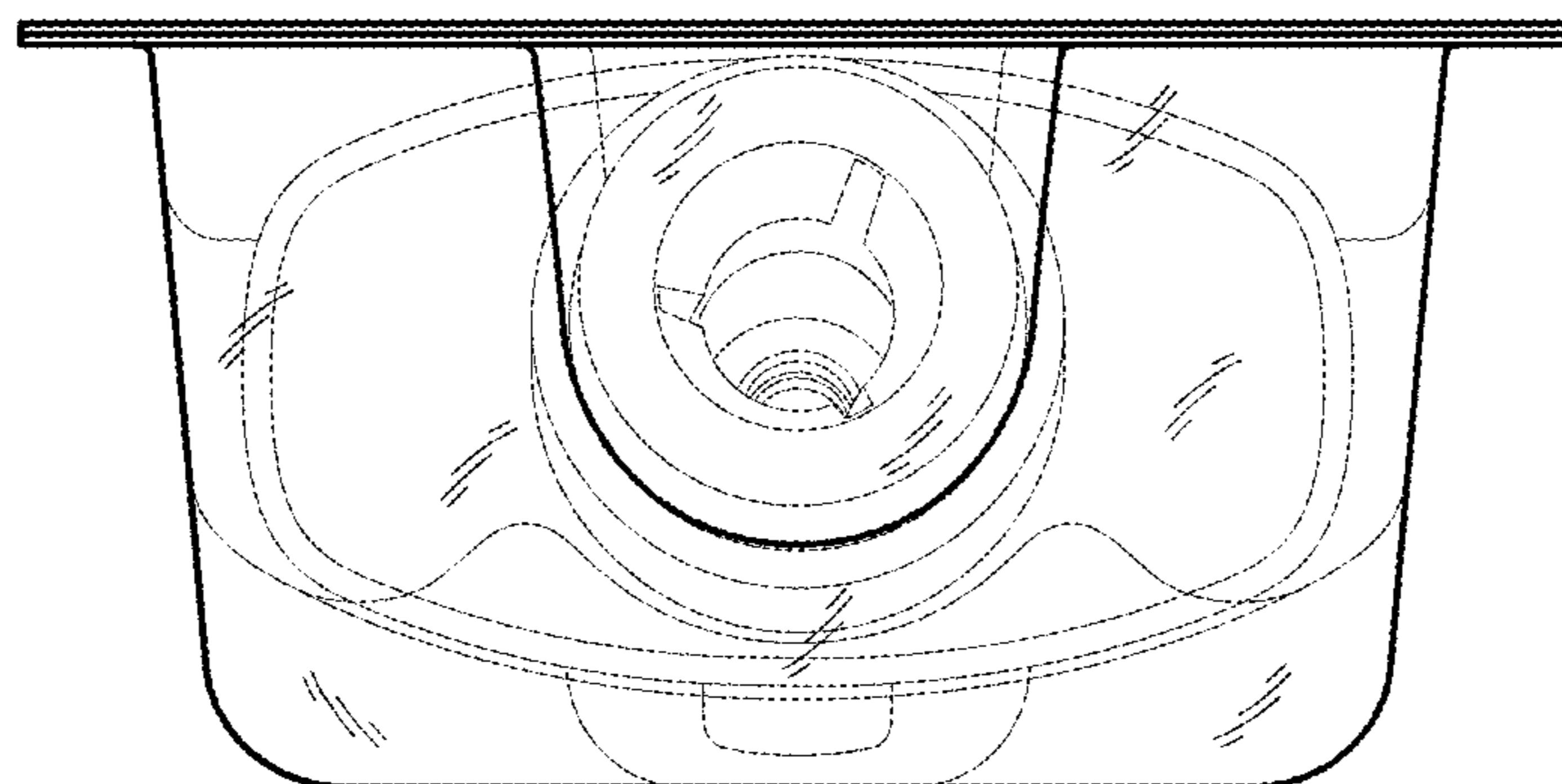


FIG. 8

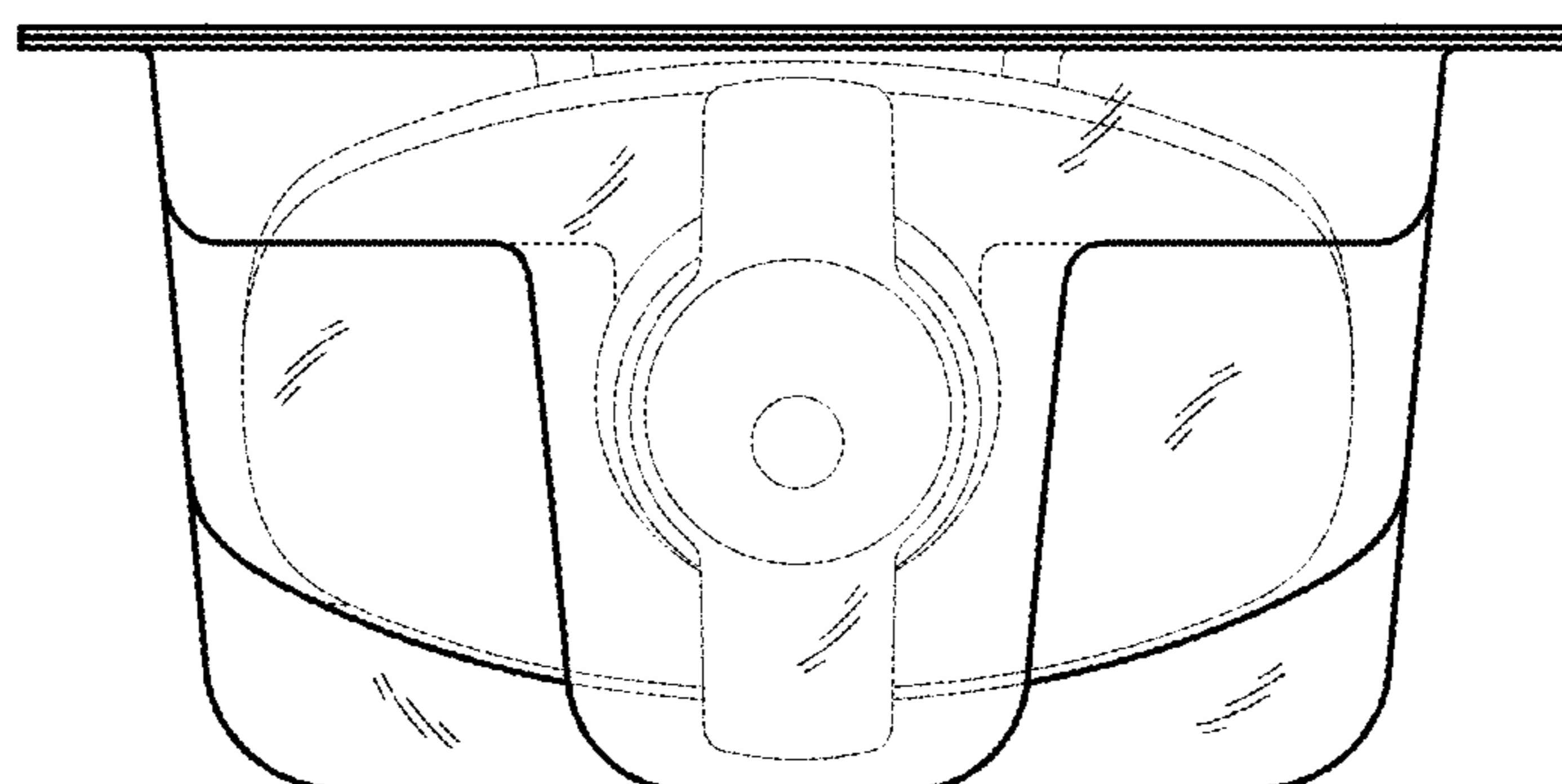


FIG. 9

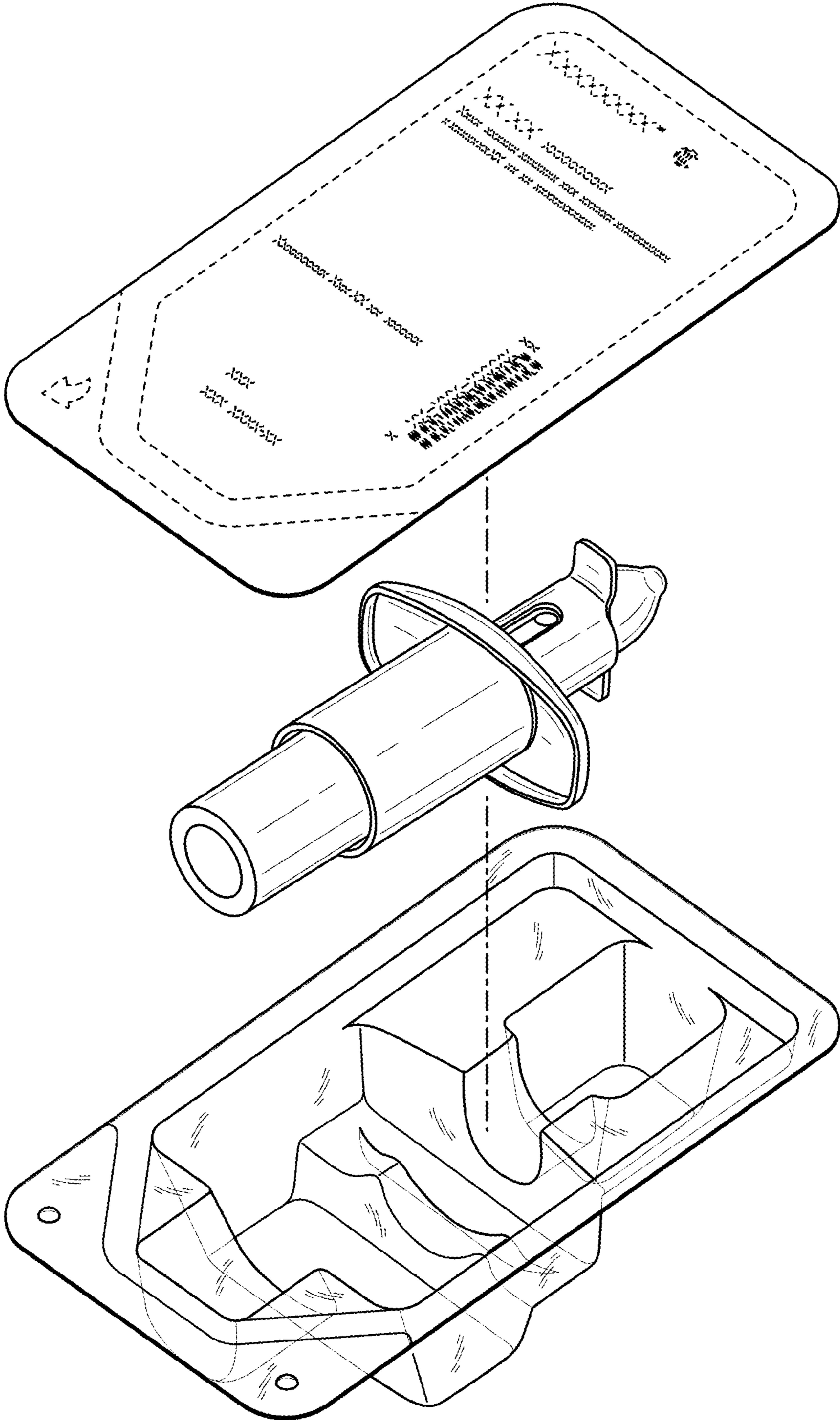


FIG. 10