



US00D985383S

(12) **United States Design Patent** (10) **Patent No.:** **US D985,383 S**
Dorr et al. (45) **Date of Patent:** **** May 9, 2023**

(54) **HEARING AID BATTERY PACKAGE**
(71) Applicant: **ENERGIZER BRANDS, LLC**, St. Louis, MO (US)
(72) Inventors: **William R. Dorr**, Madison, WI (US); **Christopher Harris**, York, ME (US); **Marek Kokoszka**, Fort Atkinson, WI (US); **Robert G. LaMasney**, Cross Plains, WI (US); **Ross J. Mack**, Dane, WI (US); **Daniel R. Teteak**, Madison, WI (US); **Tim O'Brien**, Middleton, WI (US)

(73) Assignee: **ENERGIZER BRANDS, LLC**, St. Louis, MO (US)

(**) Term: **15 Years**

(21) Appl. No.: **29/711,568**

(22) Filed: **Oct. 31, 2019**

Related U.S. Application Data

(60) Division of application No. 29/624,349, filed on Oct. 31, 2017, now Pat. No. Des. 879,601, which is a continuation-in-part of application No. 15/694,490, filed on Sep. 1, 2017, now Pat. No. 9,954,208, which is a continuation-in-part of application No. 15/148,951, filed on May 6, 2016, now Pat. No. 10,093,469.

(51) **LOC (14) Cl.** **09-03**

(52) **U.S. Cl.**
USPC **D9/415**

(58) **Field of Classification Search**
USPC D9/414-415, 418, 756, 757, 624, 732, D9/652, 761, 425; D3/315, 273; D30/133; D19/67; D20/22; D6/407
CPC B65D 75/326; B65D 73/0092; B65H 75/4473; A61L 9/12
See application file for complete search history.

(56) **References Cited**

U.S. PATENT DOCUMENTS

| | | | | | | |
|-----------|---|---|---------|-----------------|-------|----------------------|
| D190,396 | S | * | 5/1961 | Robinson | | D9/415 |
| 3,414,161 | A | | 12/1968 | Doring | | |
| 3,424,380 | A | * | 1/1969 | Curran | | A61L 9/12 206/0.5 |
| 3,433,351 | A | | 3/1969 | Zaborney | | |
| 3,995,767 | A | | 12/1976 | Brindley et al. | | |
| D272,233 | S | * | 1/1984 | Parmentier | | D9/732 |
| 4,549,654 | A | | 10/1985 | Tiesman | | |
| D281,398 | S | * | 11/1985 | Kesselring | | D9/414 |

(Continued)

FOREIGN PATENT DOCUMENTS

| | | | |
|----|-----------------|----|---------|
| JP | 2004-214047 | A | 7/2004 |
| KR | 10-2003-0078026 | A | 10/2003 |
| WO | WO-01/8773 | A1 | 11/2001 |

Primary Examiner — Rhea Shields

(74) Attorney, Agent, or Firm — Foley & Lardner LLP

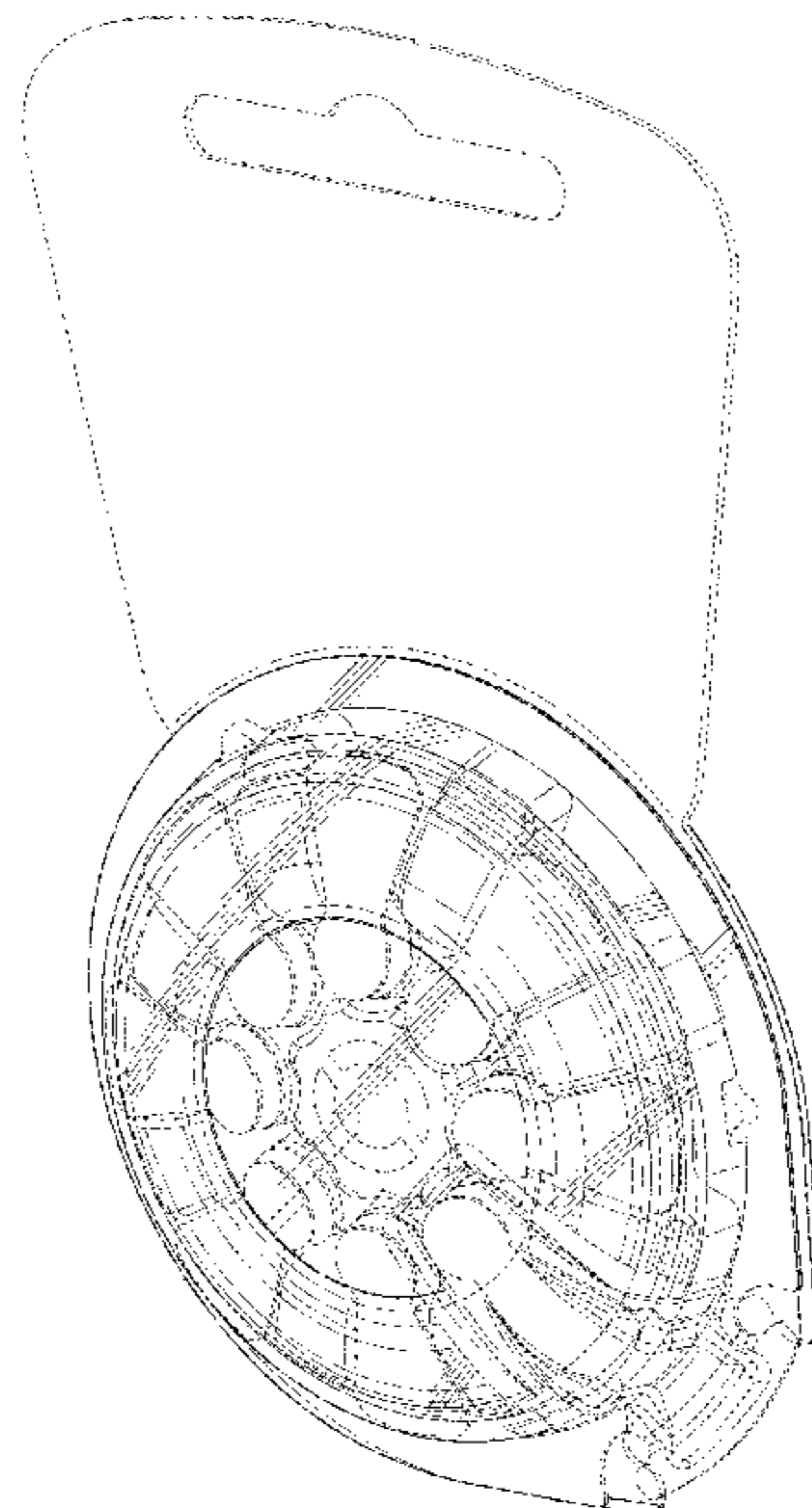
(57) **CLAIM**

We claim the ornamental design for a hearing aid battery package, as shown and described.

DESCRIPTION

FIG. 1 is a front perspective view from above of the claimed battery package design;
FIG. 2 is a front view according to the claimed design;
FIG. 3 is a rear view according to the claimed design;
FIG. 4 is a right side view according to the claim design;
FIG. 5 is a left side view according to the claimed design;
FIG. 6 is a top view according to the claimed design; and,
FIG. 7 is a bottom view according to the claimed design.
In the drawings the broken lines illustrate portions of the hearing aid battery package that form no part of the claimed design. Oblique lines show a transparent surface.

1 Claim, 5 Drawing Sheets



(56)

References Cited

U.S. PATENT DOCUMENTS

D306,561 S 3/1990 Lee
 D319,665 S * 9/1991 Kiyokane D19/67
 D328,249 S 7/1992 Lee
 D333,613 S 3/1993 Theros
 D341,777 S 11/1993 Sheu
 D350,693 S * 9/1994 Pratt 206/315.9
 D386,838 S * 11/1997 Pini D30/133
 D396,632 S 8/1998 Lee
 D400,096 S 10/1998 Lee
 5,839,583 A 11/1998 Pope et al.
 D405,367 S 2/1999 Lee et al.
 D405,368 S 2/1999 Lee
 D405,688 S 2/1999 Lee et al.
 D408,731 S * 4/1999 Taylor D9/418
 D413,512 S * 9/1999 Pryde D9/415
 6,011,472 A 1/2000 Pendergraph et al.
 6,039,185 A 3/2000 Pedracine et al.
 6,053,320 A 4/2000 Kuethe
 D433,937 S 11/2000 Glassman
 D440,871 S 4/2001 Lo
 D454,783 S 3/2002 Pirro et al.
 D459,222 S * 6/2002 Mello D9/418
 D466,405 S 12/2002 Lee
 D467,246 S 12/2002 Macrae
 D469,686 S * 2/2003 Yang D9/415
 D474,023 S * 5/2003 Vasudeva D3/315
 D478,000 S 8/2003 Milan
 D478,001 S 8/2003 Milan
 6,615,986 B2 * 9/2003 Pirro B65D 73/0092
 206/704
 D482,964 S * 12/2003 Noer D9/415
 6,659,281 B2 12/2003 Gaffney et al.
 D489,973 S 5/2004 Root et al.
 D493,105 S * 7/2004 Childs D9/425
 D494,464 S 8/2004 Kumakura et al.
 D496,268 S 9/2004 Stamm et al.
 D503,882 S 4/2005 Milan
 D504,064 S 4/2005 Lee et al.
 D505,618 S * 5/2005 Richards D9/415
 6,889,840 B2 5/2005 Schein et al.
 D508,844 S 8/2005 Calcerano
 D517,909 S 3/2006 Kent et al.
 D521,860 S 5/2006 Lee et al.
 D521,861 S 5/2006 Lee et al.
 7,104,417 B2 9/2006 Hilliard
 D530,626 S * 10/2006 Tanja D9/761
 D541,145 S 4/2007 Copp
 D550,077 S * 9/2007 Lagreca D9/652

D560,490 S * 1/2008 Kirk D9/732
 D561,579 S * 2/2008 Aronson D9/415
 D561,601 S * 2/2008 MacKinnon D9/624
 D576,030 S 9/2008 Lee et al.
 7,461,760 B2 12/2008 Ferguson et al.
 7,621,405 B2 11/2009 Schweitzer et al.
 D618,997 S * 7/2010 Roesler D6/407
 D621,650 S 8/2010 Deleo
 D629,680 S * 12/2010 Sondors D9/418
 D632,168 S 2/2011 Zealer
 7,918,340 B2 4/2011 Brennan et al.
 D641,233 S 7/2011 Pugh
 D670,178 S 11/2012 Carson
 D677,798 S 3/2013 Hart et al.
 D678,675 S * 3/2013 Lin D3/273
 D683,243 S 5/2013 Carson et al.
 D695,625 S 12/2013 Limback
 D702,111 S 4/2014 Hollinger
 D714,135 S 9/2014 Chang
 8,857,659 B2 10/2014 Gauthier
 D720,212 S 12/2014 Gonzalez et al.
 D724,939 S 3/2015 Smagin et al.
 9,209,442 B1 12/2015 Schiffmiller et al.
 D748,456 S 2/2016 Siboni et al.
 D758,179 S 6/2016 Beck et al.
 D772,074 S 11/2016 Gray
 9,550,615 B2 1/2017 Miller
 9,550,651 B2 * 1/2017 Schilling B65H 75/4473
 D793,865 S 8/2017 Bentley
 D800,545 S * 10/2017 Burton B65D 75/326
 D9/415
 D801,802 S 11/2017 Loritz
 D804,322 S 12/2017 Fox et al.
 D804,323 S * 12/2017 Harrison D9/756
 D804,962 S 12/2017 Fox et al.
 D823,697 S 7/2018 Bumpass et al.
 D879,601 S * 3/2020 Dorr D9/415
 D880,291 S * 4/2020 Meizlish D9/415
 D910,755 S * 2/2021 Milbrandt D20/22
 D940,569 S * 1/2022 Pierron O'Hara D9/415
 2002/0030062 A1 3/2002 Garrant et al.
 2003/0111384 A1 6/2003 Schein et al.
 2003/0155276 A1 8/2003 Gaffney et al.
 2004/0011698 A1 1/2004 Gaffney et al.
 2005/0103680 A1 5/2005 Nakatsu et al.
 2005/0269237 A1 12/2005 Tung et al.
 2013/0015197 A1 1/2013 Gauthier
 2016/0329536 A1 11/2016 Dorr et al.
 2018/0013116 A1 1/2018 Dorr et al.

* cited by examiner

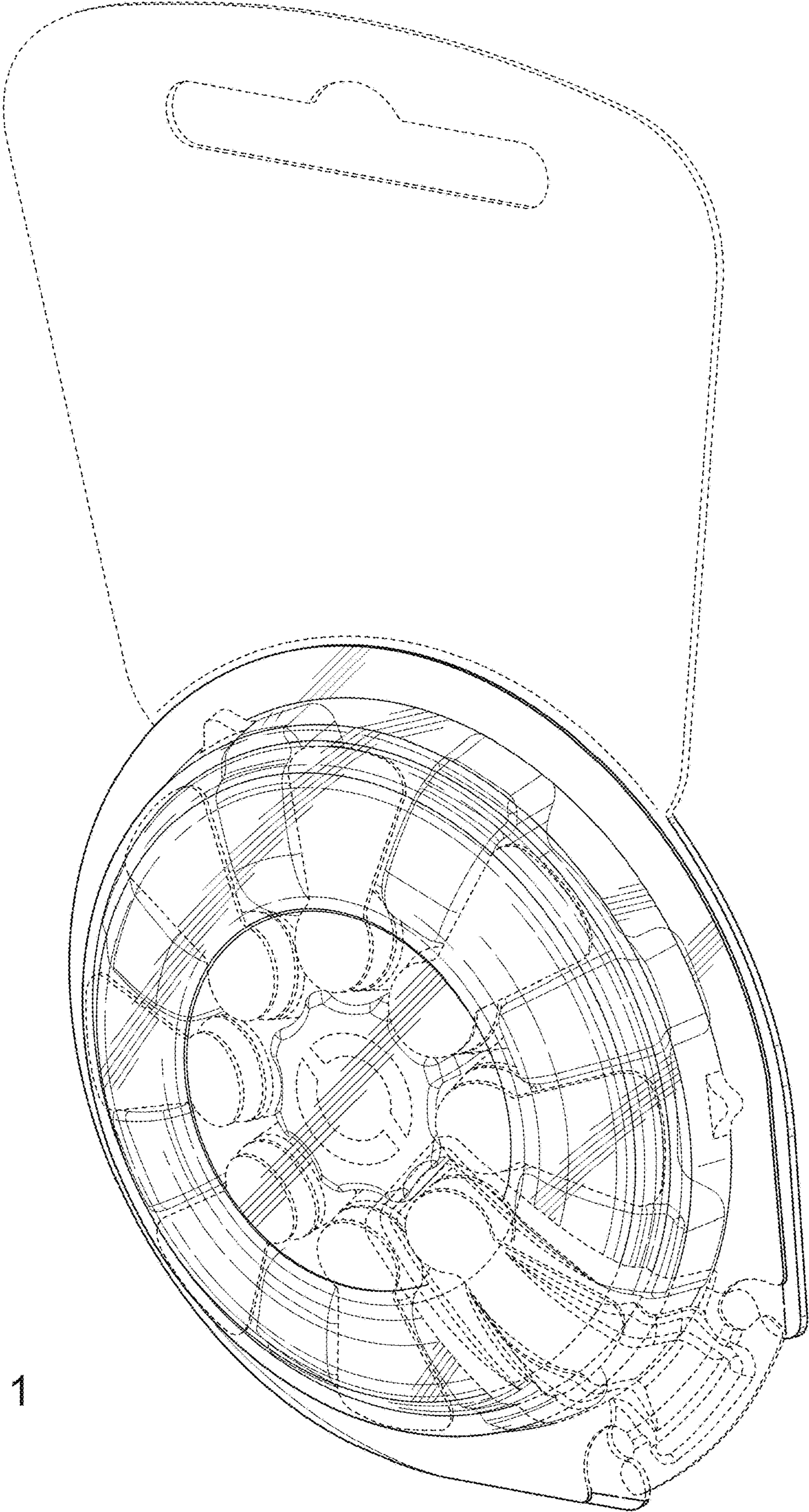


FIG. 1

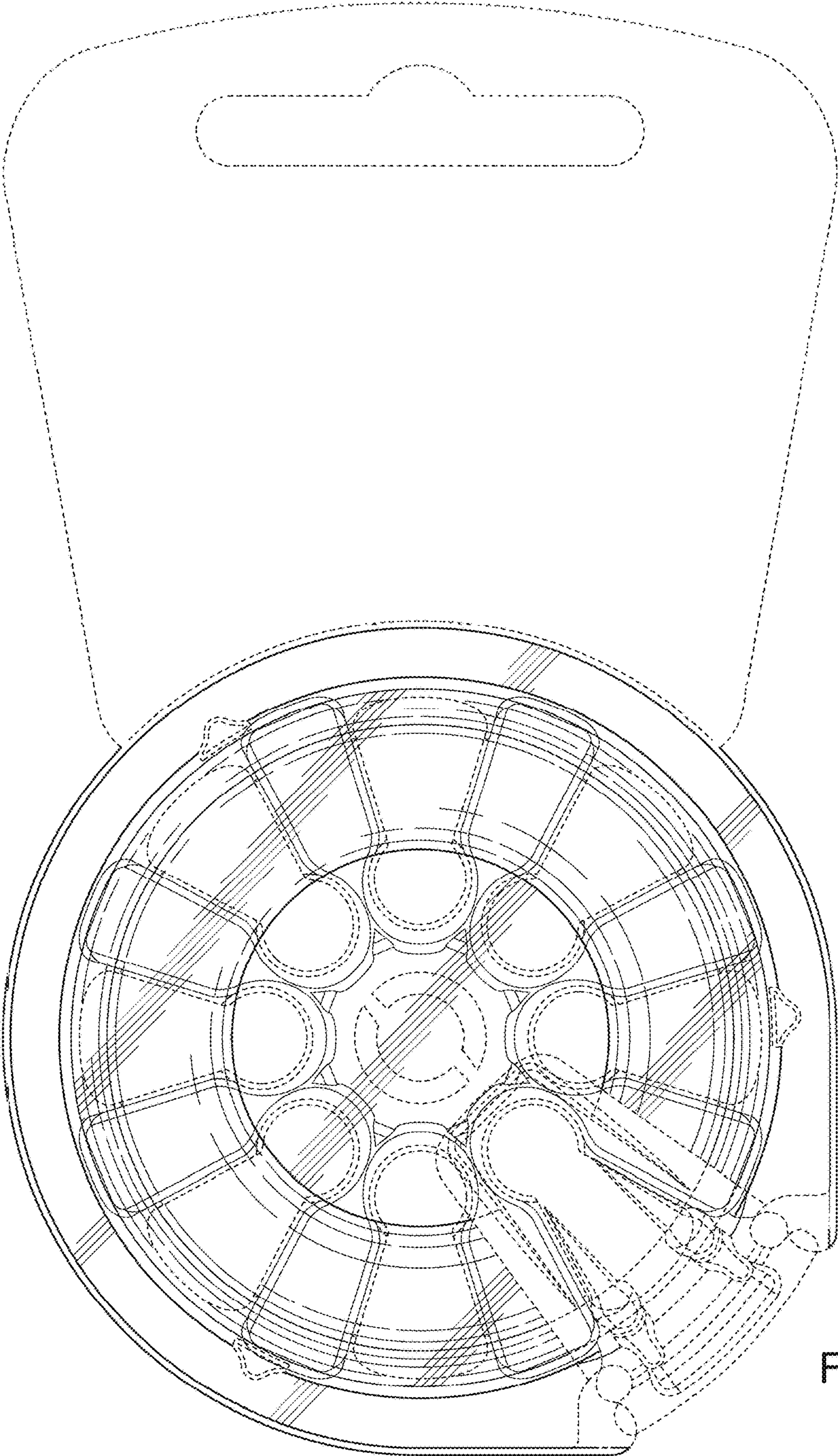


FIG. 2

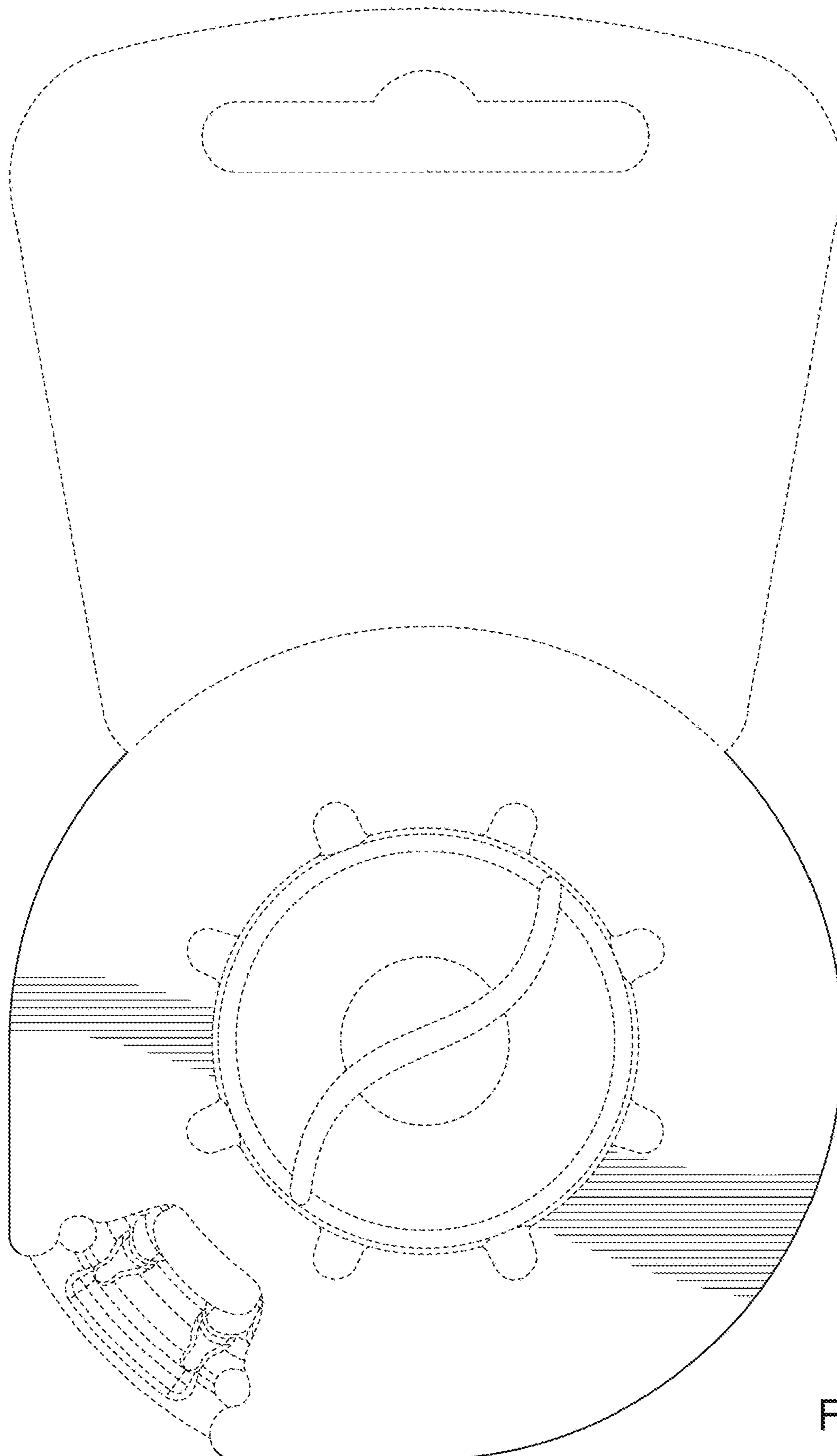


FIG. 3

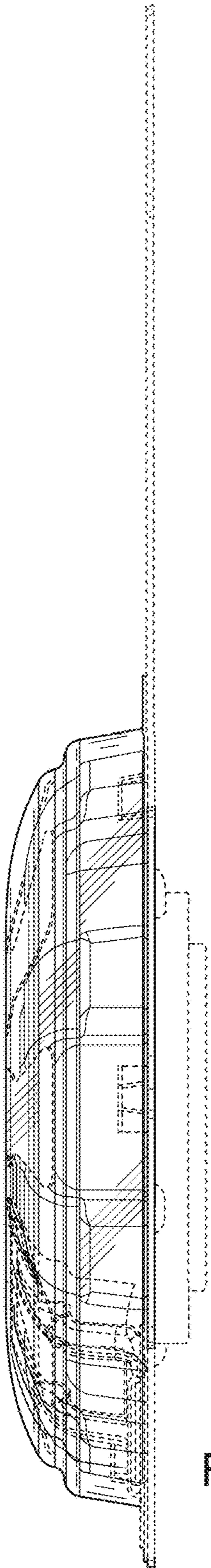


FIG. 4

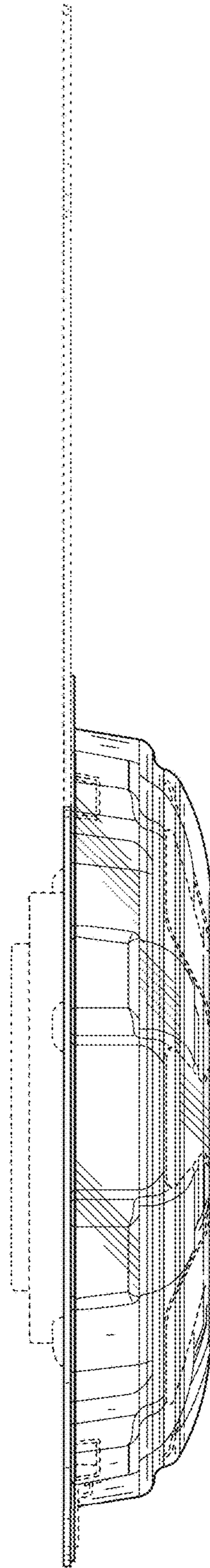


FIG. 5

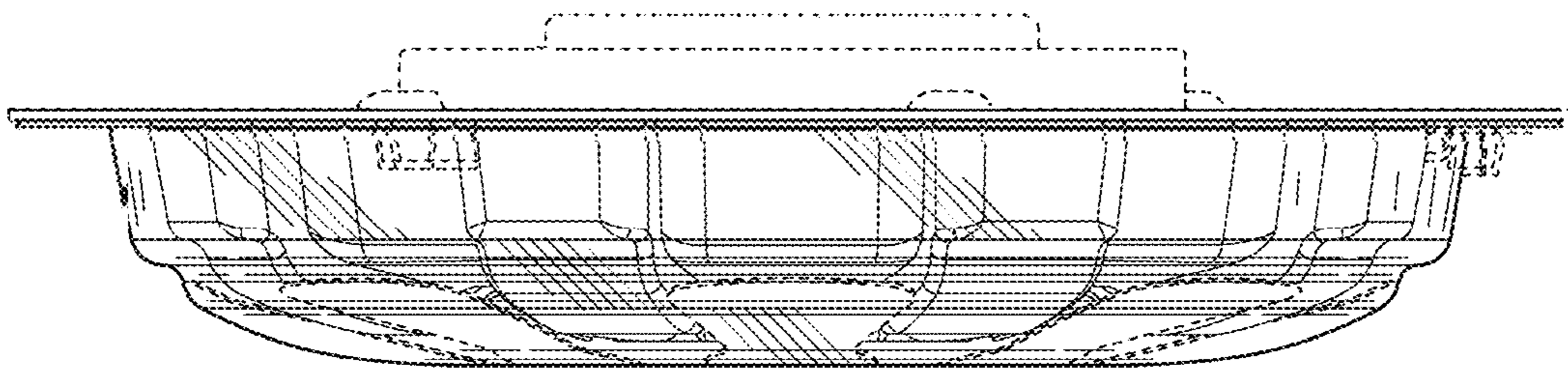


FIG. 6

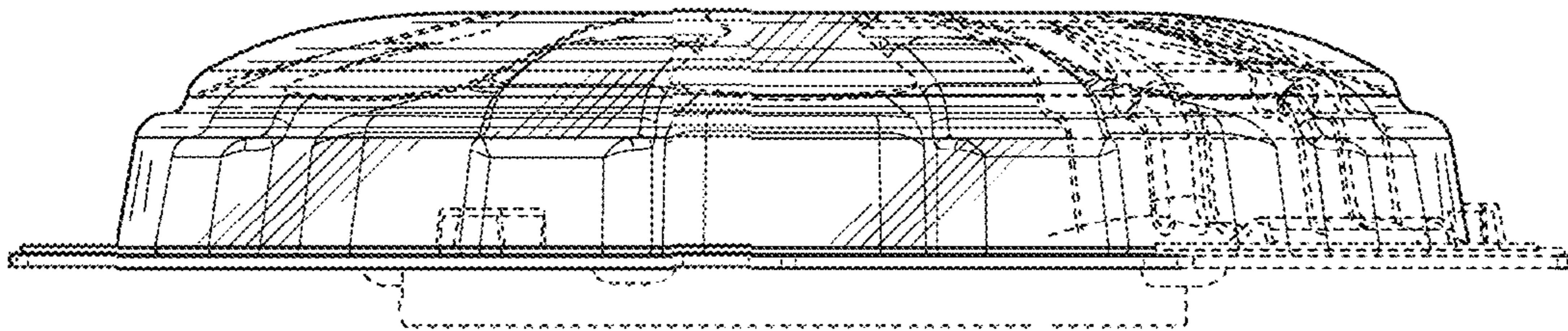


FIG. 7