



US00D985381S

(12) **United States Design Patent** (10) **Patent No.:** **US D985,381 S**
Deng (45) **Date of Patent:** **** May 9, 2023**

(54) **CLASP**
(71) Applicant: **Zhaojun Deng**, Changning (CN)
(72) Inventor: **Zhaojun Deng**, Changning (CN)
(**) Term: **15 Years**
(21) Appl. No.: **29/761,878**
(22) Filed: **Dec. 12, 2020**
(51) **LOC (14) Cl.** **08-08**
(52) **U.S. Cl.**
USPC **D8/382; D8/383**
(58) **Field of Classification Search**
USPC D8/382, 394, 395, 383, 349, 367, 356,
D8/44; D11/220
CPC Y10T 24/3427; Y10T 24/3428; Y10T
24/3429; Y10T 24/3433; Y10T 24/3449;
Y10T 24/3451; Y10T 24/3453; Y10T
24/44; A01K 27/005; A44B 15/00; F16B
45/002; F16B 45/04; F16B 45/02; F16B
2/00; A63B 29/00
See application file for complete search history.

(56) **References Cited**
U.S. PATENT DOCUMENTS
360,522 A * 4/1887 Hardy F16B 45/04
24/165
582,220 A * 5/1897 McClory F16B 45/04
24/600.7

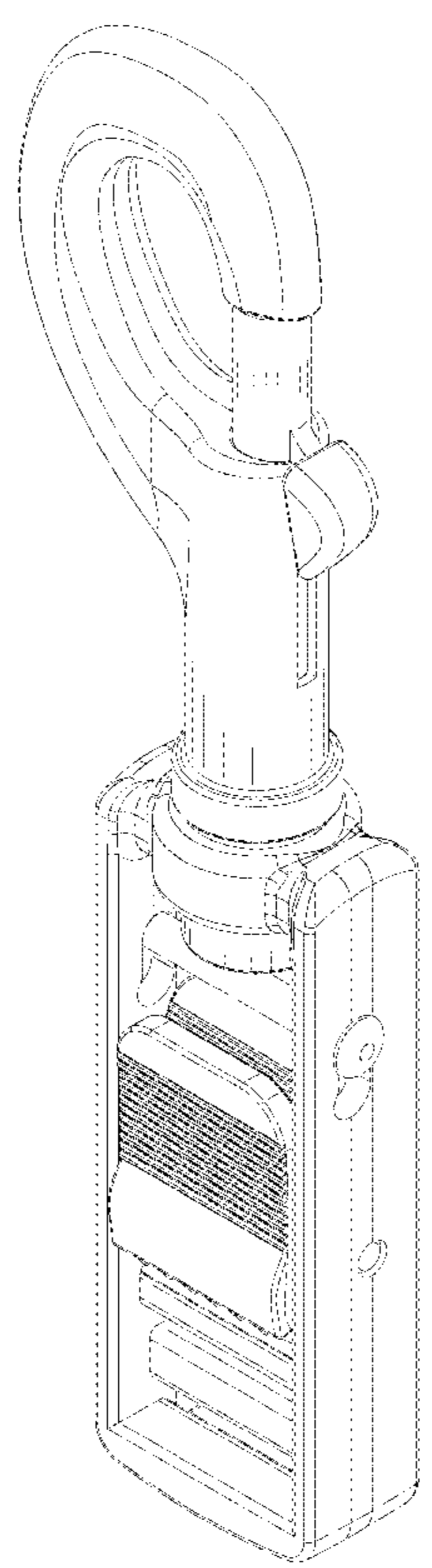
620,569 A * 3/1899 Covert F16B 45/04
24/600.7
D212,715 S * 11/1968 Fox D8/394
D267,230 S * 12/1982 LaViolette D8/382
4,372,016 A * 2/1983 LaViolette F16B 45/02
24/600.7
4,689,860 A * 9/1987 Suchowski A01K 27/005
24/600.7
D377,155 S * 1/1997 Takimoto D11/216
D425,781 S * 5/2000 Hopper D8/382
D543,095 S * 5/2007 Eriksson D8/382
2012/0304942 A1* 12/2012 Louro A01K 27/005
119/792
2018/0027769 A1* 2/2018 Starbuck A01K 15/003

* cited by examiner
Primary Examiner — Calvin E Vansant
Assistant Examiner — Benjamin Lucas Gray

(57) **CLAIM**
The ornamental design for a clasp, as shown and described.

DESCRIPTION
FIG. 1 is a front perspective view of the clasp showing my new design;
FIG. 2 is a rear perspective view thereof;
FIG. 3 is a front elevational view thereof;
FIG. 4 is a rear elevational view thereof;
FIG. 5 is a left side elevational view thereof;
FIG. 6 is a right side elevational view thereof;
FIG. 7 is a top plan view thereof; and,
FIG. 8 is a bottom plan view thereof.

1 Claim, 7 Drawing Sheets



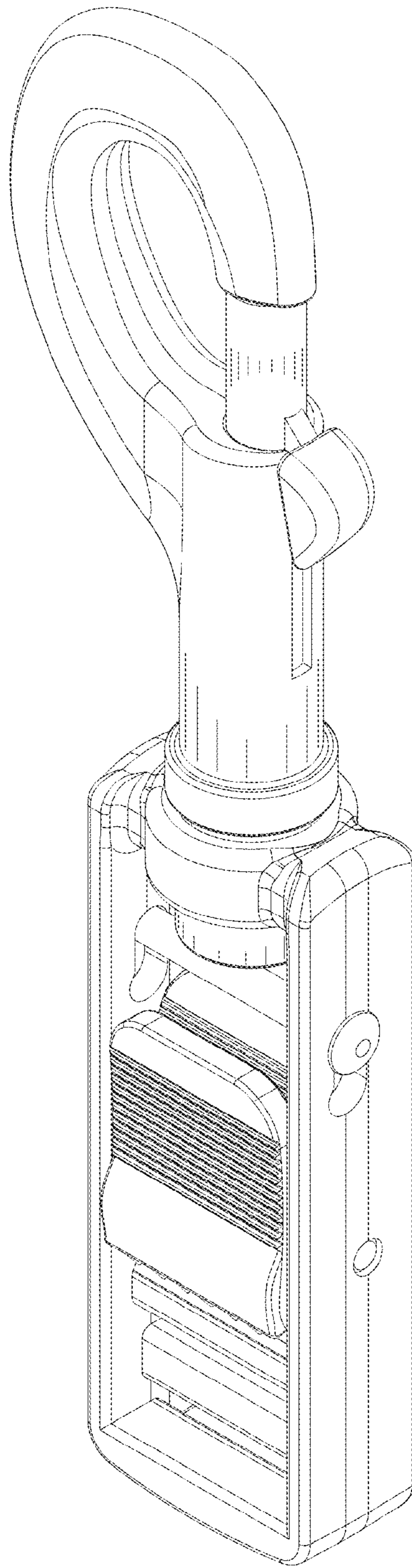


FIG. 1

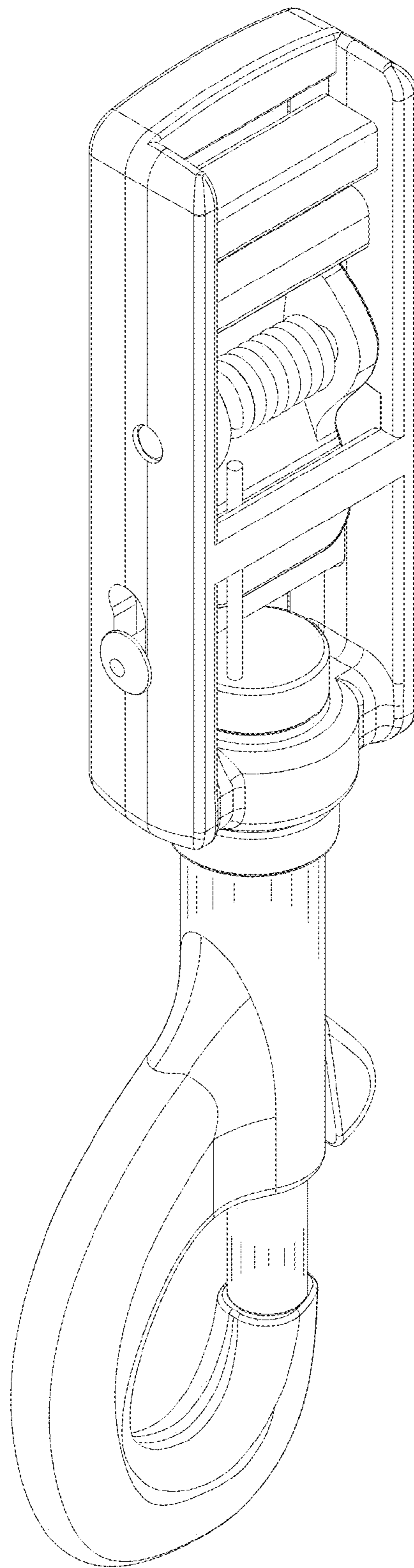


FIG. 2

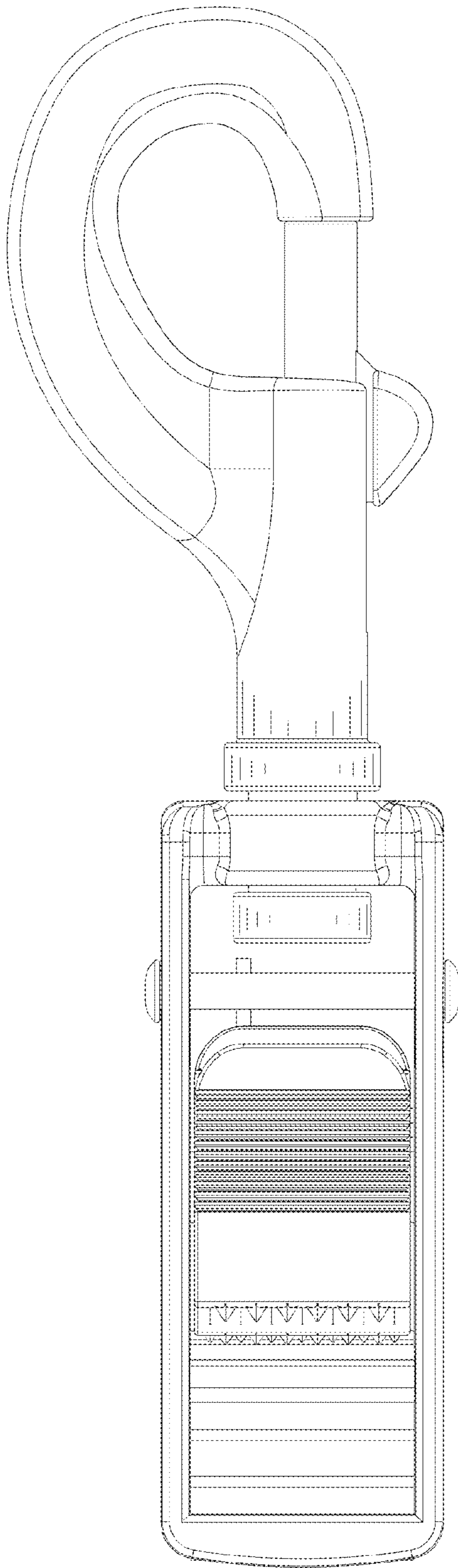


FIG. 3

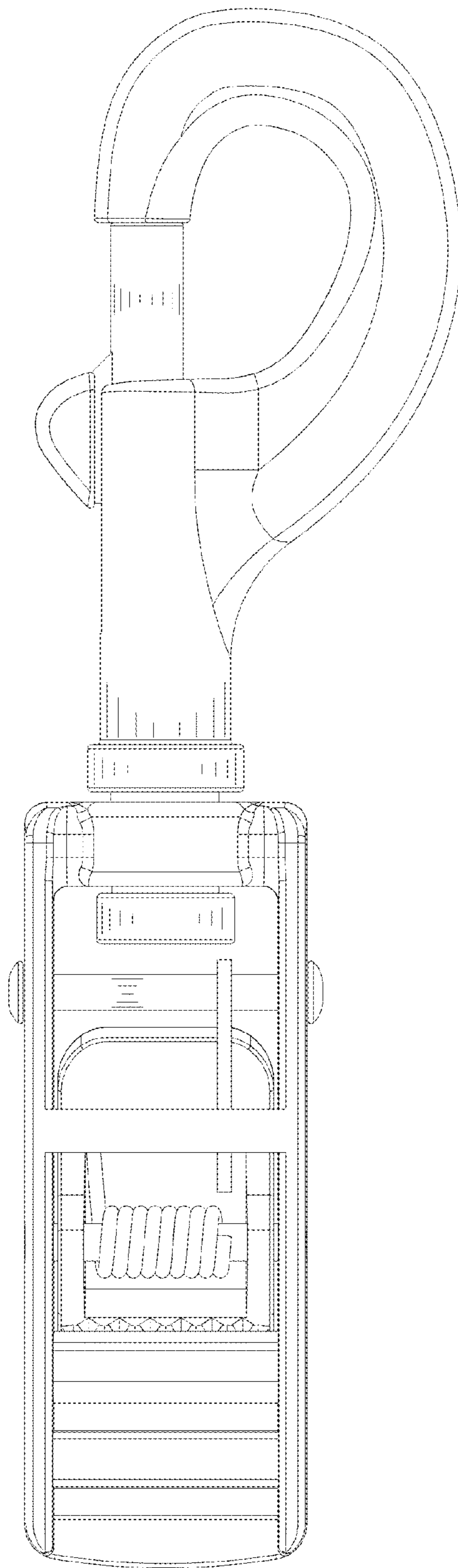


FIG. 4

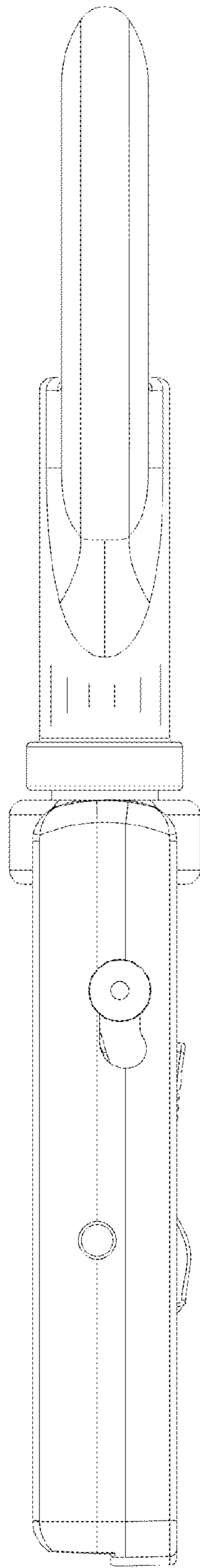


FIG. 5

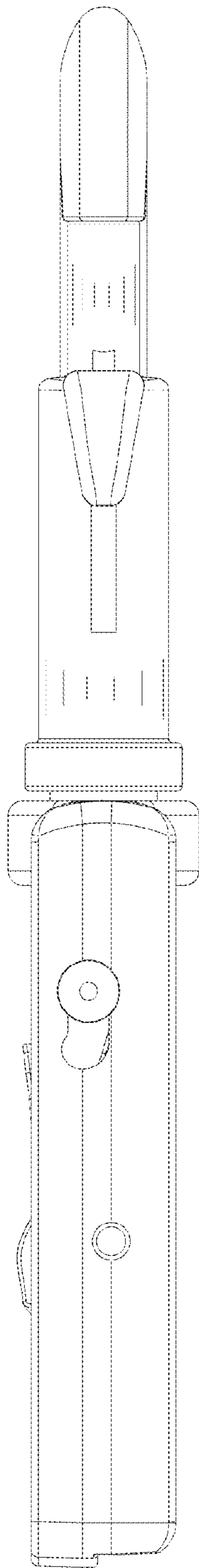


FIG. 6

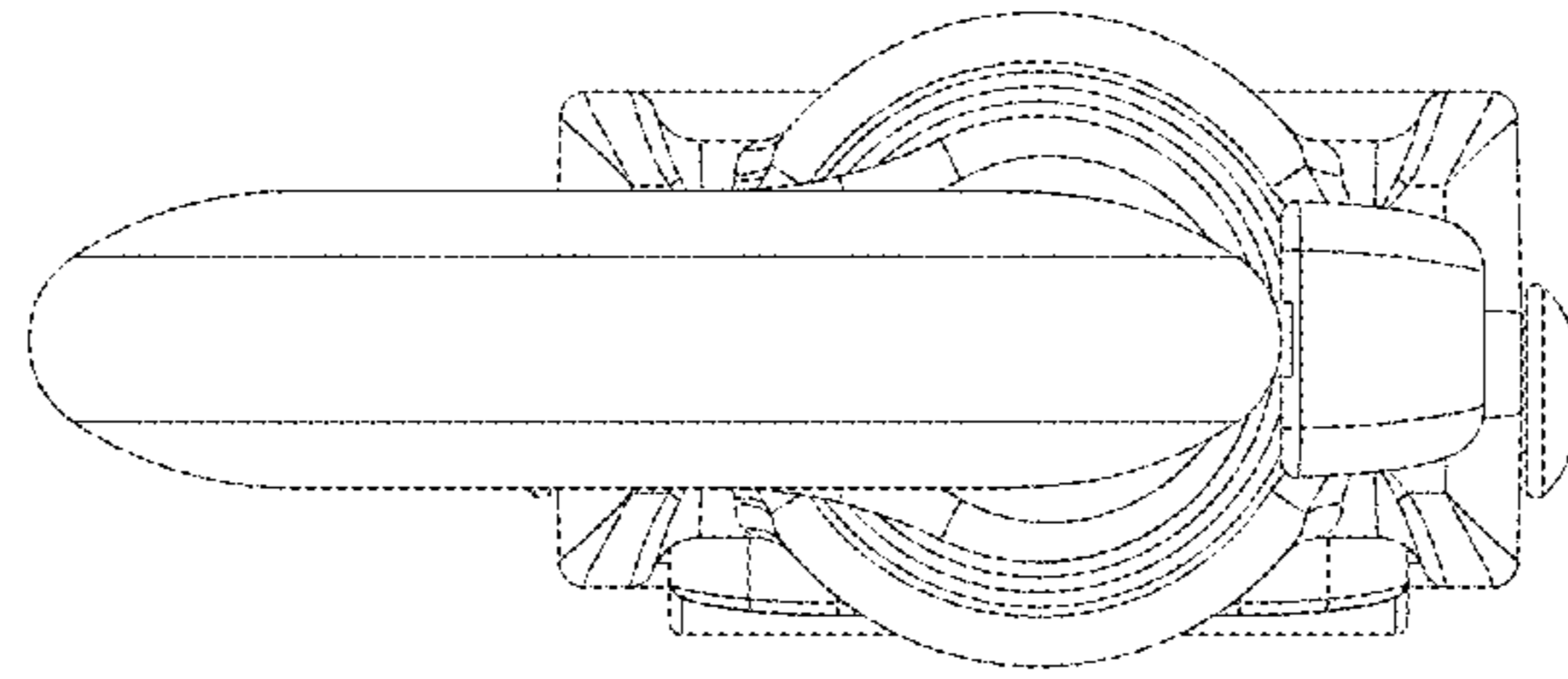


FIG. 7

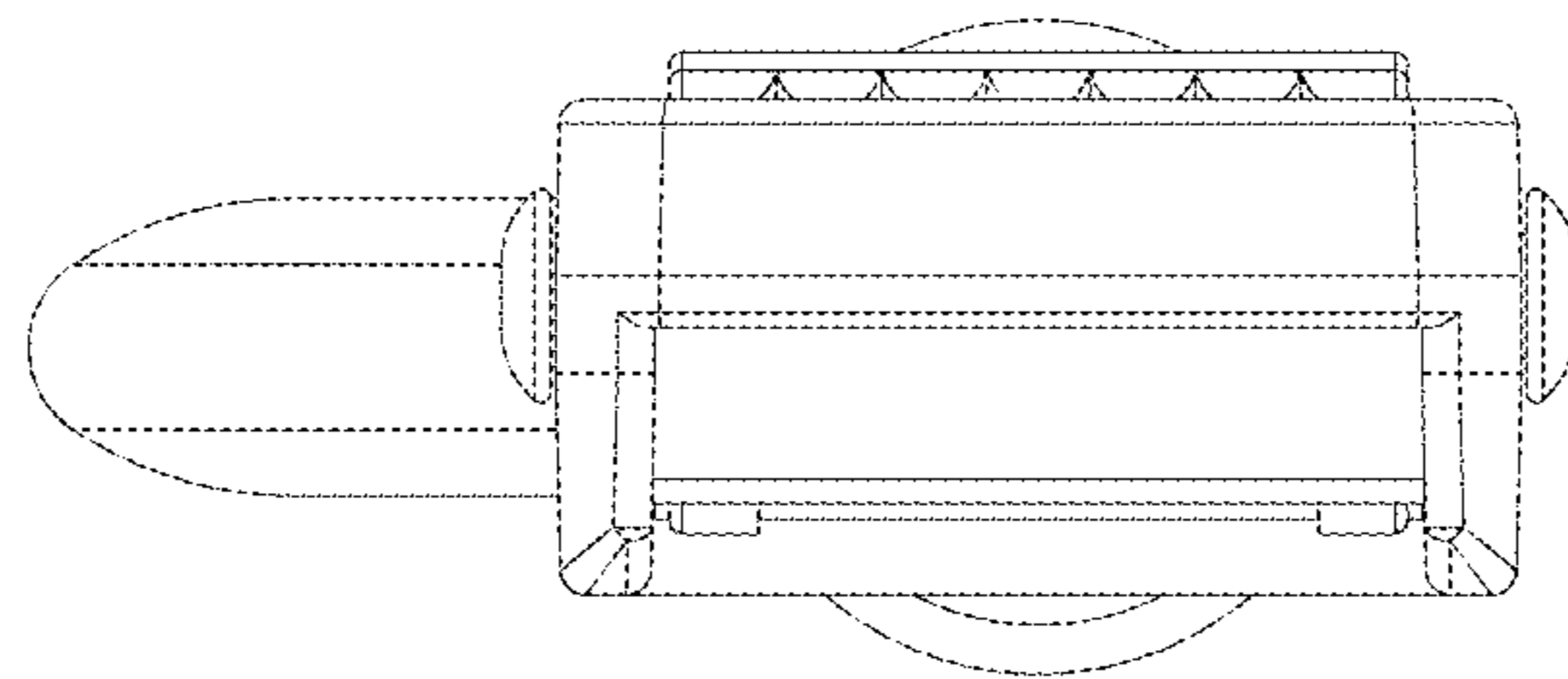


FIG. 8