



US00D985380S

(12) **United States Design Patent** (10) **Patent No.:** **US D985,380 S**  
**Vuuren et al.** (45) **Date of Patent:** **\*\* May 9, 2023**

(54) **BEAM CLAMP**  
(71) Applicant: **Polyplas International Pty Ltd.,**  
Rowville (AU)  
(72) Inventors: **John Van Vuuren, Rowville (AU);**  
**Tinus Smith, Rowville (AU)**  
(73) Assignee: **Polyplas International Pty Ltd.,**  
Rowville (AU)  
(\*\*) Term: **15 Years**  
(21) Appl. No.: **29/702,469**  
(22) Filed: **Aug. 20, 2019**  
(30) **Foreign Application Priority Data**

D556,531 S \* 12/2007 Allen ..... D8/72  
D583,640 S \* 12/2008 Gilham ..... D8/73  
7,490,802 B1 \* 2/2009 Teng ..... A47B 96/063  
248/229.15  
D629,679 S \* 12/2010 Riddell ..... D8/394  
7,971,838 B2 \* 7/2011 Osborn ..... F24F 13/0254  
248/231.71  
D652,288 S \* 1/2012 Mercier ..... D8/396  
D730,708 S \* 6/2015 Spector ..... D8/73  
D743,244 S \* 11/2015 Anderson ..... D8/394  
D763,671 S \* 8/2016 Sizelove ..... D8/394  
D767,983 S \* 10/2016 Jiang ..... D8/394  
D793,851 S \* 8/2017 Mann ..... D8/394  
D812,456 S \* 3/2018 Nolta ..... D8/373  
D820,062 S \* 6/2018 Martin ..... D8/73  
D825,307 S \* 8/2018 Peterman ..... D8/73  
10,174,511 B2 \* 1/2019 Lutes ..... F16B 7/22  
D852,612 S \* 7/2019 Paik ..... D8/394  
D858,242 S \* 9/2019 Lund ..... D8/72

(Continued)

Feb. 20, 2019 (AU) ..... 201910898  
(51) **LOC (14) Cl.** ..... **08-08**  
(52) **U.S. Cl.**  
USPC ..... **D8/394**  
(58) **Field of Classification Search**  
USPC ..... D8/72, 73, 354, 373, 374, 394, 395, 396  
CPC ... B25B 5/16; B25B 5/101; F16L 3/24; F16B  
31/021; F16B 2/065; F16B 2/005; F16B  
45/00; F16B 5/0635; F16B 45/002  
See application file for complete search history.

(56) **References Cited**  
U.S. PATENT DOCUMENTS  
D358,971 S \* 6/1995 Glynn ..... D8/73  
D378,343 S \* 3/1997 Macor ..... D8/73  
D390,241 S \* 2/1998 Mori ..... D15/140  
D393,998 S \* 5/1998 Anderson ..... D8/394  
5,934,655 A \* 8/1999 Mattoon ..... B25B 5/16  
269/37  
6,898,905 B1 \* 5/2005 Kirschner ..... F16B 2/12  
52/703  
D551,528 S \* 9/2007 Vautour ..... D8/72

**OTHER PUBLICATIONS**

Rikta Seismic Beam Clamp, riktaseismic.com, <https://riktaseismic.com/product/pm-seismic-beam-clamp/> (Year: 2022).\*

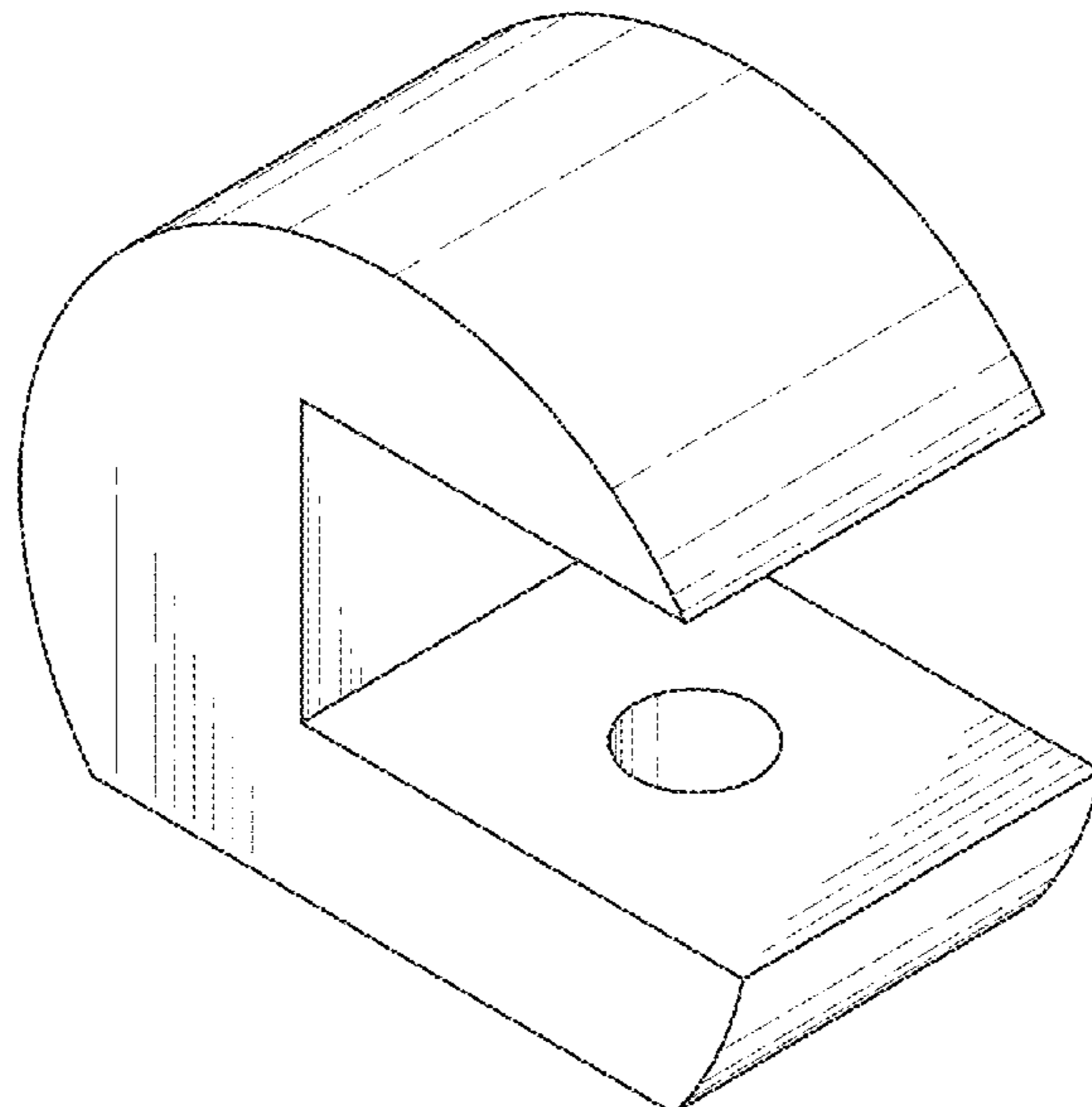
*Primary Examiner* — Steven J Czyz  
(74) *Attorney, Agent, or Firm* — EcoTech Law Group, P.C.

(57) **CLAIM**  
The ornamental design for a beam clamp, as shown.

**DESCRIPTION**

FIG. 1 is a perspective view of a beam clamp according to the present invention;  
FIG. 2: is a left side view of the beam clamp of FIG. 1;  
FIG. 3: is a front view of the beam clamp of FIG. 1;  
FIG. 4: is a rear view of the beam clamp of FIG. 1;  
FIG. 5: is a top view of the beam clamp of FIG. 1; and,  
FIG. 6: is a bottom view of the beam clamp of FIG. 1.

**1 Claim, 6 Drawing Sheets**



(56)

**References Cited**

U.S. PATENT DOCUMENTS

D860,628	S *	9/2019	Hu	.....	D3/10
D873,109	S *	1/2020	Goto	.....	D8/72
D892,606	S *	8/2020	Sullivan	.....	D8/382
D945,848	S *	3/2022	Maring	.....	D8/499
D945,860	S *	3/2022	McGrath	.....	D8/354
D955,867	S *	6/2022	Zhou	.....	B25B 5/101
					D8/394
2003/0160137	A1 *	8/2003	Shuey	.....	F16G 11/108
					174/40 R
2008/0277536	A1 *	11/2008	Olle	.....	F16B 37/0807
					403/374.3
2009/0139156	A1 *	6/2009	Magno, Jr.	.....	F16B 2/065
					52/127.9
2009/0258548	A1 *	10/2009	Kossak	.....	F16B 2/065
					439/803
2013/0020447	A1 *	1/2013	Heath	.....	F16B 2/065
					248/58
2013/0214098	A1 *	8/2013	Greenfield	.....	F16L 3/11
					248/62
2015/0083876	A1 *	3/2015	Nehls	.....	F16L 3/00
					29/428
2016/0083070	A1 *	3/2016	Westphal	.....	F16B 2/12
					244/119
2016/0084285	A1 *	3/2016	Westphal	.....	F16B 7/0486
					244/119
2016/0138634	A1 *	5/2016	Zhang	.....	E04B 1/5812
					52/698
2016/0377101	A1 *	12/2016	Jiang	.....	F16B 2/065
					24/522
2019/0211858	A1 *	7/2019	Nehls	.....	F16B 7/0453
2020/0300282	A1 *	9/2020	Swinney	.....	B25B 5/101
2021/0154800	A1 *	5/2021	Jacobson	.....	B25B 5/14
2022/0316506	A1 *	10/2022	Luscombe	.....	F16L 3/24

\* cited by examiner

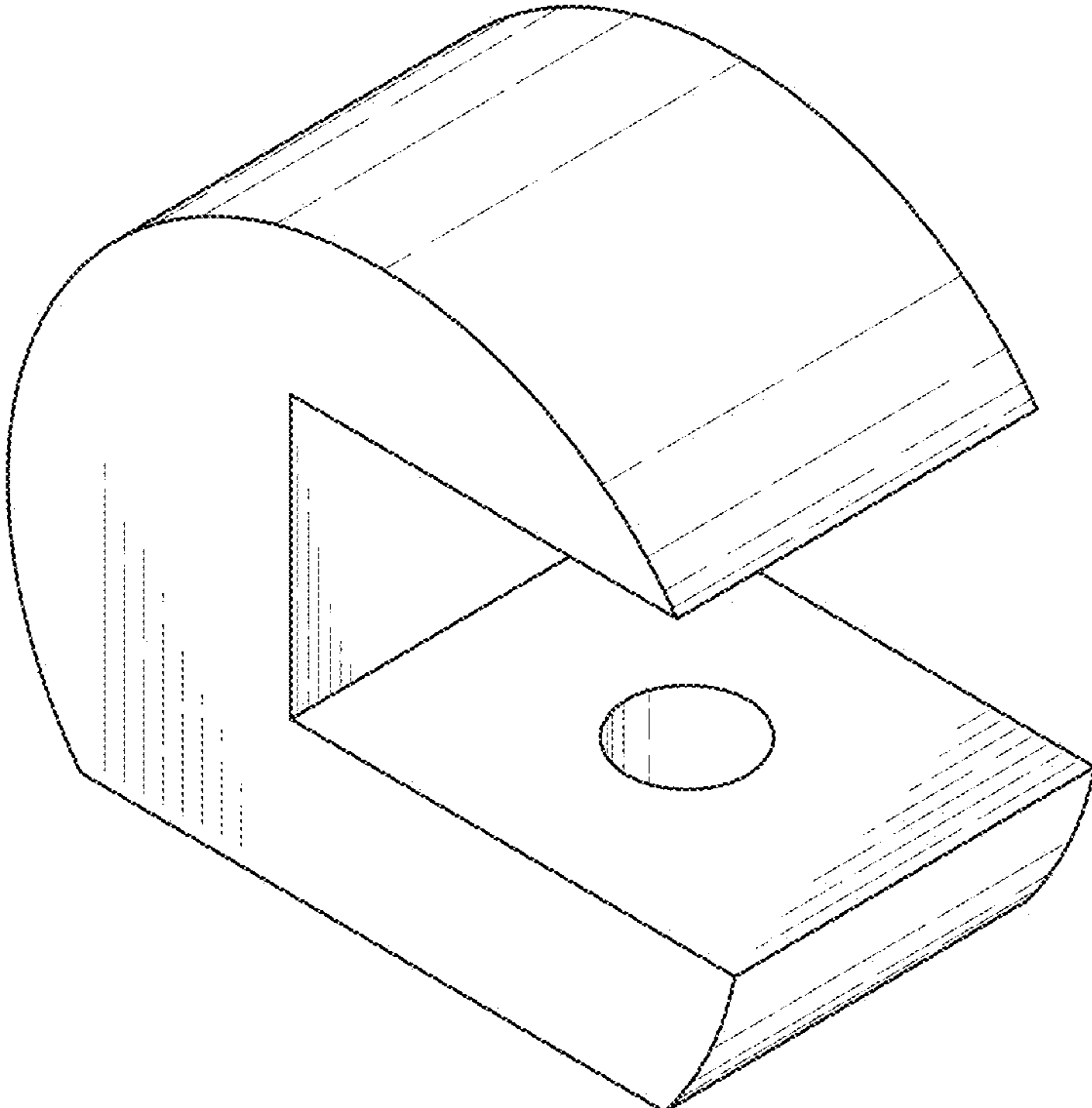


Figure 1

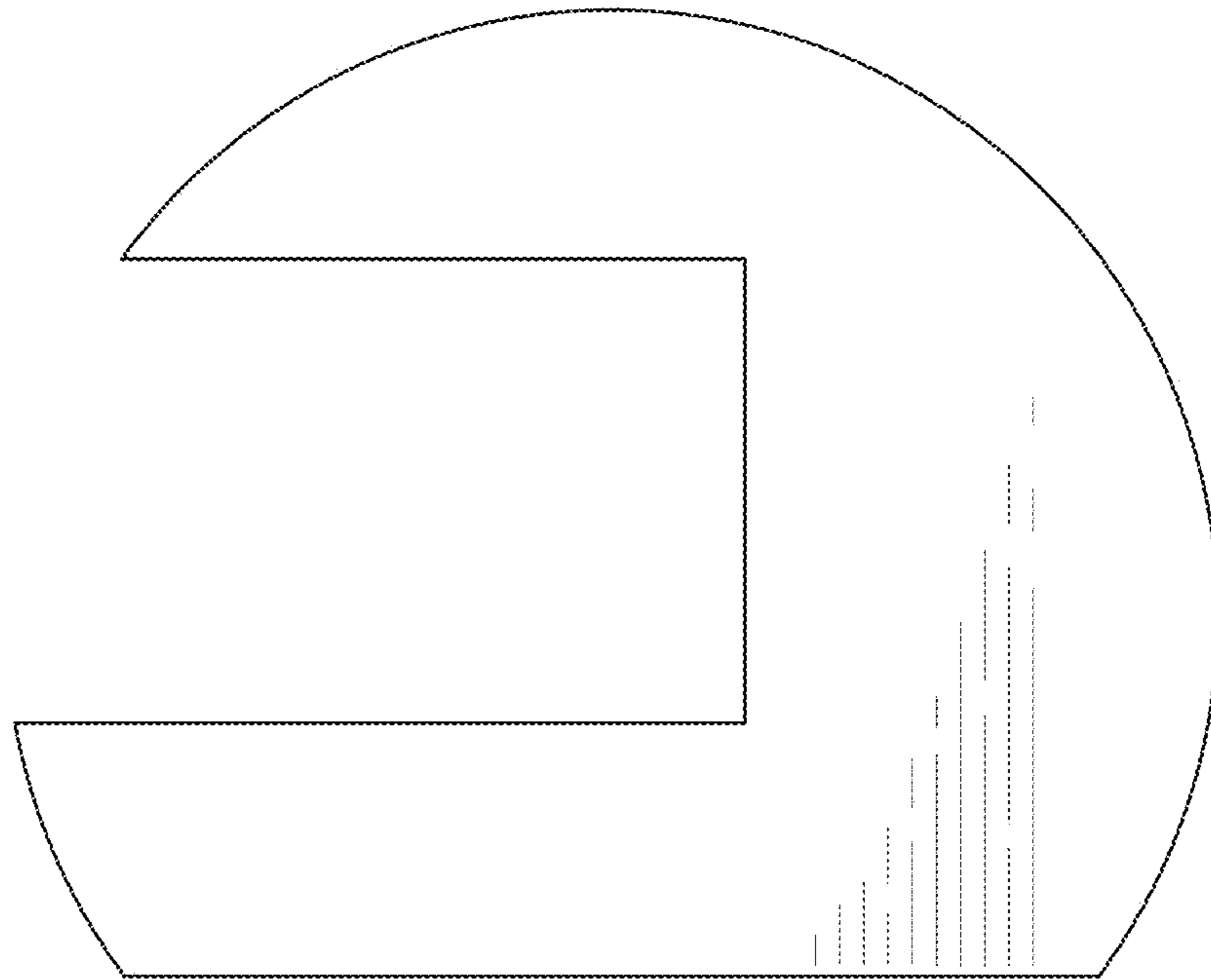


Figure 2

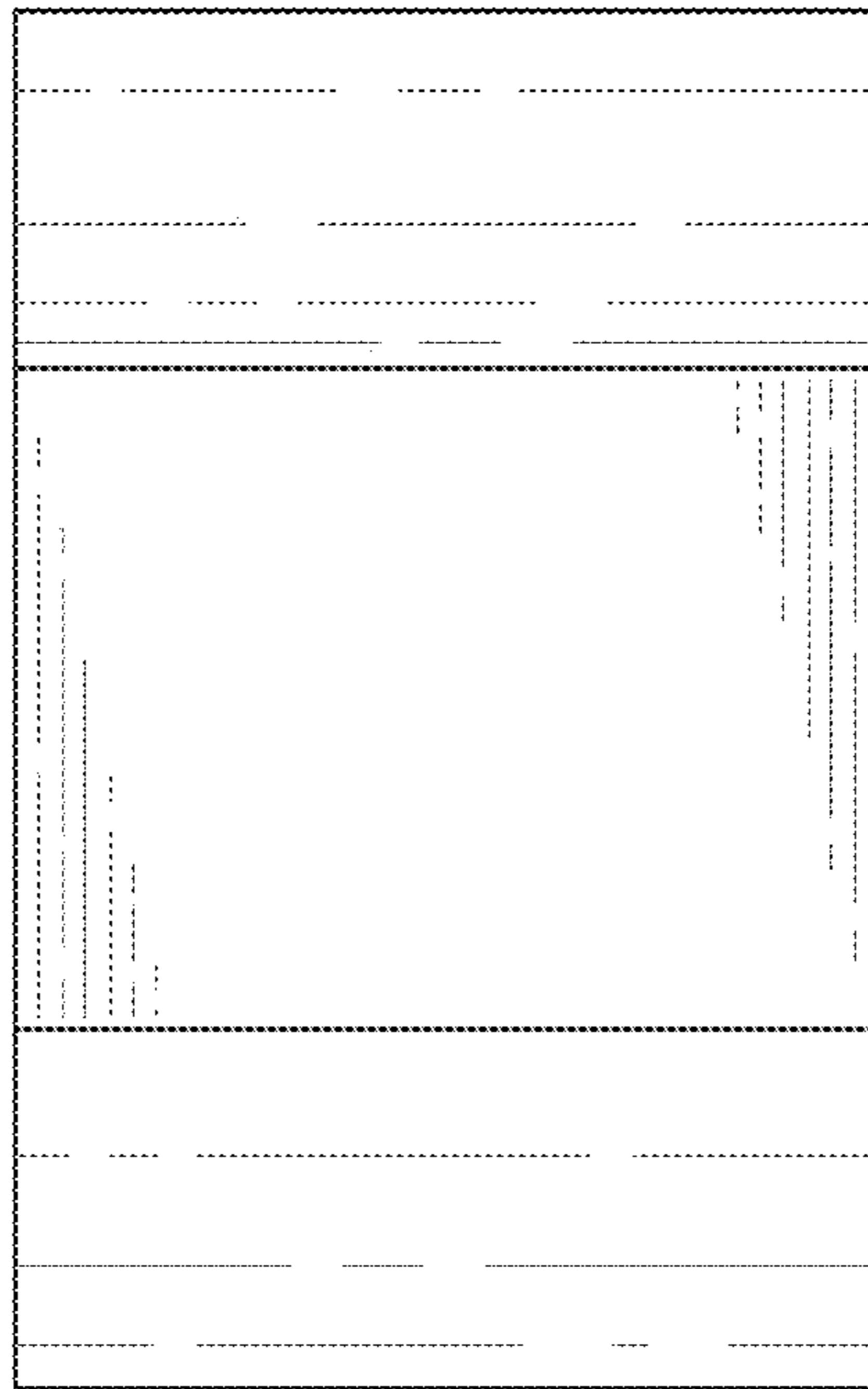


Figure 3

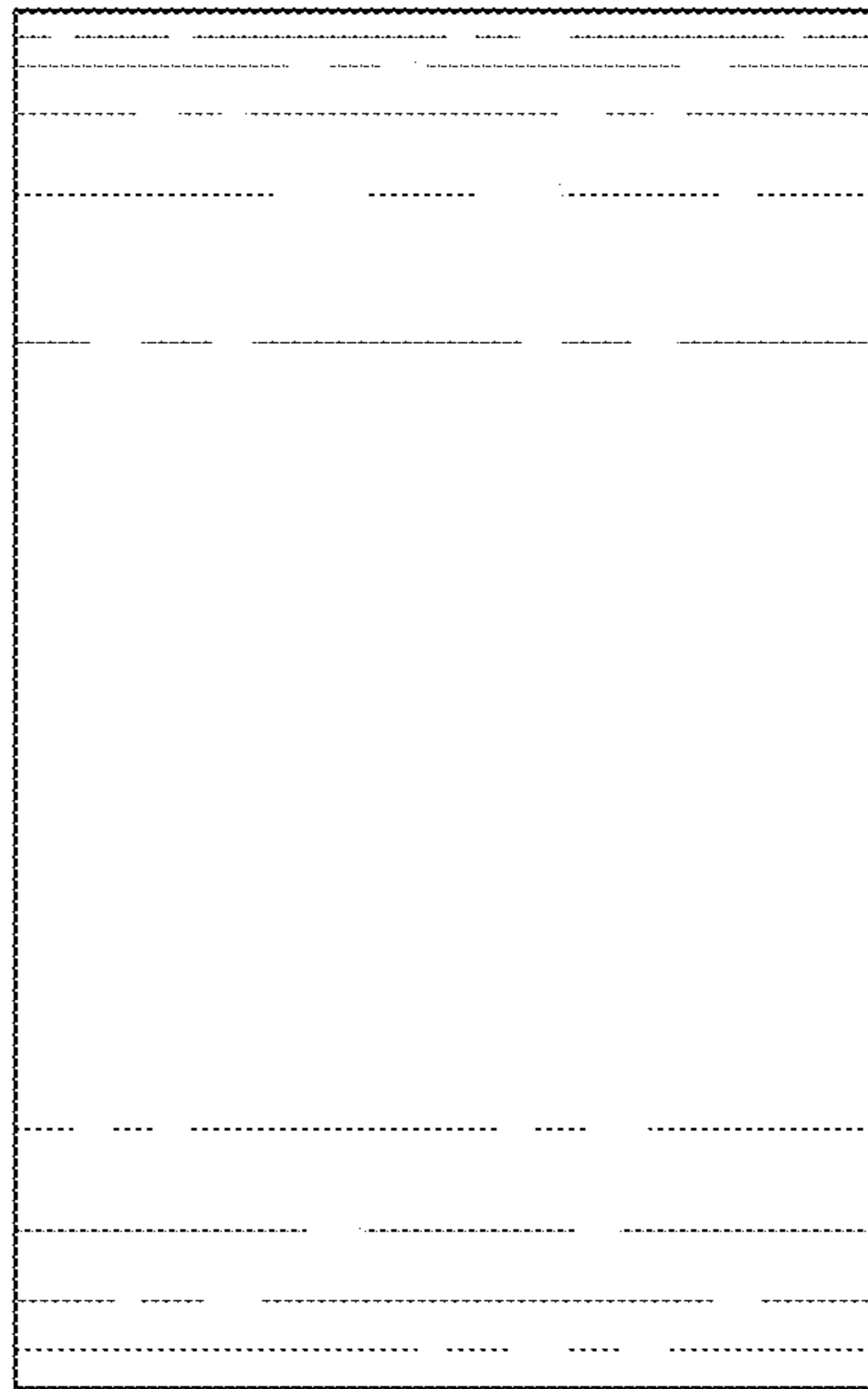


Figure 4



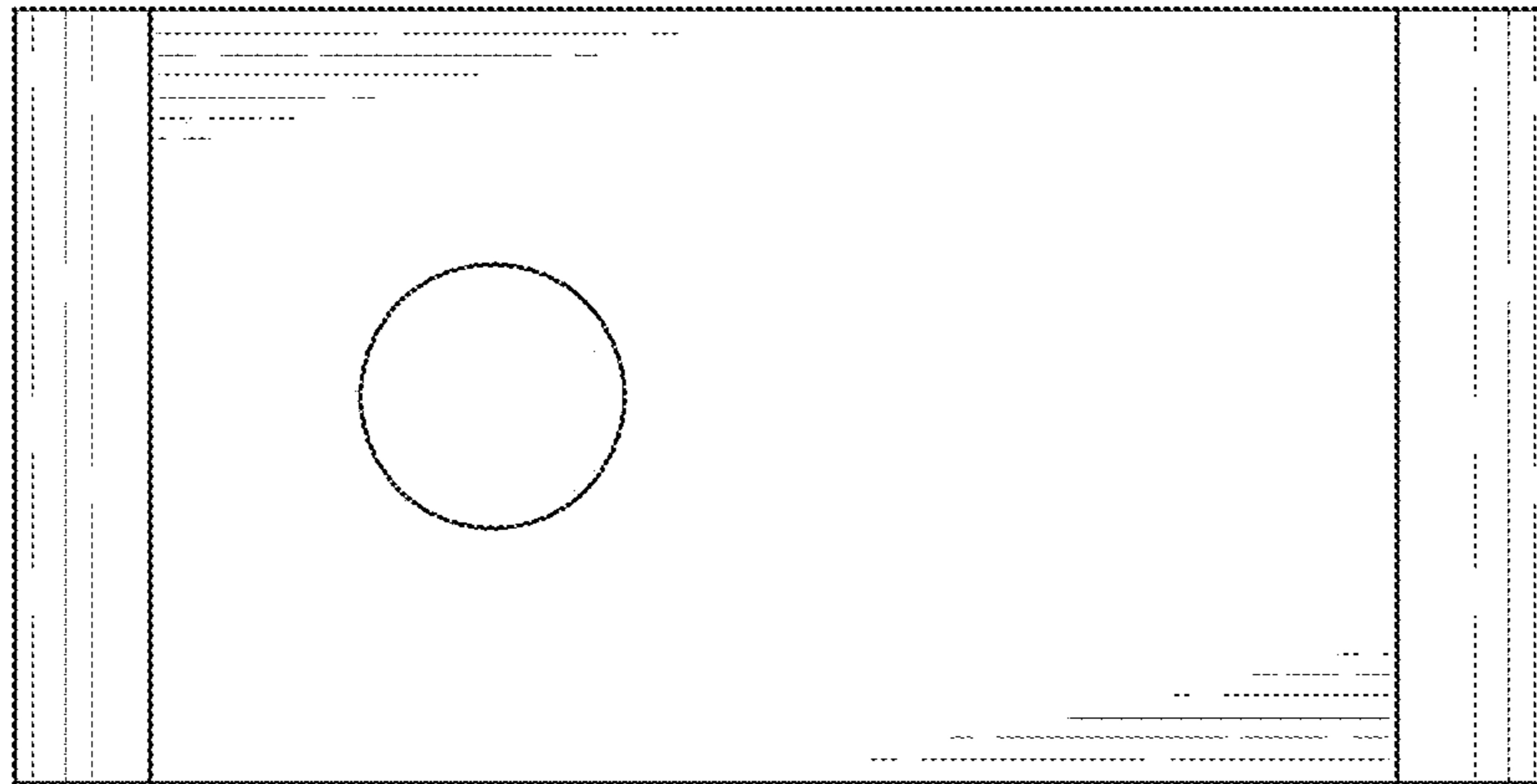


Figure 6