



US00D985378S

(12) **United States Design Patent** (10) **Patent No.:** **US D985,378 S**
Axelsson (45) **Date of Patent:** **** May 9, 2023**

(54) **FASTENING DEVICE**

(71) Applicant: **MAFI Group AB**, Mora (SE)

(72) Inventor: **Andreas Axelsson**, Malung (SE)

(73) Assignee: **MAFI GROUP AB**, Mora (SE)

(**) Term: **15 Years**

(21) Appl. No.: **29/836,671**

(22) Filed: **Apr. 28, 2022**

(30) **Foreign Application Priority Data**

Oct. 28, 2021 (EM) 008740641-0001

(51) **LOC (14) Cl.** **08-08**

(52) **U.S. Cl.**

USPC **D8/382**

(58) **Field of Classification Search**

USPC D8/16, 71, 72, 380, 381, 382, 349, 354,
D8/394; D10/103, 121; D13/133, 149,
D13/154

CPC H01Q 1/12; H01Q 1/1207; H01Q 1/1228;
H01Q 1/125; F16L 3/02; F16L 3/10;
F16L 3/1016; F16L 3/1091; F16B 2/12;
F16B 2/065; F16B 7/00; F16B 7/04;
F16B 7/0446; F16B 7/0486; F16M
13/022

See application file for complete search history.

(56) **References Cited**

U.S. PATENT DOCUMENTS

D200,099 S * 1/1965 Attwood D25/121
D257,663 S * 12/1980 McKee D8/354
D257,664 S * 12/1980 McKee D8/354
D494,978 S * 8/2004 Pfister D14/432
D653,592 S * 2/2012 Brown D12/162

D823,095 S * 7/2018 Stahl D8/382
D850,890 S * 6/2019 Cole D8/354
D876,201 S * 2/2020 Wassdahl D8/349
D886,572 S * 6/2020 Axelsson D8/382
D902,701 S * 11/2020 Smith D8/366
D916,581 S * 4/2021 Axelsson D8/349
D941,131 S * 1/2022 Axelsson D8/382
D946,389 S * 3/2022 Boberg D8/382
D955,865 S * 6/2022 Boberg D8/382
11,417,301 B2 * 8/2022 Stanley G10G 7/00
2014/0082921 A1 * 3/2014 Adams, Jr. F16B 7/04
29/525.02
2020/0063910 A1 * 2/2020 Hung F16M 13/022
2020/0318674 A1 * 10/2020 Axelsson F16B 2/12

FOREIGN PATENT DOCUMENTS

IN 321496-001-0001 * 9/2020
IN 321494-001-0001 * 3/2022

* cited by examiner

Primary Examiner — Sheryl Lane

Assistant Examiner — Ieisha N Price

(74) *Attorney, Agent, or Firm* — Nixon & Vanderhye P.C.

(57) **CLAIM**

The ornamental design for a fastening device, as shown and described.

DESCRIPTION

FIG. 1 is a top, front, left-side perspective view of a fastening device;

FIG. 2 is a bottom, rear, right-side perspective view thereof;

FIG. 3 is a top view thereof;

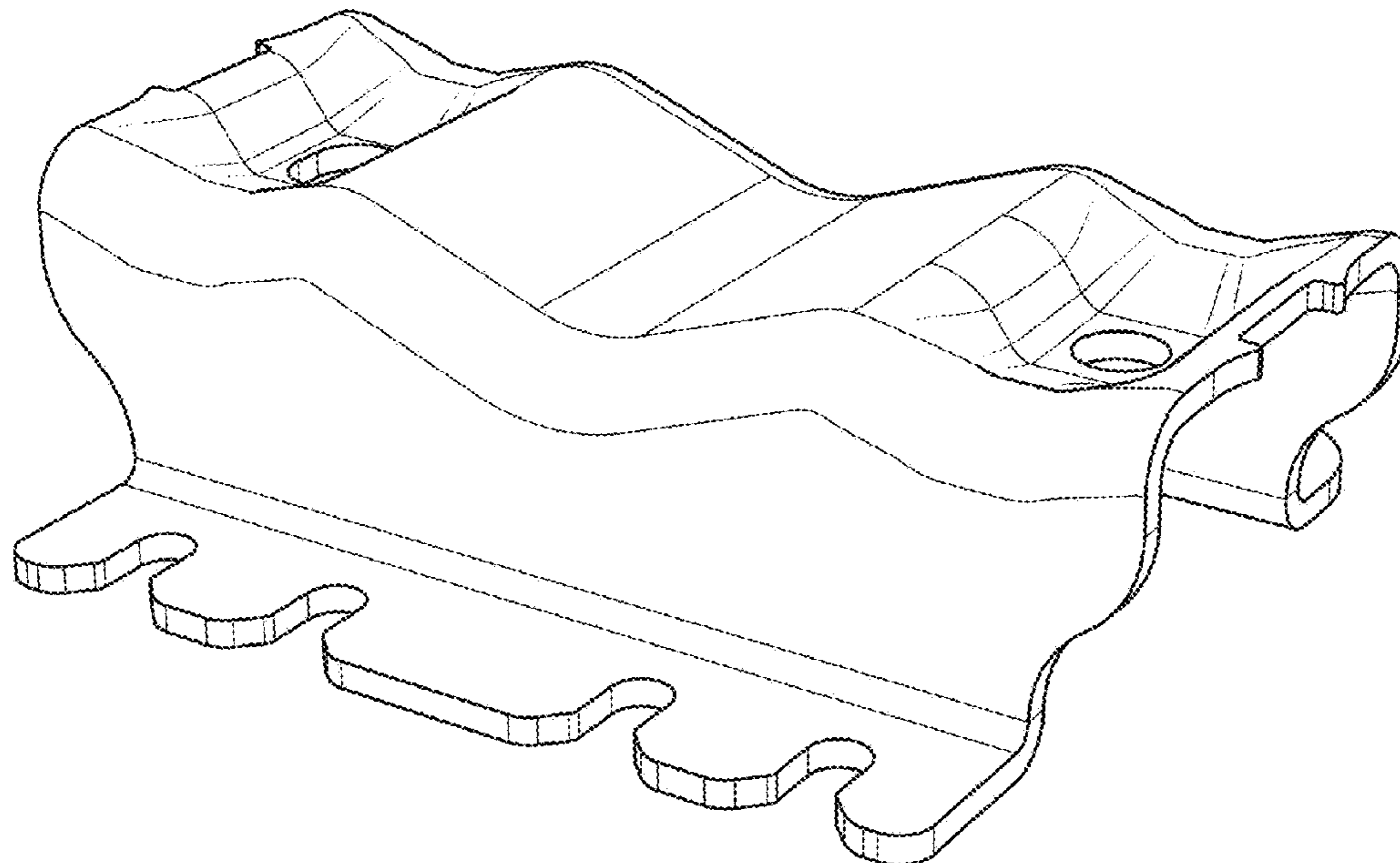
FIG. 4 is a bottom view thereof;

FIG. 5 is a left side view thereof;

FIG. 6 is a right side view thereof; and,

FIG. 7 is a front view thereof.

1 Claim, 7 Drawing Sheets



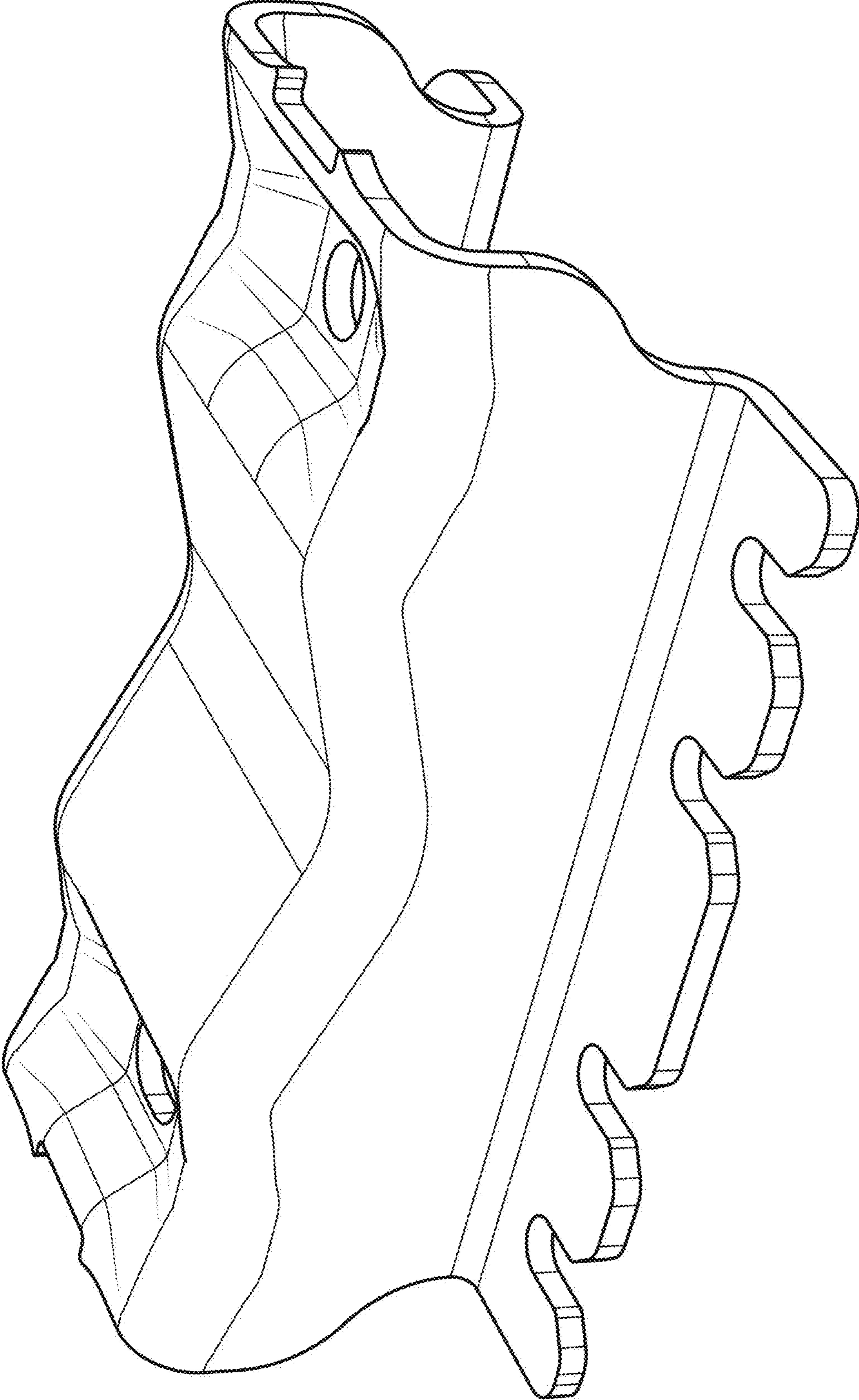


FIG. 1

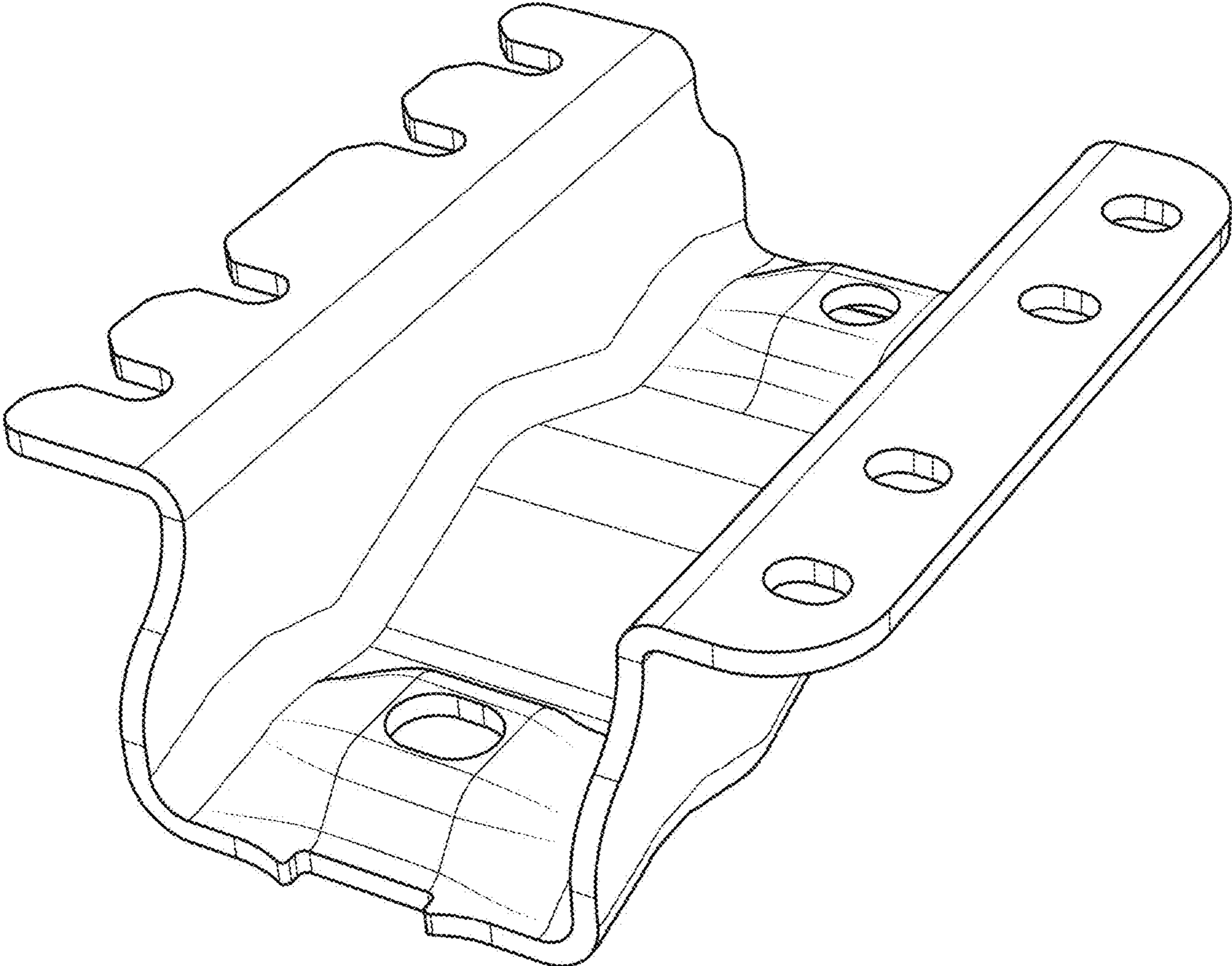


FIG. 2

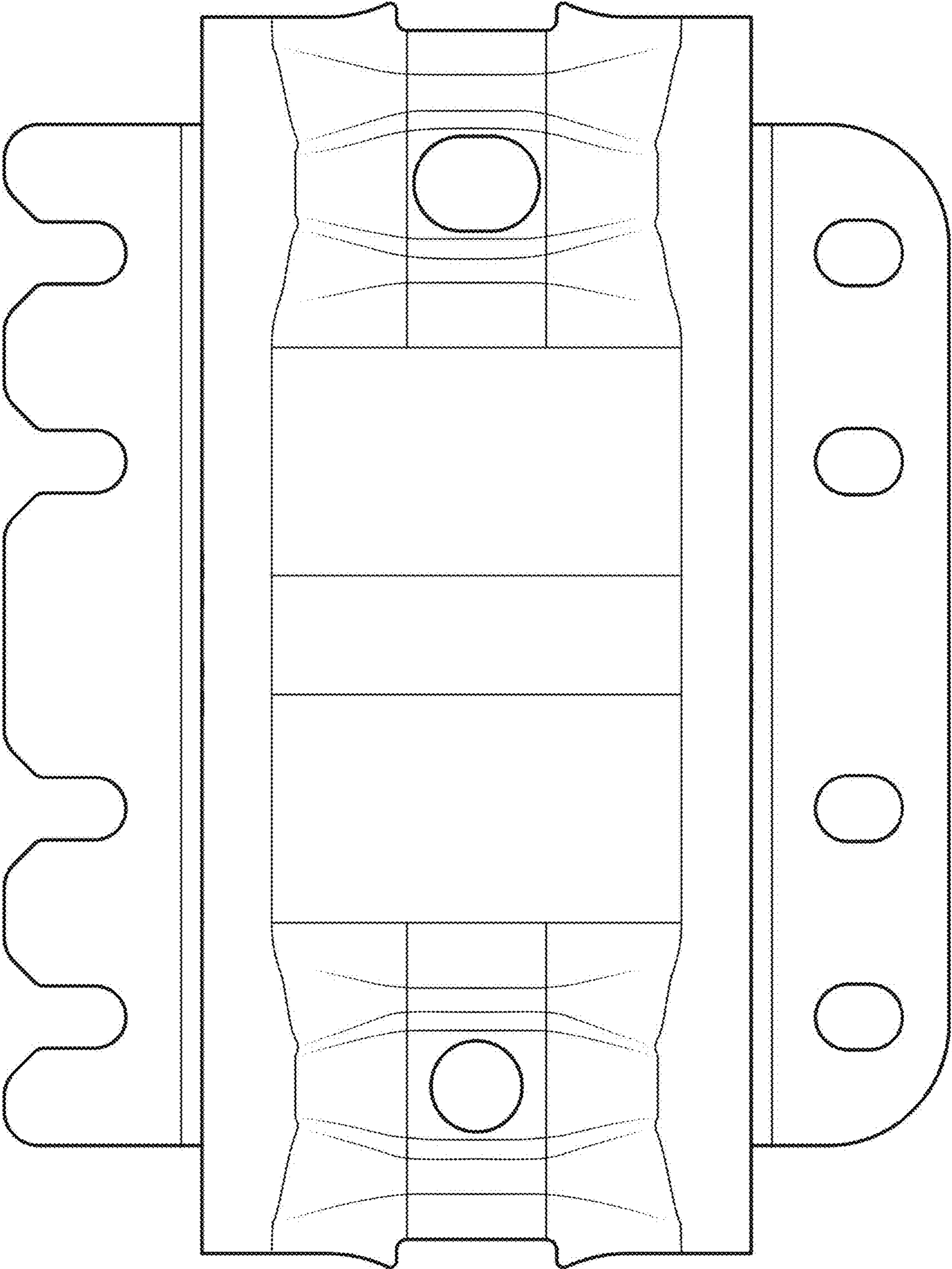


FIG. 3

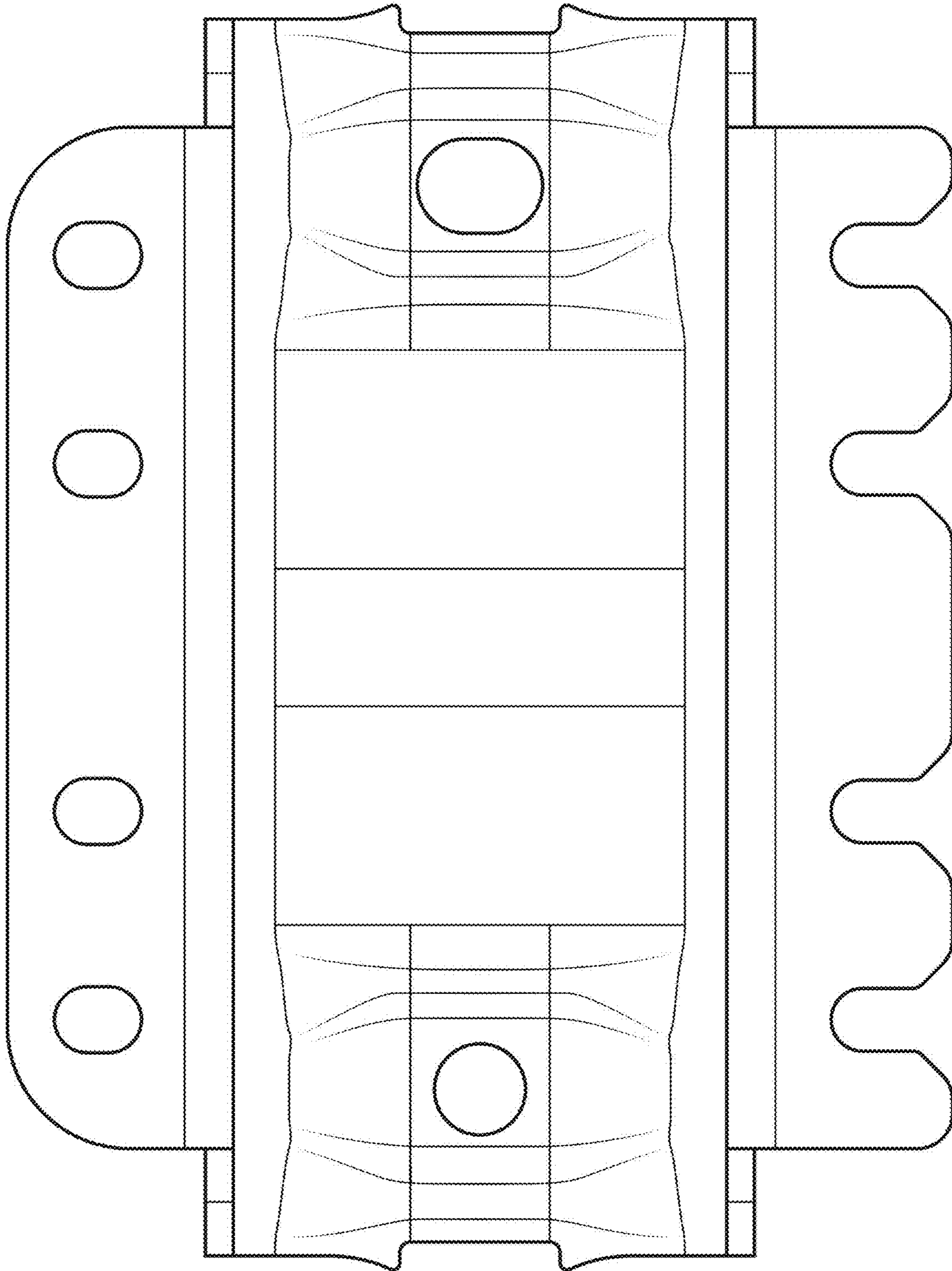


FIG. 4

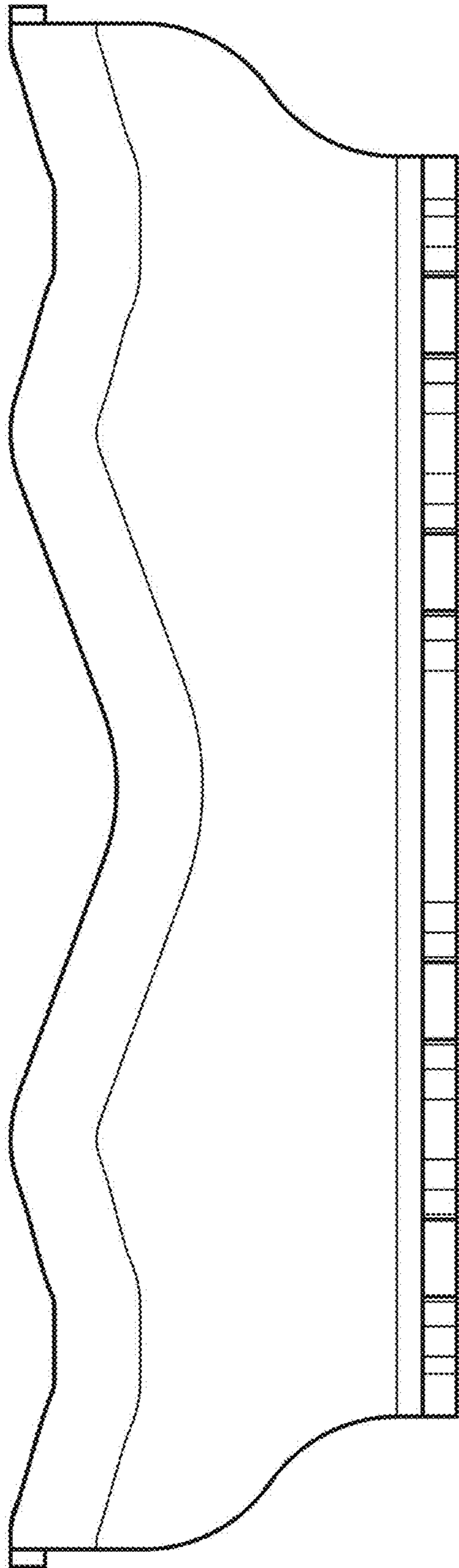


FIG. 5

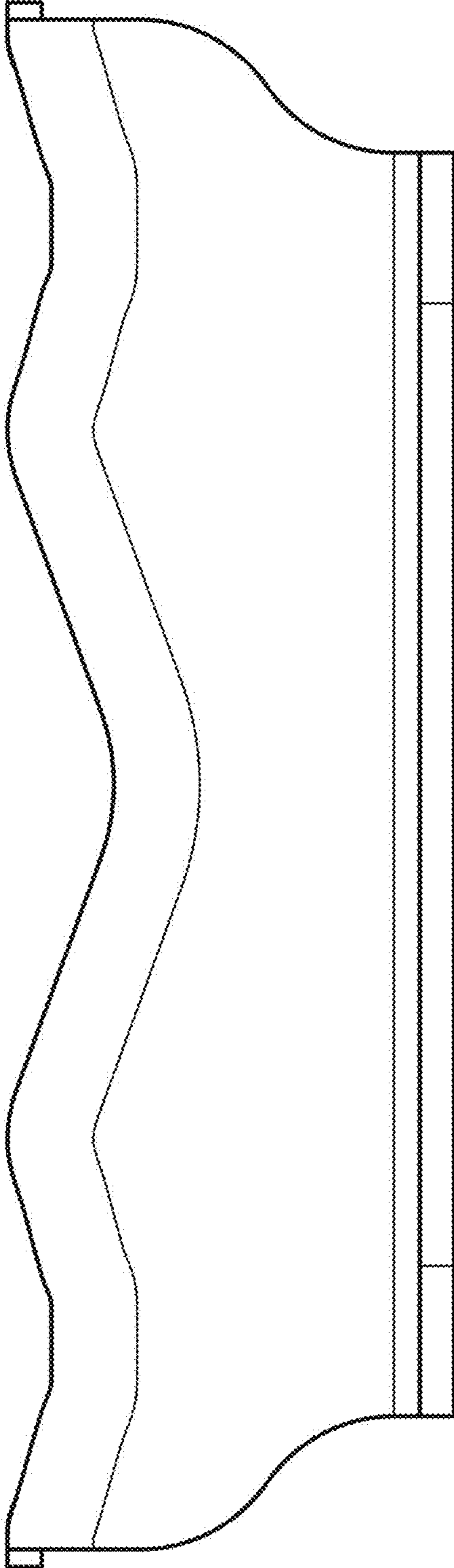


FIG. 6

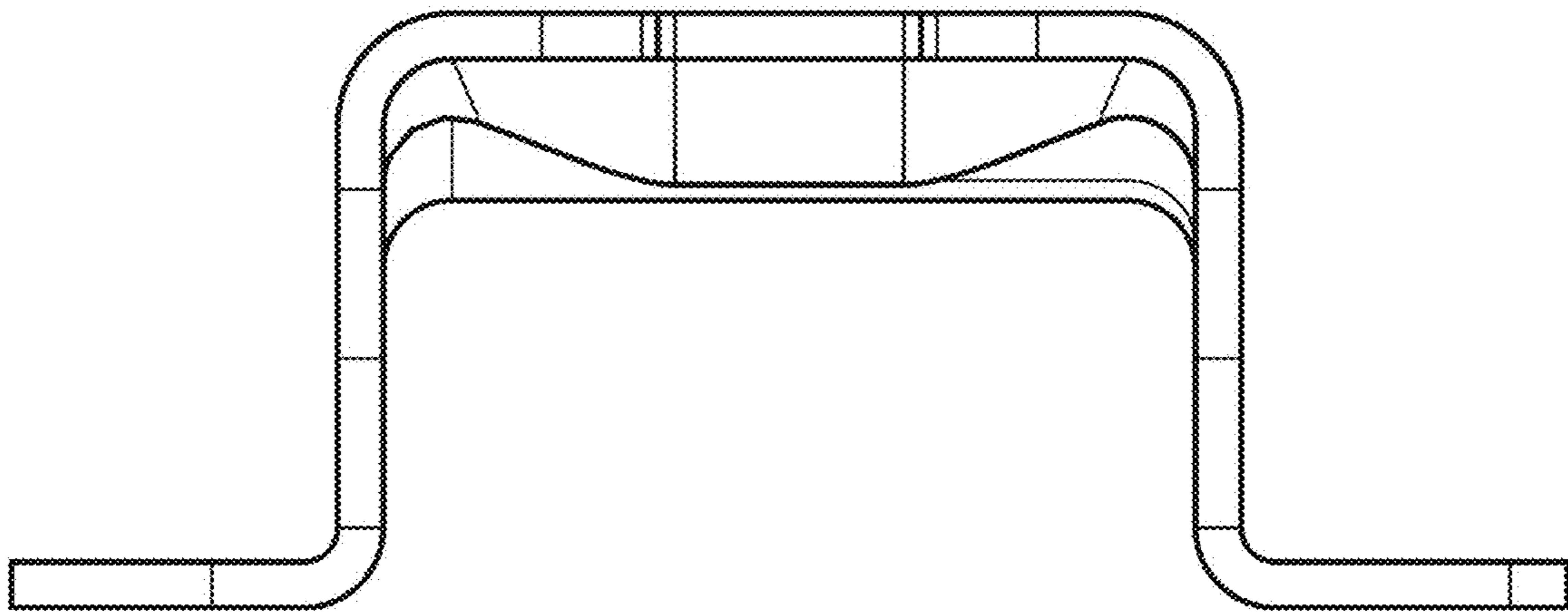


FIG. 7