



US00D985377S

(12) **United States Design Patent**
Baranowska et al.

(10) **Patent No.:** **US D985,377 S**
(45) **Date of Patent:** **** May 9, 2023**

(54) **CASTER COVER**

(71) Applicant: **Arjo IP Holding AB**, Malmö (SE)

(72) Inventors: **Magdalena Baranowska**, Poznan (PL);
Urban Orrell, Bromma (SE); **Vincent Lam**, San Antonio, TX (US)

(**) Term: **15 Years**

(21) Appl. No.: **35/513,224**

(22) Filed: **Nov. 4, 2021**

(80) **Hague Agreement Data**

Int. Filing Date: **Nov. 4, 2021**

Int. Reg. No.: **DM/217849**

Int. Reg. Date: **Nov. 4, 2021**

Int. Reg. Pub. Date: **Dec. 24, 2021**

(51) **LOC (14) Cl.** **08-11**

(52) **U.S. Cl.**
USPC **D8/375; D24/184**

(58) **Field of Classification Search**
USPC D8/372-373, 375, 354, 366-368,
D8/380-382; D24/183-174, 183-184;
D6/315, 320, 323, 328
CPC B60B 33/00; B60B 33/0002; B60B 33/08;
B60B 33/0028; A47G 1/065; A47G 1/12;
A47G 25/06; A47G 25/0607; A47G
25/0678; A47G 29/08; A47F 5/0006
See application file for complete search history.

(56) **References Cited**

U.S. PATENT DOCUMENTS

D326,221 S *	5/1992	Brule'	D8/375
D382,465 S *	8/1997	Dhanapal	D8/375
D662,401 S *	6/2012	Lin	D8/375
D662,805 S *	7/2012	Macdonald	D8/373
D666,478 S *	9/2012	Chou	D8/373
D668,943 S *	10/2012	Tsai	D8/375
D668,944 S *	10/2012	Tsai	D8/375

D700,044 S *	2/2014	Goodman	D8/367
D703,028 S *	4/2014	Hammer	D8/372
D705,542 S *	5/2014	Holt	D8/367
D709,356 S *	7/2014	Pollard	D8/373
D711,213 S *	8/2014	Schorn	D8/373
D729,618 S *	5/2015	Bastien	D8/373
D730,161 S *	5/2015	Veilleux	D8/373
D730,162 S *	5/2015	Bastien	D8/373
D731,297 S *	6/2015	Bitterlich	D8/375
D737,670 S *	9/2015	Beyerle	D8/373
D739,216 S *	9/2015	Cole	D8/375
D740,654 S *	10/2015	Boehnen	D9/721
D750,603 S *	3/2016	Venghaus	D8/373
D755,613 S *	5/2016	Ajello	D8/372
D791,578 S *	7/2017	Royak	D8/371
D795,680 S *	8/2017	Balas	D8/375
D858,262 S *	9/2019	Wilson	D8/373
D875,510 S *	2/2020	Dammann	D8/373
D921,477 S *	6/2021	O'Halloran	D8/373
D957,236 S *	7/2022	Zeng	D8/367
D957,921 S *	7/2022	Davenport	D8/371
D957,922 S *	7/2022	Fischetto	D8/373

(Continued)

Primary Examiner — Karen S Acker
Assistant Examiner — Elizabeth S Ko

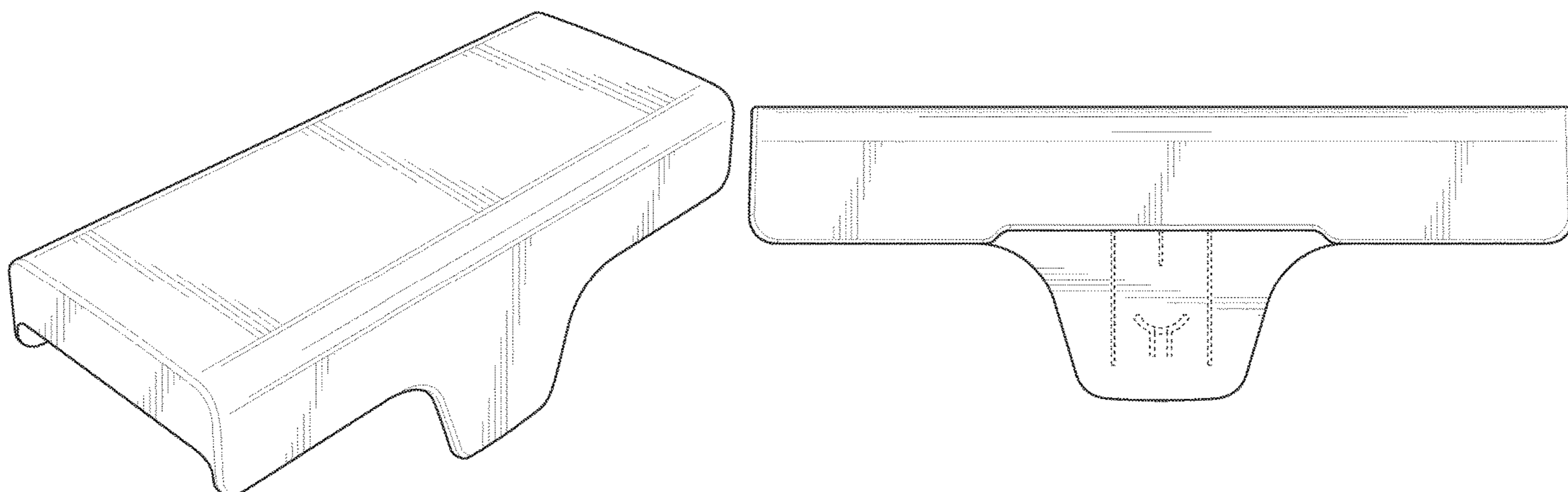
(57) **CLAIM**

The ornamental design for caster cover, as shown and described.

DESCRIPTION

1. Caster cover
Figure 1.1 is an upper perspective view of a caster cover, showing our design;
Figure 1.2 is a left side view thereof;
Figure 1.3 is a back side plan view thereof;
Figure 1.4 is a right side view thereof;
Figure 1.5 is a top view thereof; and
Figure 1.6 is a front plan view thereof.
The broken lines and the unshaded portions within them depict portions of the caster cover that form no part of the claimed design.

1 Claim, 3 Drawing Sheets



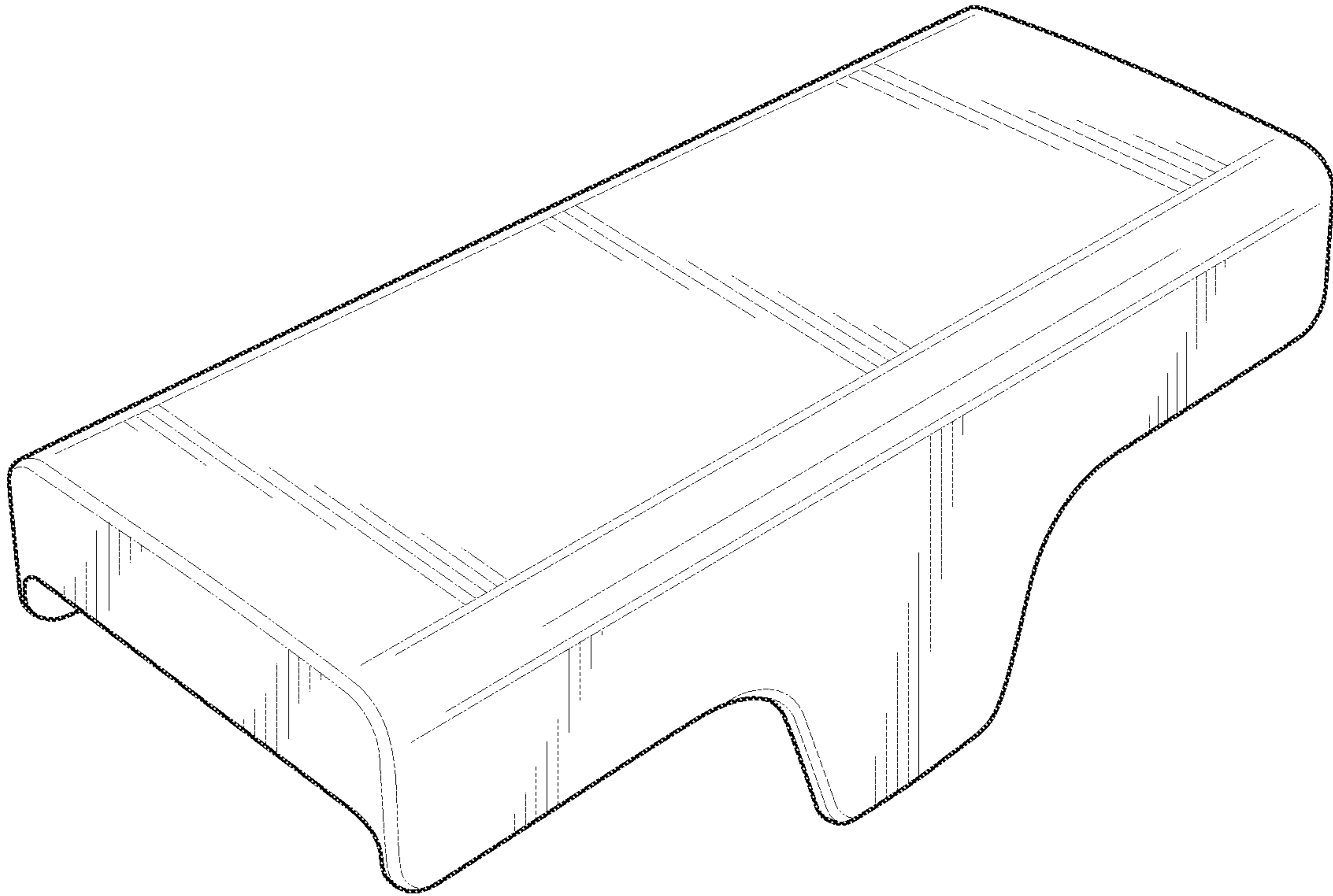
(56)

References Cited

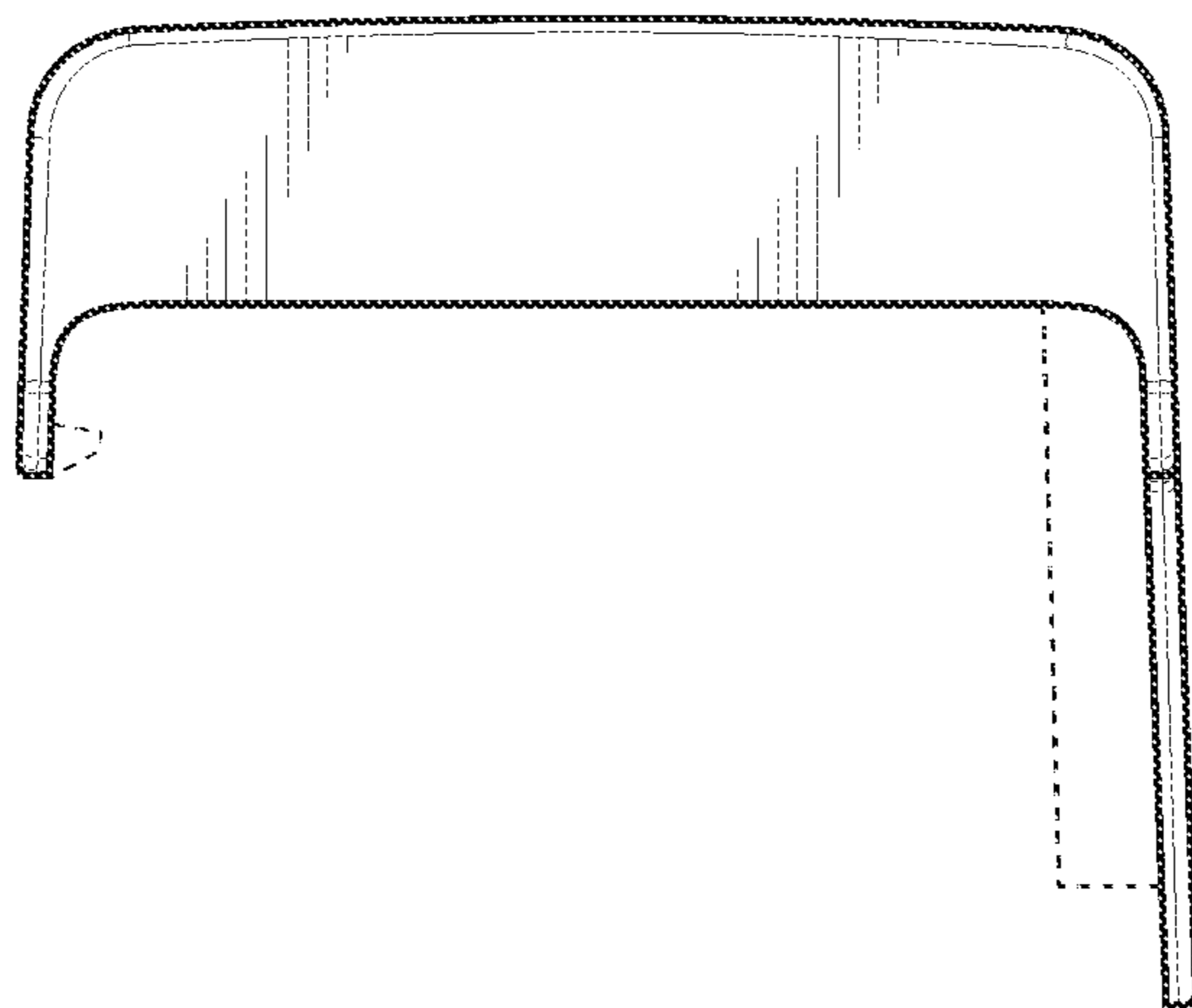
U.S. PATENT DOCUMENTS

D958,639	S	*	7/2022	Walter	D8/375
D962,433	S	*	8/2022	Smith	D24/140
D964,844	S	*	9/2022	McGowan	D8/373
D966,876	S	*	10/2022	Lin	D8/375
D968,940	S	*	11/2022	Yue	D8/375

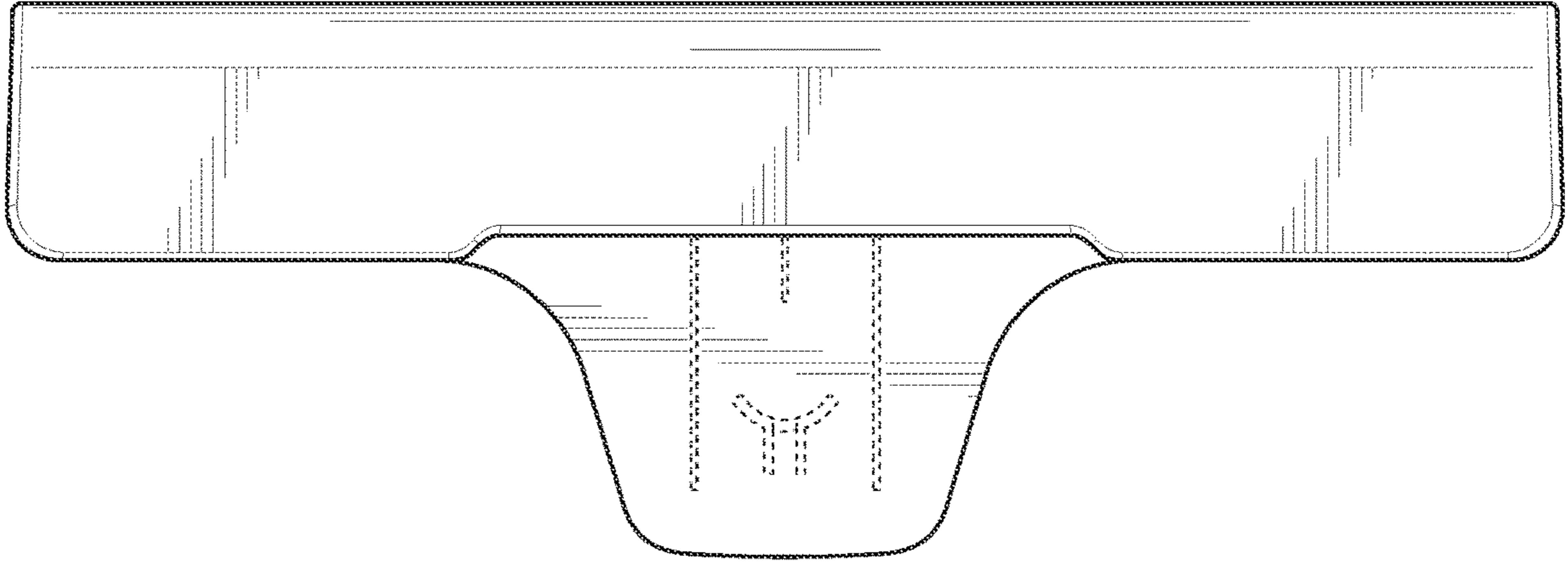
* cited by examiner



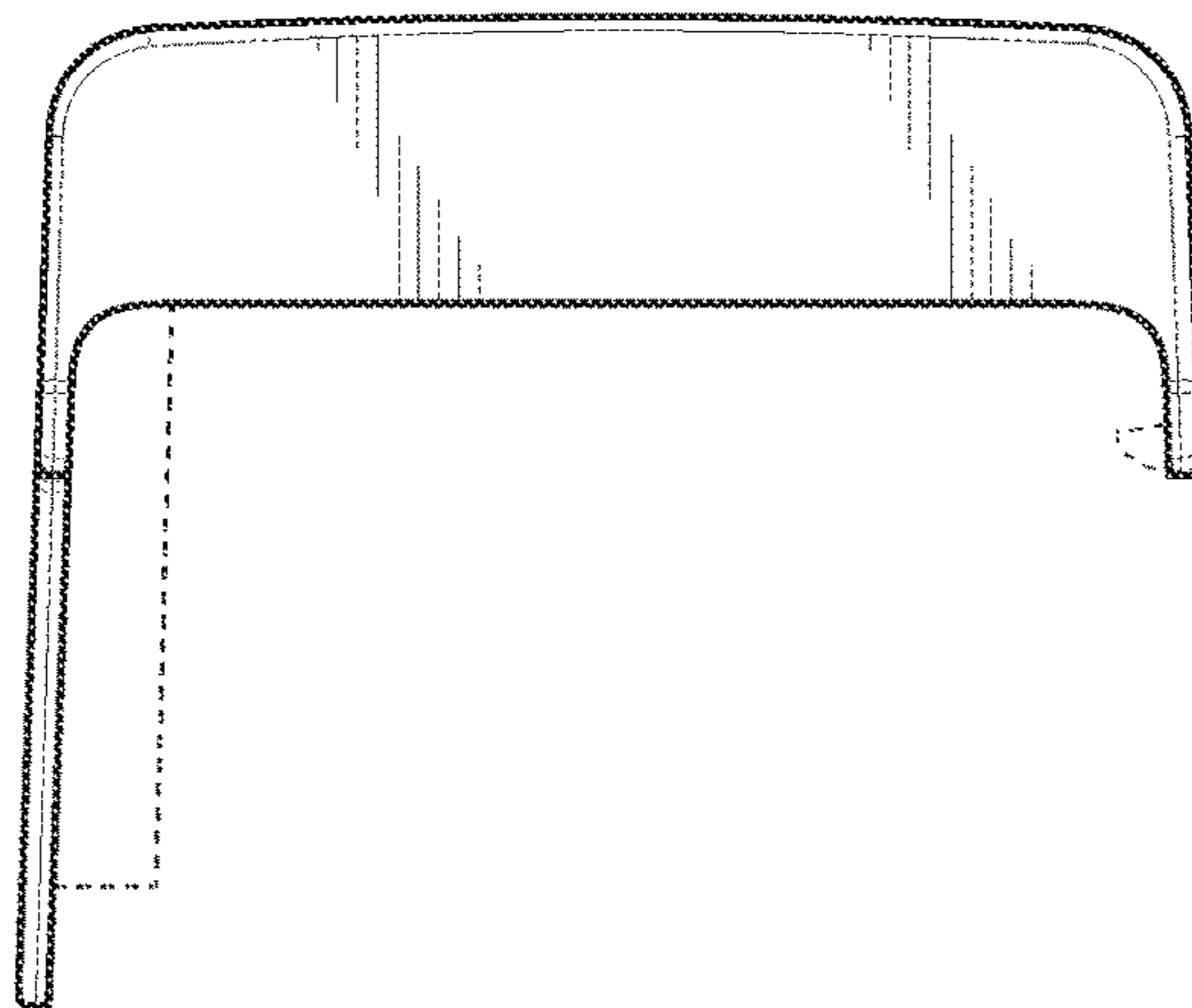
1.1



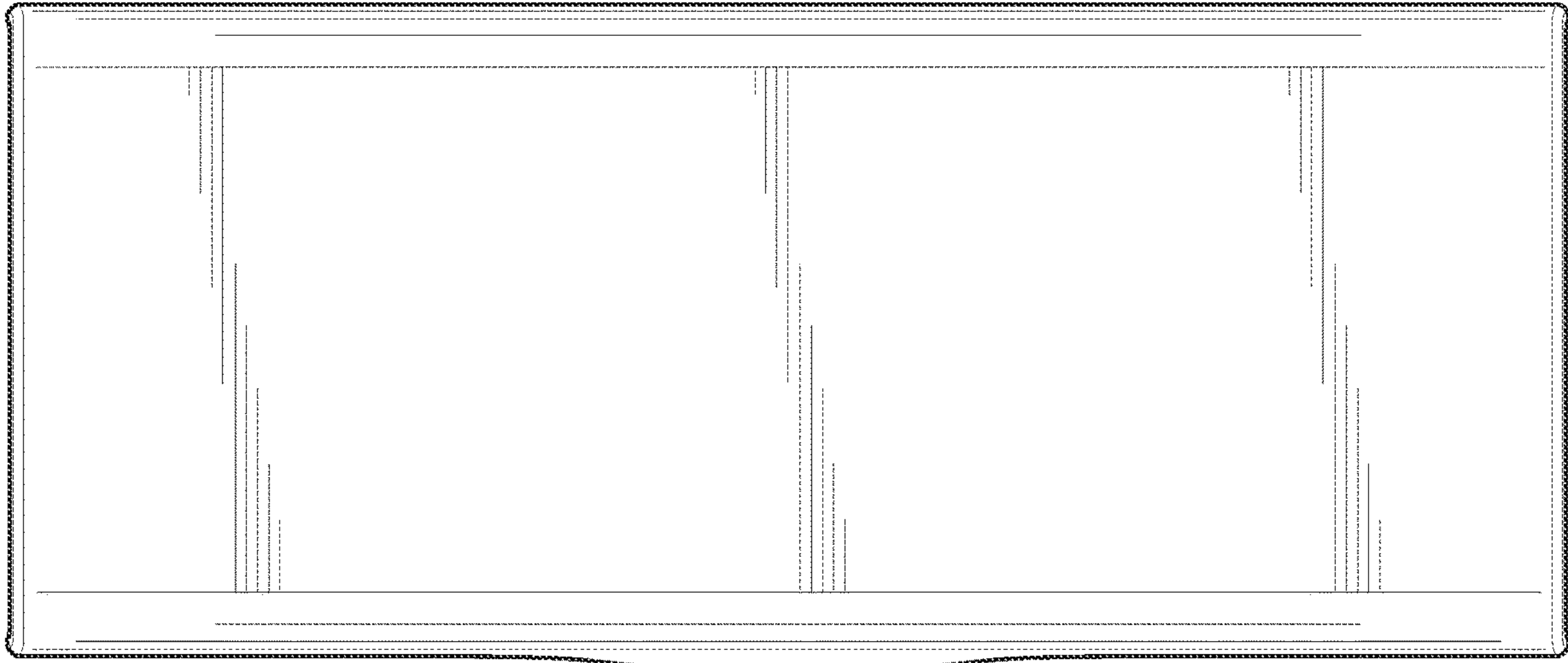
1.2



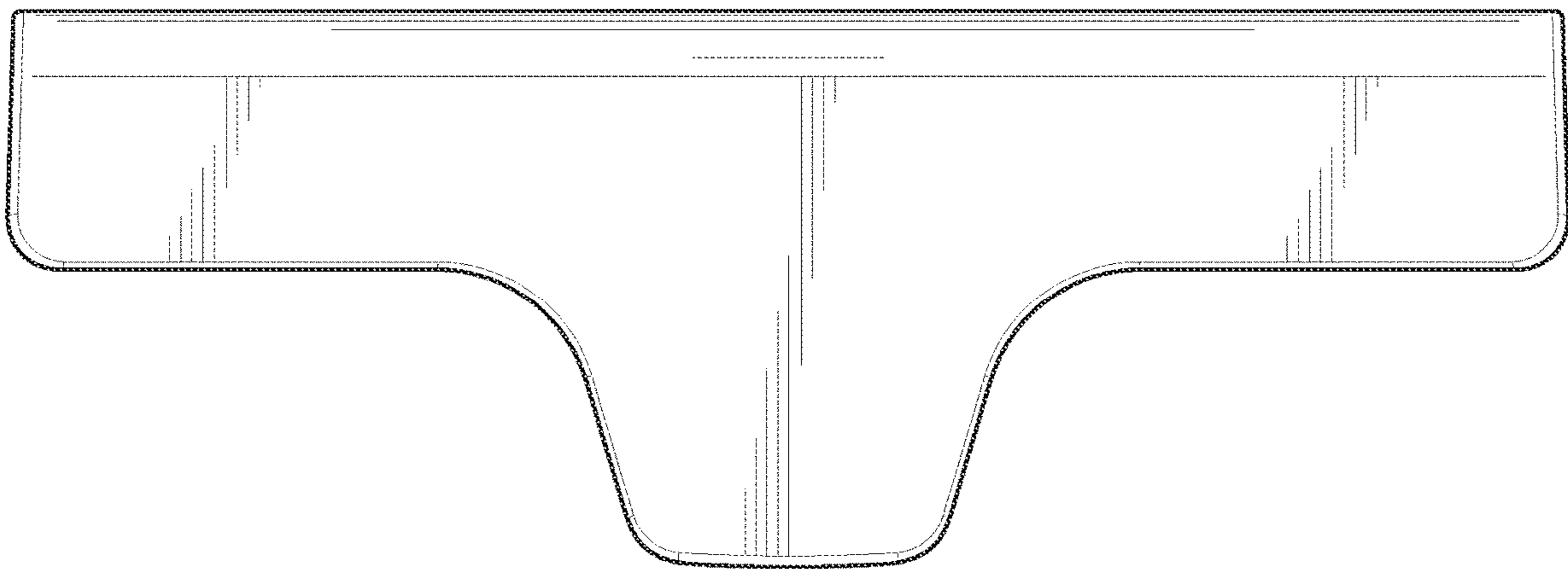
1.3



1.4



1.5



1.6