



US00D985375S

(12) **United States Design Patent**
Chen

(10) **Patent No.:** **US D985,375 S**

(45) **Date of Patent:** **** May 9, 2023**

(54) **MAGNET HOOK**

(71) Applicant: **Ningbo Zhenhai Keyda Magnet Co., Ltd.**, Ningbo (CN)

(72) Inventor: **Mingmin Chen**, Ningbo (CN)

(73) Assignee: **Ningbo Zhenhai Keyda Magnet Co., Ltd.**, Ningbo (CN)

(**) Term: **15 Years**

(21) Appl. No.: **29/871,922**

(22) Filed: **Mar. 2, 2023**

(51) **LOC (14) Cl.** **08-11**

(52) **U.S. Cl.**
USPC **D8/367**

(58) **Field of Classification Search**
USPC D8/367, 354, 349, 373, 356, 372;
D6/323; 248/301-304, 339, 205.5
CPC .. A47G 1/00; A47G 25/00; A47G 1/17; F16B
47/003
See application file for complete search history.

(56) **References Cited**

U.S. PATENT DOCUMENTS

2,679,998	A *	6/1954	Keller	F16B 47/003
					D8/367
3,283,383	A *	11/1966	Heath	A01F 25/13
					D8/367
D259,700	S *	6/1981	Chasen	D8/367
D317,860	S *	7/1991	Gary	D8/367
D328,562	S *	8/1992	Lin	D8/367
D328,563	S *	8/1992	Lin	D8/367
D346,950	S *	5/1994	Dunn	D8/367
D354,429	S *	1/1995	McNaughton	D8/367
D359,441	S *	6/1995	Miller	D8/367
5,730,413	A *	3/1998	Chen	A47G 25/0635
					248/303
5,967,476	A *	10/1999	Chen	A47G 1/20
					248/304

D446,110	S *	8/2001	McDuff	D8/367
D449,977	S *	11/2001	Dembowskiak	D8/367
D472,795	S *	4/2003	Saxby	D8/367
D482,952	S *	12/2003	Steinman	D8/367
6,749,165	B2 *	6/2004	Immerman	A47G 1/17
					248/205.5
6,814,335	B2 *	11/2004	Immerman	A47G 25/0614
					248/205.5
D505,315	S *	5/2005	Snell	D8/367

(Continued)

Primary Examiner — Cynthia R Underwood

(74) *Attorney, Agent, or Firm* — True Shepherd LLC;
Andrew C. Cheng

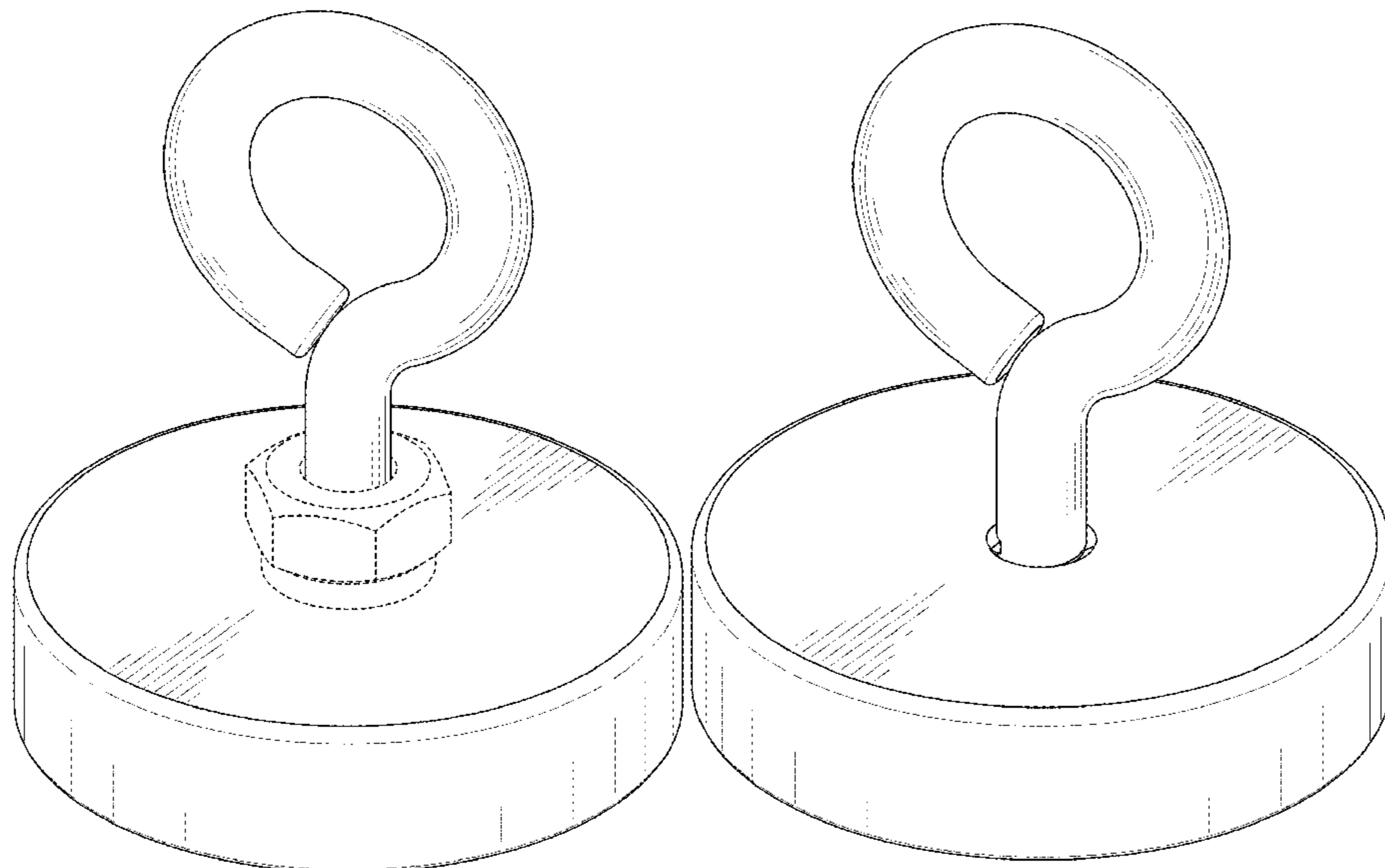
(57) **CLAIM**

The ornamental design for a magnet hook, as shown and described.

DESCRIPTION

FIG. 1 is a perspective view of a magnet hook showing my new design according to a first embodiment;
 FIG. 2 is another perspective view thereof;
 FIG. 3 is a front view thereof;
 FIG. 4 is a rear view thereof;
 FIG. 5 is a left side view thereof;
 FIG. 6 is a right side view thereof;
 FIG. 7 is a top plan view thereof;
 FIG. 8 is a bottom plan view thereof;
 FIG. 9 is a perspective view of a magnet hook showing my new design according to a second embodiment;
 FIG. 10 is another perspective view thereof;
 FIG. 11 is a front view thereof;
 FIG. 12 is a rear view thereof;
 FIG. 13 is a left side view thereof;
 FIG. 14 is a right side view thereof;
 FIG. 15 is a top plan view thereof; and,
 FIG. 16 is a bottom plan view thereof.
 The broken lines depict portions of the magnet hook and form no part of the claimed design.

1 Claim, 16 Drawing Sheets



(56)

References Cited

U.S. PATENT DOCUMENTS

D531,487 S * 11/2006 Dretzka D8/367
 D600,536 S * 9/2009 Hager D8/367
 D608,186 S * 1/2010 Nicoll D8/367
 D642,897 S * 8/2011 Berkowitz D8/367
 D650,657 S * 12/2011 Kaye D8/367
 D659,519 S * 5/2012 Berkowitz D8/367
 D667,720 S * 9/2012 Berkowitz D8/367
 D669,763 S * 10/2012 Abels D8/356
 8,739,453 B1 * 6/2014 Conner B60R 7/14
 42/99
 D729,254 S * 5/2015 Sullivan D14/440
 D737,125 S * 8/2015 Callif D8/372
 9,144,349 B2 * 9/2015 Groll A47J 45/02
 D746,664 S * 1/2016 Najieb D8/367
 D765,498 S 9/2016 Dankert
 D787,303 S * 5/2017 Garvin D8/367
 D817,154 S * 5/2018 Landrum D8/356
 D840,792 S * 2/2019 Sugasawara D8/367
 D864,697 S * 10/2019 Gnocchini D8/367

D864,699 S * 10/2019 Blaney D8/367
 D880,990 S * 4/2020 Liu D8/367
 10,799,055 B2 * 10/2020 McNabb A47H 1/14
 D917,266 S 4/2021 Winnie
 D918,023 S * 5/2021 Underwood D8/373
 11,015,641 B2 * 5/2021 Cardella E05B 15/102
 D941,949 S * 1/2022 Zheng D21/826
 D945,866 S 3/2022 Luo
 D948,997 S * 4/2022 Wang D8/367
 D953,150 S * 5/2022 Luo D8/367
 D953,849 S * 6/2022 Liu D8/367
 D956,529 S * 7/2022 Schuster D8/367
 D960,694 S * 8/2022 Chen D8/367
 D966,872 S * 10/2022 Liu D8/367
 D966,873 S * 10/2022 Chen D8/367
 D968,937 S * 11/2022 Liang D8/367
 D976,688 S * 1/2023 Jiang D8/367
 D980,046 S * 3/2023 Chen D8/367
 D980,048 S * 3/2023 Wexler D8/373
 2014/0339389 A1 * 11/2014 Futrell A47B 97/00
 248/303

* cited by examiner

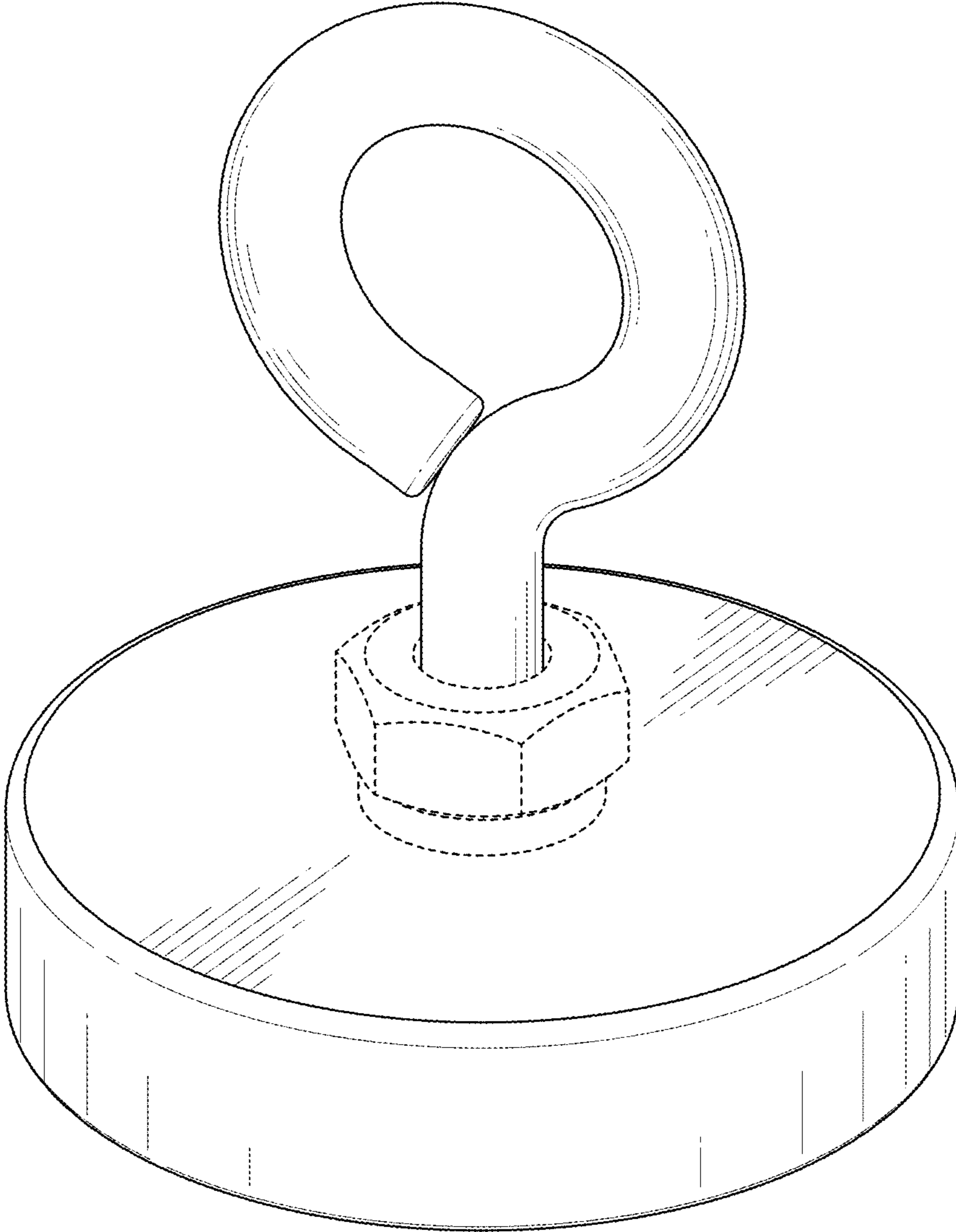


FIG. 1

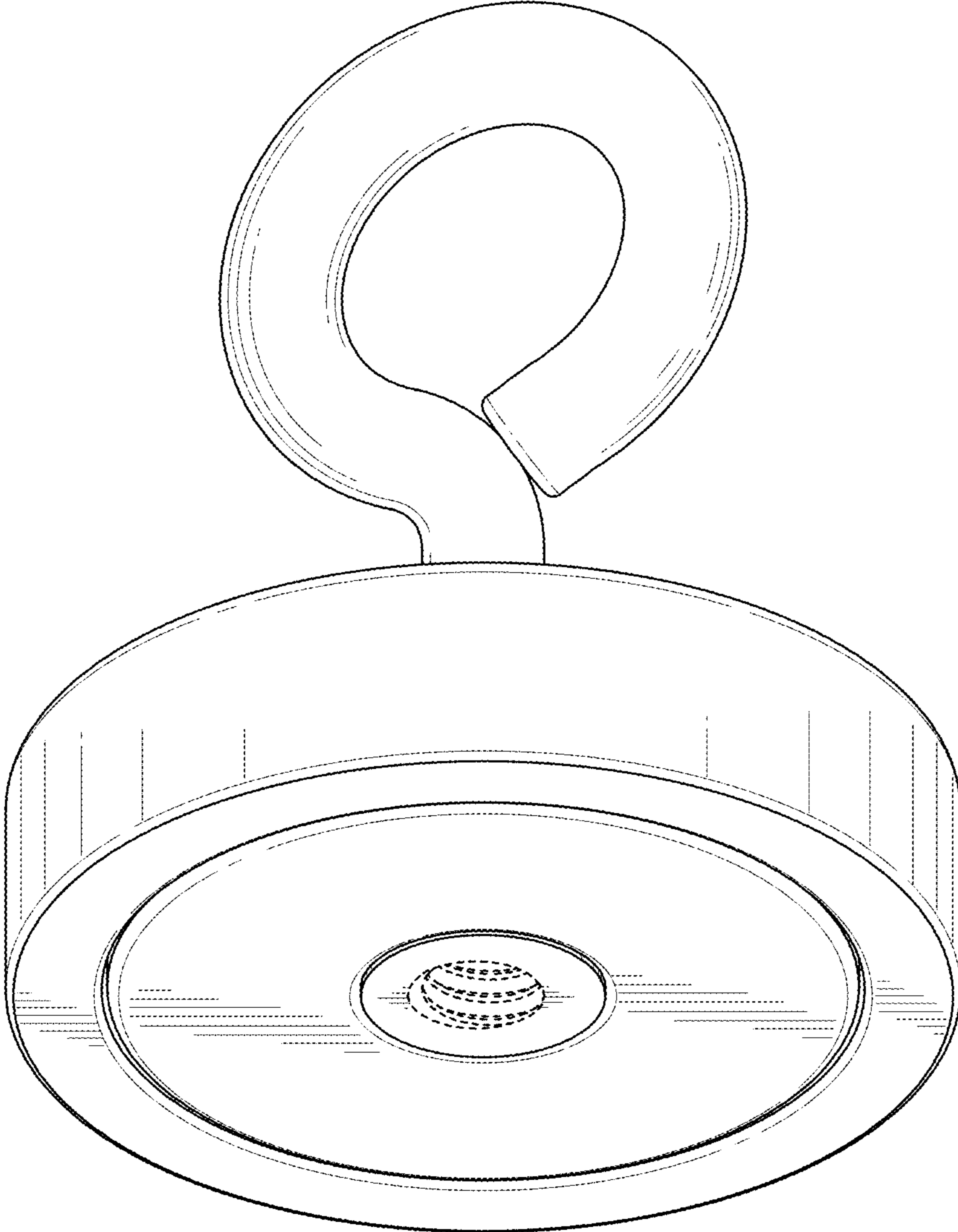


FIG. 2

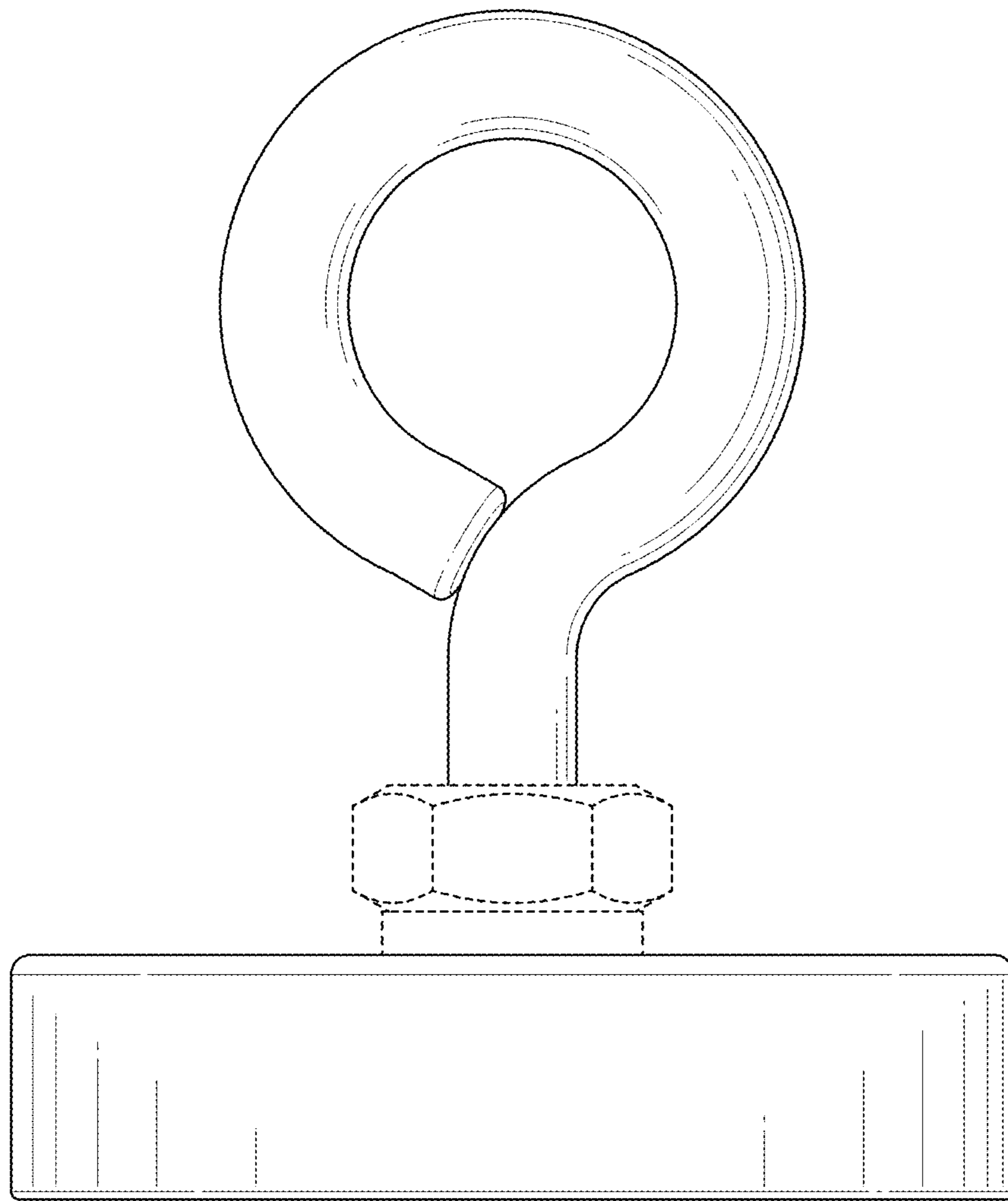


FIG. 3

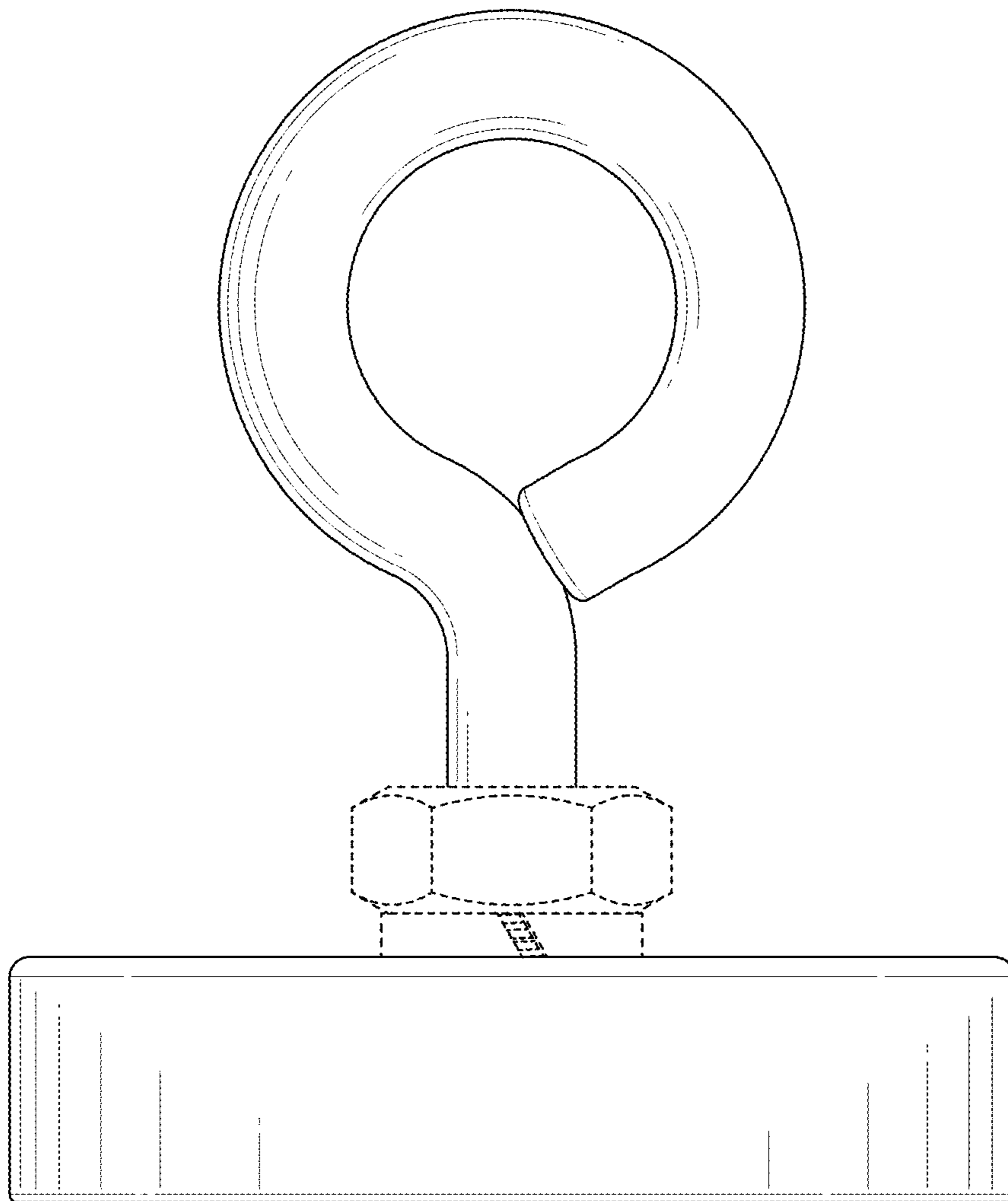


FIG. 4

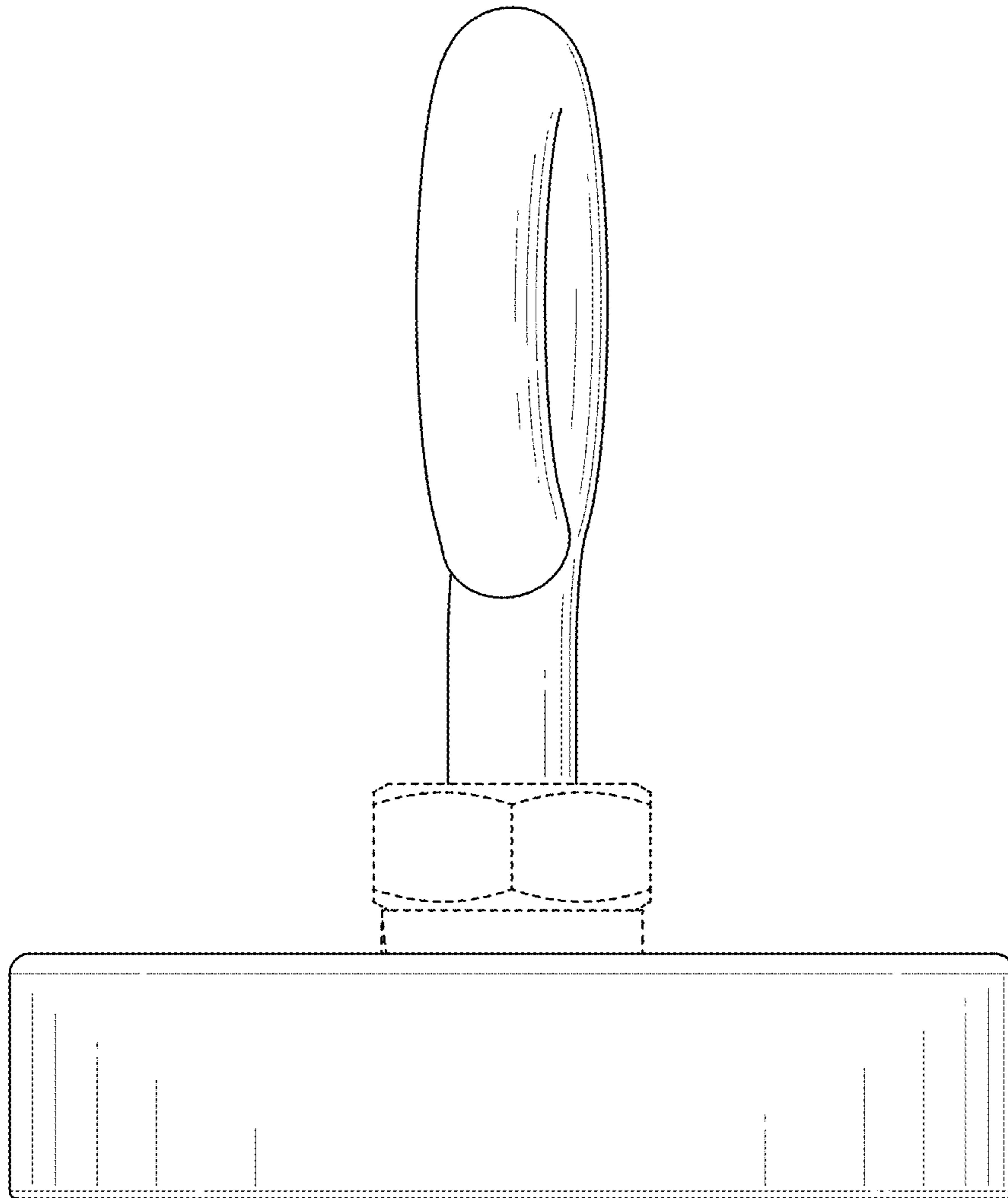


FIG. 5

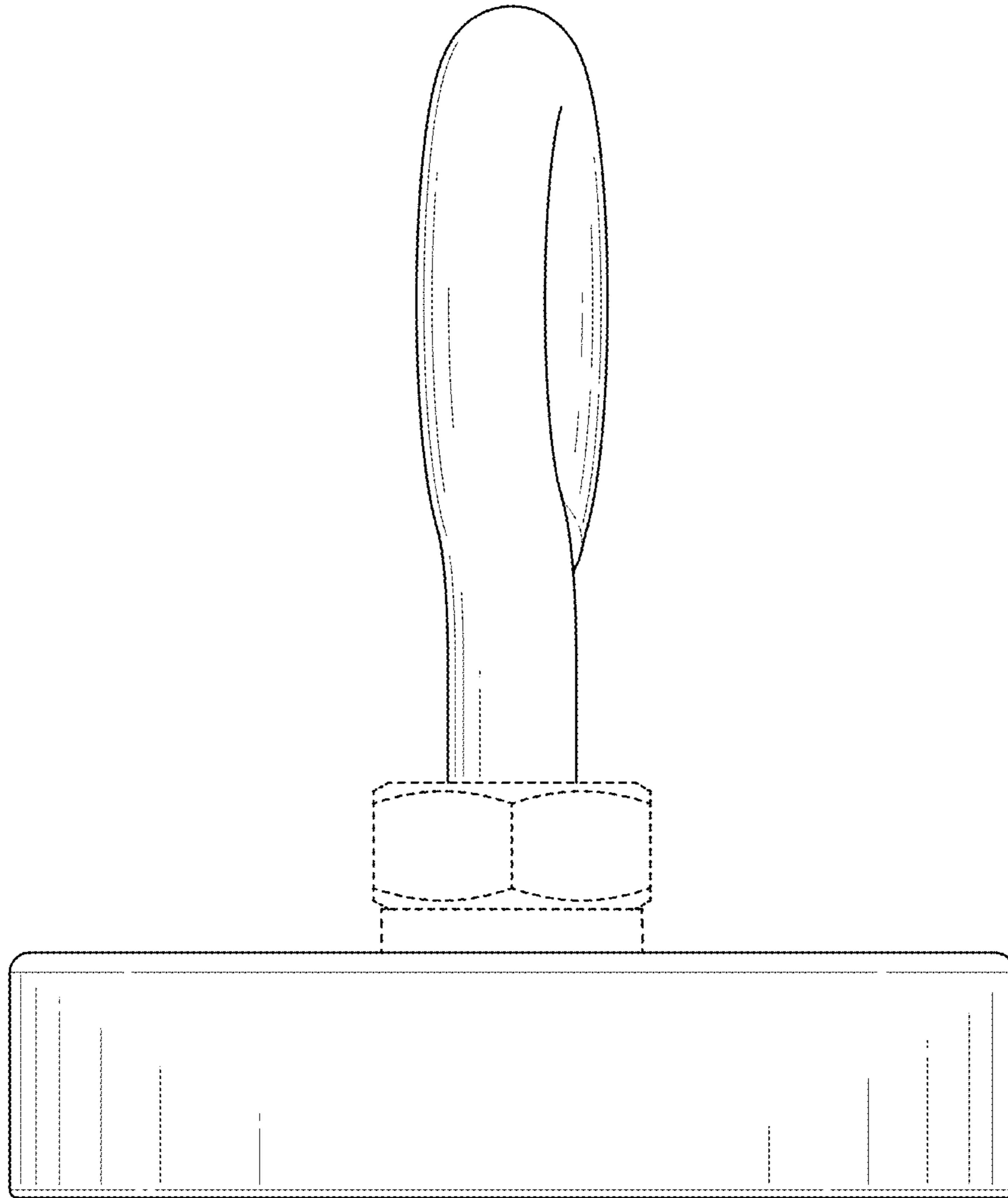


FIG. 6

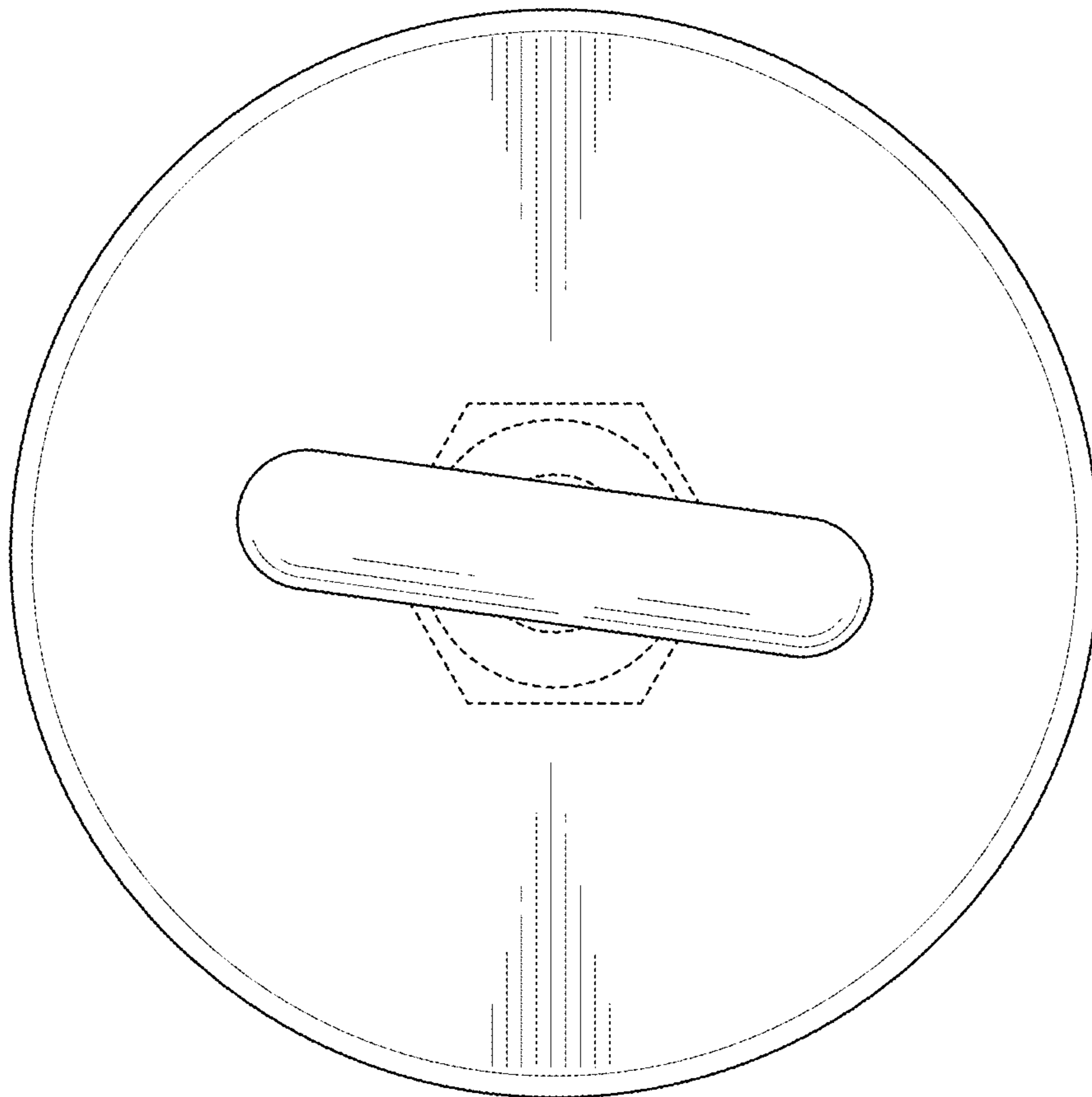


FIG. 7

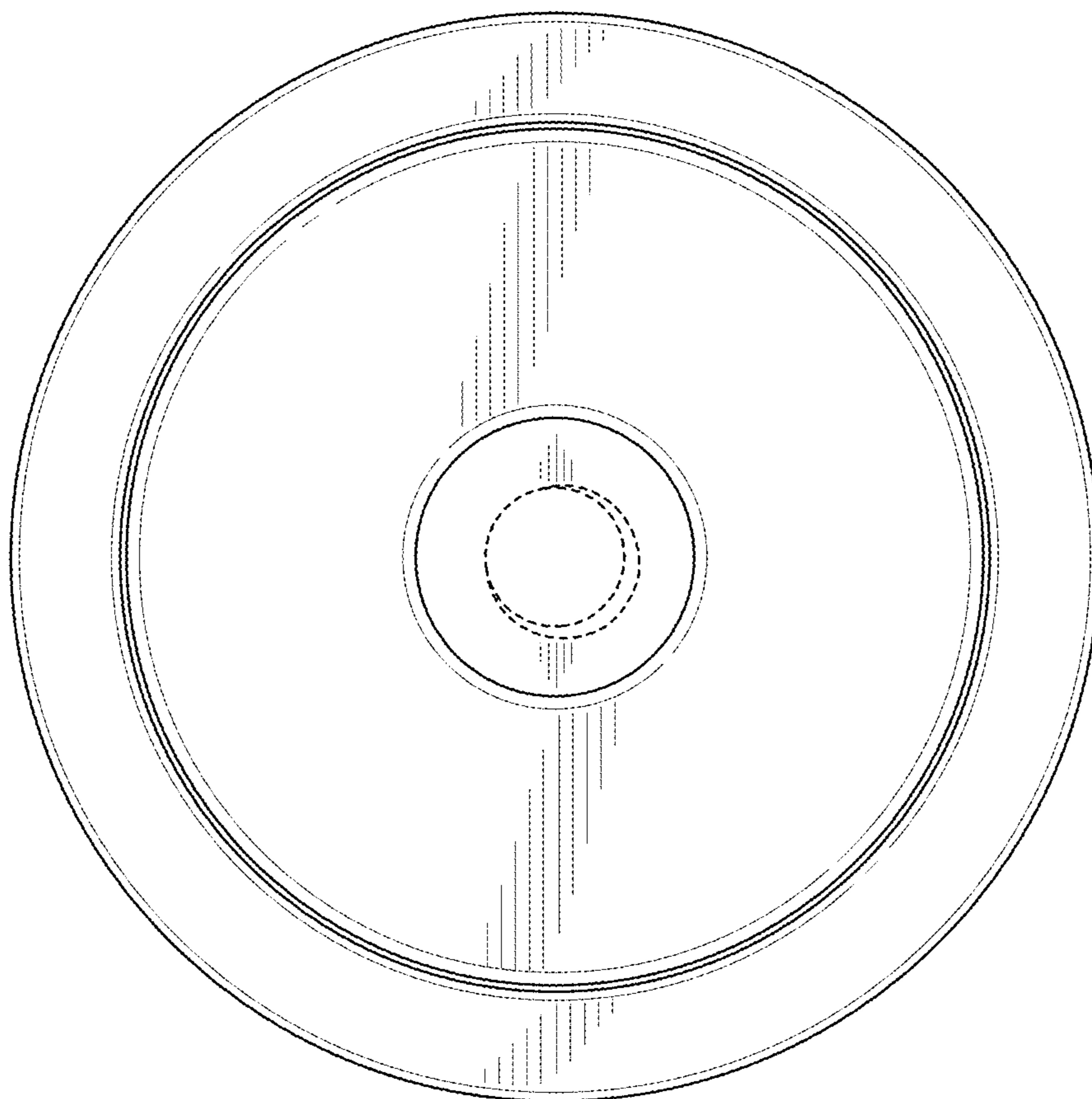


FIG. 8

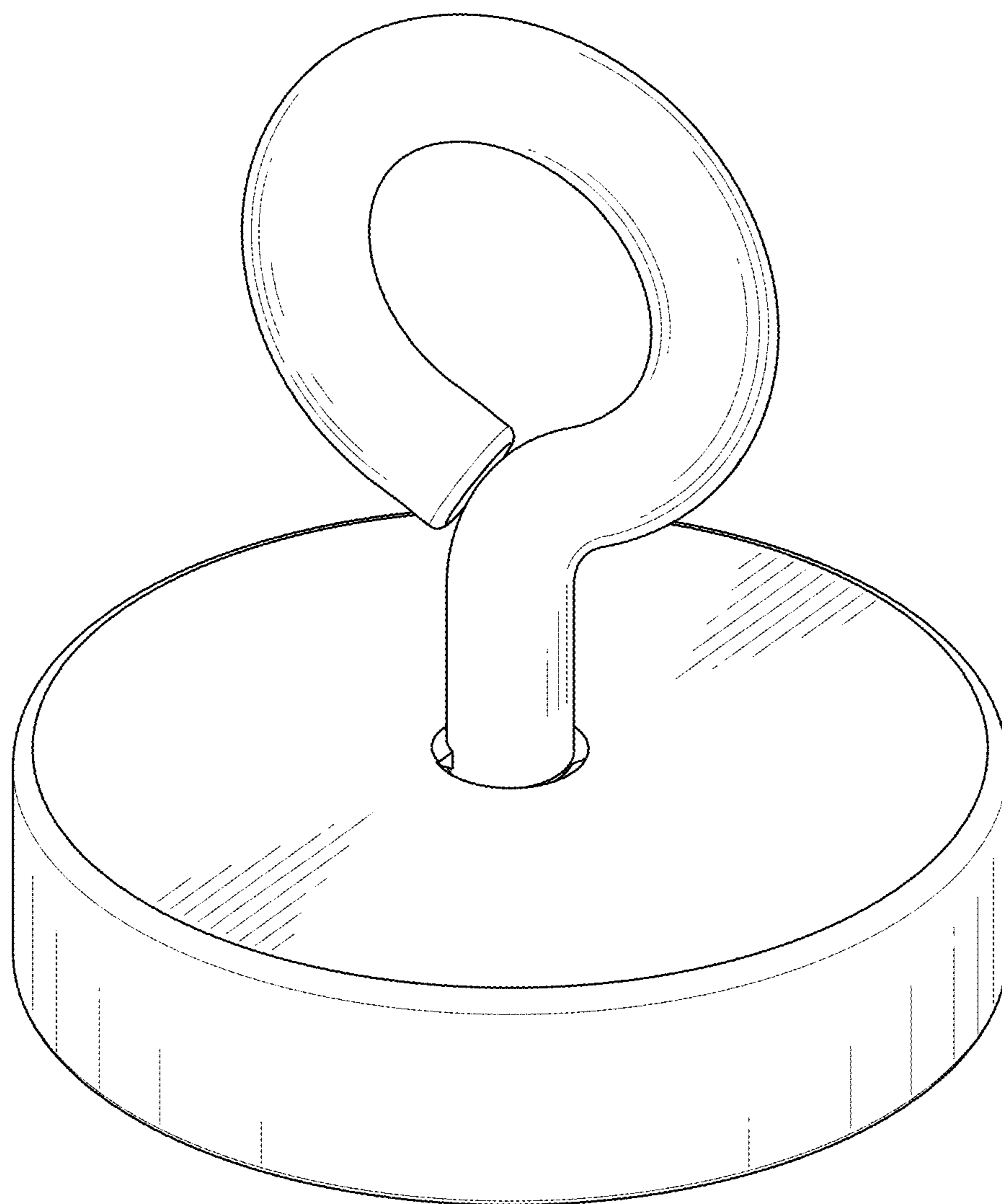


FIG. 9

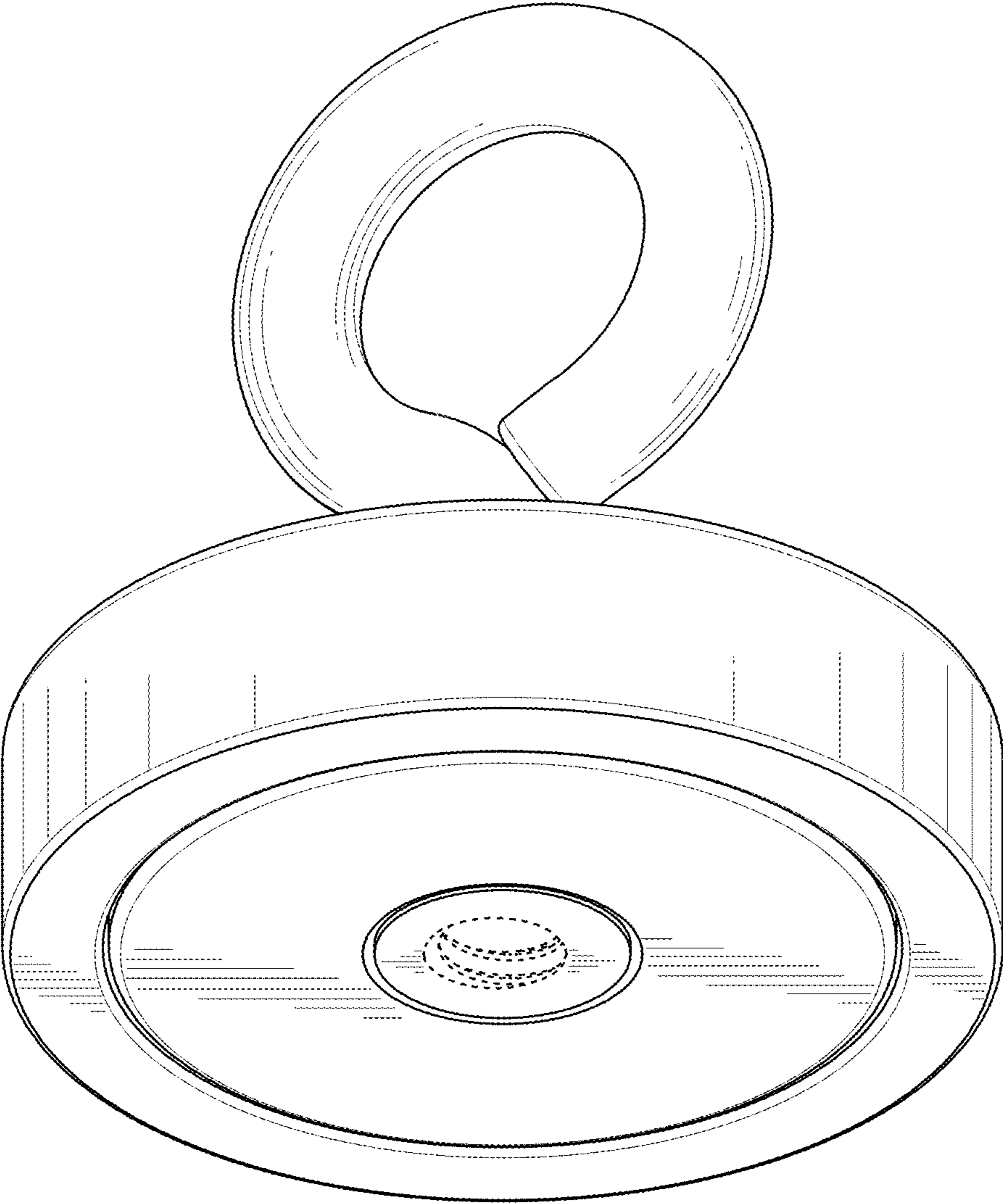


FIG. 10

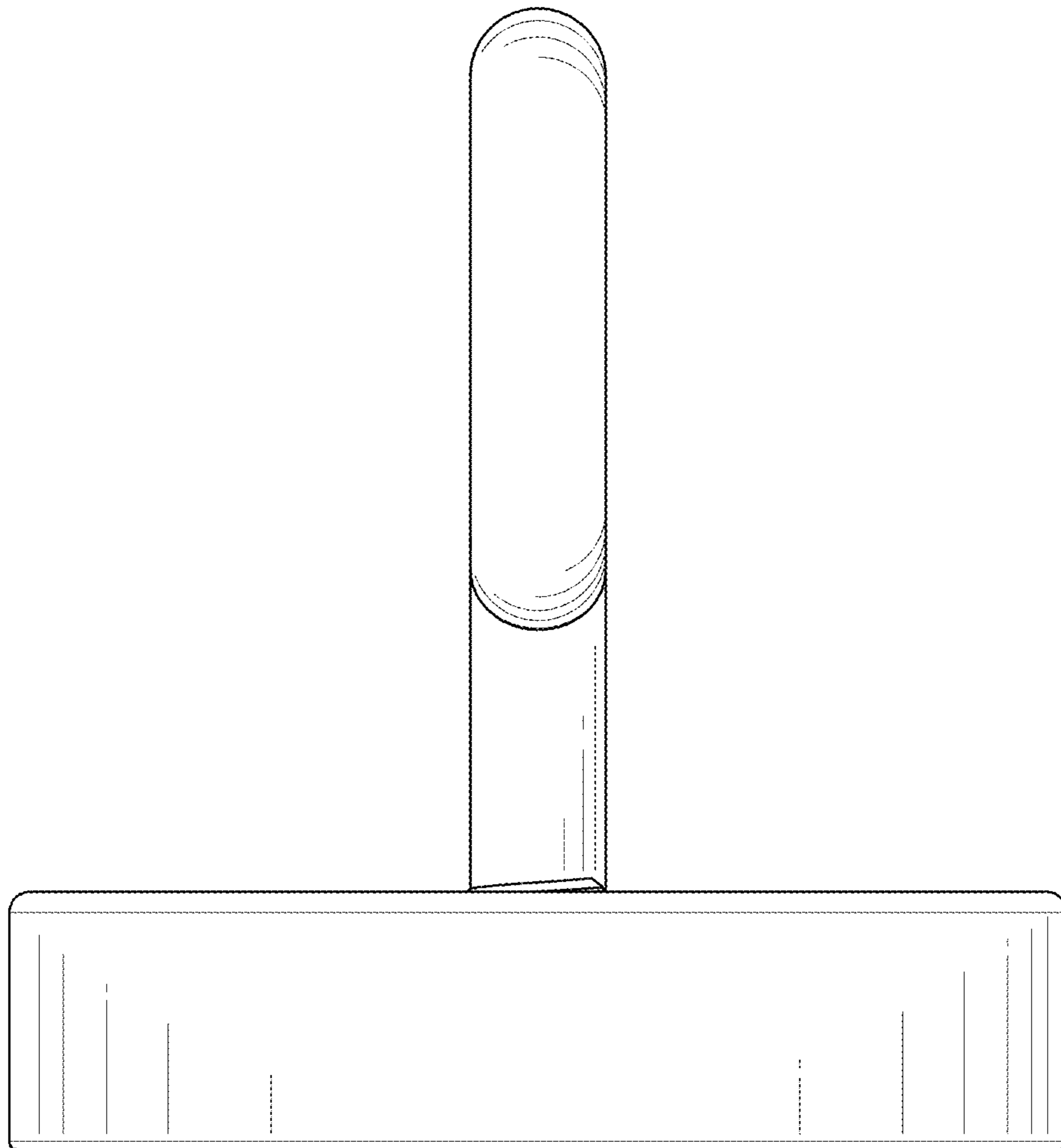


FIG. 11

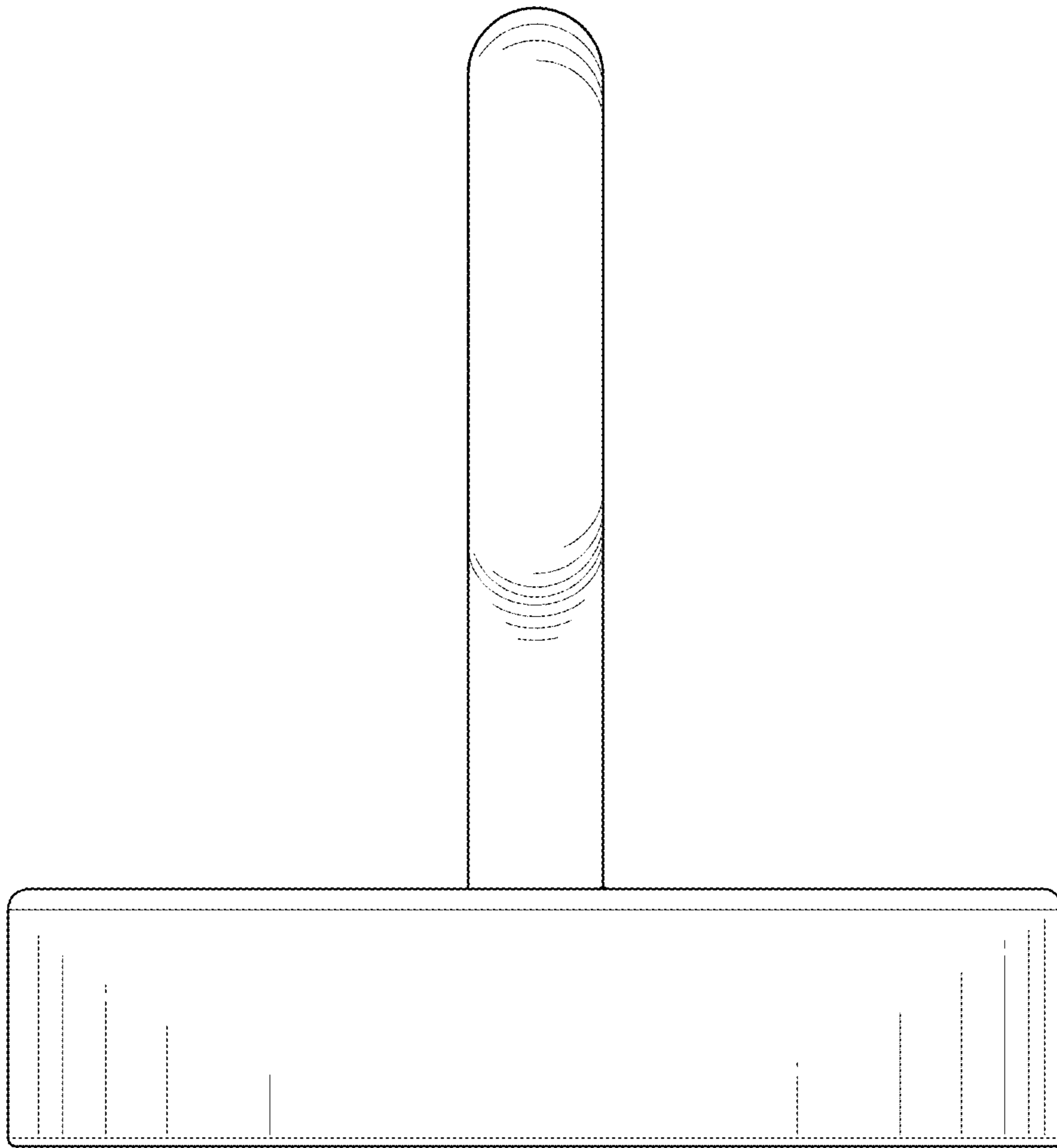


FIG. 12

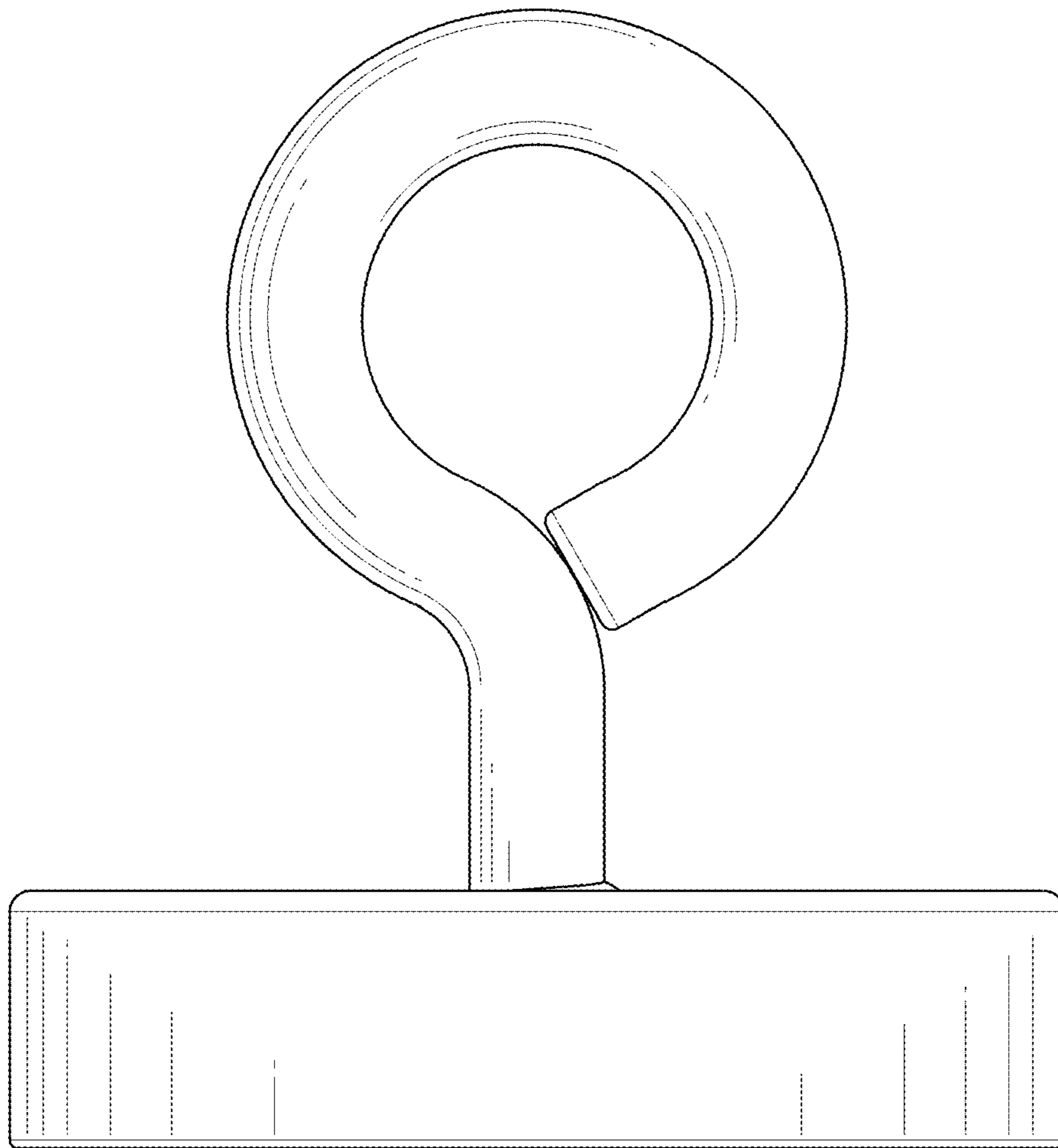


FIG. 13

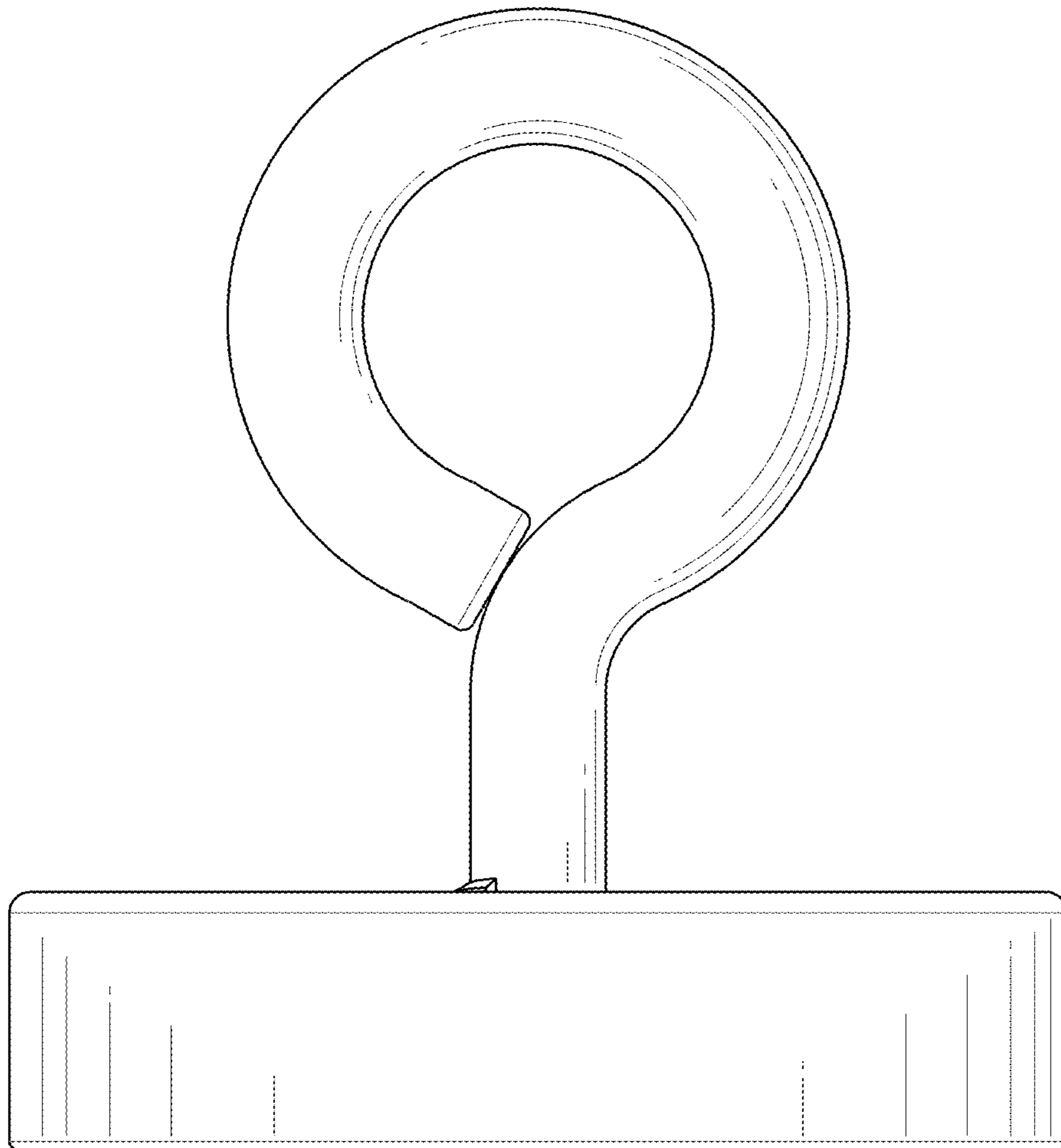


FIG. 14

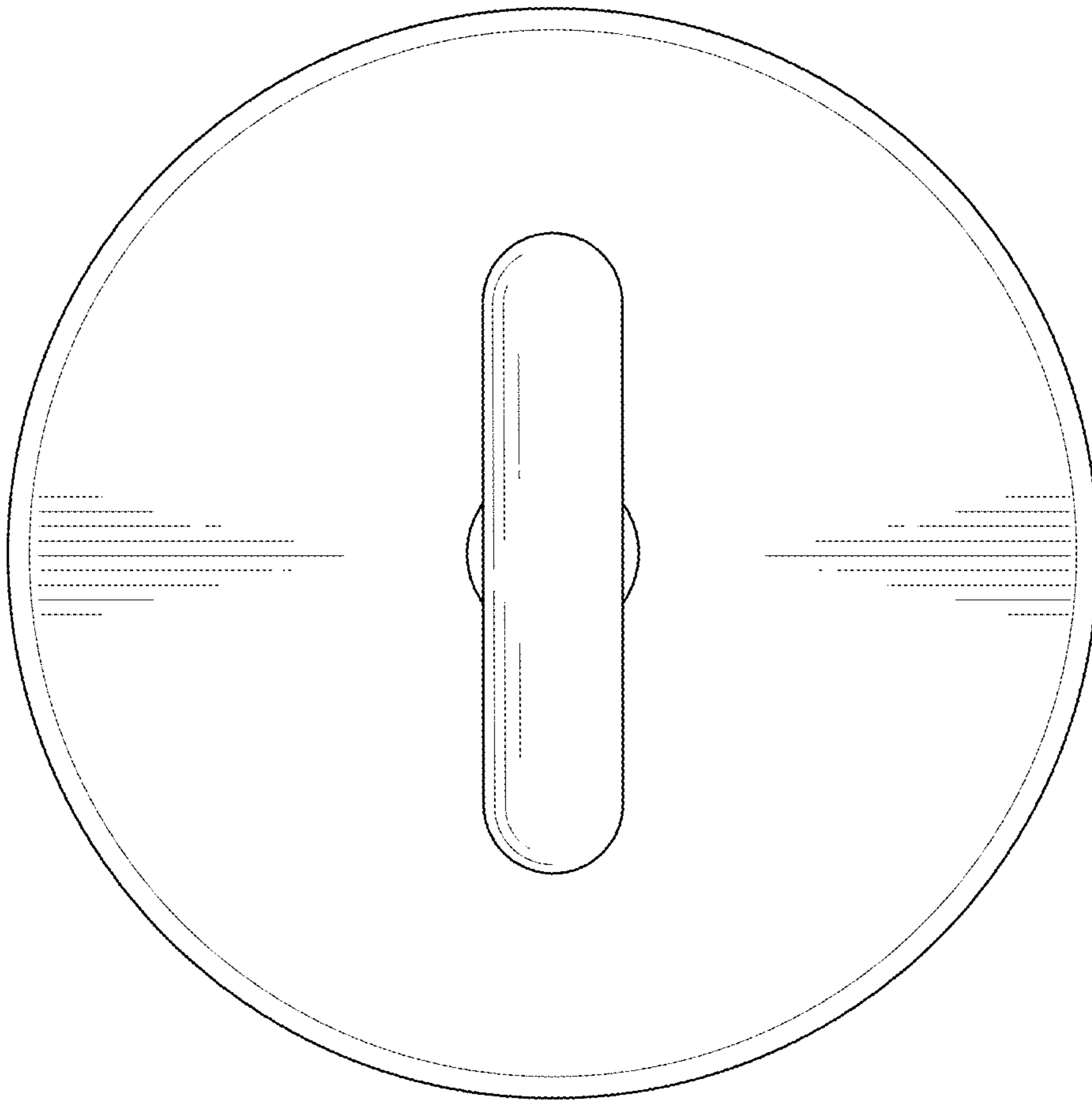


FIG. 15

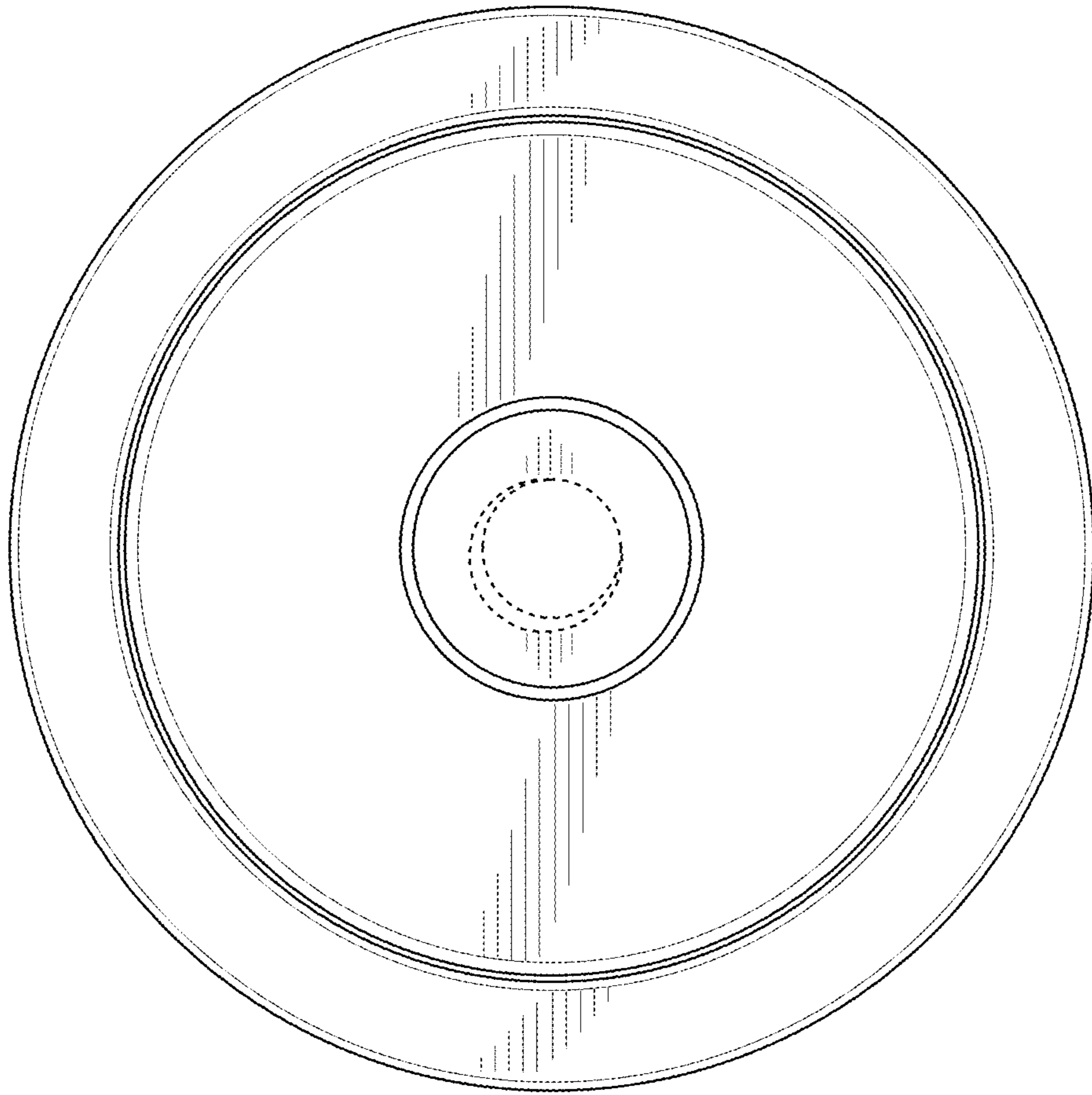


FIG. 16