



US00D985374S

(12) **United States Design Patent**
Chen

(10) **Patent No.:** **US D985,374 S**

(45) **Date of Patent:** **** May 9, 2023**

- (54) **MAGNET HOOK**
- (71) Applicant: **Ningbo Zhenhai Keyda Magnet Co., Ltd., Ningbo (CN)**
- (72) Inventor: **Mingmin Chen, Ningbo (CN)**
- (73) Assignee: **Ningbo Zhenhai Keyda Magnet Co., Ltd., Ningbo (CN)**
- (**) Term: **15 Years**
- (21) Appl. No.: **29/871,921**
- (22) Filed: **Mar. 2, 2023**
- (51) **LOC (14) Cl.** **08-11**
- (52) **U.S. Cl.**
USPC **D8/367**
- (58) **Field of Classification Search**
USPC D8/367, 354, 349, 373, 356, 372;
D6/323; 248/301-304, 339, 205.5
CPC .. A47G 1/00; A47G 25/00; A47G 1/17; F16B
47/003
See application file for complete search history.

- 5,967,476 A * 10/1999 Chen A47G 1/20
248/304
- D446,110 S * 8/2001 McDuff D8/367
- D449,977 S * 11/2001 Dembowskiak D8/367
- D472,795 S * 4/2003 Saxby D8/367
- D482,952 S * 12/2003 Steinman D8/367
- 6,749,165 B2 * 6/2004 Immerman A47G 1/17
248/205.5
- 6,814,335 B2 * 11/2004 Immerman A47G 25/0614
248/205.5
- D505,315 S * 5/2005 Snell D8/367
- D531,487 S * 11/2006 Dretzka D8/367
- D600,536 S * 9/2009 Hager D8/367
- D608,186 S * 1/2010 Nicoll D8/367
- D642,897 S * 8/2011 Berkowitz D8/367
- D650,657 S * 12/2011 Kaye D8/367
- D659,519 S * 5/2012 Berkowitz D8/367
- D667,720 S * 9/2012 Berkowitz D8/367
- D669,763 S * 10/2012 Abels D8/356

(Continued)

Primary Examiner — Cynthia R Underwood
(74) *Attorney, Agent, or Firm* — True Shepherd LLC;
Andrew C. Cheng

(57) **CLAIM**

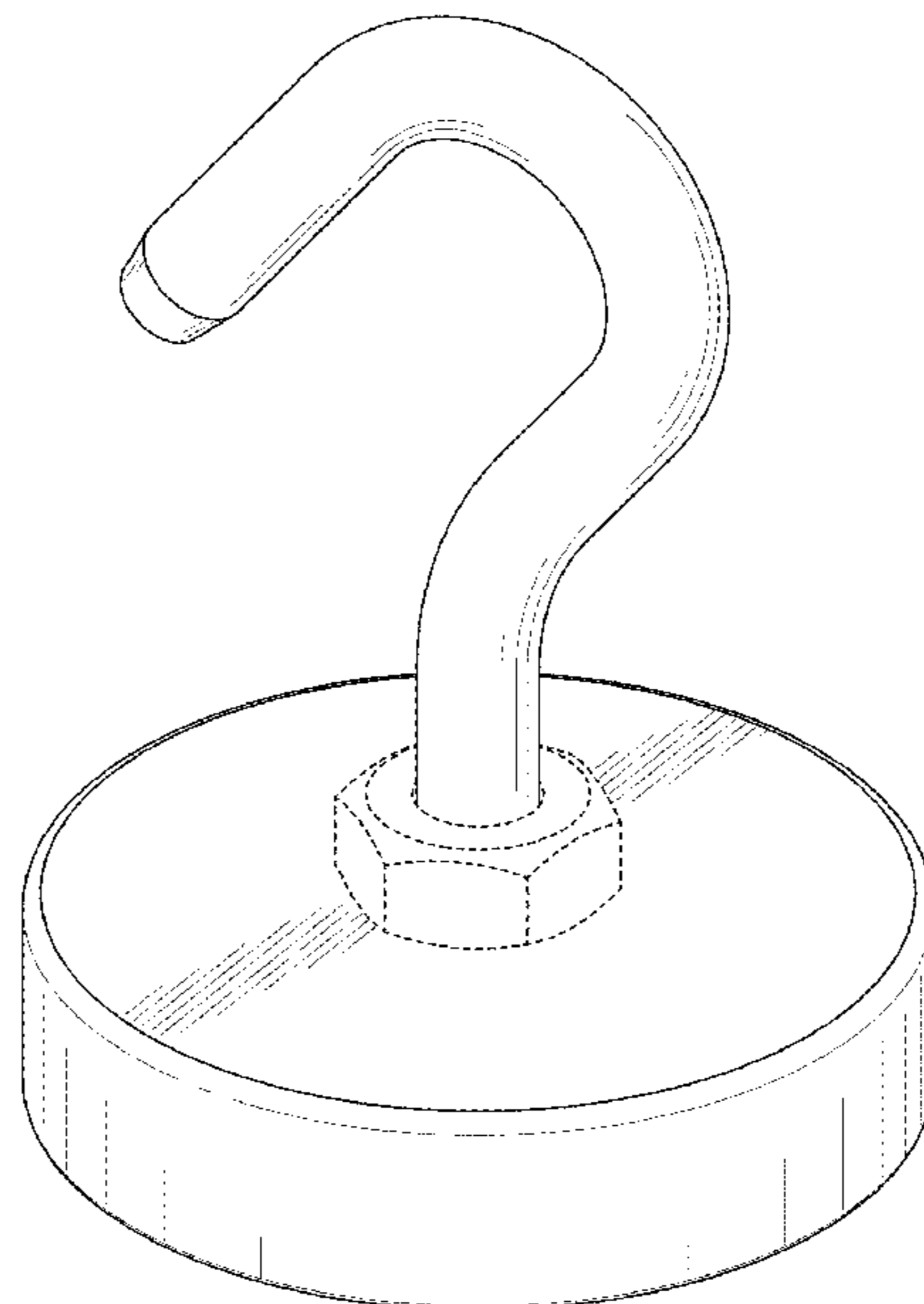
The ornamental design for a magnet hook, as shown and described.

DESCRIPTION

FIG. 1 is a perspective view of a magnet hook showing my new design;
FIG. 2 is another perspective view thereof;
FIG. 3 is a front view thereof;
FIG. 4 is a rear view thereof;
FIG. 5 is a left side view thereof;
FIG. 6 is a right side view thereof;
FIG. 7 is a top plan view thereof; and,
FIG. 8 is a bottom plan view thereof.
The broken lines depict portions of the magnet hook and form no part of the claimed design.

1 Claim, 8 Drawing Sheets

- (56) **References Cited**
U.S. PATENT DOCUMENTS
- 2,679,998 A * 6/1954 Keller F16B 47/003
D8/367
- 3,283,383 A * 11/1966 Heath A01F 25/13
D8/367
- D259,700 S * 6/1981 Chasen D8/367
- D317,860 S * 7/1991 Gary D8/367
- D328,562 S * 8/1992 Lin D8/367
- D328,563 S * 8/1992 Lin D8/367
- D346,950 S * 5/1994 Dunn D8/367
- D354,429 S * 1/1995 McNaughton D8/367
- D359,441 S * 6/1995 Miller D8/367
- 5,730,413 A * 3/1998 Chen A47G 25/0635
248/303



(56)

References Cited

U.S. PATENT DOCUMENTS

8,739,453 B1 * 6/2014 Conner B60R 7/14
42/99
D729,254 S * 5/2015 Sullivan D14/440
D737,125 S * 8/2015 Callif D8/372
9,144,349 B2 * 9/2015 Groll A47J 45/02
D746,664 S * 1/2016 Najieb D8/367
D765,498 S 9/2016 Dankert
D787,303 S * 5/2017 Garvin D8/367
D817,154 S * 5/2018 Landrum D8/356
D840,792 S * 2/2019 Sugawara D8/367
D864,697 S * 10/2019 Gnocchini D8/367
D864,699 S * 10/2019 Blaney D8/367
D880,990 S * 4/2020 Liu D8/367
10,799,055 B2 * 10/2020 McNabb A47H 1/14
D917,266 S 4/2021 Winnie
D918,023 S * 5/2021 Underwood D8/373
11,015,641 B2 * 5/2021 Cardella E05B 15/102
D941,949 S * 1/2022 Zheng D21/826
D945,866 S 3/2022 Luo
D948,997 S * 4/2022 Wang D8/367
D953,150 S * 5/2022 Luo D8/367
D953,849 S * 6/2022 Liu D8/367
D956,529 S * 7/2022 Schuster D8/367
D960,694 S * 8/2022 Chen D8/367
D966,872 S * 10/2022 Liu D8/367
D966,873 S * 10/2022 Chen D8/367
D968,937 S * 11/2022 Liang D8/367
D976,688 S * 1/2023 Jiang D8/367
D980,046 S * 3/2023 Chen D8/367
D980,048 S * 3/2023 Wexler D8/373
2014/0339389 A1 * 11/2014 Futrell A47B 97/00
248/303

* cited by examiner

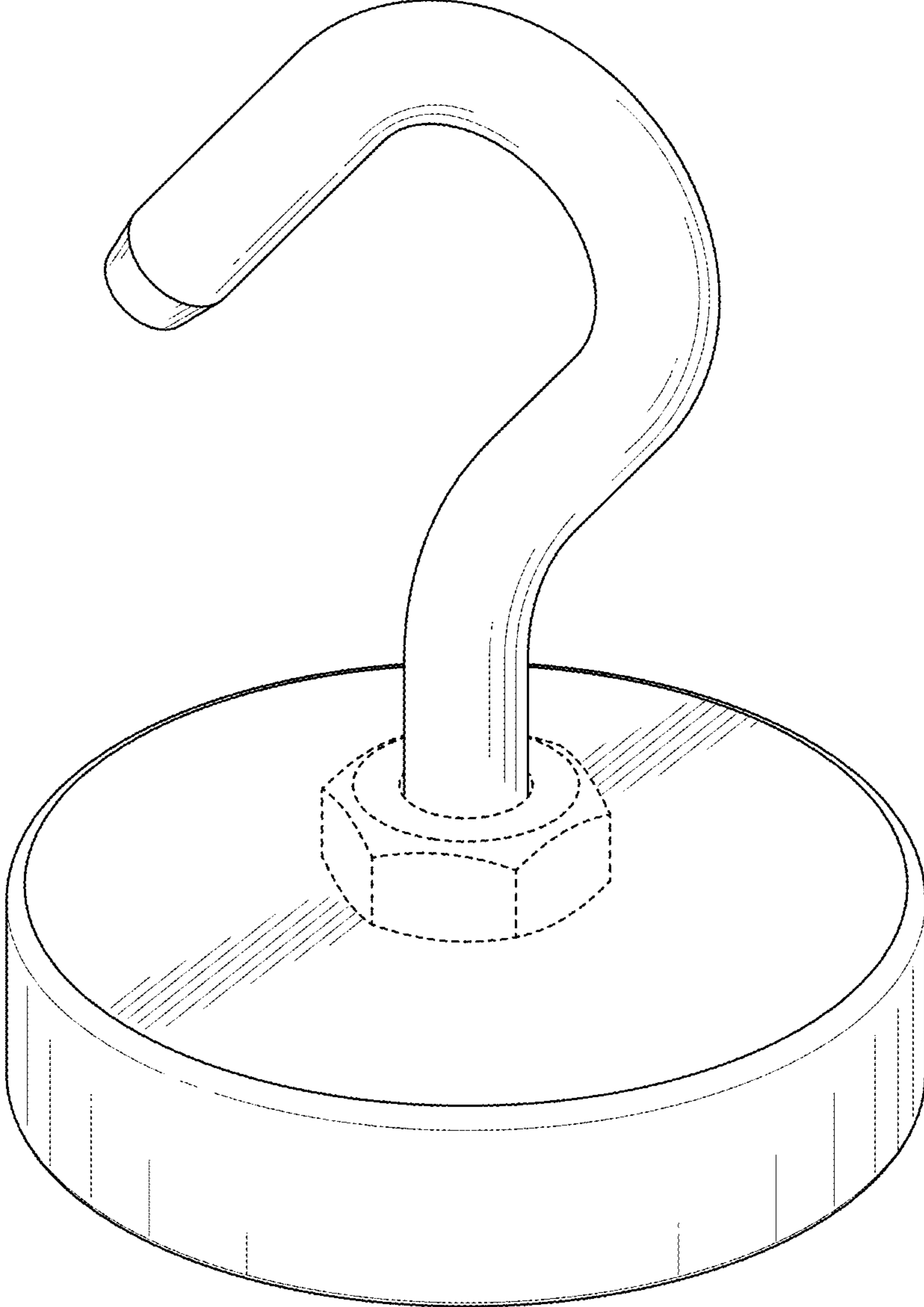


FIG. 1

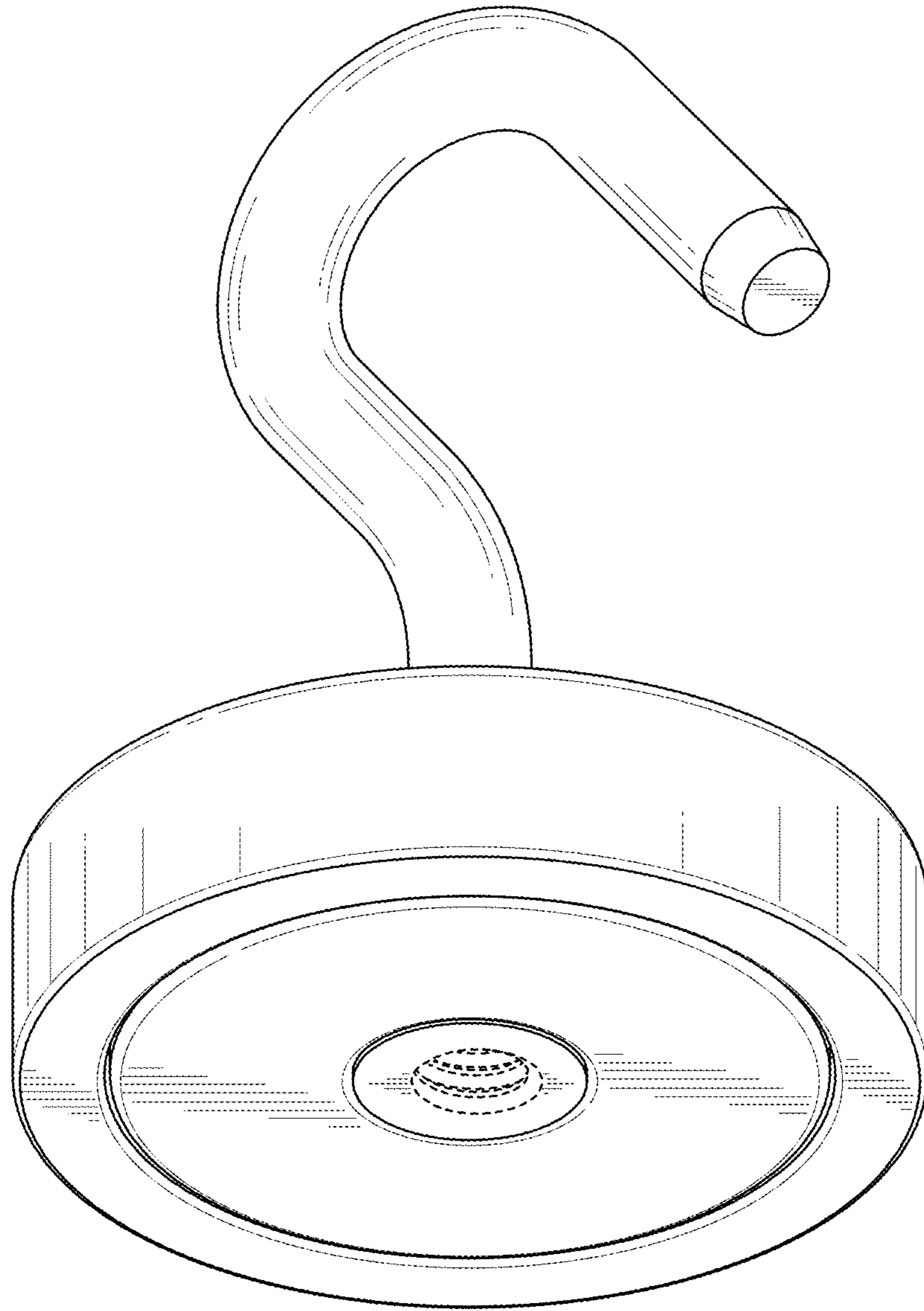


FIG. 2

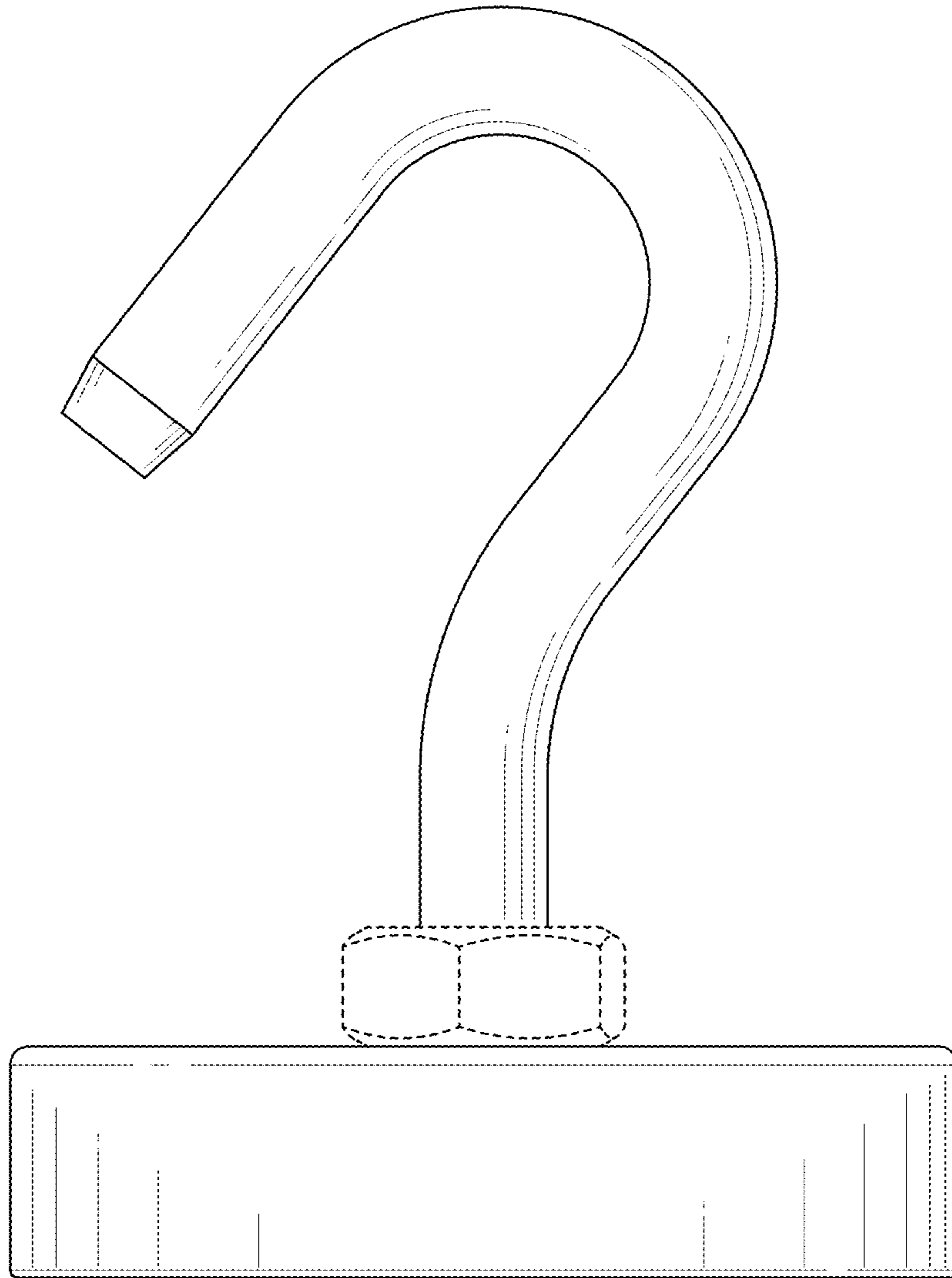


FIG. 3

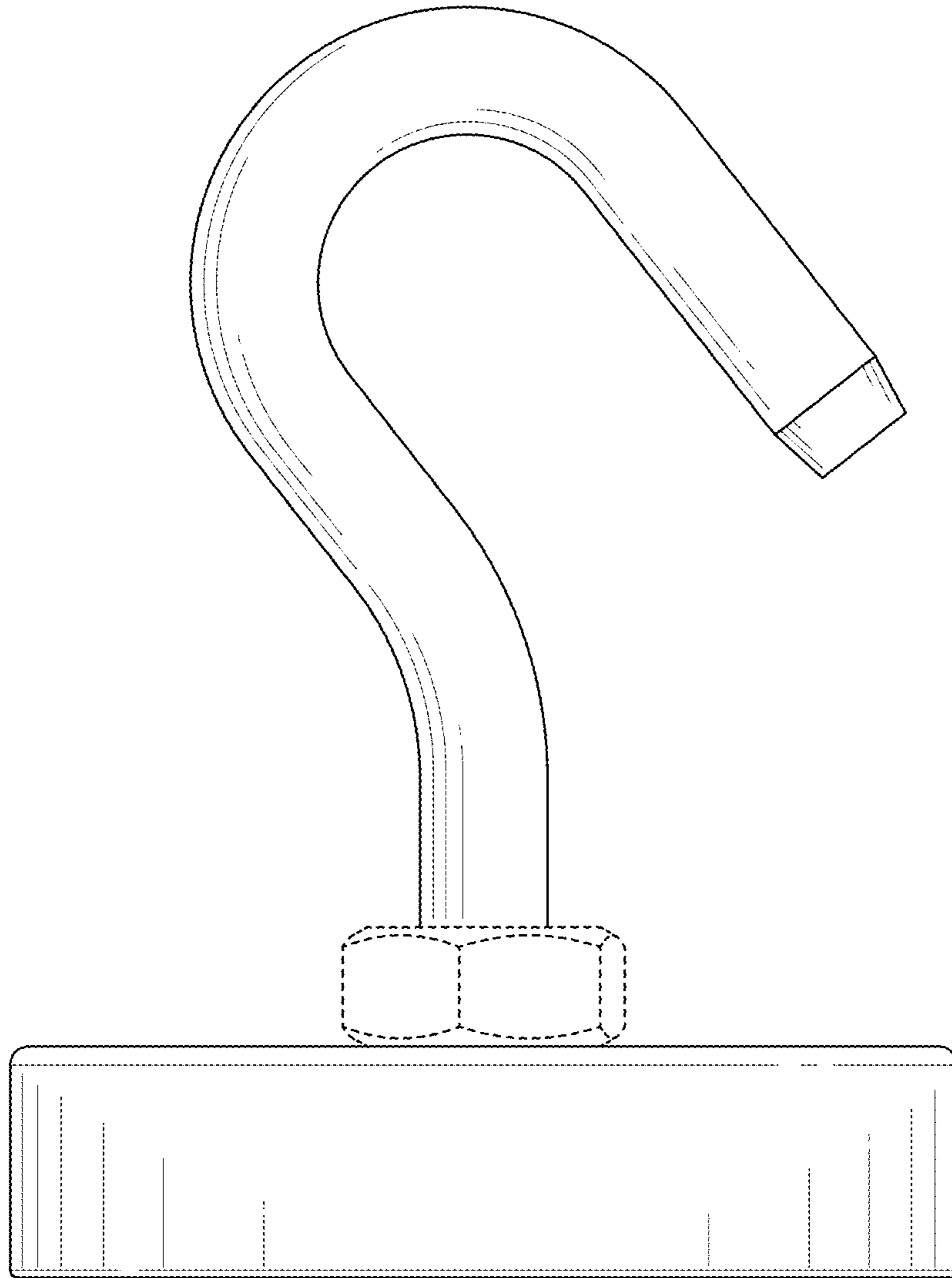


FIG. 4

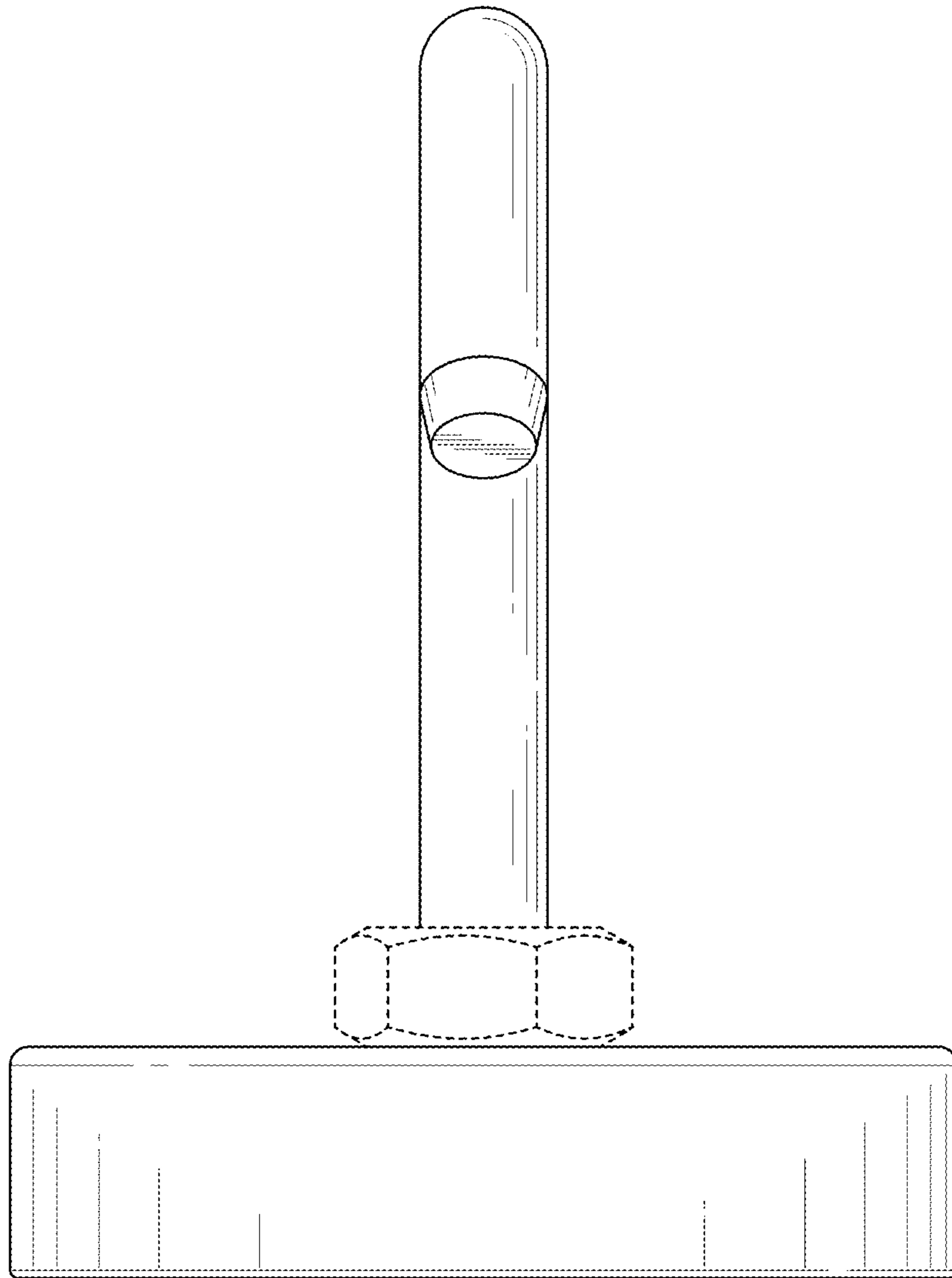


FIG. 5

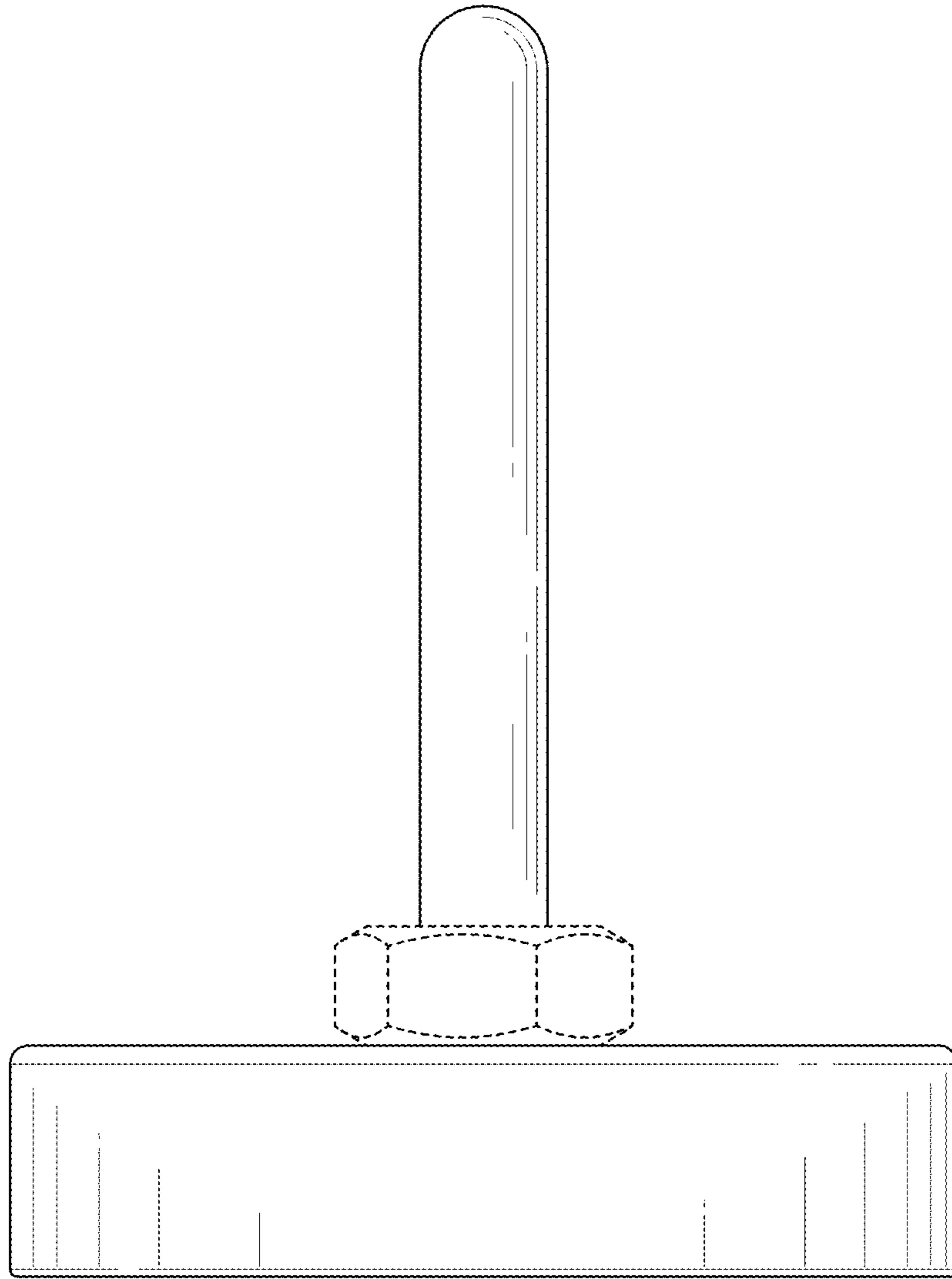


FIG. 6

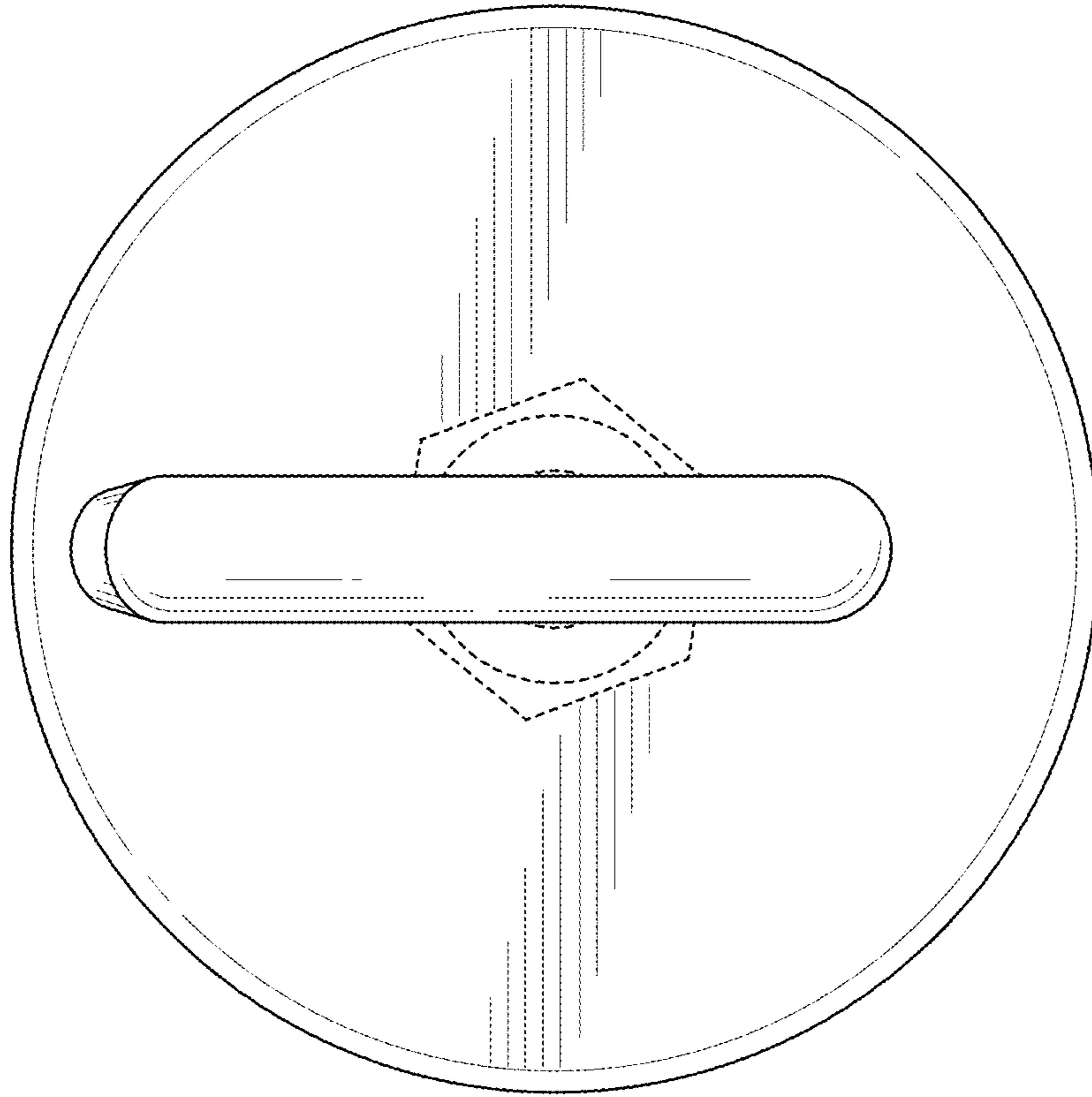


FIG. 7

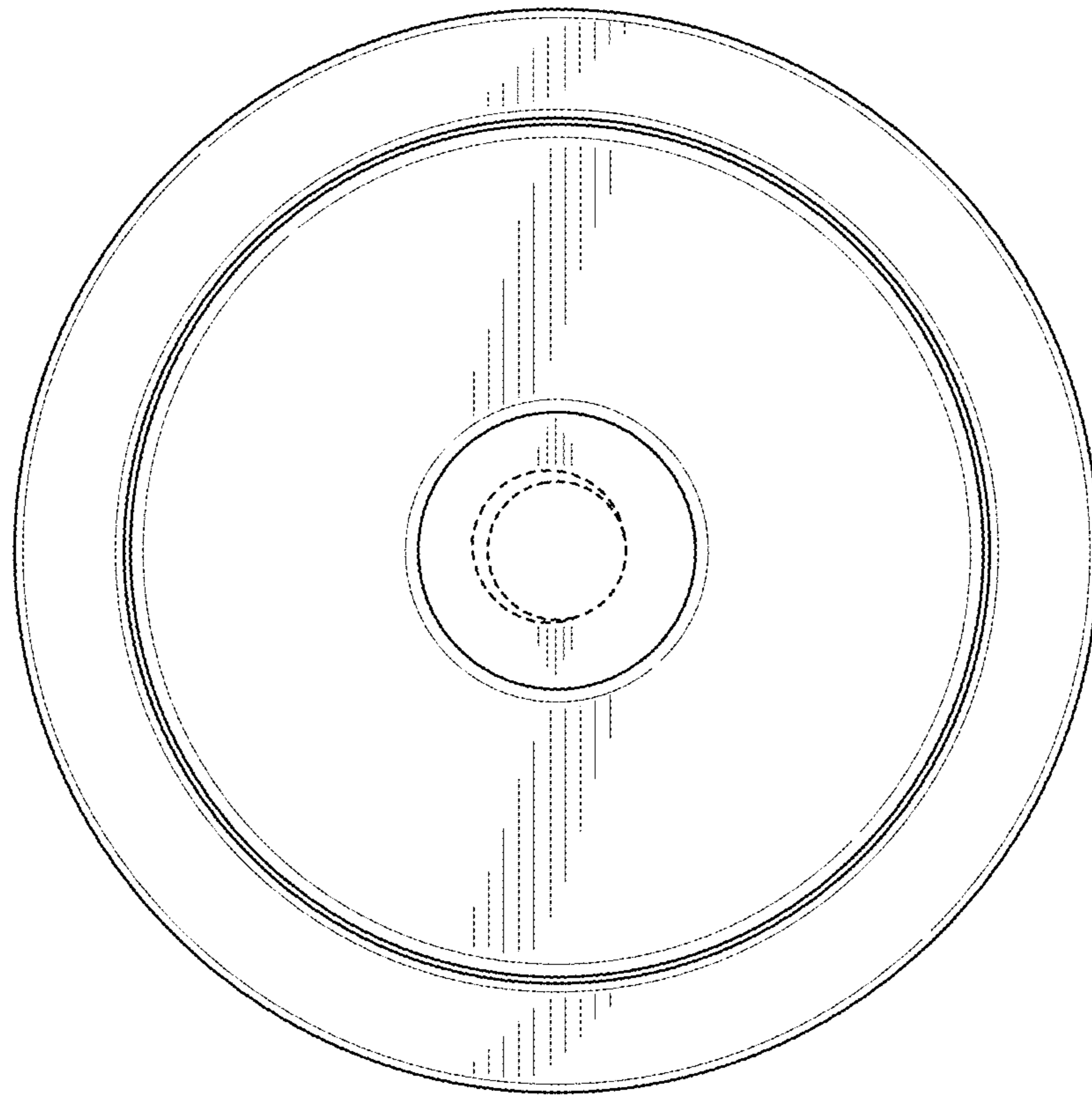


FIG. 8