



US00D985373S

(12) **United States Design Patent** (10) **Patent No.:** **US D985,373 S**
Eismann (45) **Date of Patent:** **** May 9, 2023**

(54) **HANGER**
(71) Applicant: **Keith Eismann**, Waukesha, WI (US)
(72) Inventor: **Keith Eismann**, Waukesha, WI (US)
(**) Term: **15 Years**
(21) Appl. No.: **29/749,621**
(22) Filed: **Sep. 8, 2020**
(51) **LOC (14) Cl.** **08-11**
(52) **U.S. Cl.**
USPC **D8/367**
(58) **Field of Classification Search**
USPC D8/367, 373, 358, 395, 394; 248/68.1;
D24/128; D6/323, 325, 328
CPC F16B 45/00; H02G 3/30
See application file for complete search history.

D859,131 S * 9/2019 Abeel D8/367
D931,389 S * 9/2021 Dunahay D8/367
D962,040 S * 8/2022 Woolman D8/367
D976,083 S * 1/2023 Diefenbach D8/367

OTHER PUBLICATIONS

Australian Government, Design 201512763 | Registration 362650, <https://search.ipaustralia.gov.au/designs/search/details/201512763?s=36ebc361-cc04-466d-b425-a76d8eb1ff58>, Accessed Aug. 14, 2020.
Stayput Fasteners, Product Range, http://www.stayputfasteners.com.au/index_2.html, Accessed Aug. 14, 2020.
ObeCo, Stayput Tent Wall Hook (White), <https://www.obecoinc.com/SP50W>, Accessed Aug. 14, 2020.
Amazon.com, Hang Tite Hangers for Tent Sidewall, Awnings, Banners, PVC Fabric, Signage and Much More—Pack of 10 Sets of Hangers by First Choice Products, https://www.amazon.com/Hangers-Sidewall-Awnings-Banners-Signage/dp/B088FZ3ZY3/ref=sr_1_1?dchild=1&keywords=Hang+Tite+Hangers+for+Tent+Sidewall%2C+Awnings&qid=1597439728&sr=8-1, Accessed Aug. 14, 2020, Published May 11, 2020.

* cited by examiner

Primary Examiner — Cynthia R Underwood

(56) **References Cited**

U.S. PATENT DOCUMENTS

2,049,716 A 8/1936 Owen
D417,385 S * 12/1999 Bries D8/367
D480,292 S * 10/2003 Johansson D8/367
6,651,945 B2 11/2003 Rivellino et al.
D516,953 S 3/2006 Hollingworth et al.
D517,947 S 3/2006 Hollingworth et al.
7,189,024 B2 3/2007 Cameron
D543,837 S * 6/2007 Newbould D8/367
D579,322 S * 10/2008 Newbould D8/367
D609,995 S * 2/2010 Hager D8/367
D632,951 S * 2/2011 McGreevy D8/367
D641,228 S * 7/2011 Qiblawi D8/367
D665,653 S * 8/2012 Thompson D8/367
D678,041 S * 3/2013 Pan D8/367
D680,804 S * 4/2013 Gilboe D7/367
D697,388 S * 1/2014 Pan D8/367
D697,389 S * 1/2014 Pan D8/367
D709,755 S 7/2014 Hollingworth
D801,787 S * 11/2017 Pan D8/367
D842,082 S * 3/2019 Thompson D8/367

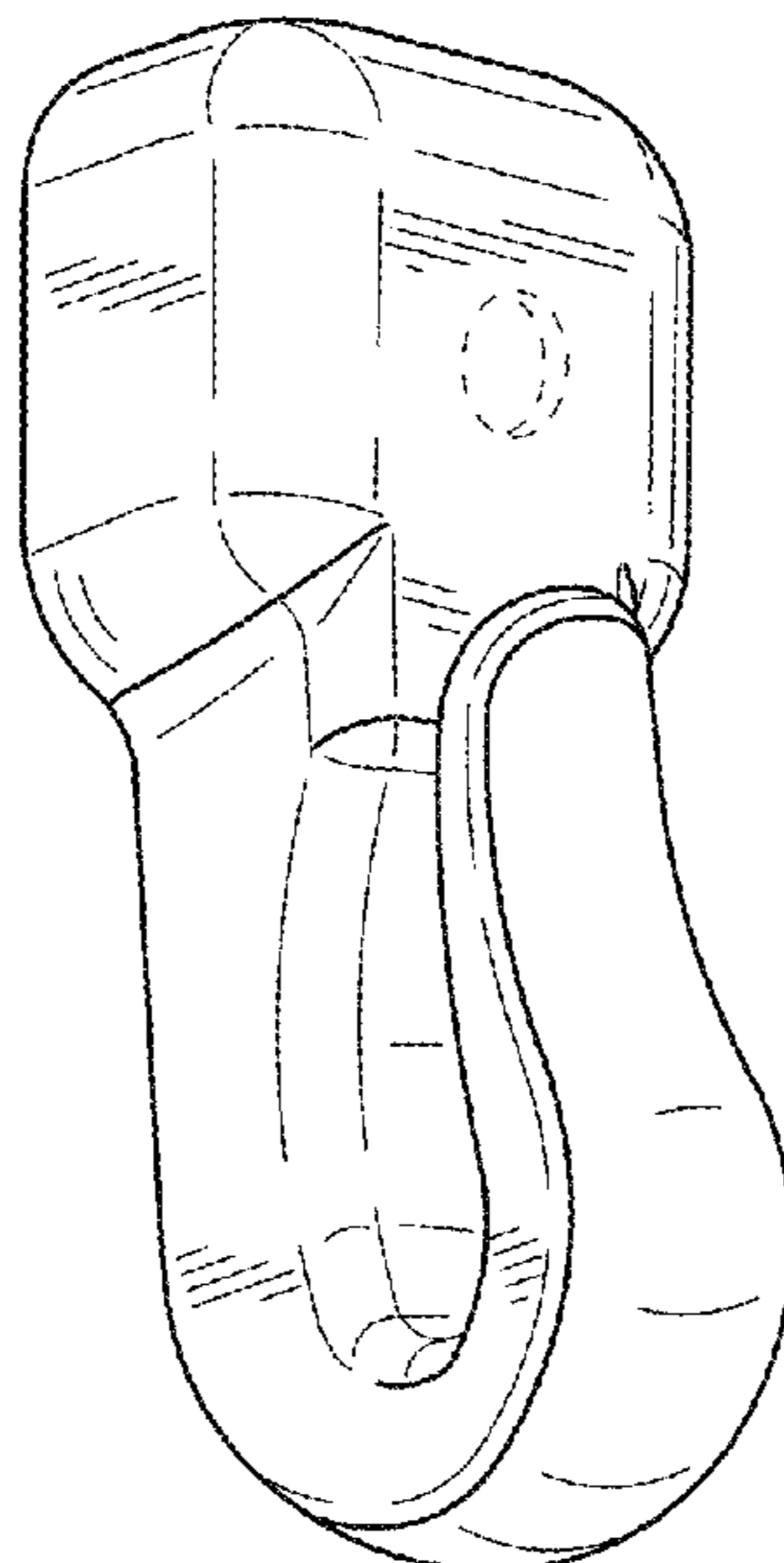
(57) **CLAIM**

The ornamental design for a hanger, as shown and described.

DESCRIPTION

FIG. 1 is a perspective view showing the hanger embodying the new design;
FIG. 2 is a front elevation view thereof;
FIG. 3 is a rear elevation view thereof;
FIG. 4 is a left side elevation thereof, the right side view is a mirror image thereof;
FIG. 5 is a top plan view thereof; and,
FIG. 6 is a bottom plan view thereof.
The broken lines in the drawing views are included for the purpose of illustrating unclaimed environment only, and forms no part of the claimed design.

1 Claim, 3 Drawing Sheets



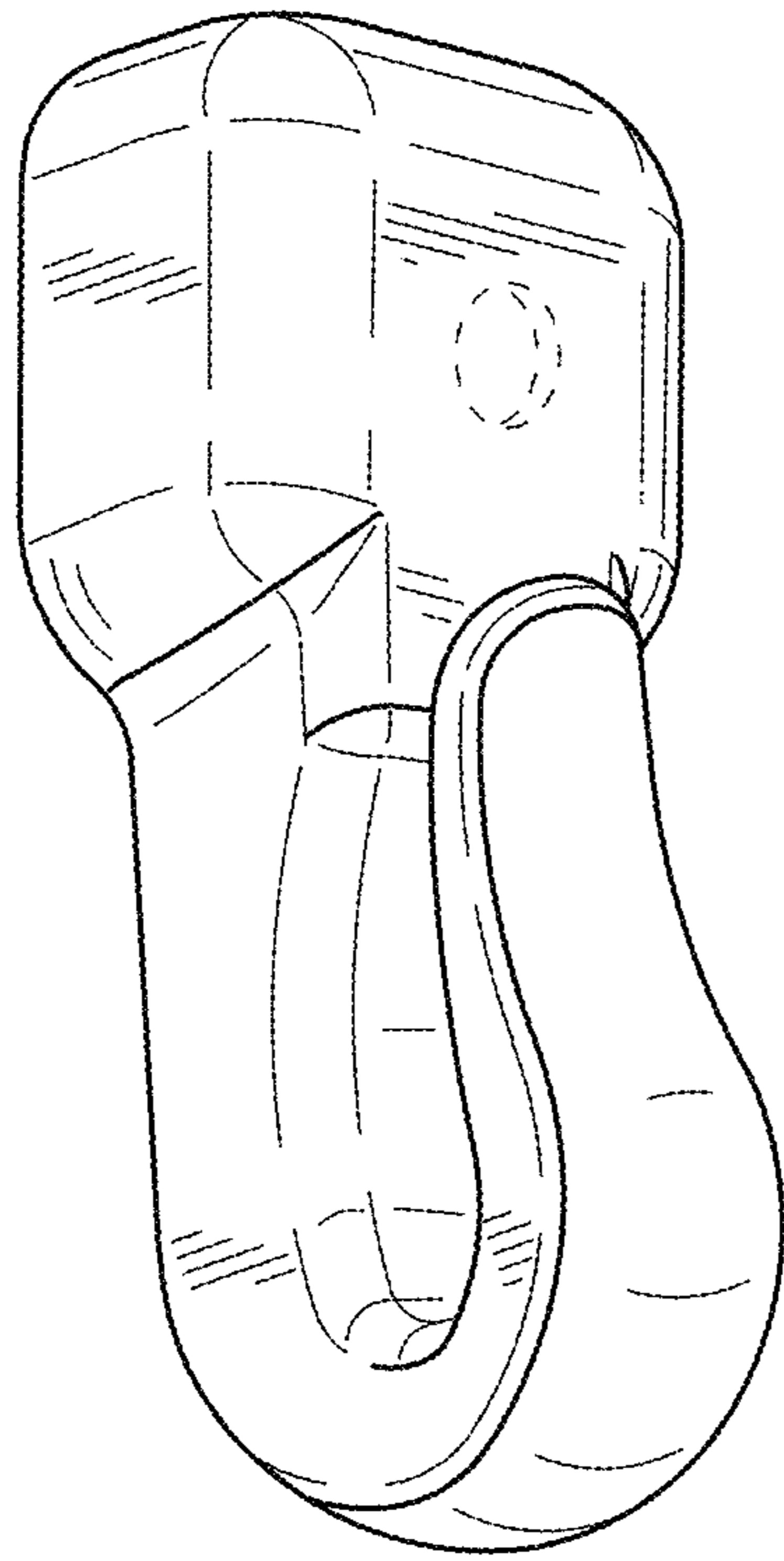


FIG. 1

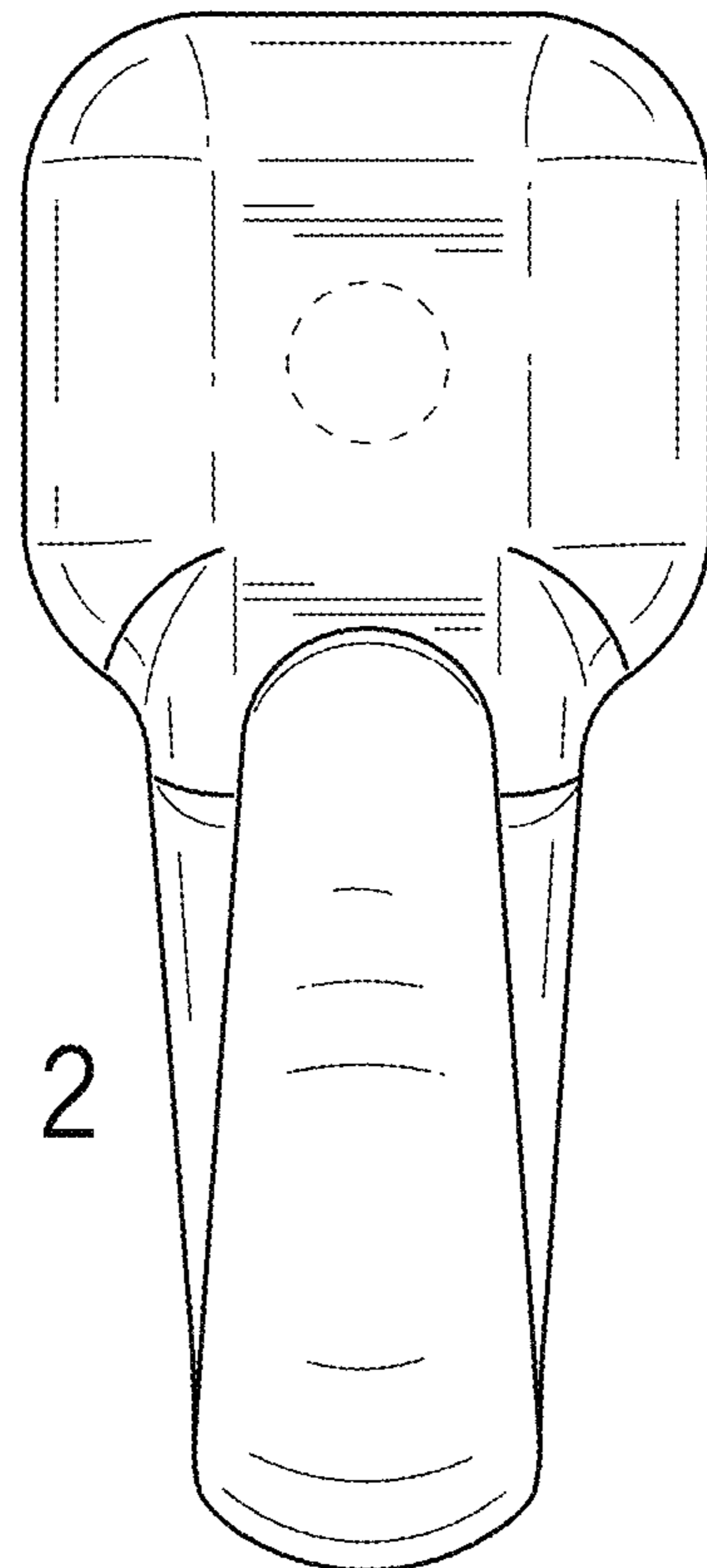


FIG. 2

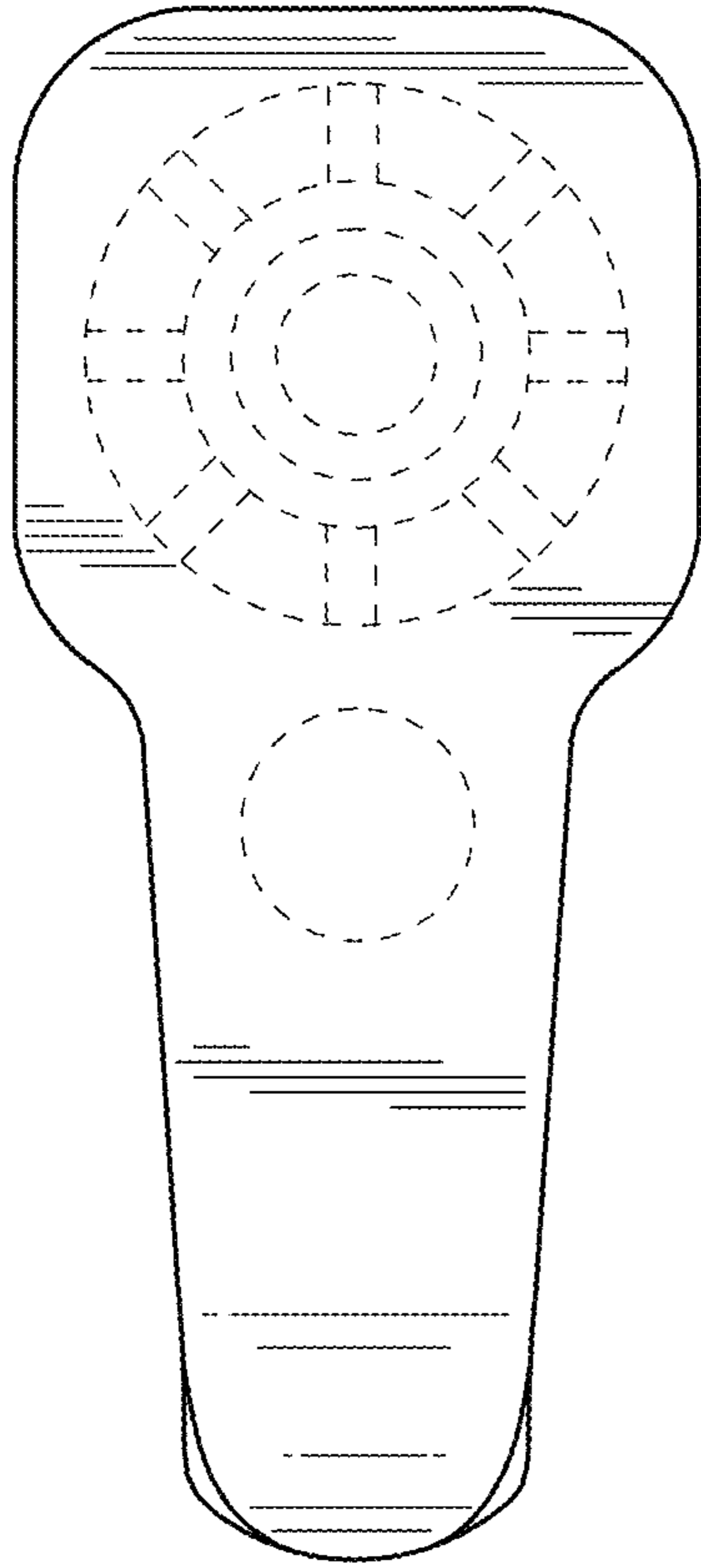


FIG. 3

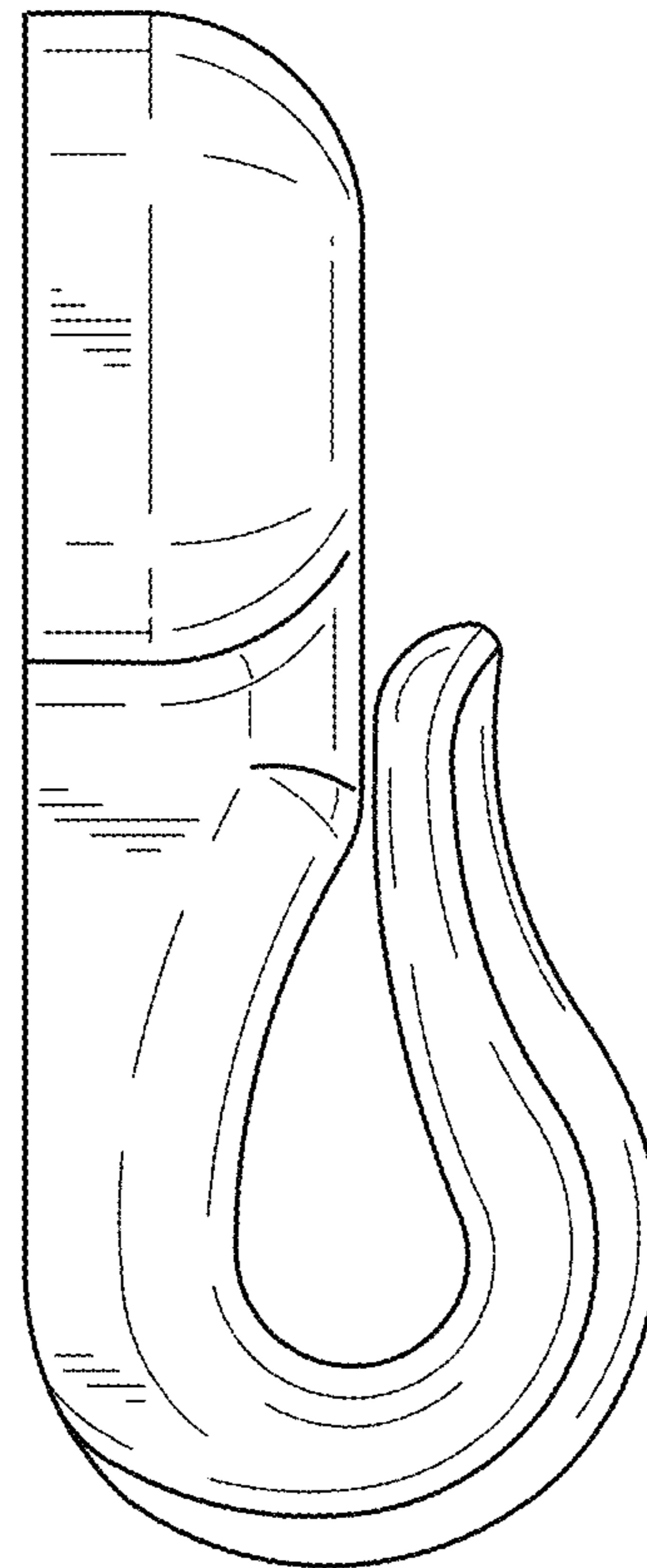


FIG. 4

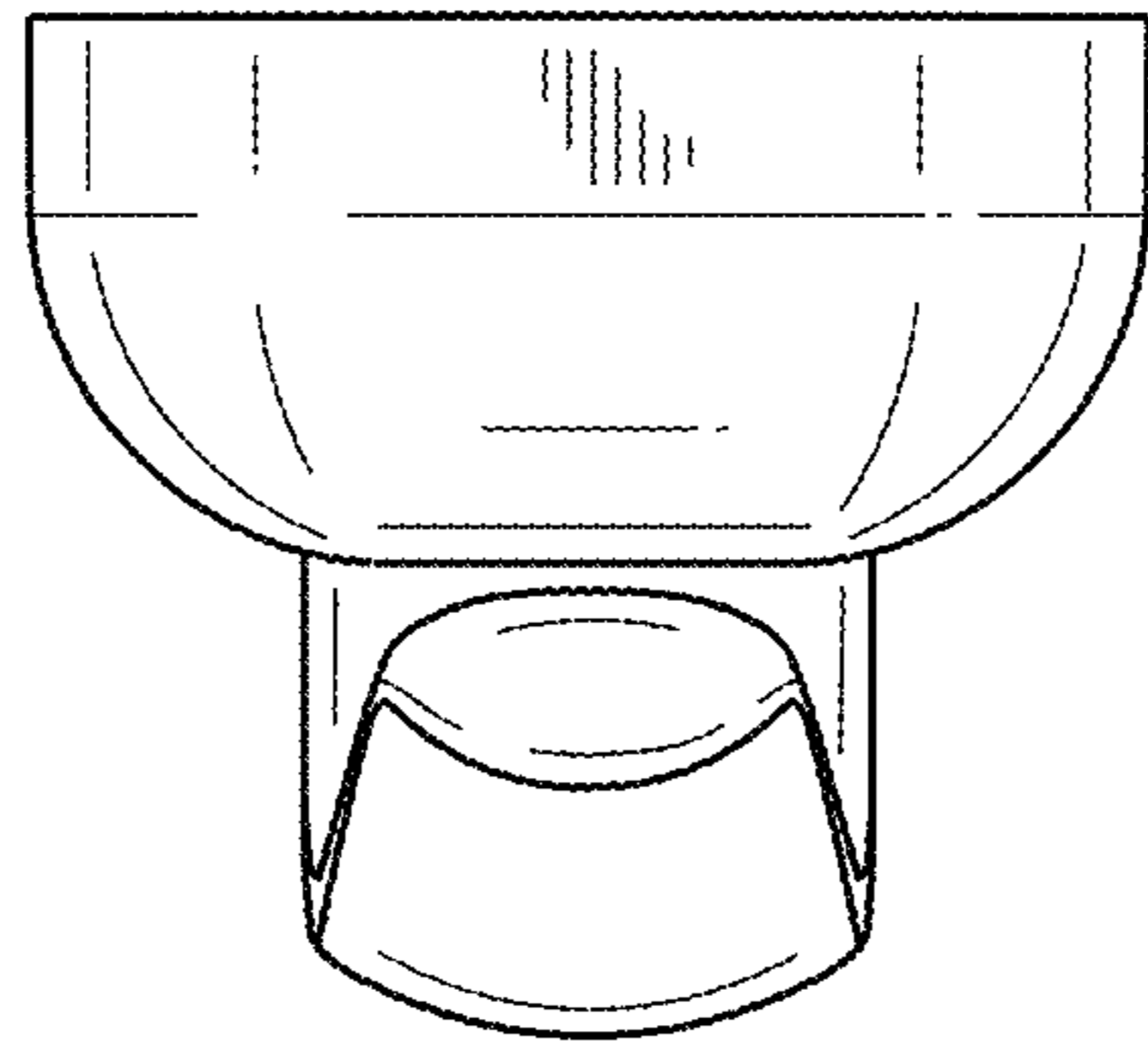


FIG. 5

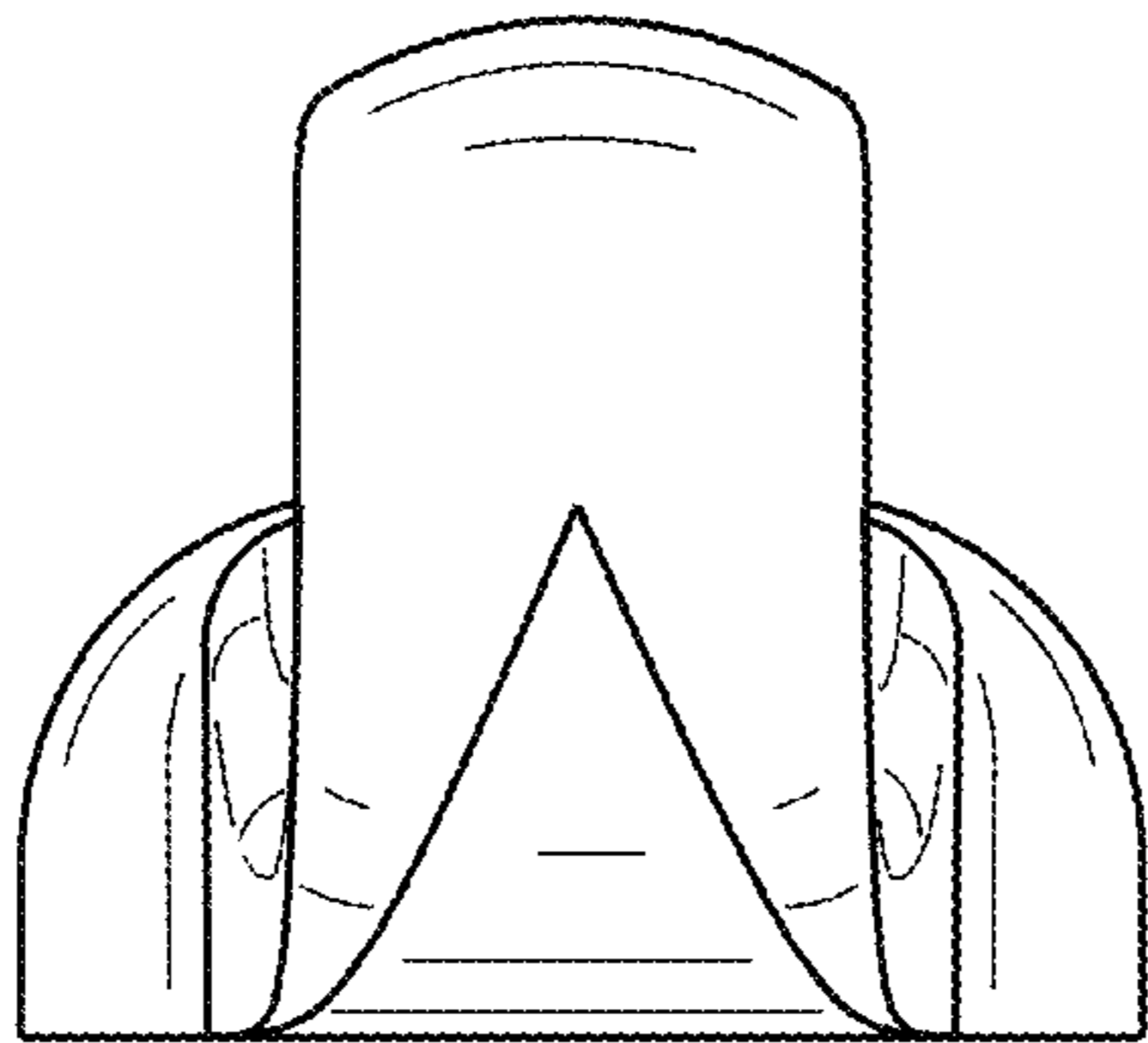


FIG. 6