



US00D985371S

(12) **United States Design Patent** (10) **Patent No.:** **US D985,371 S**
Li (45) **Date of Patent:** **** May 9, 2023**

(54) **FLAGPOLE MOUNTING BRACKET**

6,811,132 B1 * 11/2004 Ferdinand F16M 13/02
248/538

(71) Applicant: **FLYHAWK INC.**

D499,954 S * 12/2004 Brushaber D8/355

(72) Inventor: **Jun Li**, Chino Hills, CA (US)

D578,057 S 10/2008 Frenock

7,942,754 B1 5/2011 Miller, Jr.

D639,206 S 6/2011 Lach et al.

(73) Assignee: **FLYHAWK INC.**, Chino Hills, CA (US)

D750,529 S * 3/2016 Power D11/183

D829,598 S * 10/2018 Sanderson, Jr. D11/182

D929,897 S 9/2021 Cooley

2003/0168573 A1 * 9/2003 Luo G09F 17/00
248/512

(**) Term: **15 Years**

2009/0314910 A1 12/2009 Jeanveau

2011/0180683 A1 7/2011 Lach et al.

(21) Appl. No.: **29/821,678**

2016/0284253 A1 9/2016 William, Jr.

(22) Filed: **Dec. 31, 2021**

2017/0046989 A1 2/2017 Butler, III

2020/0100486 A1 4/2020 McMenamy

(51) **LOC (14) Cl.** **08-11**

FOREIGN PATENT DOCUMENTS

(52) **U.S. Cl.**

CN 207800100 U 8/2018

USPC **D8/363**; D8/373; D11/183

CN 215069150 U 12/2021

(58) **Field of Classification Search**

EM 003490697-0001 12/2016

USPC D8/349, 354, 356, 358, 359, 366, 367,
D8/372, 373, 376, 382-385, 394, 395,
D8/396; D11/182, 183; D6/513

* cited by examiner

CPC G09F 17/00; G09F 2017/005; G09F
2017/0066; G09F 2017/0075; G09F
17/0091; G09F 2017/0008; G09F 7/18;
G09F 2007/1813; G09F 2017/0033;
A47K 2201/02; A47H 1/142

Primary Examiner — Lauren R Calve

(74) *Attorney, Agent, or Firm* — Jiwen Chen; Joywin IP
Law PLLC

See application file for complete search history.

(57) **CLAIM**

The ornamental design for a flagpole mounting bracket, as
shown and described.

(56) **References Cited**

DESCRIPTION

U.S. PATENT DOCUMENTS

- 1,815,353 A 8/1928 Gerow et al.
- 3,104,122 A * 9/1963 Daniels E04H 12/24
248/219.4
- D200,407 S * 2/1965 Wessel D8/380
- D292,897 S 11/1987 Restrepo
- 5,163,244 A * 11/1992 Rupp A01K 97/11
248/514
- 5,269,488 A 12/1993 Lach
- D348,384 S * 7/1994 Karsten D8/363
- D476,919 S 7/2003 Vidmar
- D477,245 S 7/2003 Luo

FIG. 1 is a perspective view of a flagpole mounting bracket
showing the design;

FIG. 2 is a front elevational view thereof;

FIG. 3 is a rear elevational view thereof;

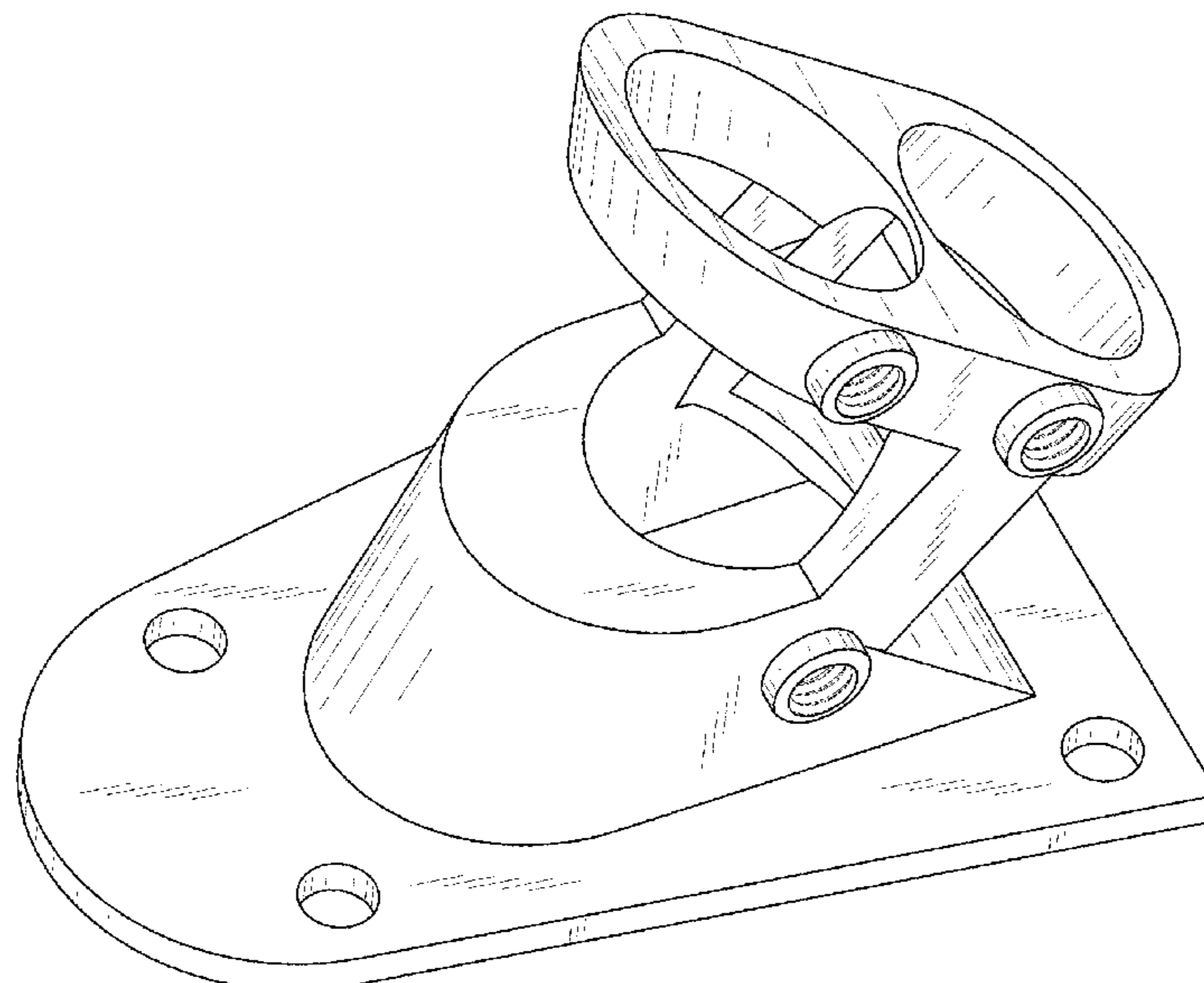
FIG. 4 is a top plan view thereof;

FIG. 5 is a bottom plan view thereof;

FIG. 6 is a left side view thereof; and,

FIG. 7 is a right side view thereof.

1 Claim, 7 Drawing Sheets



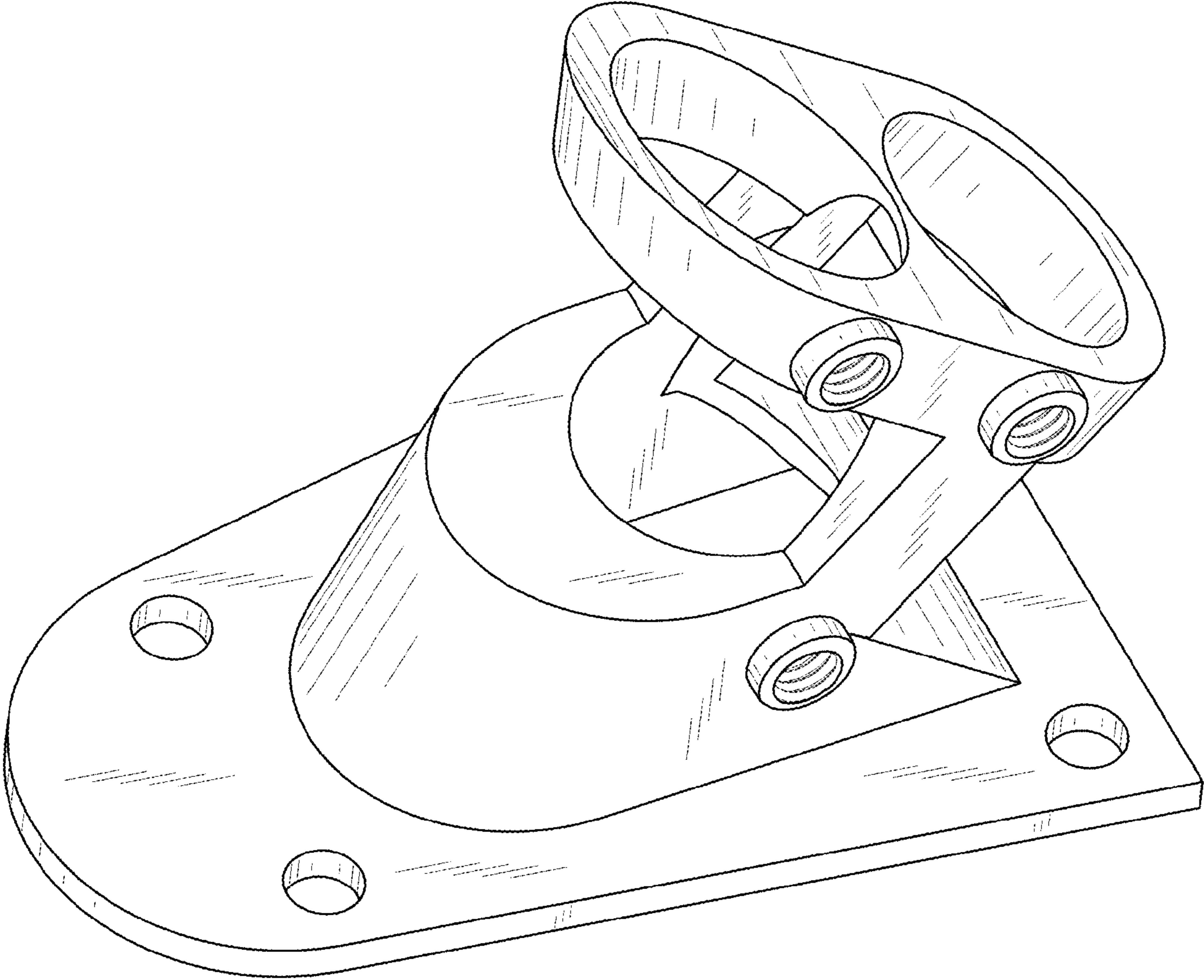


FIG. 1

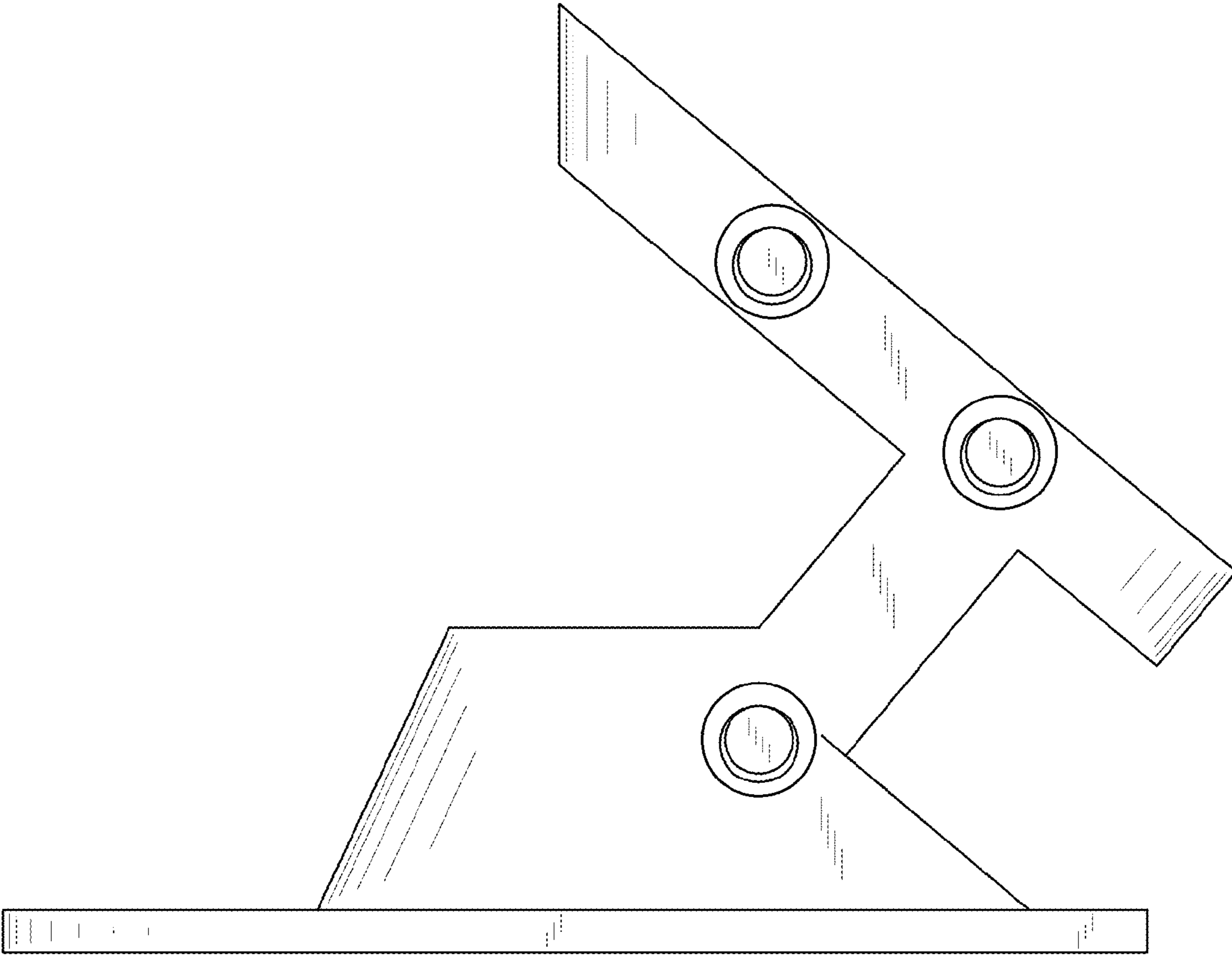


FIG. 2

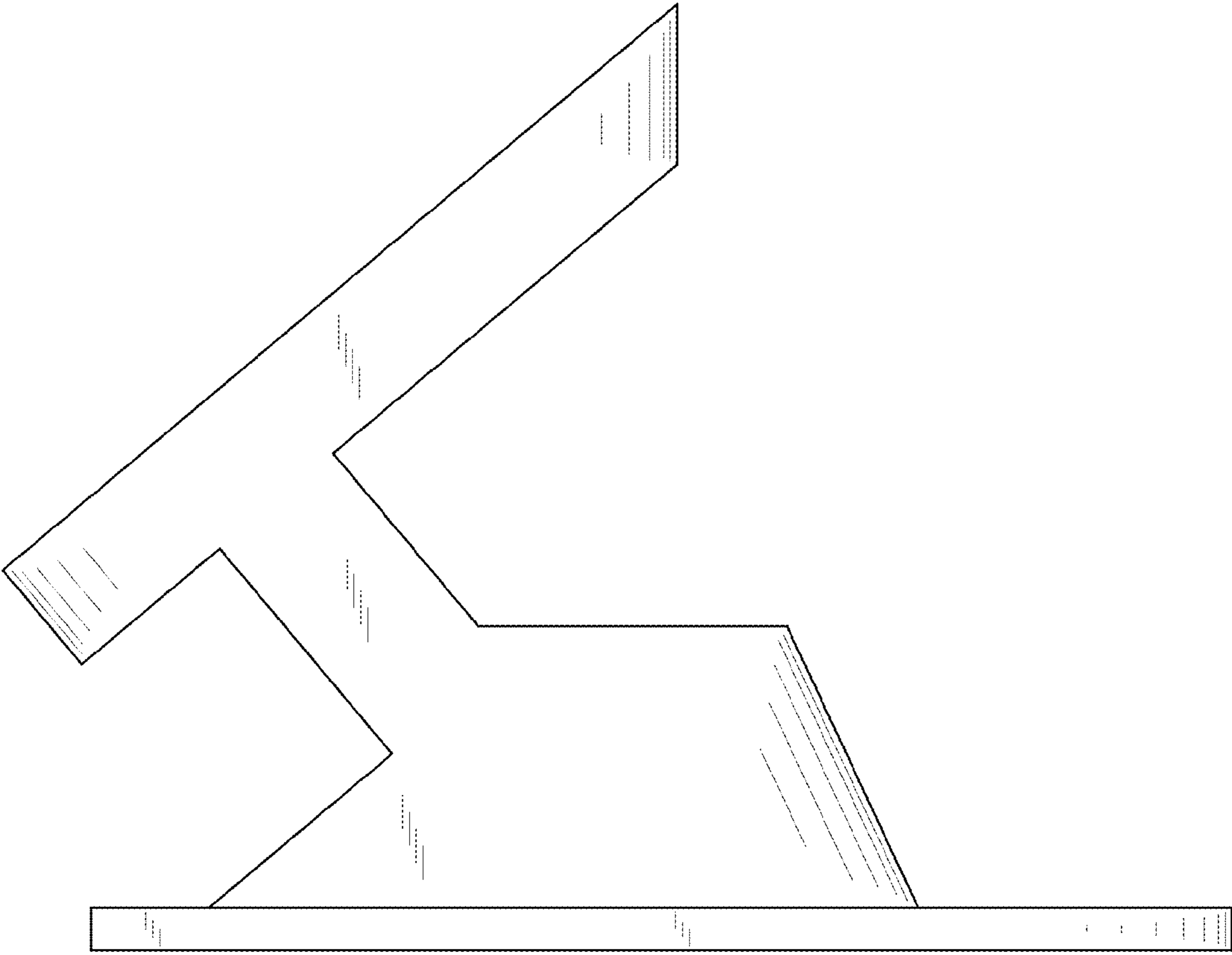


FIG. 3

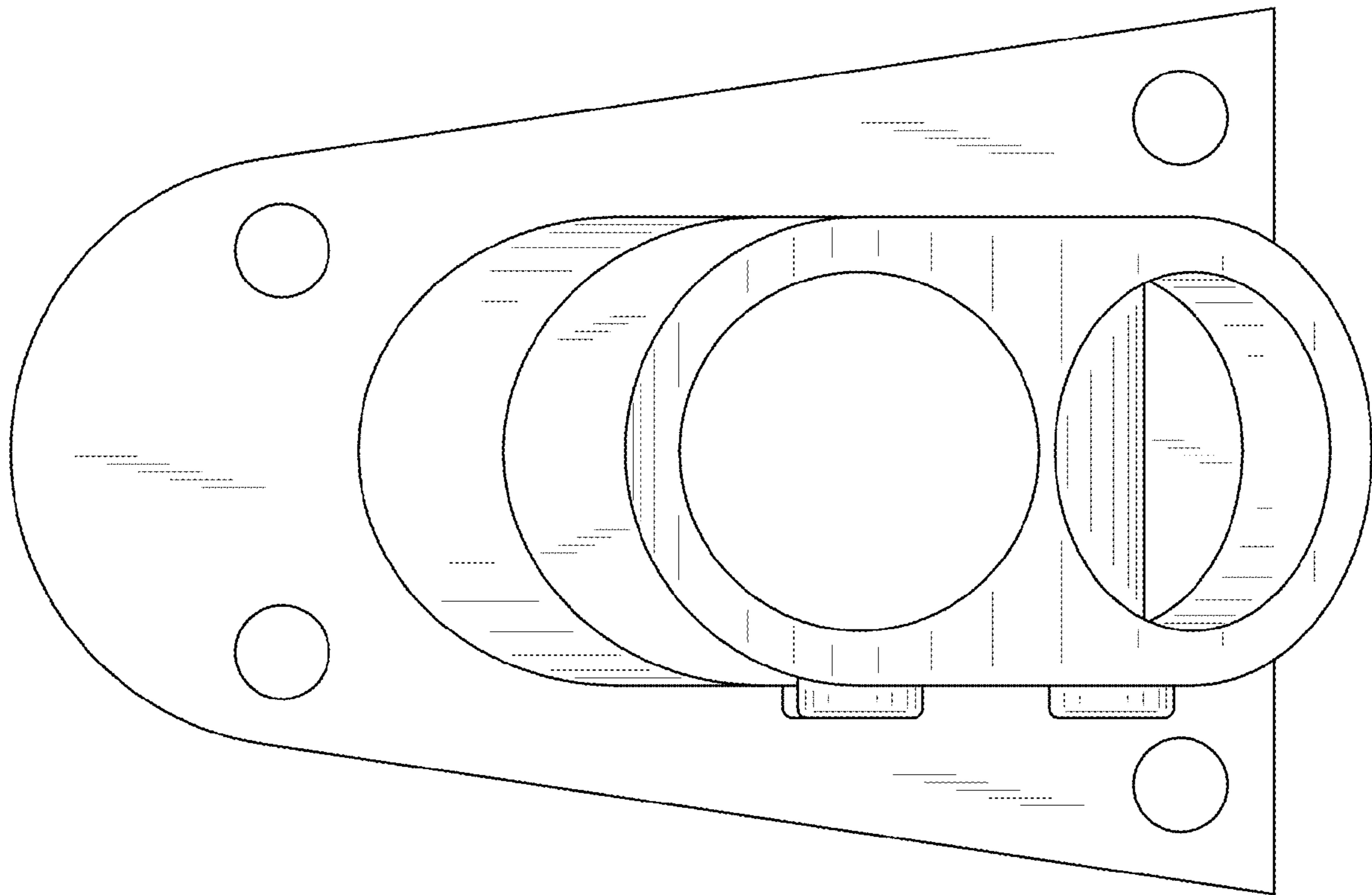


FIG. 4

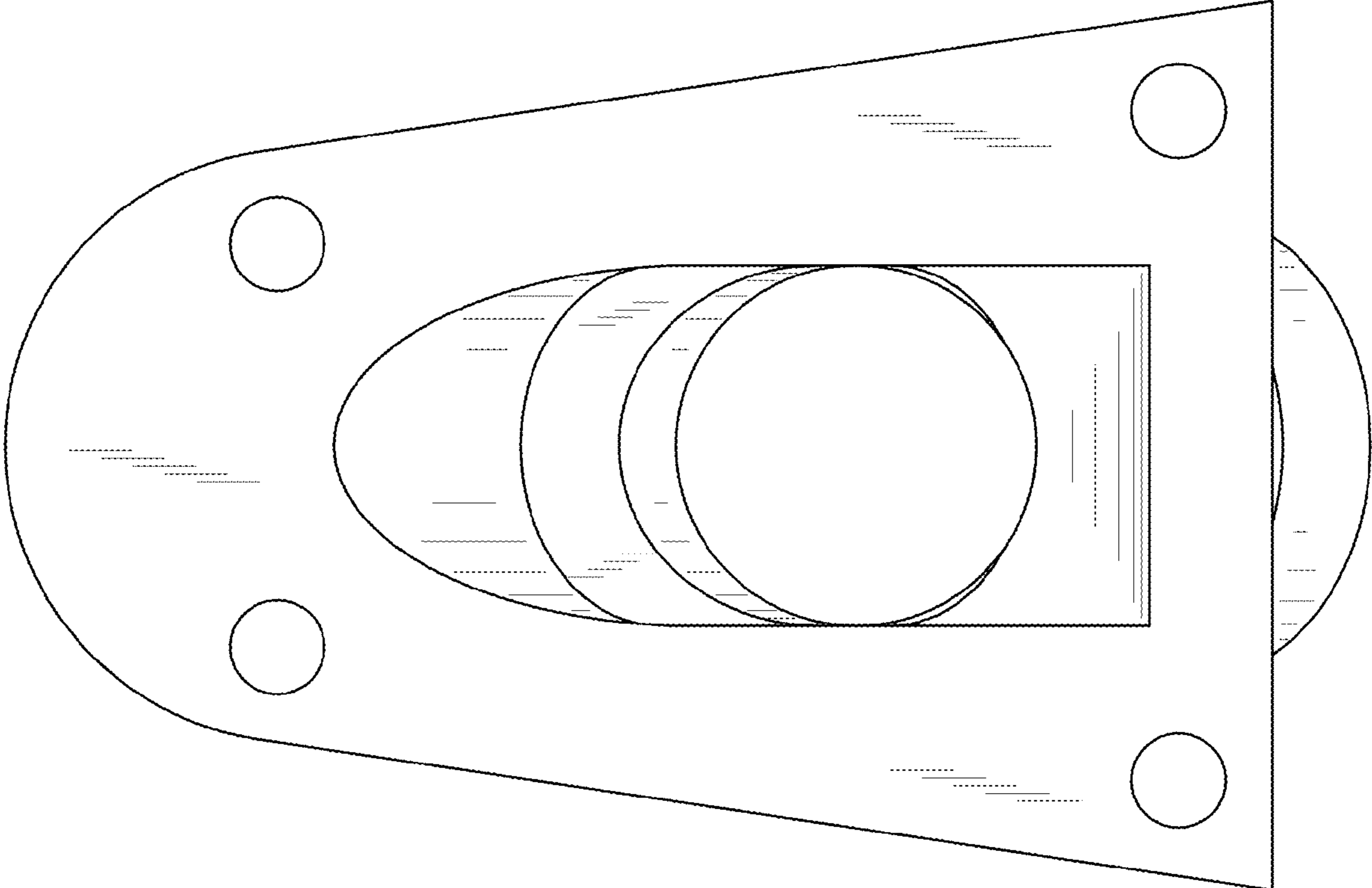


FIG. 5

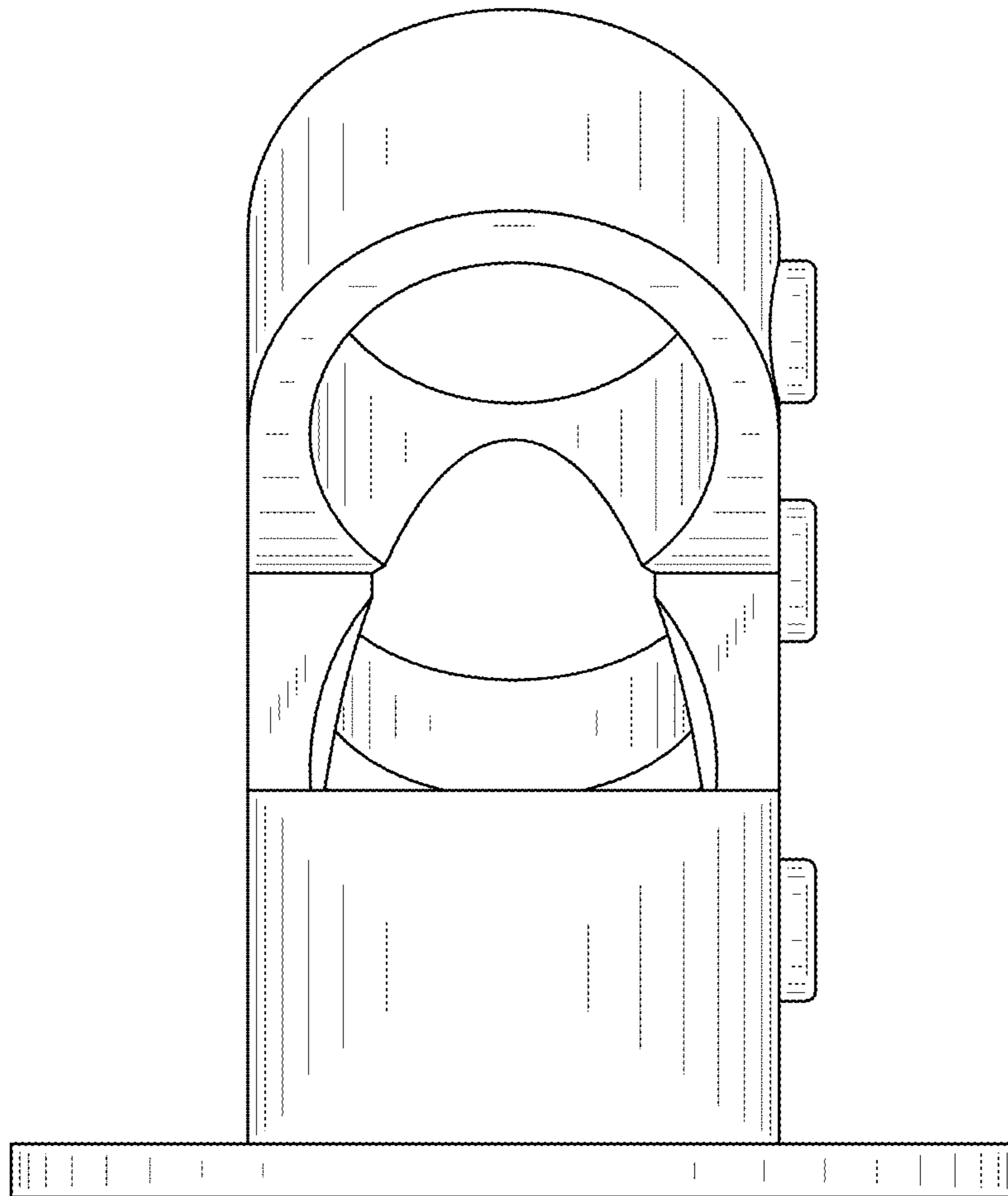


FIG. 6

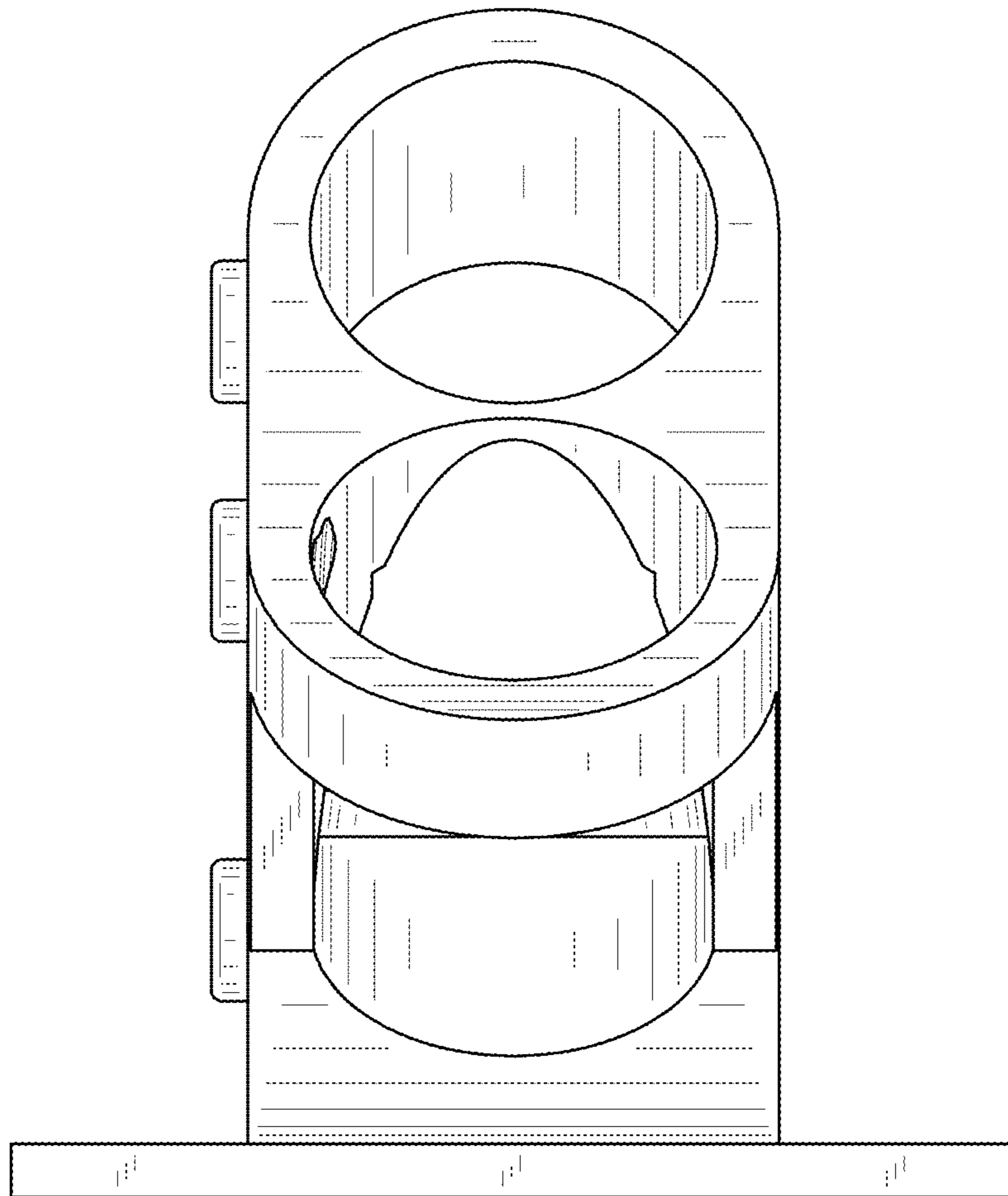


FIG. 7