



US00D985369S

(12) **United States Design Patent**
Zheng et al.

(10) **Patent No.:** **US D985,369 S**
(45) **Date of Patent:** **** May 9, 2023**

(54) **BRACKET**

(71) Applicant: **SHENZHEN DIYIWEI ELECTRONICS CO., LTD.**, Shenzhen (CN)

(72) Inventors: **Yuchen Zheng**, Shenzhen (CN); **Fan Yu**, Shenzhen (CN)

(73) Assignee: **SHENZHEN DIYIWEI ELECTRONICS CO., LTD.**, Shenzhen (CN)

(**) Term: **15 Years**

(21) Appl. No.: **29/796,795**

(22) Filed: **Jun. 27, 2021**

(30) **Foreign Application Priority Data**

Jan. 7, 2021 (CN) 202130010009.1

(51) **LOC (14) Cl.** **08-11**

(52) **U.S. Cl.**
USPC **D8/363**; D8/366

(58) **Field of Classification Search**
USPC D8/373, 363, 366; D6/513, 514, 611,
D6/553, 556, 55; D7/601-602, 605-607;
D12/415-419, 423

(Continued)

(56) **References Cited**

U.S. PATENT DOCUMENTS

D411,738 S * 6/1999 Raasch D8/381
D431,019 S * 9/2000 Richter D6/406.4

(Continued)

OTHER PUBLICATIONS

Lisen Car Headrest Tablet Mount, by Lisen on Amazon.com. Dated May 5, 2021. Found online [Dec. 27, 2022]. <https://www.amazon.com/LISEN-Headrest-Compatible-Smartphones-4-33in-8-66in/dp/B09472T8TW>.*

(Continued)

Primary Examiner — Eliza Z Harvey

Assistant Examiner — Kayla Marie Bennett

(57) **CLAIM**

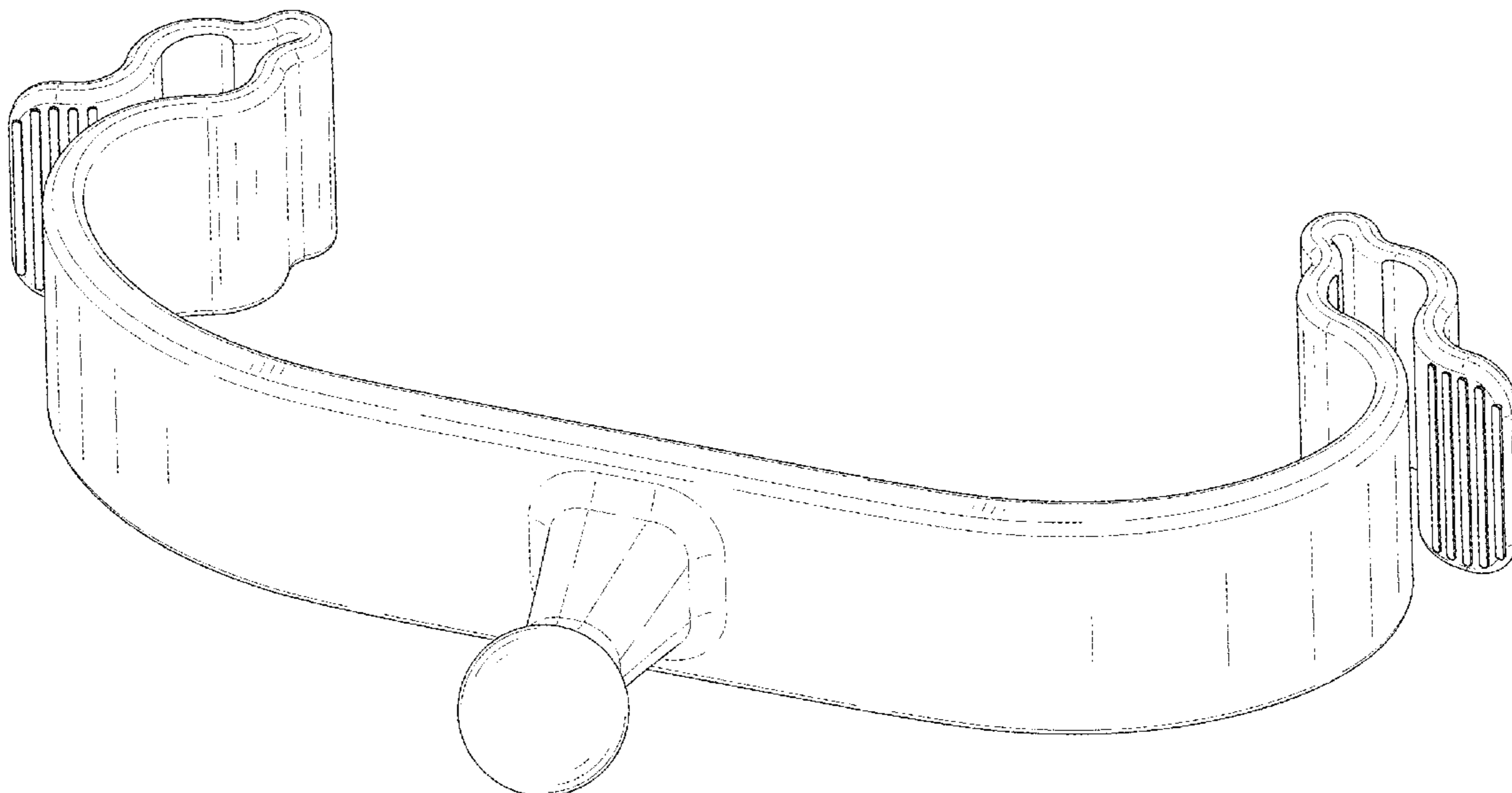
The ornamental design for a bracket, as shown and described.

DESCRIPTION

FIG. 1 is a perspective view of a first embodiment of a bracket showing my new design;
FIG. 2 is another perspective view thereof;
FIG. 3 is a front elevational view thereof;
FIG. 4 is a rear elevational view thereof;
FIG. 5 is a top plan view thereof;
FIG. 6 is a bottom plan view thereof;
FIG. 7 is a left side elevational view thereof;
FIG. 8 is a right side elevational view thereof;
FIG. 9 is a perspective view of the bracket where the bracket is in a configuration of use;
FIG. 10 is a perspective view of a second embodiment of the bracket showing my new design;
FIG. 11 is another perspective view thereof;
FIG. 12 is a front elevational view thereof;
FIG. 13 is a rear elevational view thereof;
FIG. 14 is a top plan view thereof;
FIG. 15 is a bottom plan view thereof;
FIG. 16 is a left side elevational view thereof;
FIG. 17 is a right side elevational view thereof; and,
FIG. 18 is a perspective view of the bracket where the bracket is in a configuration of use.

The broken lines shown in lines shown in FIGS. 2 and 4 are for purposes of illustrating portions of the bracket that form no part of the claimed design; the additional broken lines shown in FIGS. 9 and 18 are for purposes of illustrating environmental subject matter only and form no part of the claimed design.

1 Claim, 18 Drawing Sheets



(58) **Field of Classification Search**

CPC .. B60R 7/14; B60R 7/08; B65D 33/00; B64D
11/0636; B60N 3/004

See application file for complete search history.

(56) **References Cited**

U.S. PATENT DOCUMENTS

D670,295 S * 11/2012 Prescott D14/447
D682,284 S * 5/2013 Hachadorian D14/447
D686,216 S * 7/2013 Hachadorian D14/447
D700,185 S * 2/2014 Fujioka D14/447
D727,656 S * 4/2015 Lim D8/373
D732,046 S * 6/2015 Lee D14/447
D750,633 S * 3/2016 Minn D14/447
D757,705 S * 5/2016 Esses D14/251
D780,168 S * 2/2017 Du D14/253
D796,421 S * 9/2017 Huang D12/415
10,214,154 B2 * 2/2019 Pirri B60K 35/00
D868,054 S * 11/2019 Kim D12/415
D873,260 S * 1/2020 Dang D12/415
D882,560 S * 4/2020 Liao D14/253
D893,471 S * 8/2020 Liao D12/415
D928,041 S * 8/2021 Jones D12/114
D942,926 S * 2/2022 Deng D12/416
D966,254 S * 10/2022 Zhang D14/253
2022/0219618 A1 * 7/2022 Zheng F16M 11/041

OTHER PUBLICATIONS

Lisen Tablet iPad Holder, by Lisen on Amazon.com. Dated Jan. 26,
2021. Found online [Dec. 27, 2022]. <https://www.amazon.com/dp/B08TZTV38C>.*

* cited by examiner

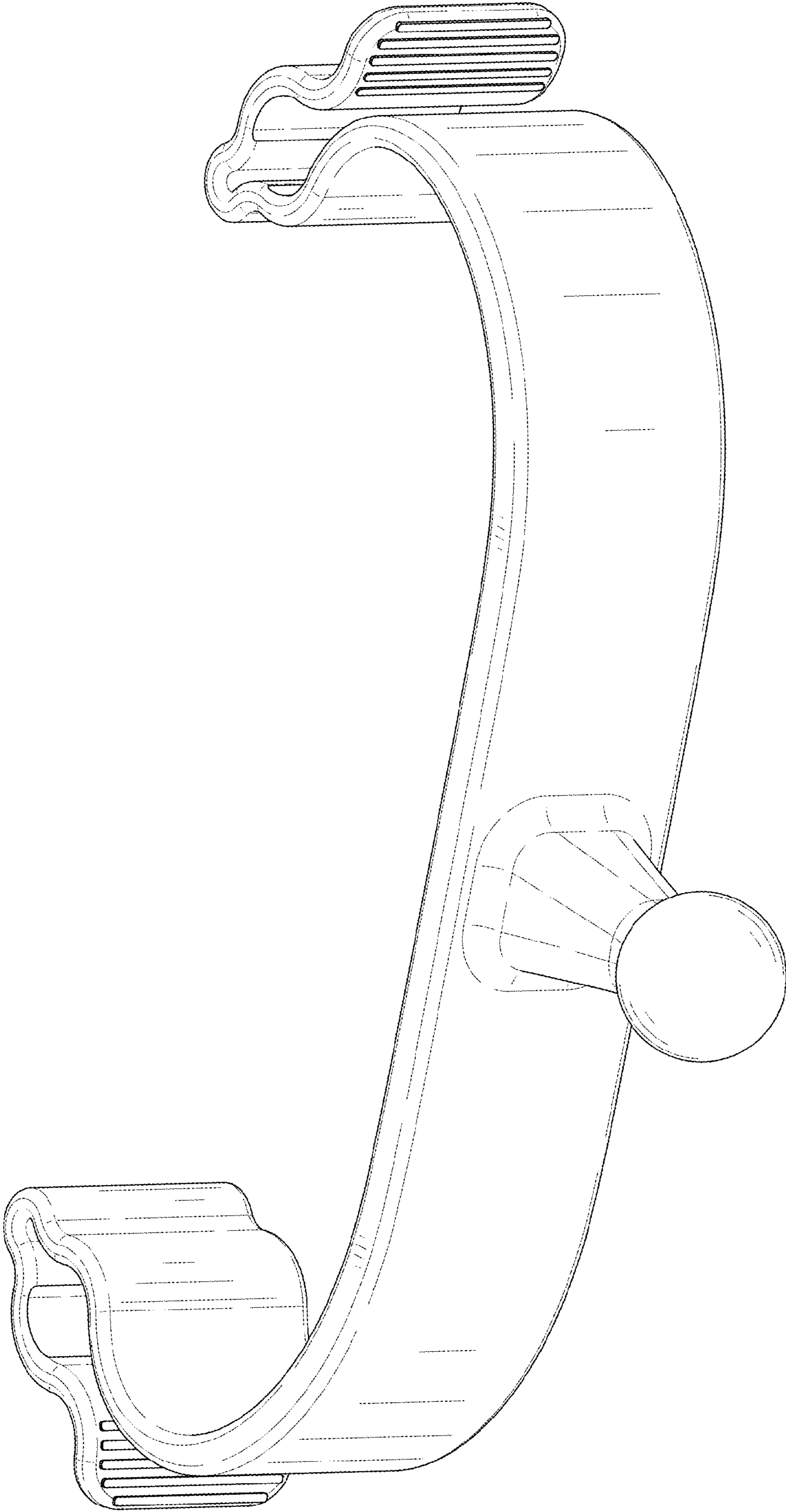


FIG. 1

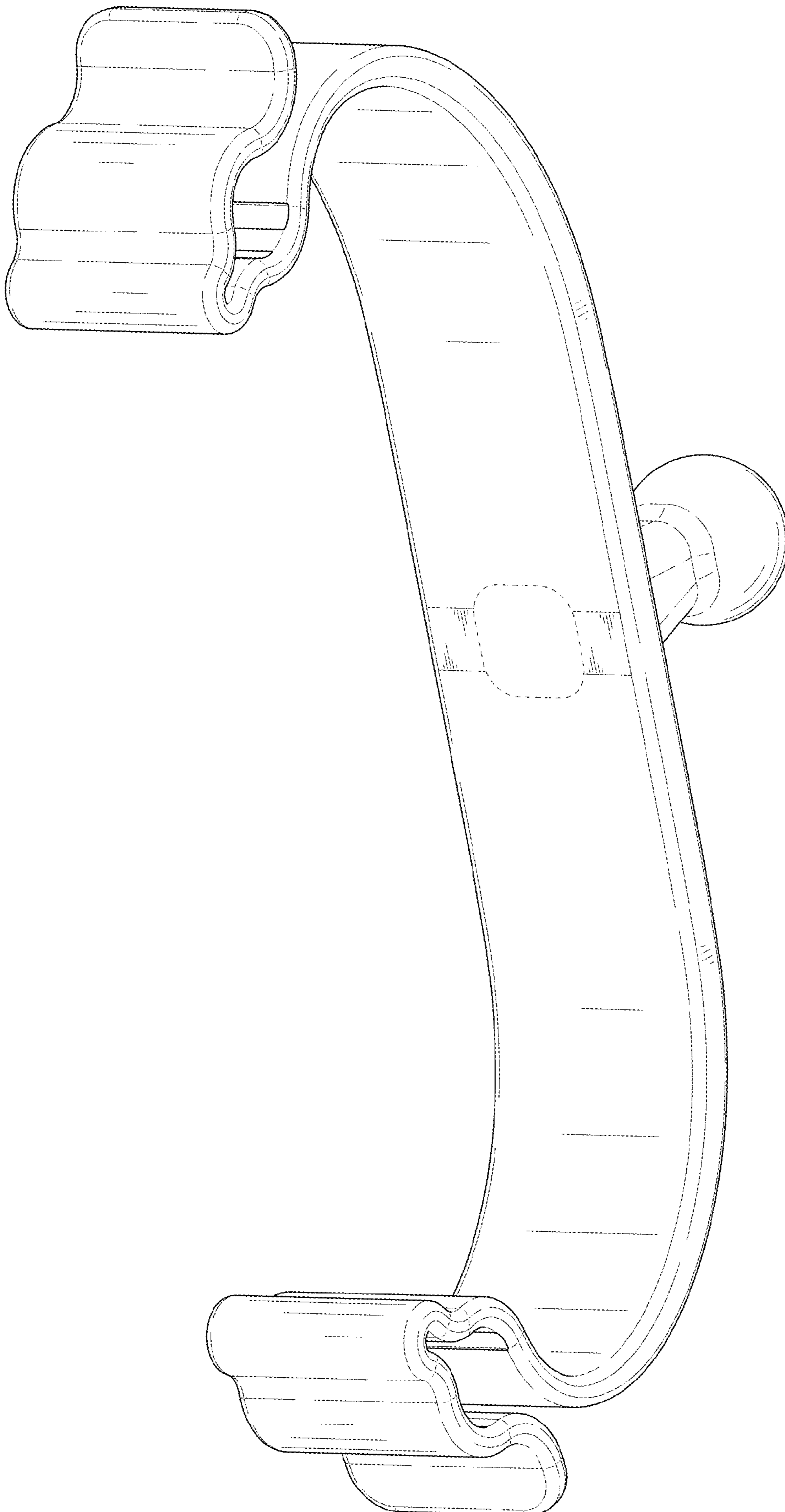


FIG. 2

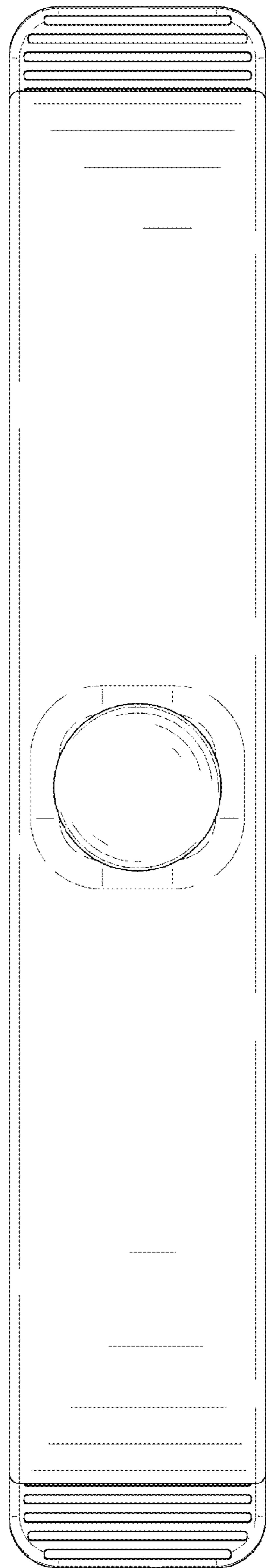


FIG. 3

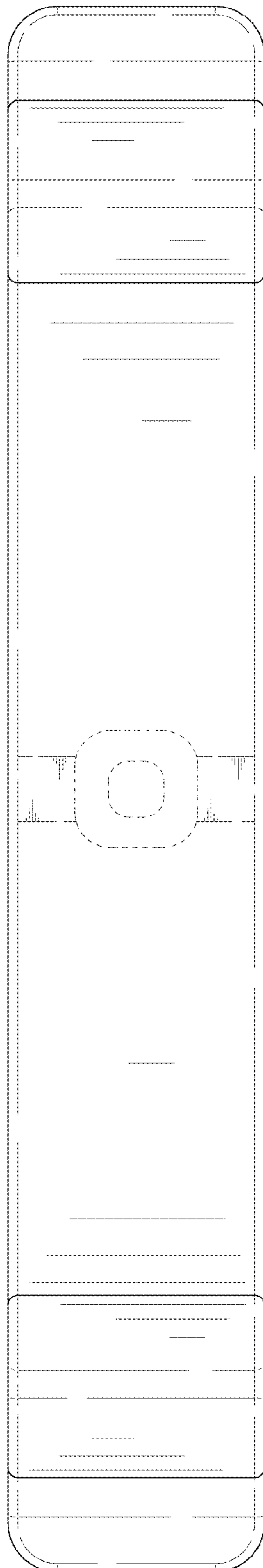


FIG. 4

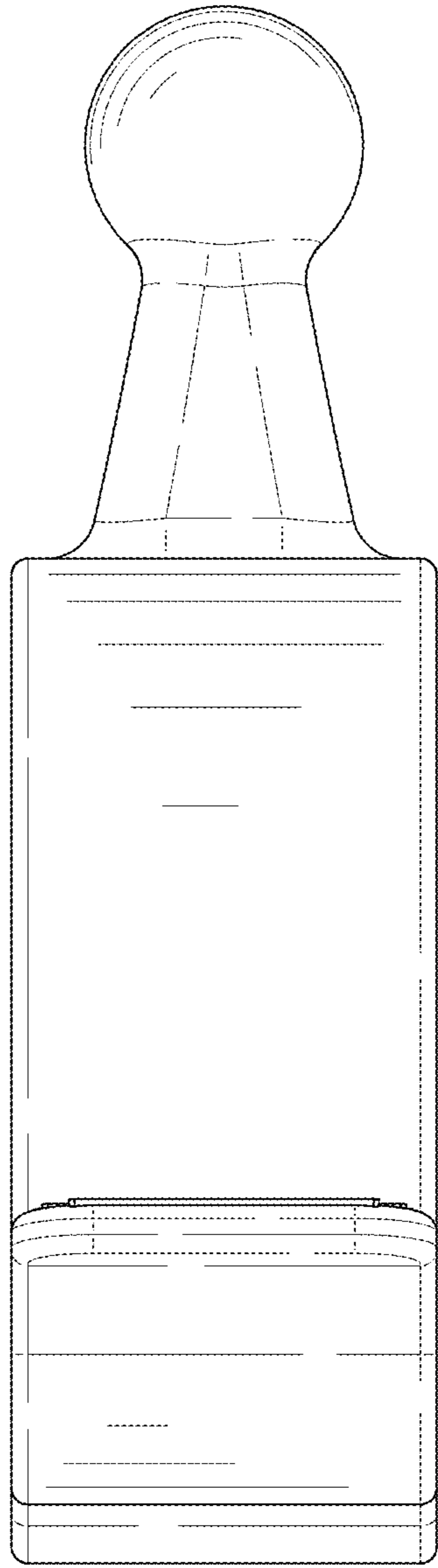


FIG. 5

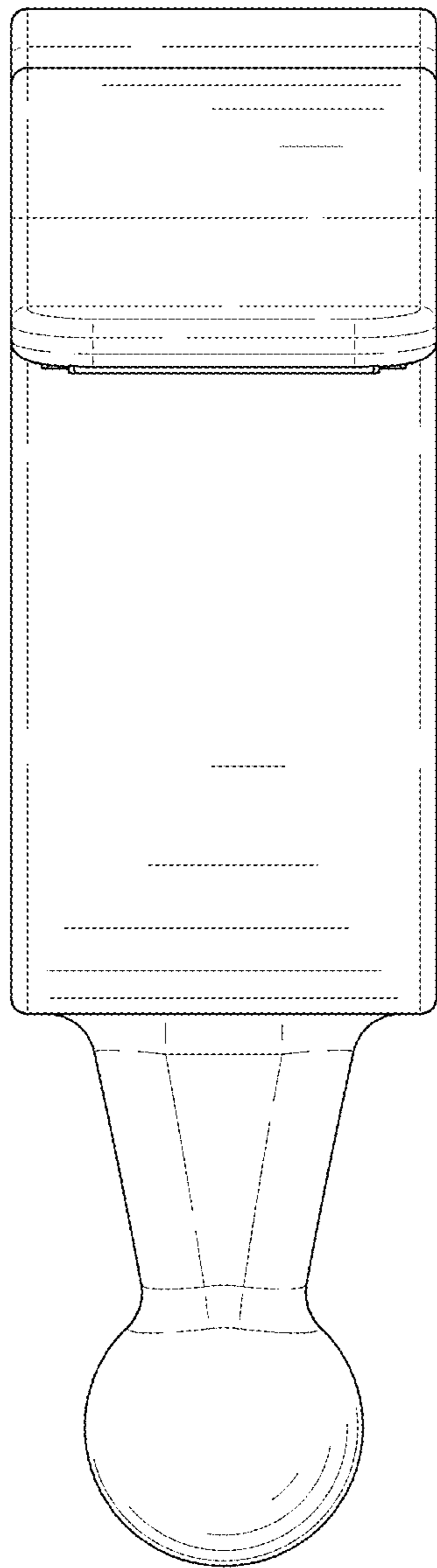
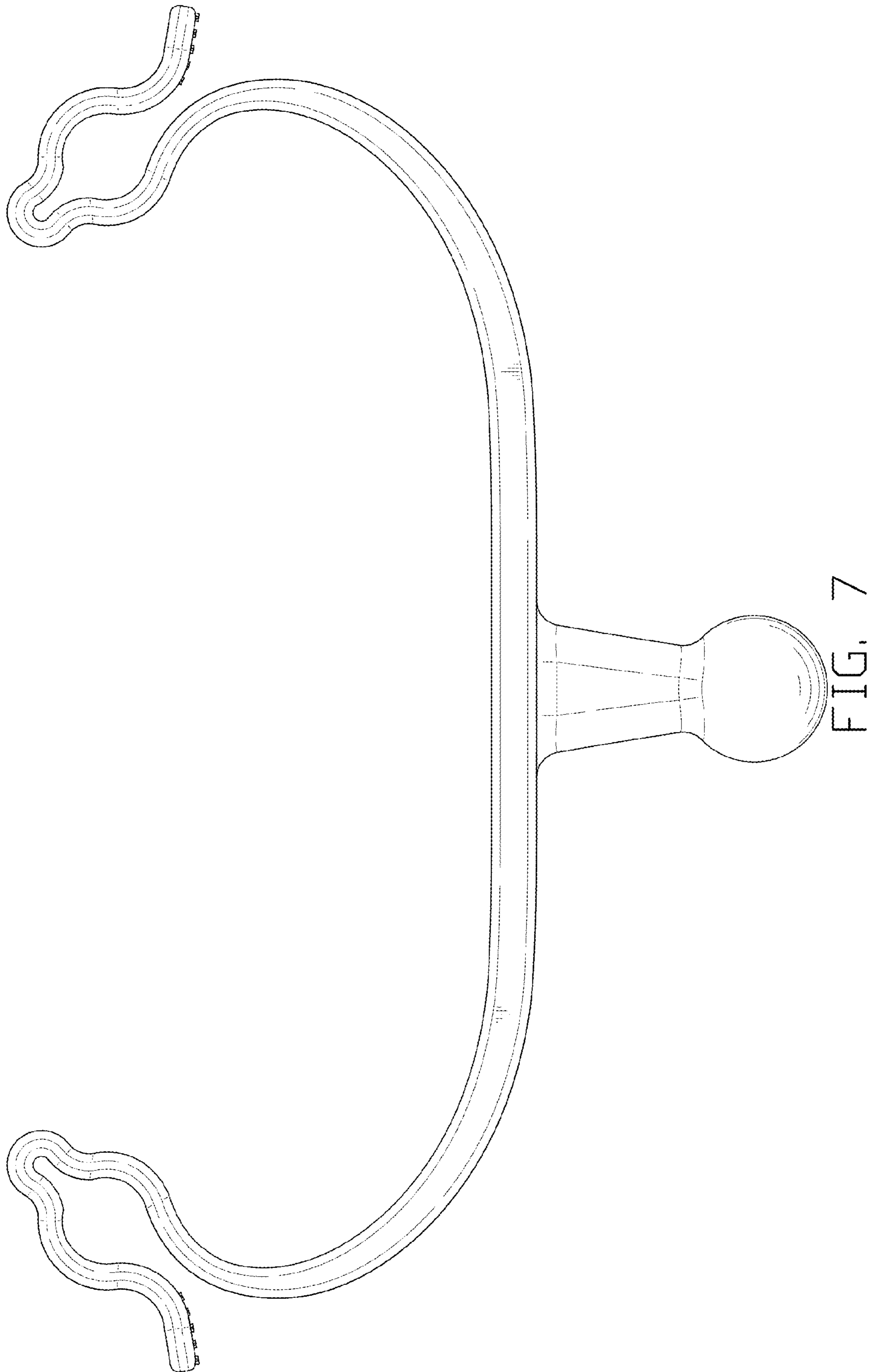


FIG. 6



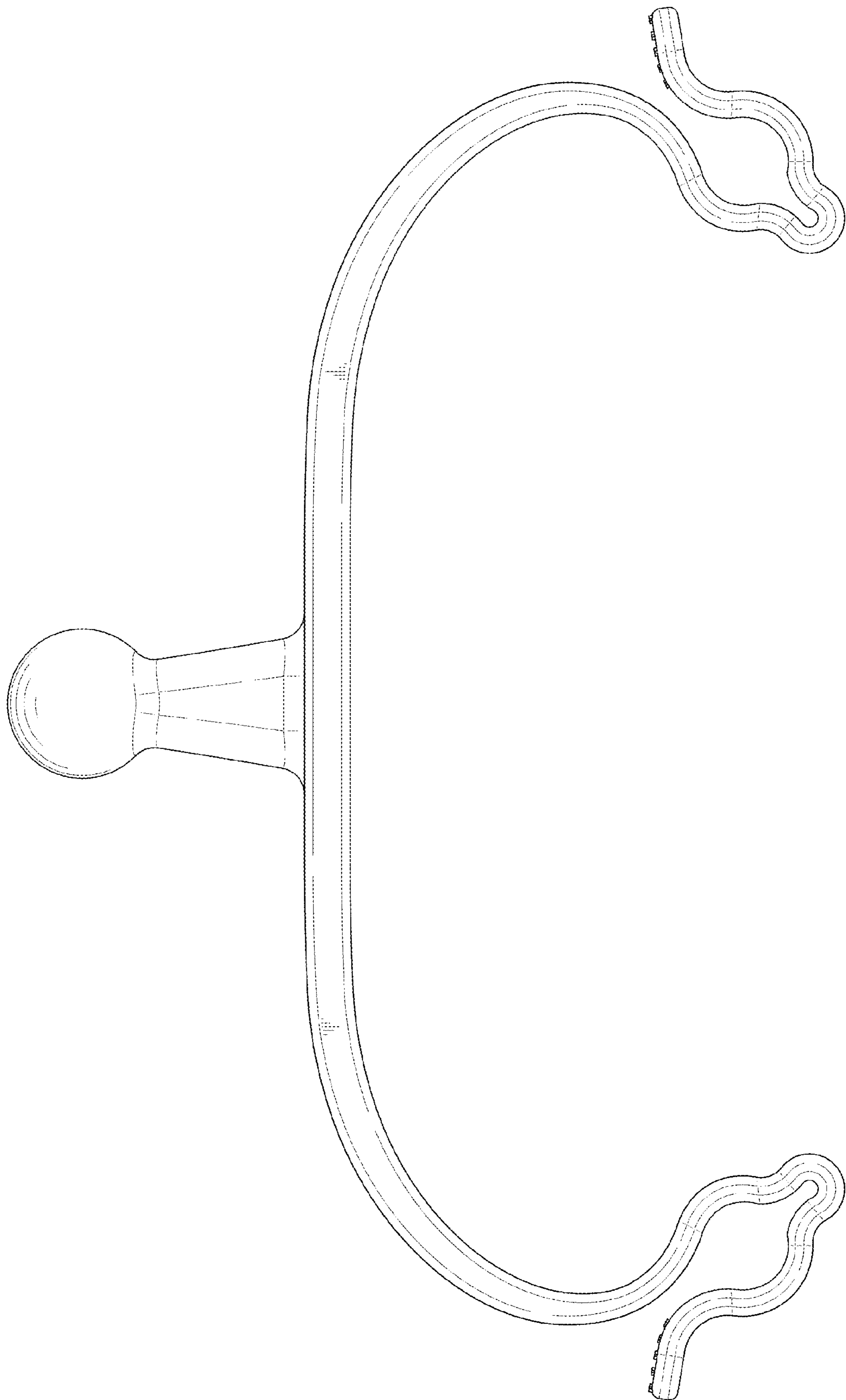


FIG. 8

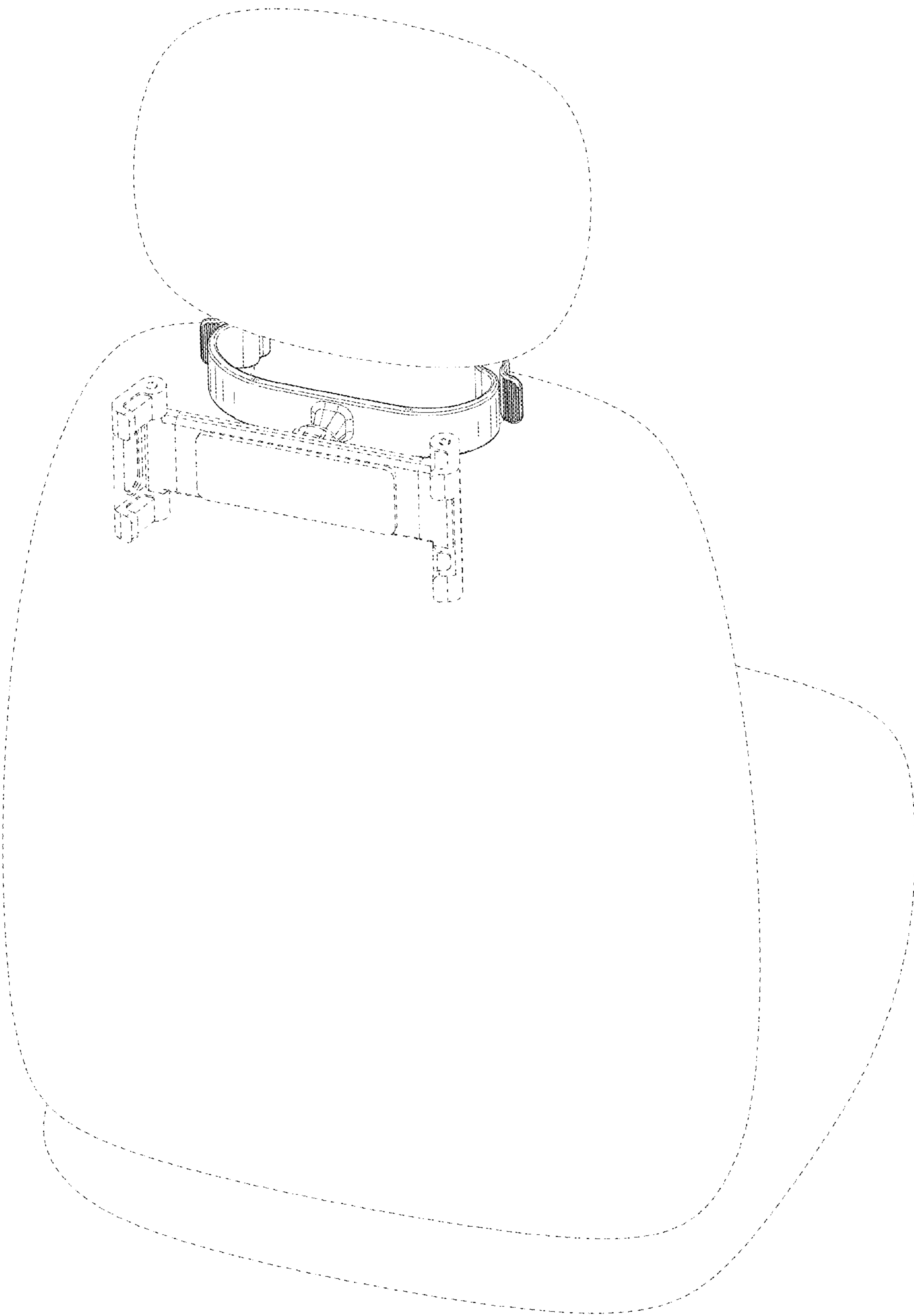


FIG. 9

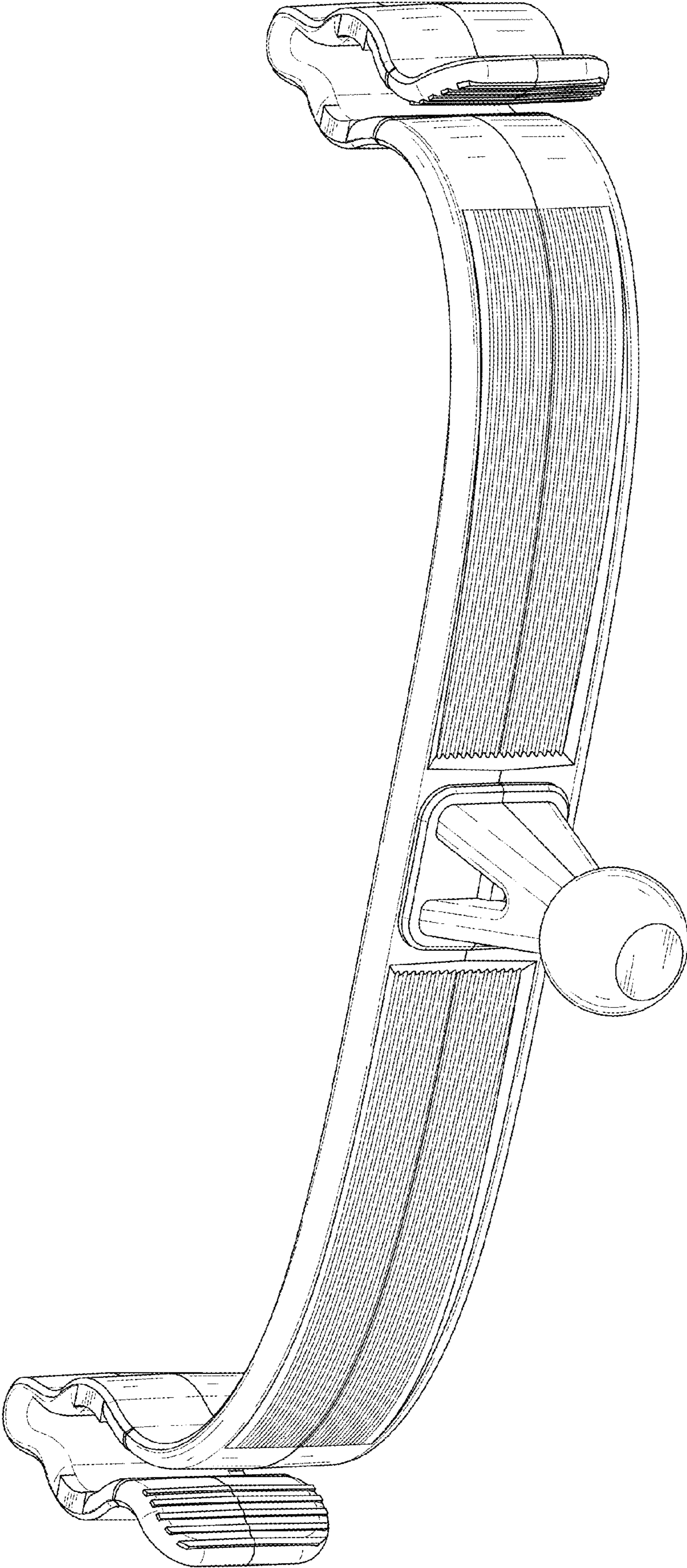


FIG. 10

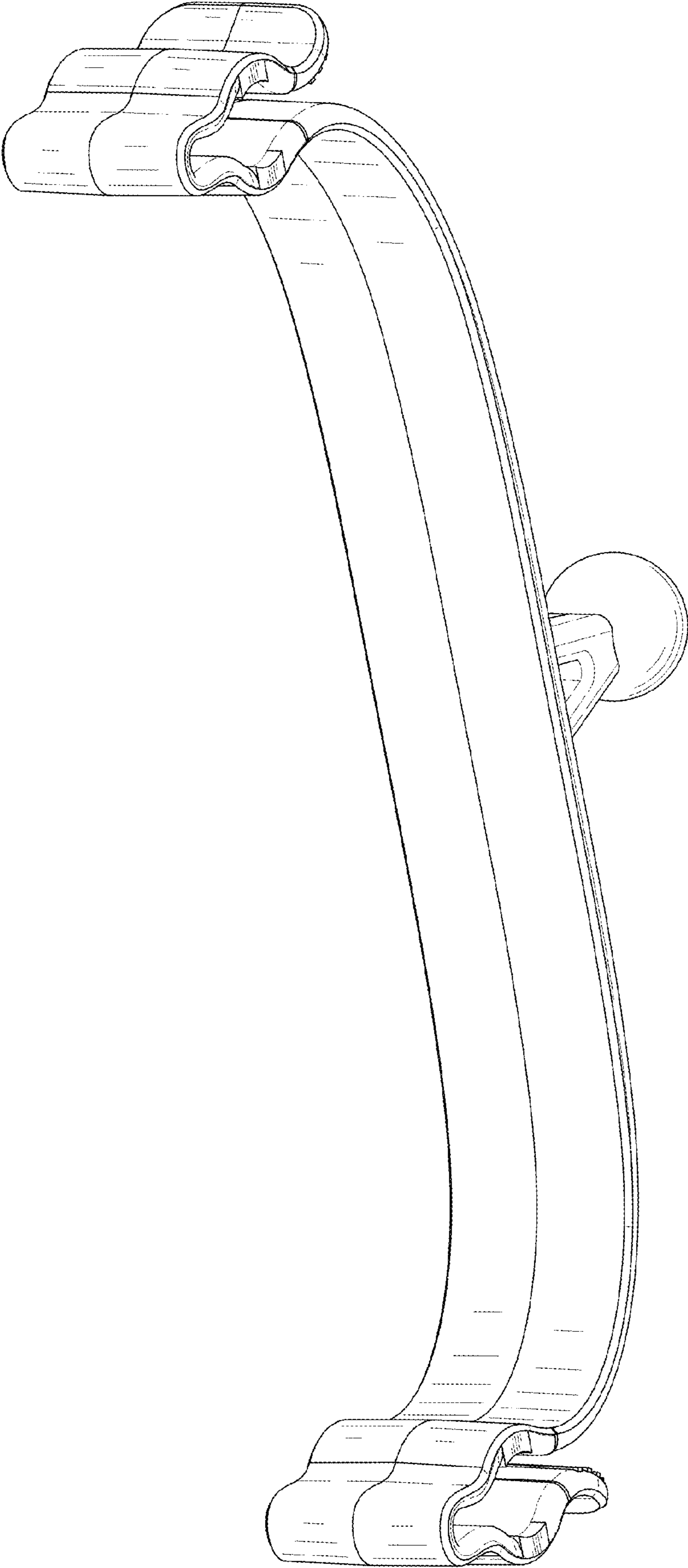


FIG. 11

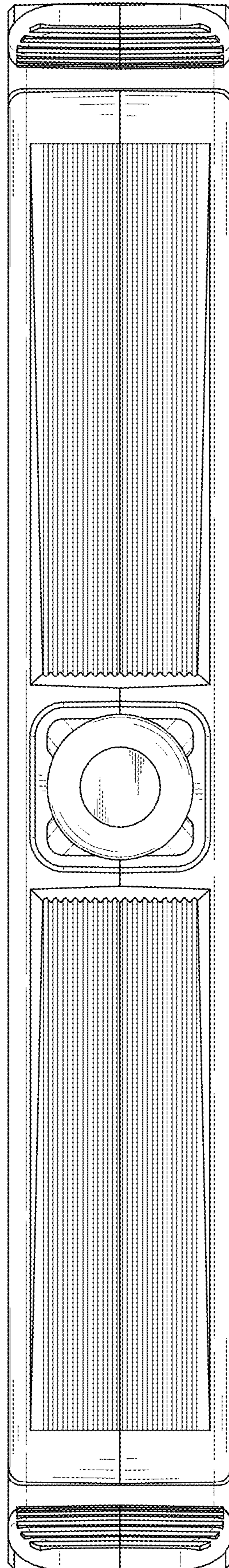


FIG. 12

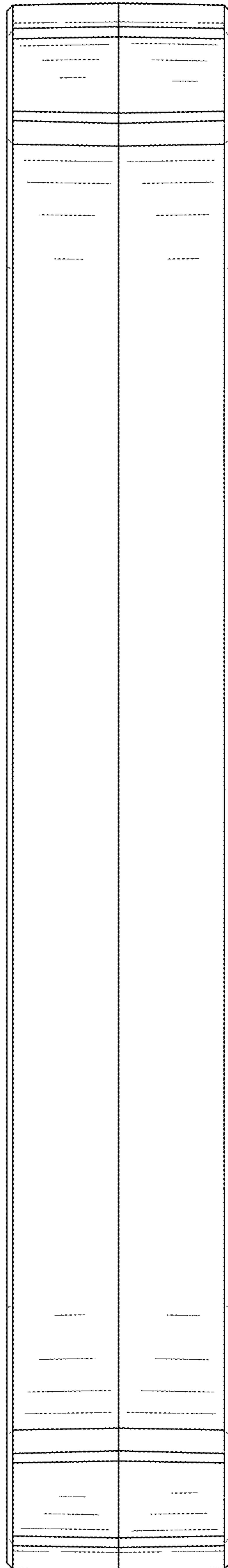


FIG. 13

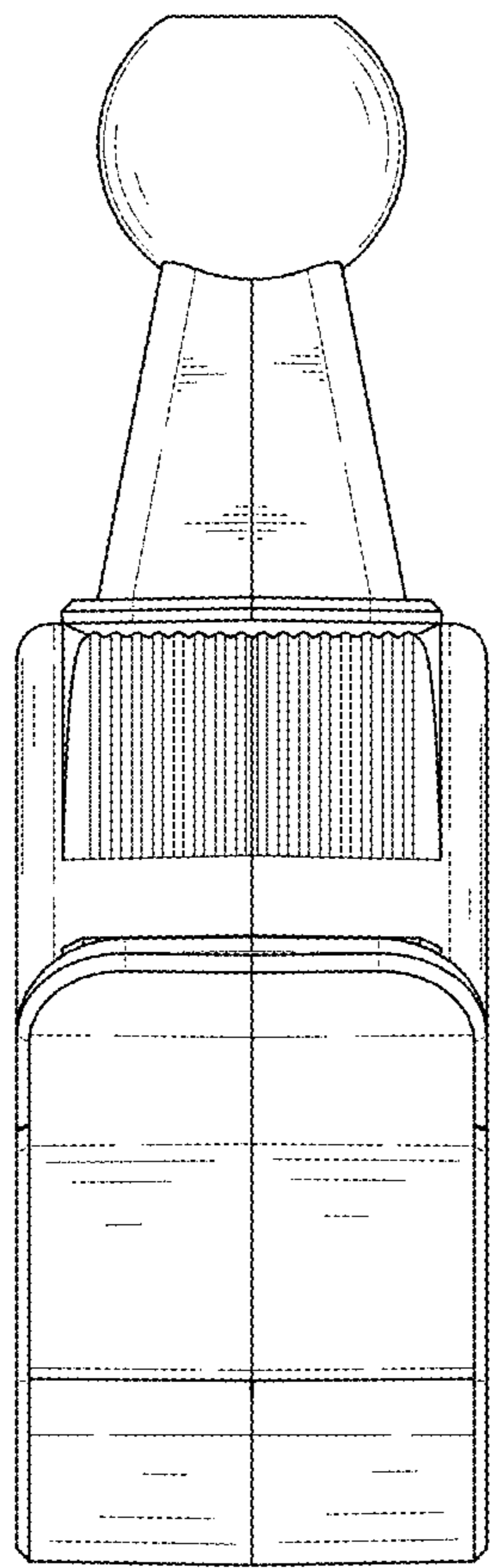


FIG. 14

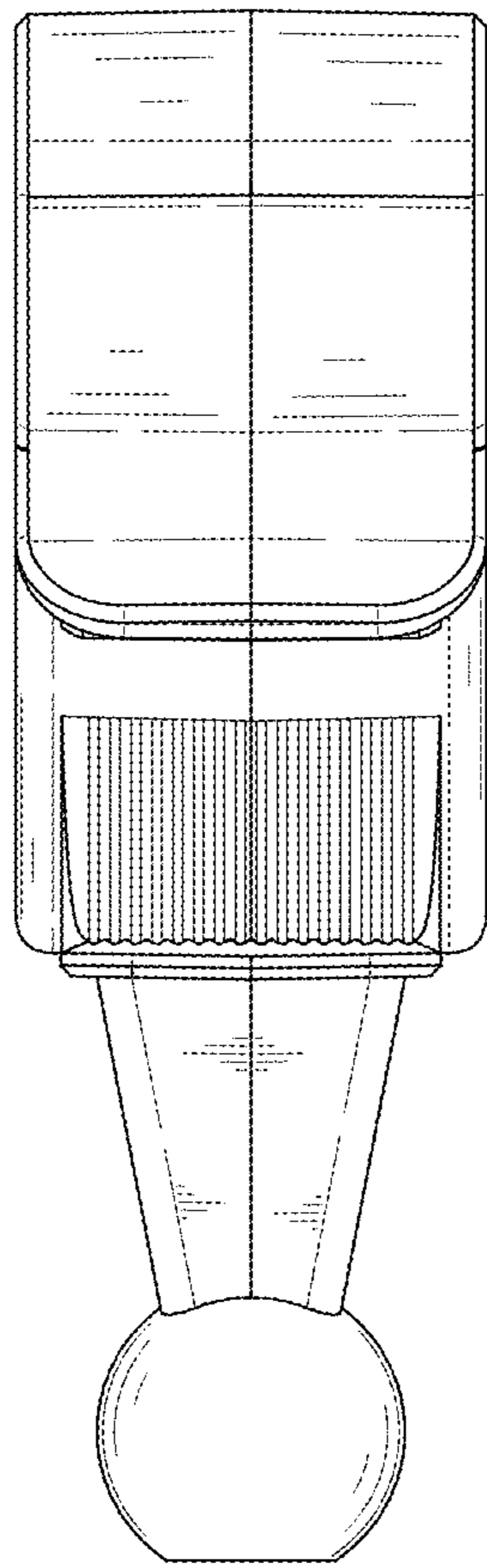


FIG. 15

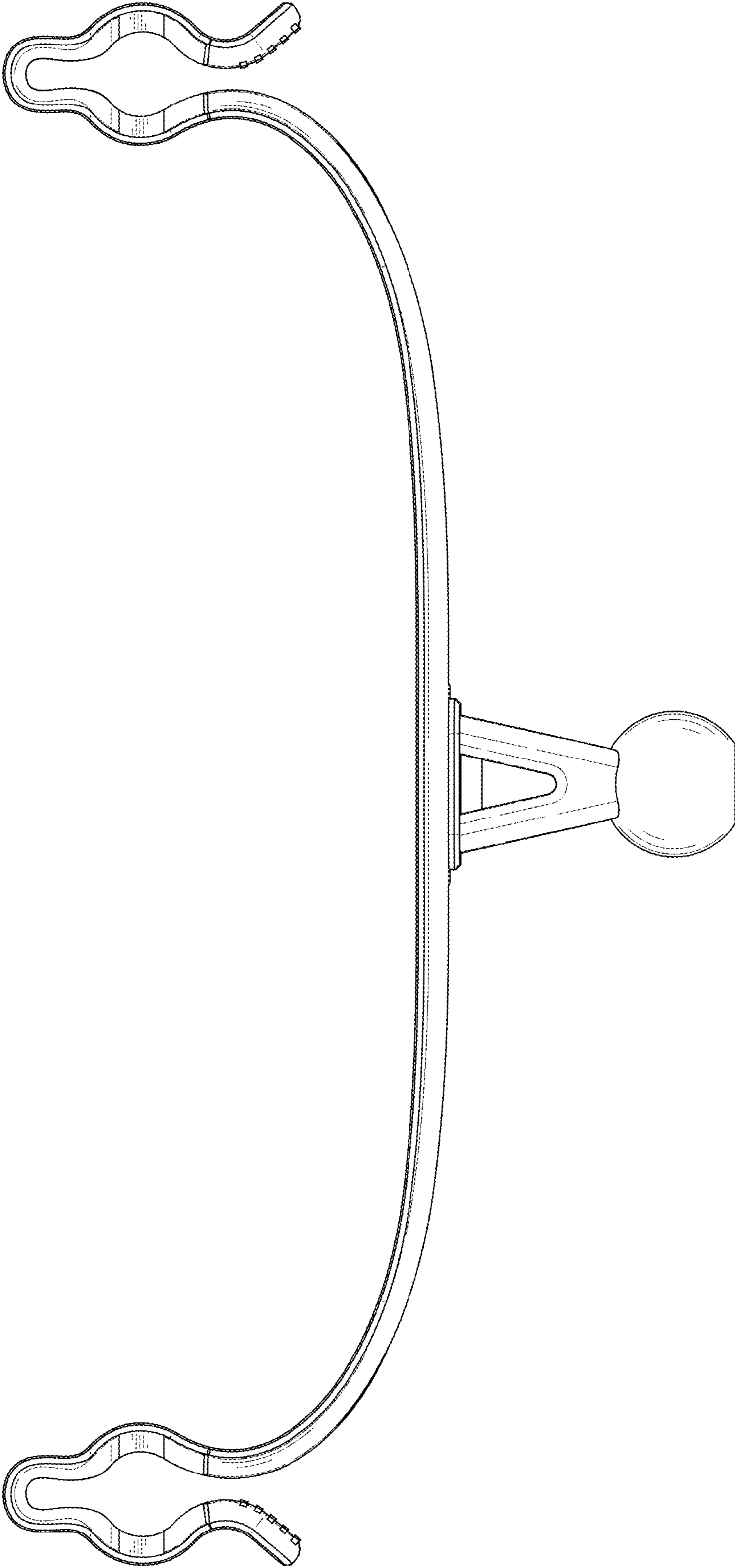


FIG. 16

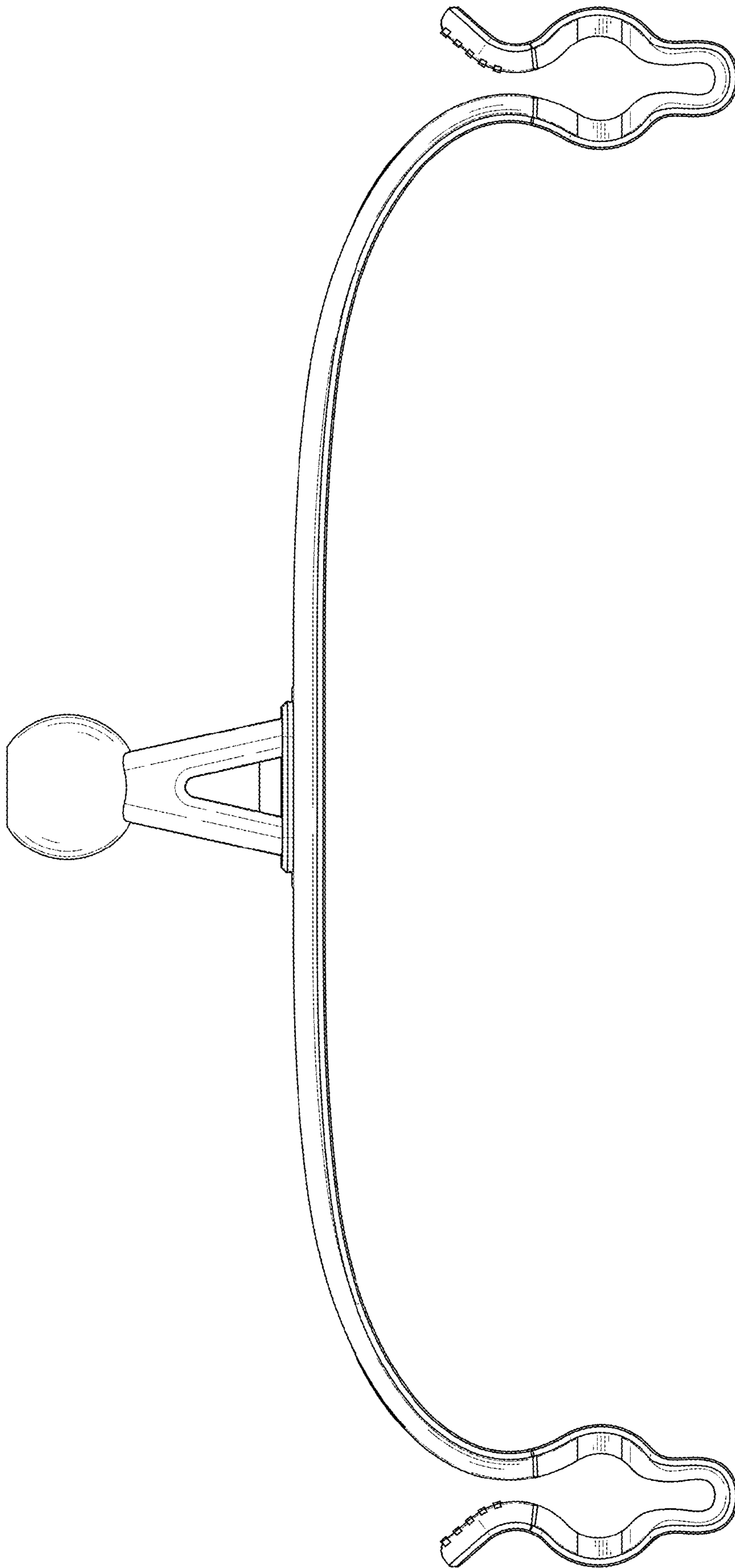


FIG. 17

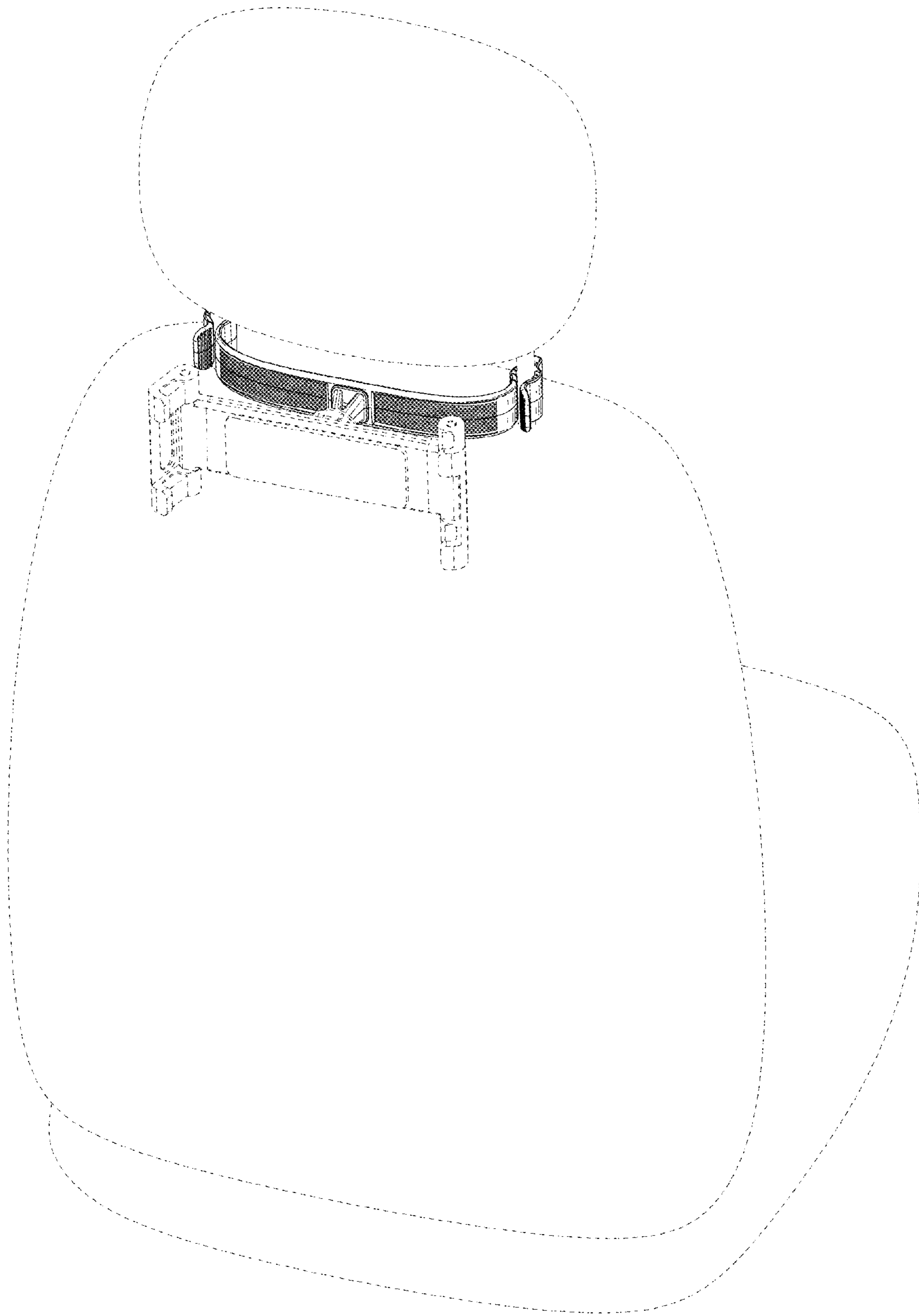


FIG. 18