



US00D985368S

(12) **United States Design Patent** (10) **Patent No.:** **US D985,368 S**
Chen (45) **Date of Patent:** **** May 9, 2023**

(54) **LAG SCREW TENSIONER**
(71) Applicant: **Mianlong Chen**, Xiamen (CN)
(72) Inventor: **Mianlong Chen**, Xiamen (CN)
(**) Term: **15 Years**
(21) Appl. No.: **29/786,841**
(22) Filed: **Jun. 3, 2021**
(51) **LOC (14) Cl.** **08-08**
(52) **U.S. Cl.**
USPC **D8/356; D8/387**
(58) **Field of Classification Search**
USPC D8/354, 355, 356, 382, 387, 44
CPC D07B 9/00; F16G 11/105; F16G 11/106;
F16G 11/025; F16G 11/04; F16B 2/065;
F16B 2/14
See application file for complete search history.

D531,014 S * 10/2006 Arakawa F16G 11/106
D8/383
D563,772 S * 3/2008 Durocher F16G 11/048
D8/356
D814,269 S * 4/2018 Veilleux F16G 11/042
D8/356
10,436,231 B2 * 10/2019 White F16G 11/025
11,018,481 B1 * 5/2021 Crompton H02G 1/081
11,391,344 B1 * 7/2022 Sargent D07B 9/00
2018/0030832 A1 * 2/2018 Abreu E21D 21/008
2020/0002947 A1 * 1/2020 Hachisuka D07B 9/00
2021/0254340 A1 * 8/2021 Winistörfer F16G 11/042

* cited by examiner

Primary Examiner — Philip S Hyder
(74) *Attorney, Agent, or Firm* — Bayramoglu Law Offices LLC

(57) **CLAIM**

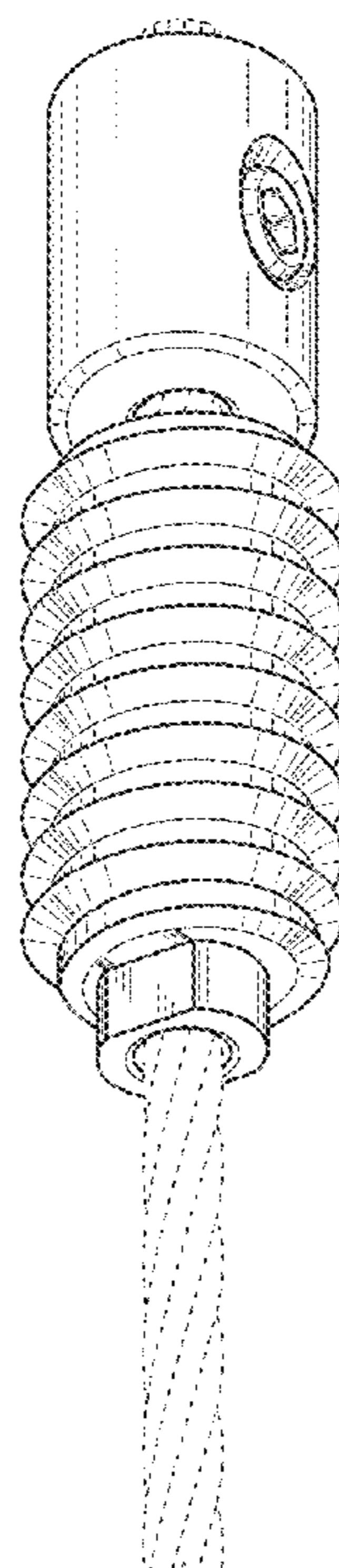
The ornamental design for a lag screw tensioner, as shown and described.

DESCRIPTION

FIG. 1 is a bottom perspective view of a lag screw tensioner showing my new design;
FIG. 2 is a front view thereof;
FIG. 3 is a rear view thereof;
FIG. 4 is a right side view thereof;
FIG. 5 is a left side view thereof;
FIG. 6 is a top view thereof;
FIG. 7 is a bottom view thereof; and,
FIG. 8 is a top perspective view thereof.
The broken line showings of the cable are provided for purposes of environment and form no part of the claimed design.

(56) **References Cited**
U.S. PATENT DOCUMENTS
3,852,850 A * 12/1974 Filhaber F16G 11/048
24/115 M
3,952,377 A * 4/1976 Morell E04C 5/122
403/374.2
5,015,023 A * 5/1991 Hall F16G 11/048
294/102.1
5,369,849 A * 12/1994 De France F16G 11/048
24/115 M
D423,913 S * 5/2000 Dougan, Jr. F16G 11/025
D8/356
7,043,801 B2 * 5/2006 Toimil F16G 11/106
24/136 R

1 Claim, 8 Drawing Sheets



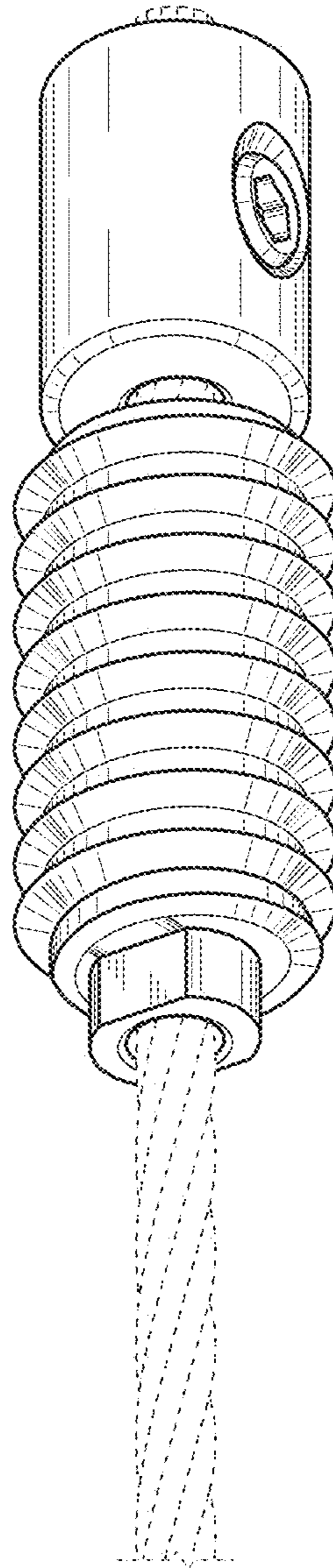


Fig. 1

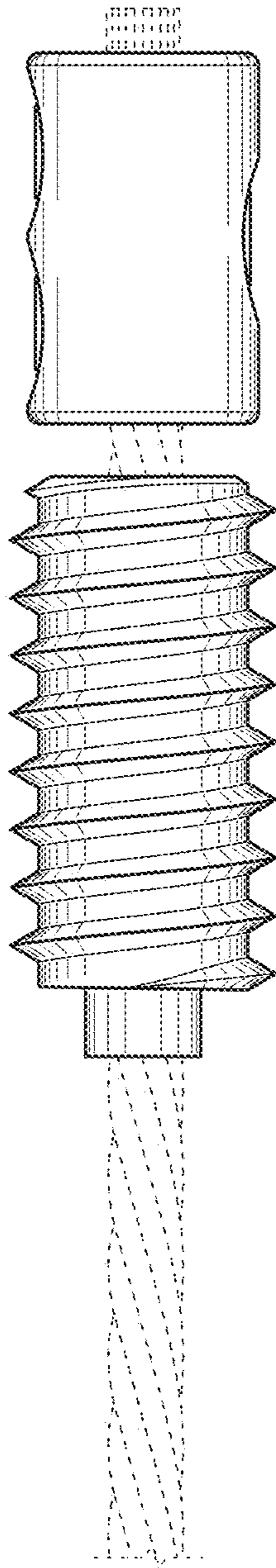


Fig. 2

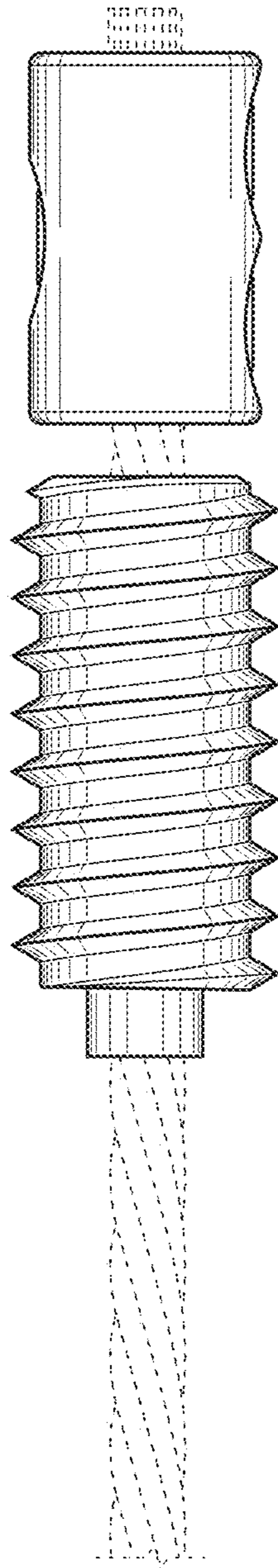


Fig. 3

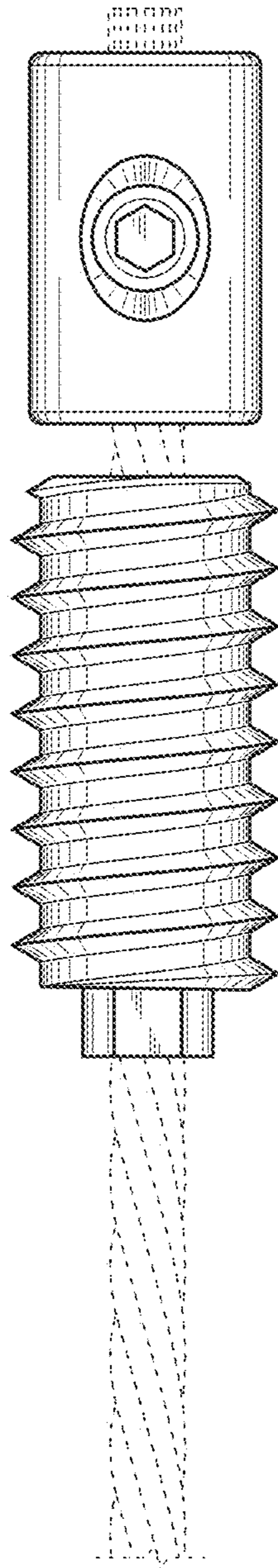


Fig. 4

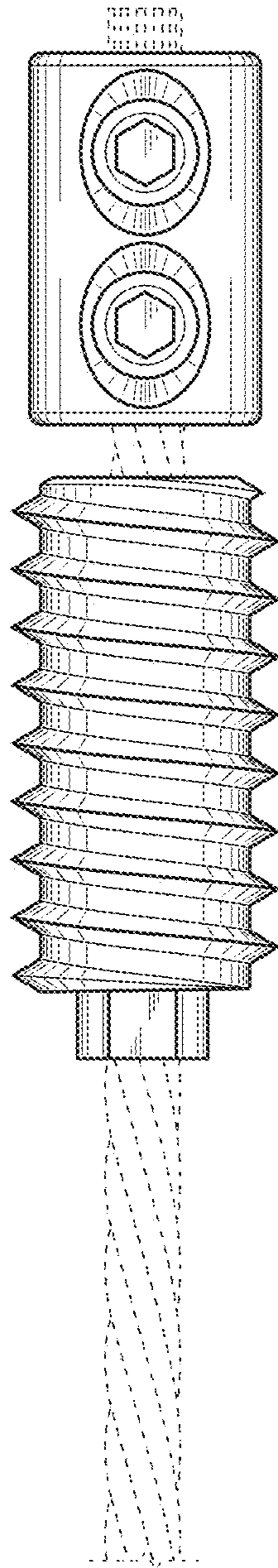


Fig. 5

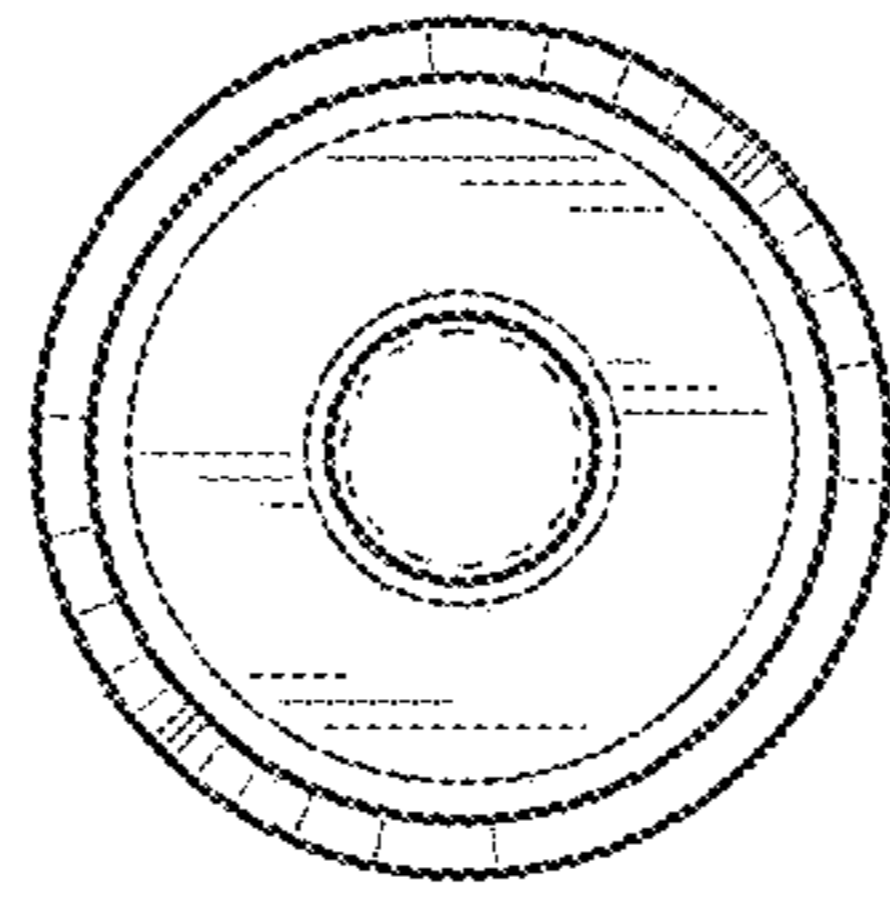


Fig. 6

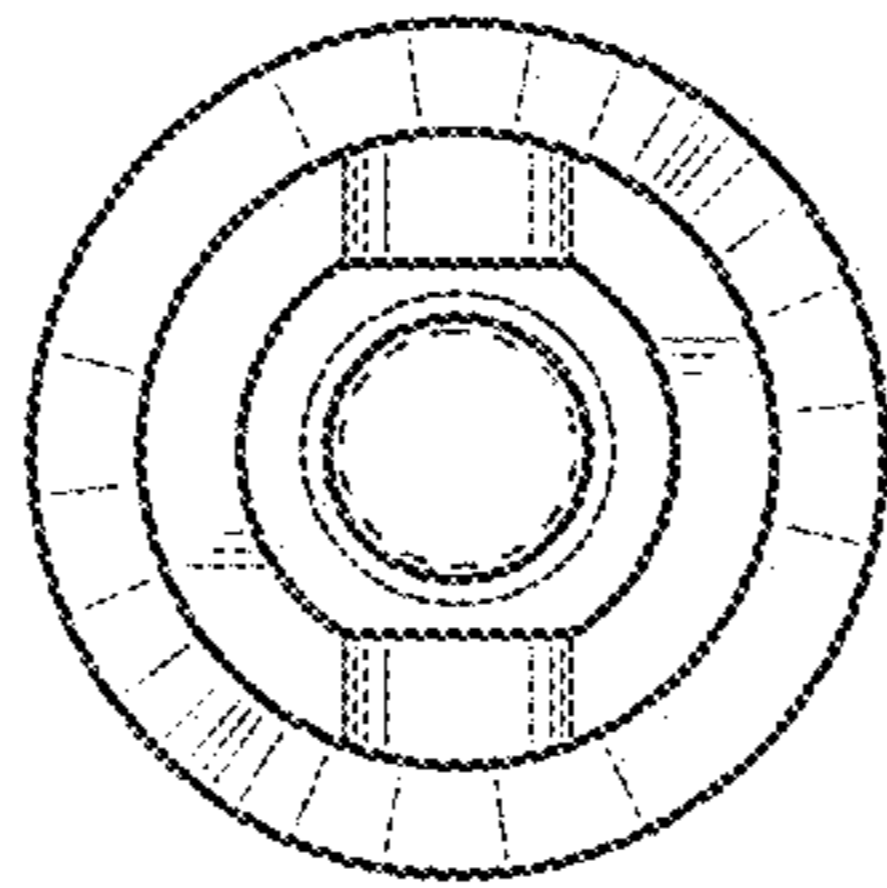


Fig. 7

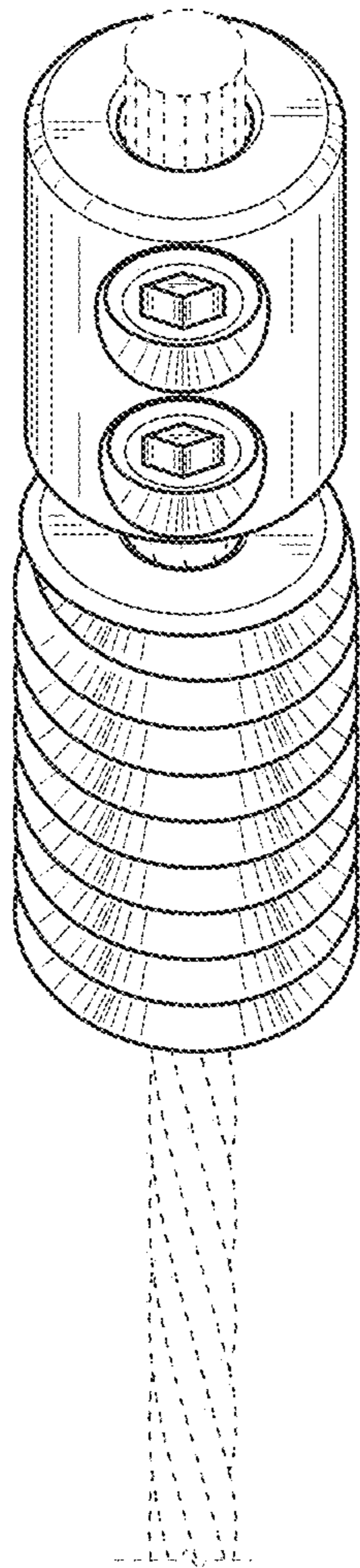


Fig. 8