



US00D985366S

(12) **United States Design Patent** (10) **Patent No.:** **US D985,366 S**
Alfakhrany (45) **Date of Patent:** **** May 9, 2023**

(54) **MOUNTING BRACKET**

(71) Applicant: **Rhino Rack Australia Pty Limited**,
New South Wales (AU)

(72) Inventor: **Tarek Alfakhrany**, New South Wales
(AU)

(73) Assignee: **RHINO RACK AUSTRALIA PTY LIMITED**, Eastern Creek (AU)

(**) Term: **15 Years**

(21) Appl. No.: **29/796,411**

(22) Filed: **Jun. 24, 2021**

(30) **Foreign Application Priority Data**

Dec. 24, 2020 (AU) 202017156

(51) **LOC (14) Cl.** **08-05**

(52) **U.S. Cl.**
USPC **D8/354**

(58) **Field of Classification Search**
USPC D8/354, 358, 363, 366, 373, 375, 379,
D8/382, 400-402, 404, 499, 46, 300,
D8/321-322, 383-384, 387, 397, 399,
D8/356, 364-365, 374, 376-377,
D8/380-381; D12/223, 414, 400, 406;
D25/61, 102, 119-122, 133, 138, 140,
D25/164, 199

CPC E04C 5/201; E04C 5/168; E04C 5/203;
E04C 5/205; A47B 1/10; A47B 21/03

See application file for complete search history.

(56) **References Cited**

U.S. PATENT DOCUMENTS

D367,477 S * 2/1996 Rosen D14/452
D370,402 S * 6/1996 Anand D8/354
D387,784 S * 12/1997 Nakamura D14/224
D393,789 S * 4/1998 King, Jr. D8/71

D400,081 S * 10/1998 Ibaragi D8/354
D419,854 S * 2/2000 Brousseau D8/354
D585,356 S * 1/2009 Gillan D12/223
D617,176 S * 6/2010 Confer D34/35
D621,244 S * 8/2010 Kundinger, Jr. D8/381
D627,624 S * 11/2010 Brassard D8/363
D647,388 S * 10/2011 Mercer D8/363
D670,157 S * 11/2012 Mo D8/363
D806,525 S * 1/2018 Honein D8/363
D818,994 S * 5/2018 Yun D14/224
D835,256 S * 12/2018 Hidalgo D23/411

(Continued)

OTHER PUBLICATIONS

Alfakhrany; Design U.S. Appl. No. 29/796,406; filed Jun. 24, 2021;
in the USPTO; entitled Mounting Bracket.

(Continued)

Primary Examiner — Karen S Acker
Assistant Examiner — Elizabeth S Ko

(74) *Attorney, Agent, or Firm* — Bill R. Naifeh

(57) **CLAIM**

I claim the ornamental design for a mounting bracket, as
substantially shown and described.

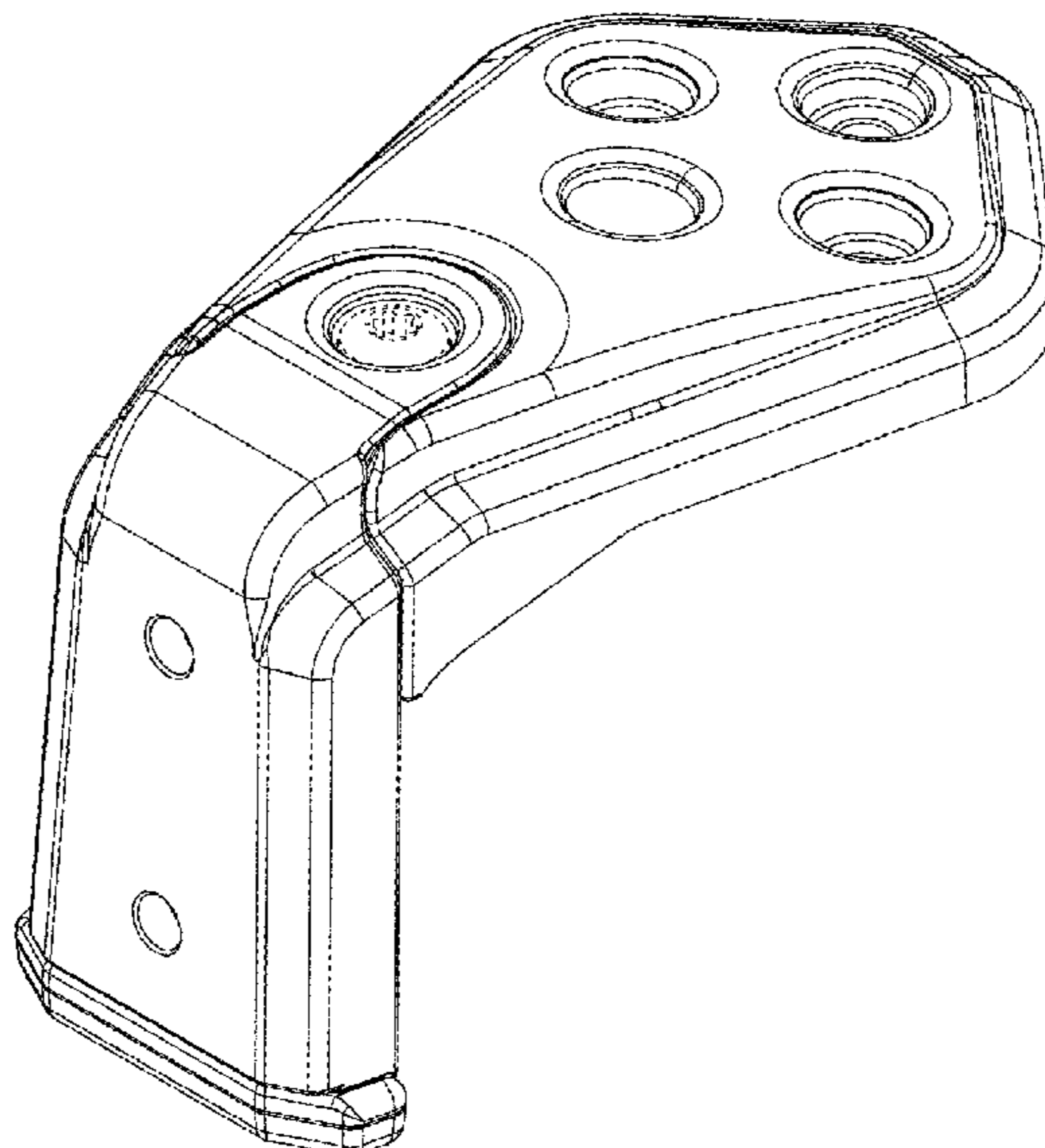
DESCRIPTION

FIG. 1 is an isometric view of a mounting bracket;
FIG. 2 is a left side view thereof;
FIG. 3 is a right side view thereof;
FIG. 4 is a top view thereof;
FIG. 5 is a bottom view thereof;
FIG. 6 is a front view thereof; and,
FIG. 7 is a rear view thereof.

The dashed lines in FIGS. 1 and 4 depict environment that
forms no part of the claimed design.

The broken lines and areas within them depict portions of
the mounting bracket that form no part of the claimed
design.

1 Claim, 4 Drawing Sheets



(56)

References Cited

U.S. PATENT DOCUMENTS

D880,278 S * 4/2020 Jaramillo D8/354
D893,285 S * 8/2020 Lagnese, Sr. D8/356
D902,014 S * 11/2020 Lagnese, Sr. D8/354
D931,712 S * 9/2021 Lagnese, Sr. D8/354
D932,875 S * 10/2021 Parrott D8/354
2021/0262536 A1 * 8/2021 Banks F16D 65/0056

OTHER PUBLICATIONS

Alfakhrany; Design U.S. Appl. No. 29/796,408; filed Jun. 24, 2021;
in the USPTO; entitled Mounting Bracket.

Notice of Allowance; dated Jan. 11, 2023; by the USPTO; re U.S.
Design U.S. Appl. No. 29/796,406.

Notice of Allowance; dated Jan. 11, 2023; by the USPTO; re U.S.
Design U.S. Appl. No. 29/796,408.

* cited by examiner

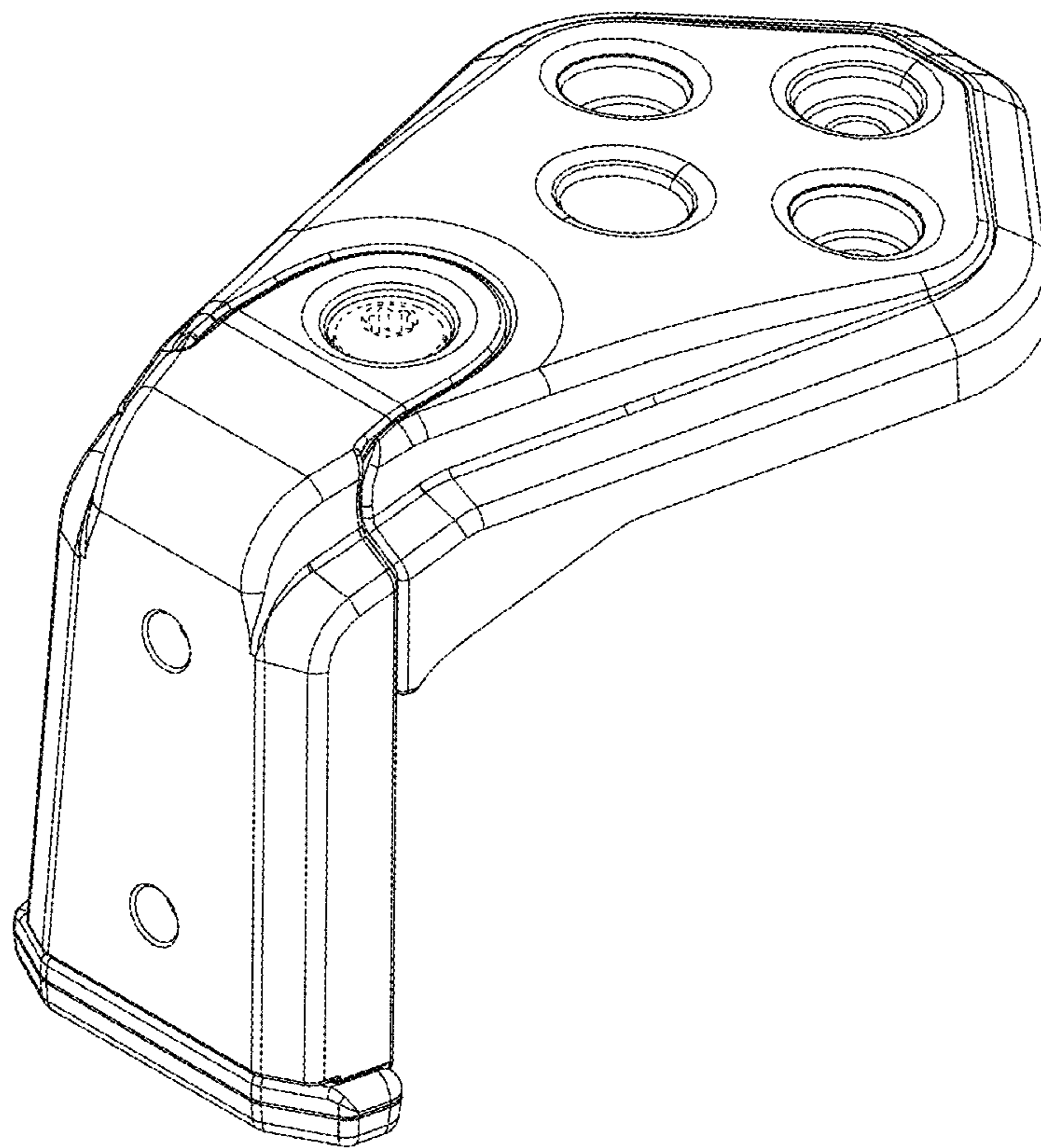


FIG. 1

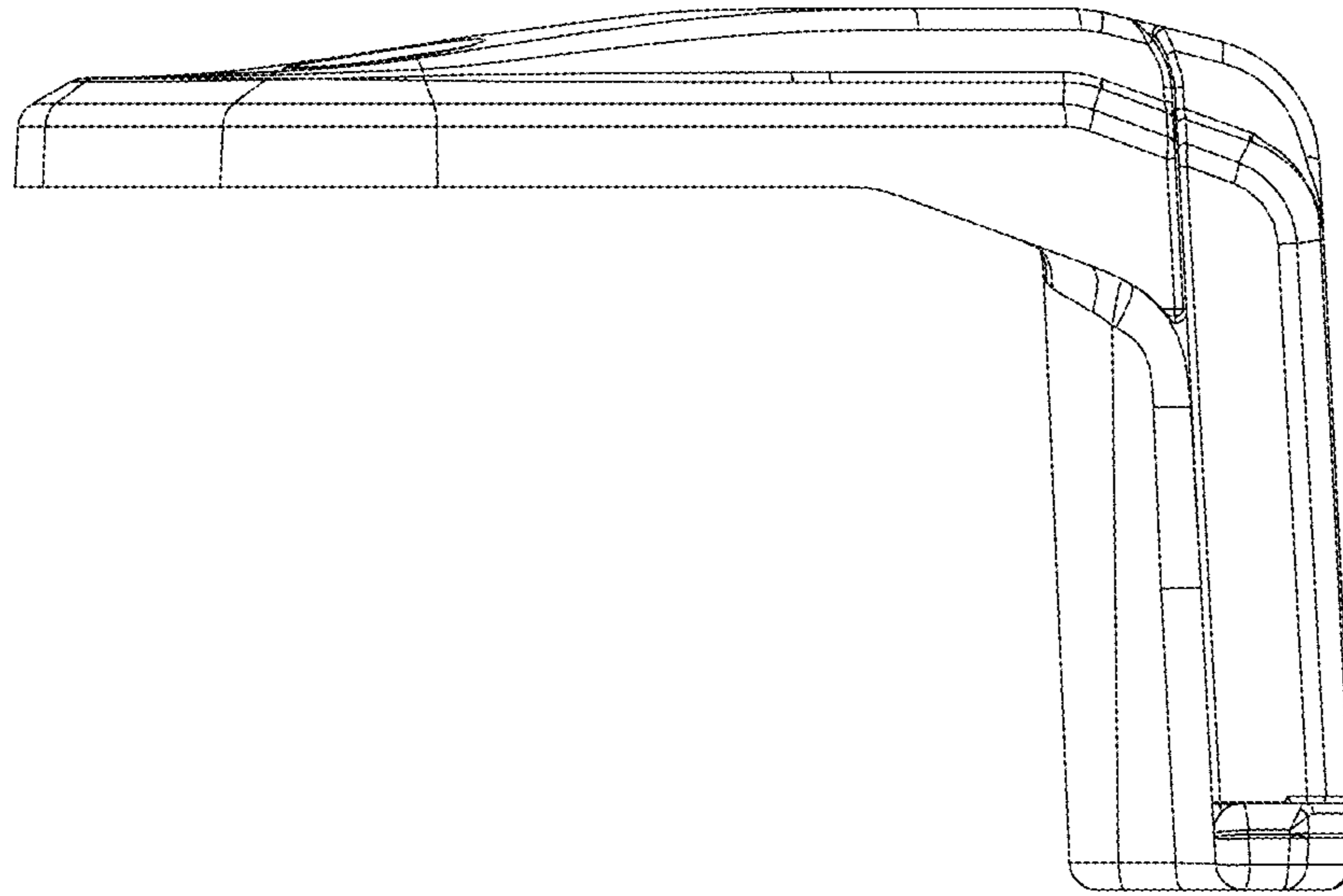


FIG. 2

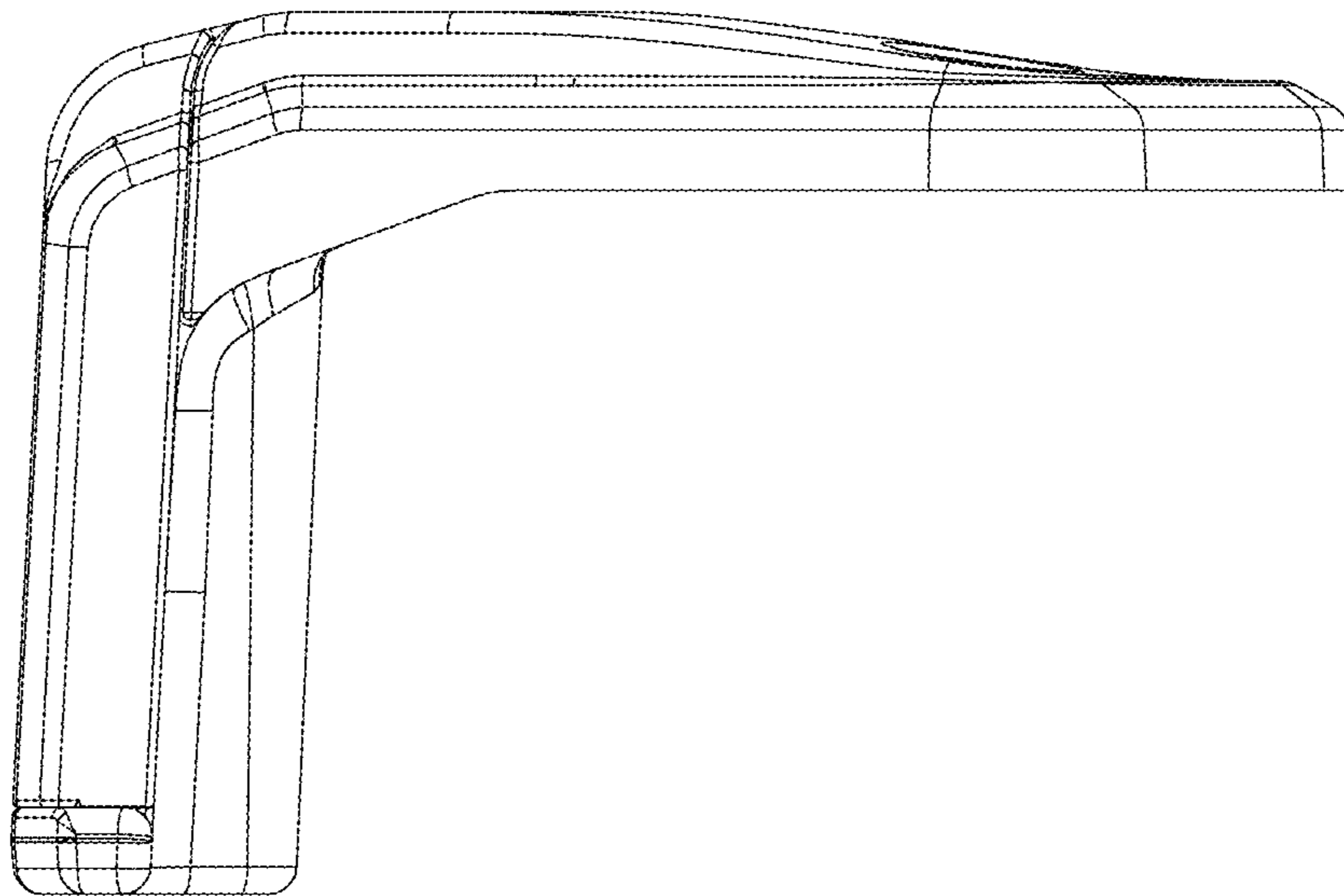


FIG. 3

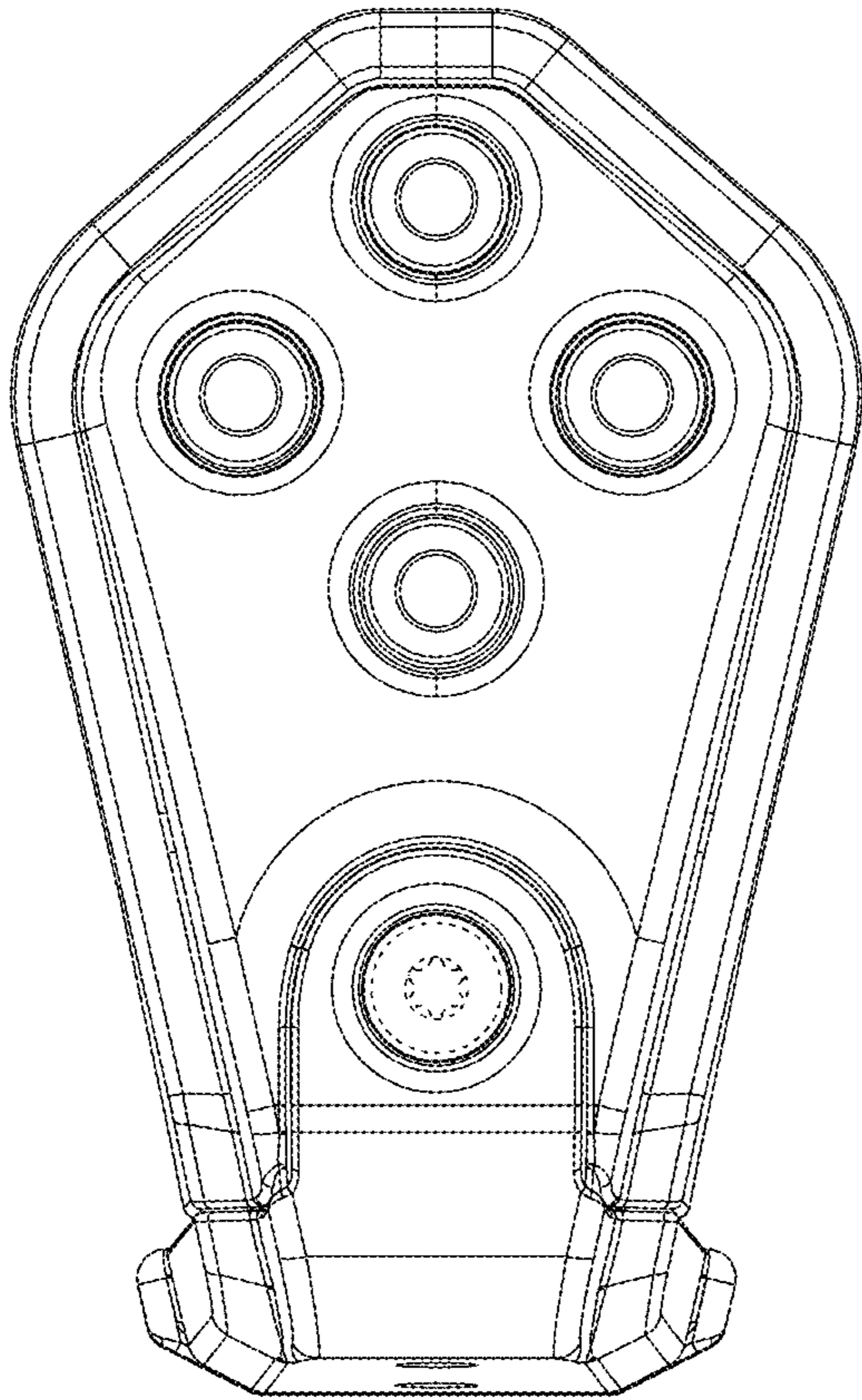


FIG. 4

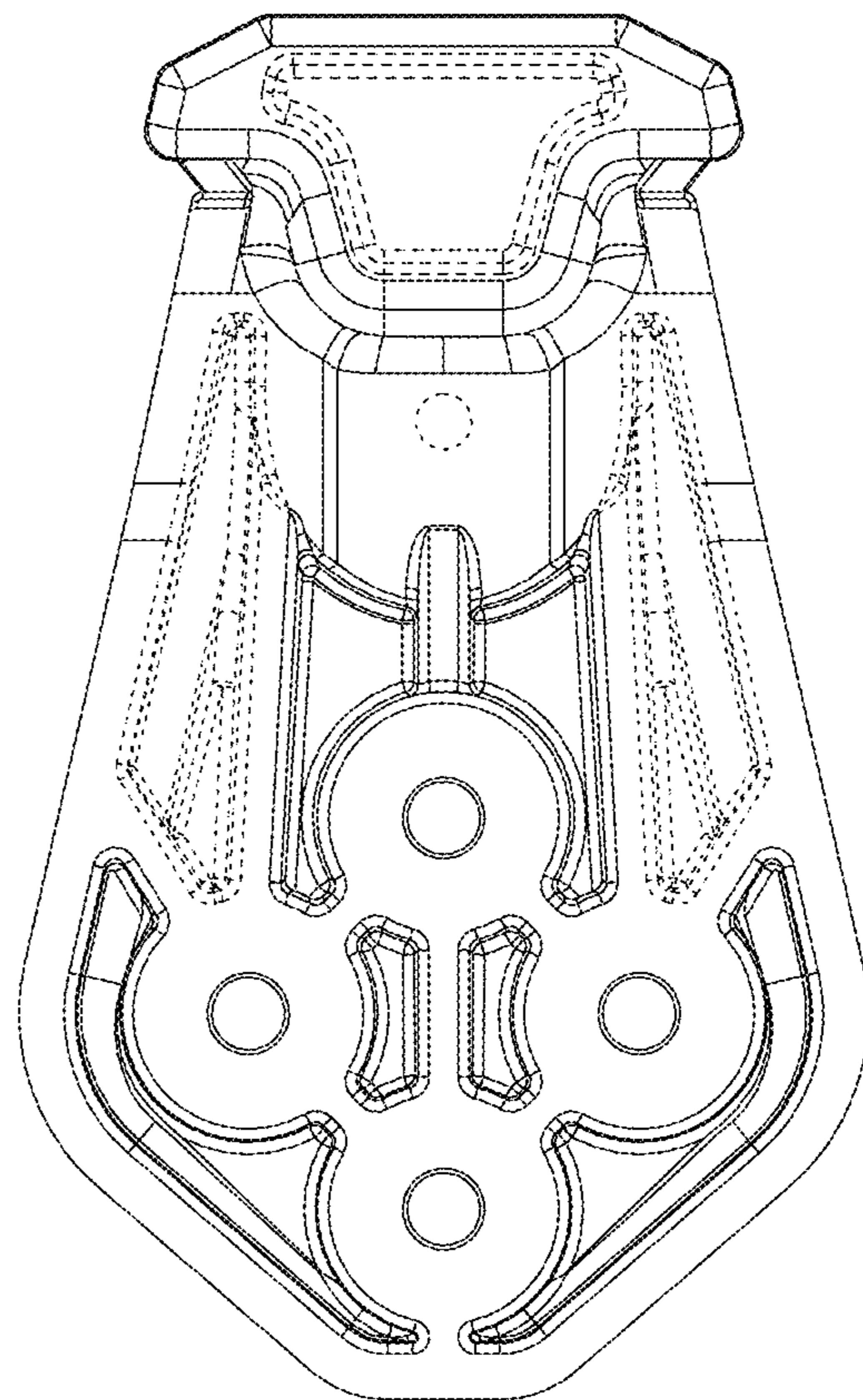


FIG. 5

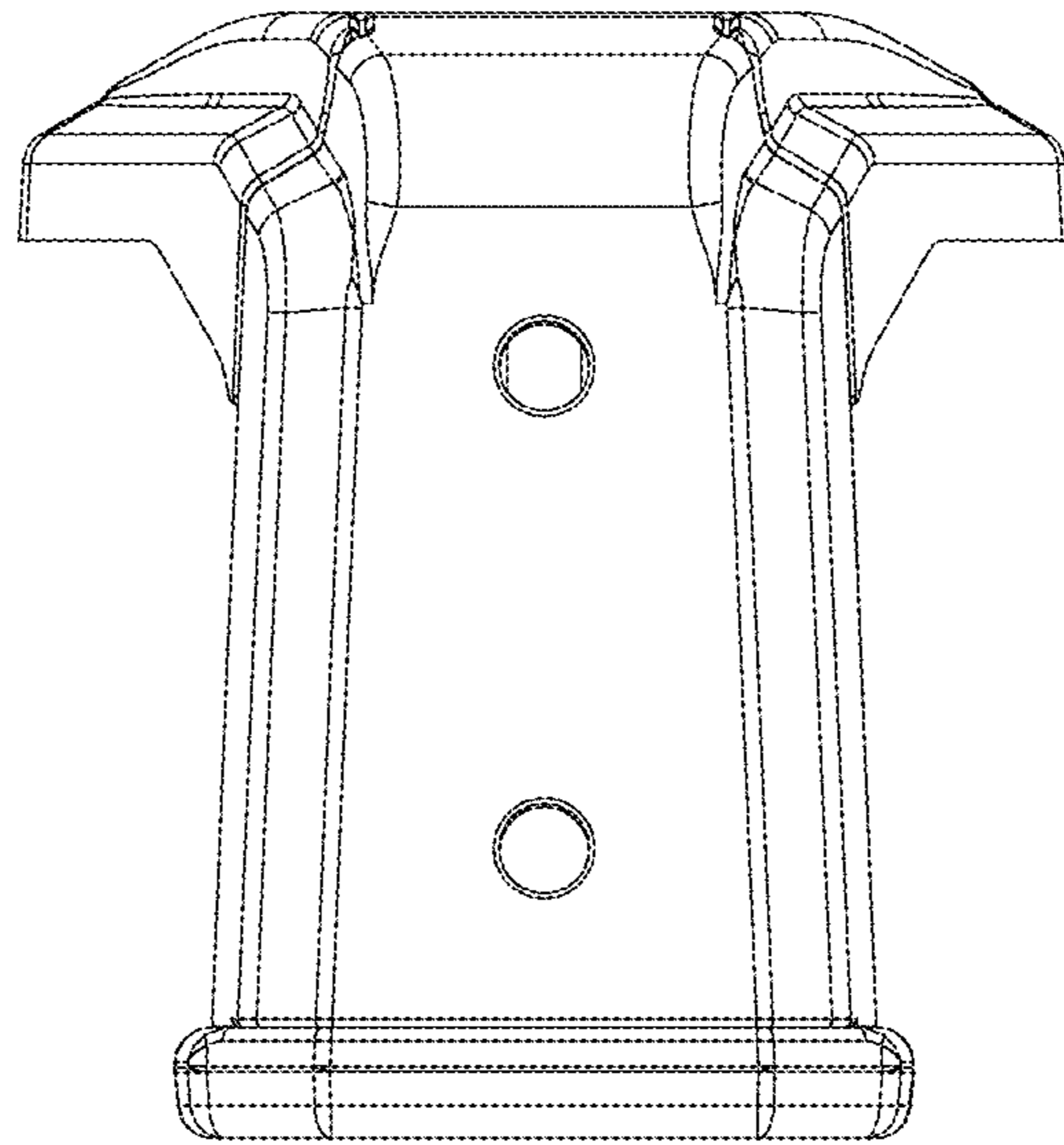


FIG. 6

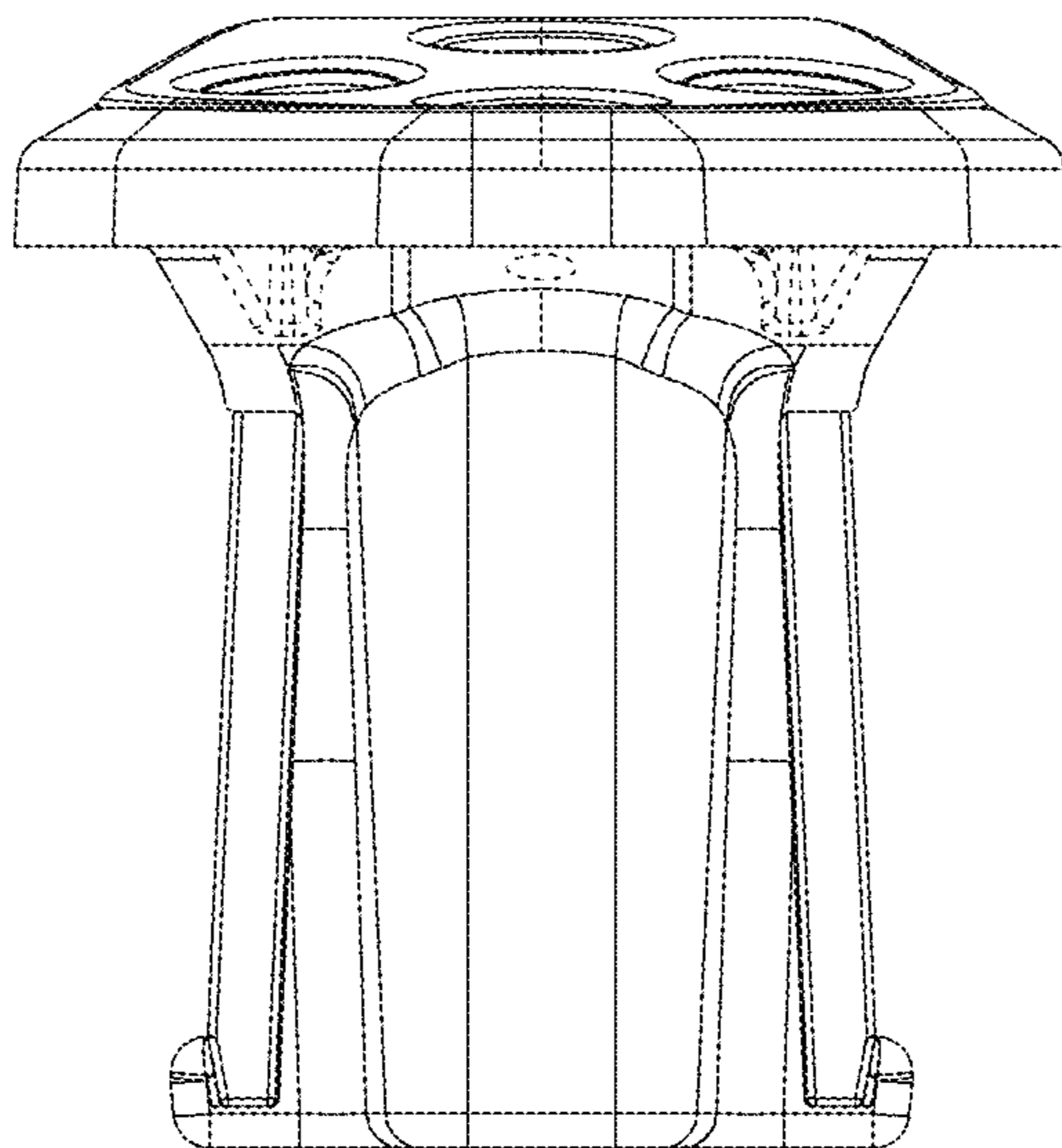


FIG. 7