



US00D985365S

(12) **United States Design Patent** (10) **Patent No.:** **US D985,365 S**  
**Alfakhrany** (45) **Date of Patent:** **\*\* May 9, 2023**

(54) **MOUNTING BRACKET**

(71) Applicant: **Rhino Rack Australia Pty Limited**,  
New South Wales (AU)  
(72) Inventor: **Tarek Alfakhrany**, New South Wales  
(AU)  
(73) Assignee: **RHINO RACK AUSTRALIA PTY**  
**LIMITED**, Eastern Creek (AU)

(\*\*) Term: **15 Years**

(21) Appl. No.: **29/796,408**

(22) Filed: **Jun. 24, 2021**

(30) **Foreign Application Priority Data**

Dec. 24, 2020 (AU) ..... 202017155

(51) **LOC (14) Cl.** ..... **08-05**

(52) **U.S. Cl.**  
USPC ..... **D8/354**

(58) **Field of Classification Search**  
USPC ..... D8/354, 358, 363, 366, 373, 375, 379,  
D8/382, 400-402, 404, 499, 46, 300,  
D8/321-322, 383-384, 387, 397, 399,  
D8/356, 364-365, 374, 376-377,  
D8/380-381; D12/223, 414, 400, 406;  
D25/61, 102, 119-122, 133, 138, 140,  
D25/164, 199

CPC ..... E04C 5/201; E04C 5/168; E04C 5/203;  
E04C 5/205; A47B 1/10; A47B 21/03

See application file for complete search history.

(56) **References Cited**

**U.S. PATENT DOCUMENTS**

D367,477 S \* 2/1996 Rosen ..... D14/452  
D370,402 S \* 6/1996 Anand ..... D8/354  
D387,784 S \* 12/1997 Nakamura ..... D14/224  
D393,789 S \* 4/1998 King, Jr. .... D8/71

D400,081 S \* 10/1998 Ibaragi ..... D8/354  
D419,854 S \* 2/2000 Brousseau ..... D8/354  
D585,356 S \* 1/2009 Gillan ..... D12/223  
D617,176 S \* 6/2010 Confer ..... D34/35  
D621,244 S \* 8/2010 Kundinger, Jr. .... D8/381  
D627,624 S \* 11/2010 Brassard ..... D8/363  
D647,388 S \* 10/2011 Mercer ..... D8/363  
D670,157 S \* 11/2012 Mo ..... D8/363  
D806,525 S \* 1/2018 Honein ..... D8/363  
D818,994 S \* 5/2018 Yun ..... D14/224  
D835,256 S \* 12/2018 Hidalgo ..... D23/411  
D880,278 S \* 4/2020 Jaramillo ..... D8/354  
D893,285 S \* 8/2020 Lagnese, Sr. .... D8/356

(Continued)

**OTHER PUBLICATIONS**

Alfakhrany; Design U.S. Appl. No. 29/796,406, filed Jun. 24, 2021;  
in the USPTO; entitled Mounting Bracket.

(Continued)

*Primary Examiner* — Karen S Acker  
*Assistant Examiner* — Elizabeth S Ko  
(74) *Attorney, Agent, or Firm* — Bill R. Naifeh

(57) **CLAIM**

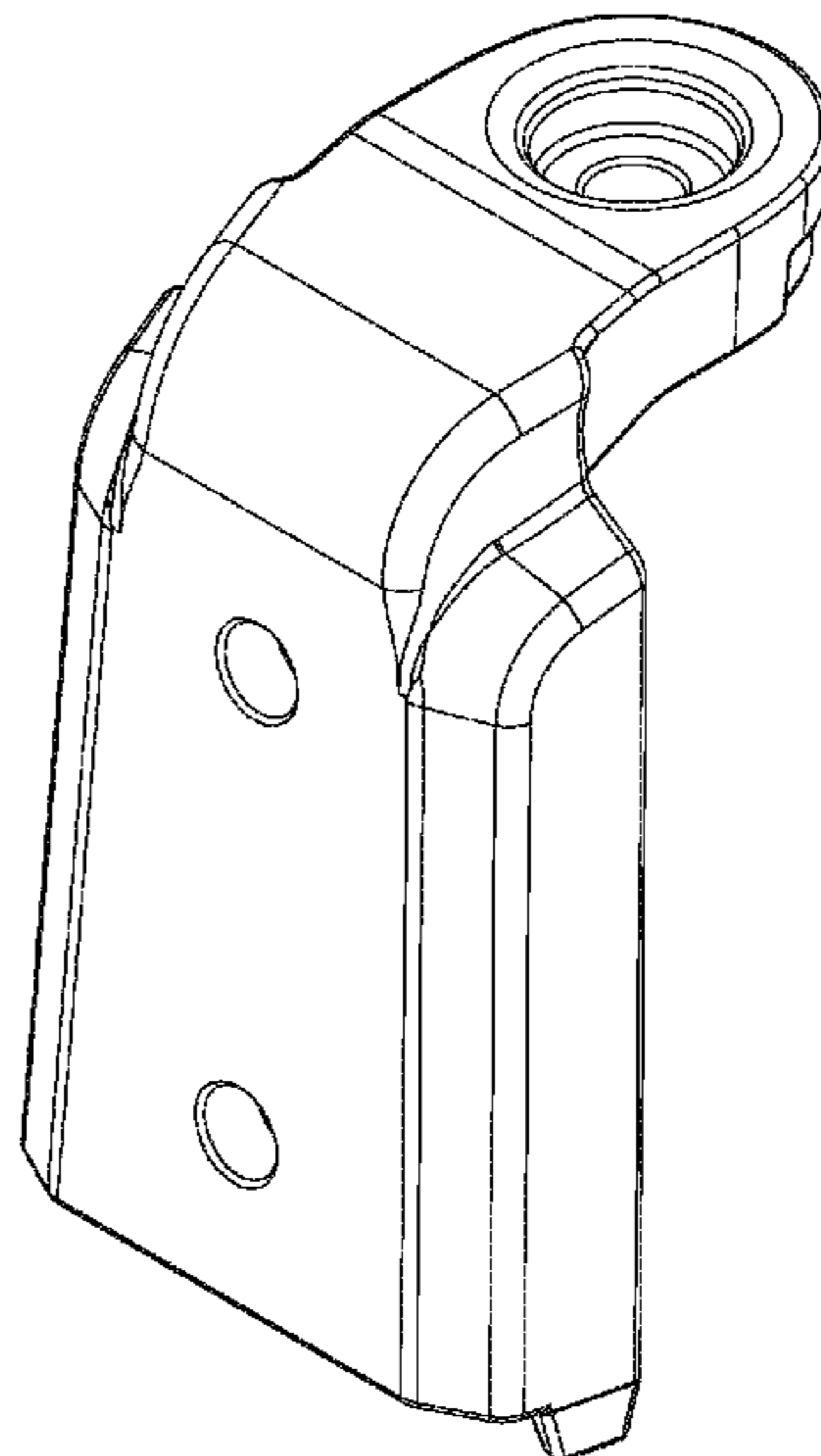
I claim the ornamental design for a mounting bracket, as  
substantially shown and described.

**DESCRIPTION**

FIG. 1 is an upper isometric view of a mounting bracket;  
FIG. 2 is a lower isometric view thereof;  
FIG. 3 is a top view thereof;  
FIG. 4 is a bottom view thereof;  
FIG. 5 is a rear view thereof;  
FIG. 6 is a front view thereof;  
FIG. 7 is a left side view thereof; and,  
FIG. 8 is a right side view thereof.

The broken lines in the drawings depict portions of the  
mounting bracket that form no part of the claimed design.

**1 Claim, 4 Drawing Sheets**



(56)

**References Cited**

U.S. PATENT DOCUMENTS

D902,014 S \* 11/2020 Lagnese, Sr. .... D8/354  
D931,712 S \* 9/2021 Lagnese, Sr. .... D8/354  
D932,875 S \* 10/2021 Parrott ..... D8/354  
2021/0262536 A1\* 8/2021 Banks ..... F16D 65/0056

OTHER PUBLICATIONS

Alfakhrany; Design U.S. Appl. No. 29/796,411, filed Jun. 24, 2021;  
in the USPTO; entitled Mounting Bracket.

Notice of Allowance; dated Jan. 11, 2023; by the USPTO; re Design  
U.S. Appl. No. 29/796,406.

Notice of Allowance; dated Jan. 11, 2023; by the USPTO; re Design  
U.S. Appl. No. 29/796,411.

\* cited by examiner

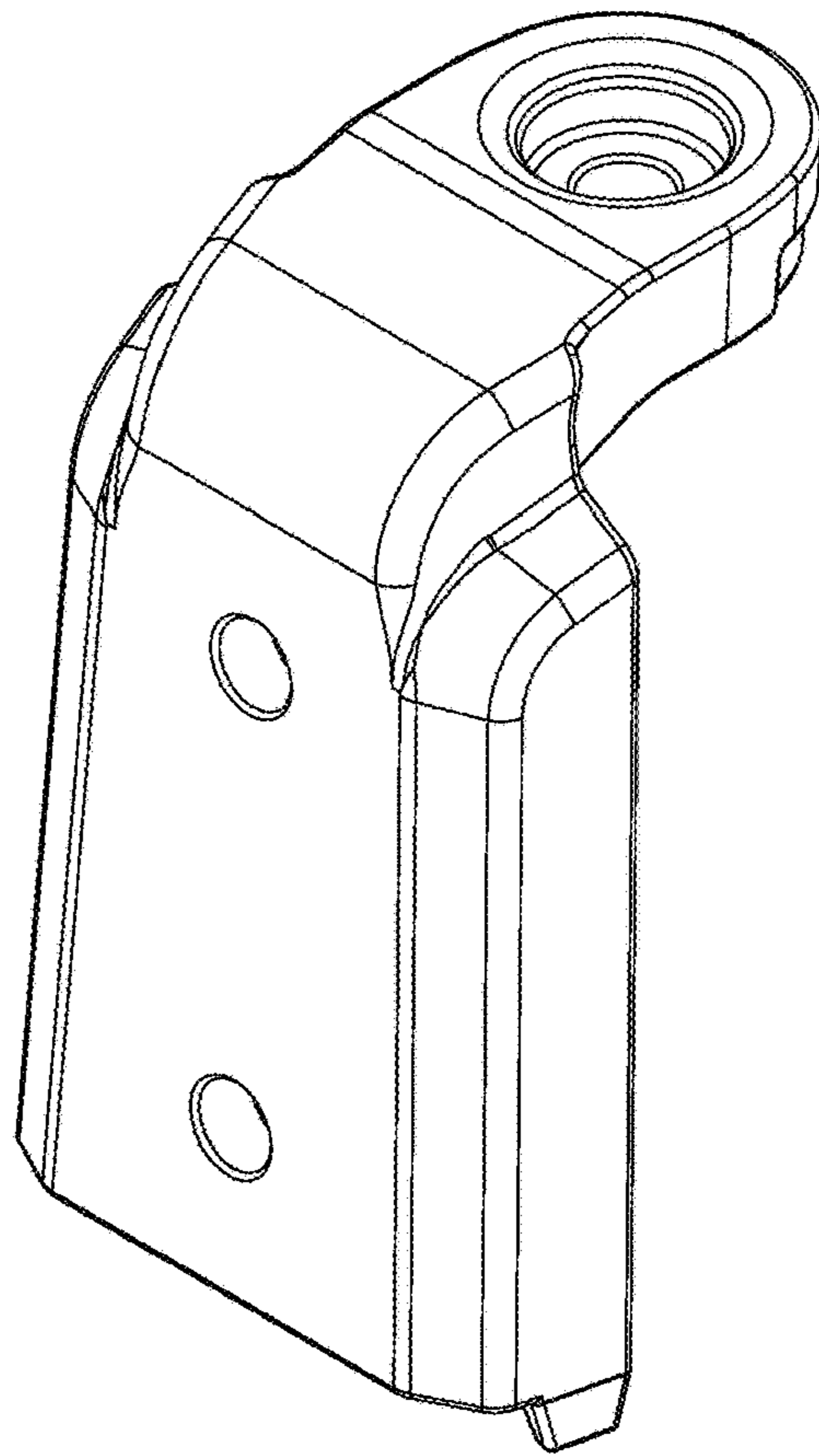


FIG. 1

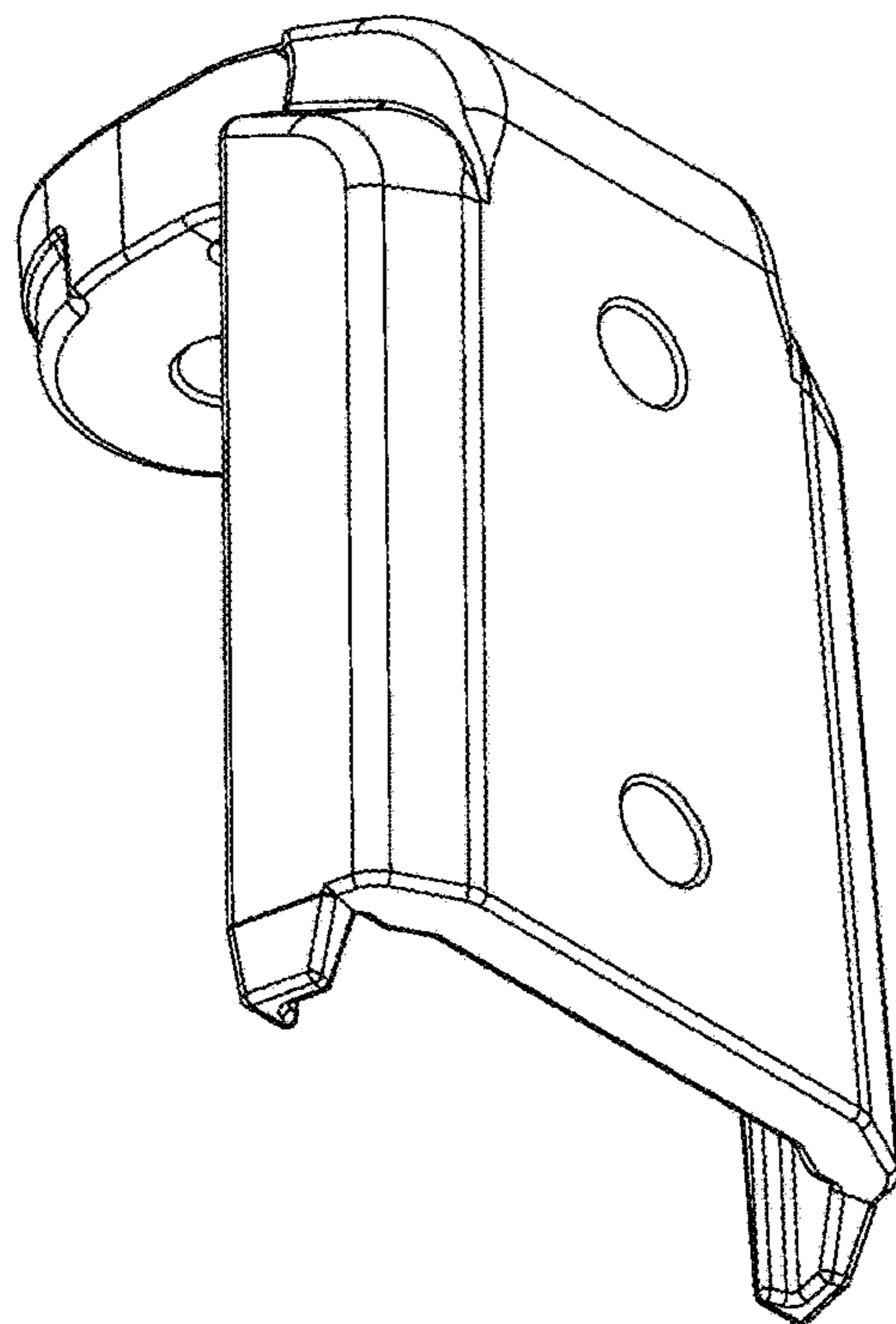


FIG. 2

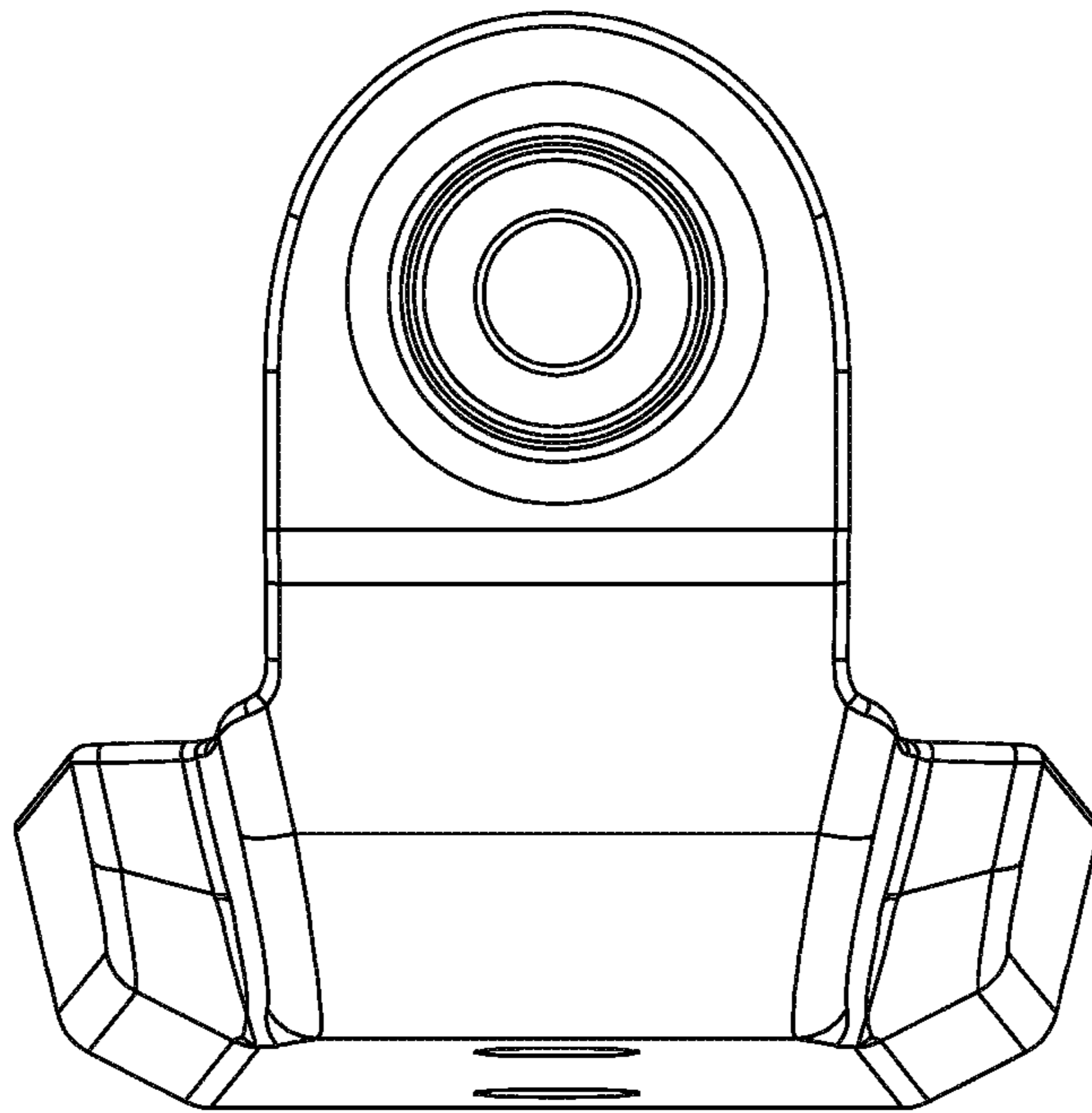


FIG. 3

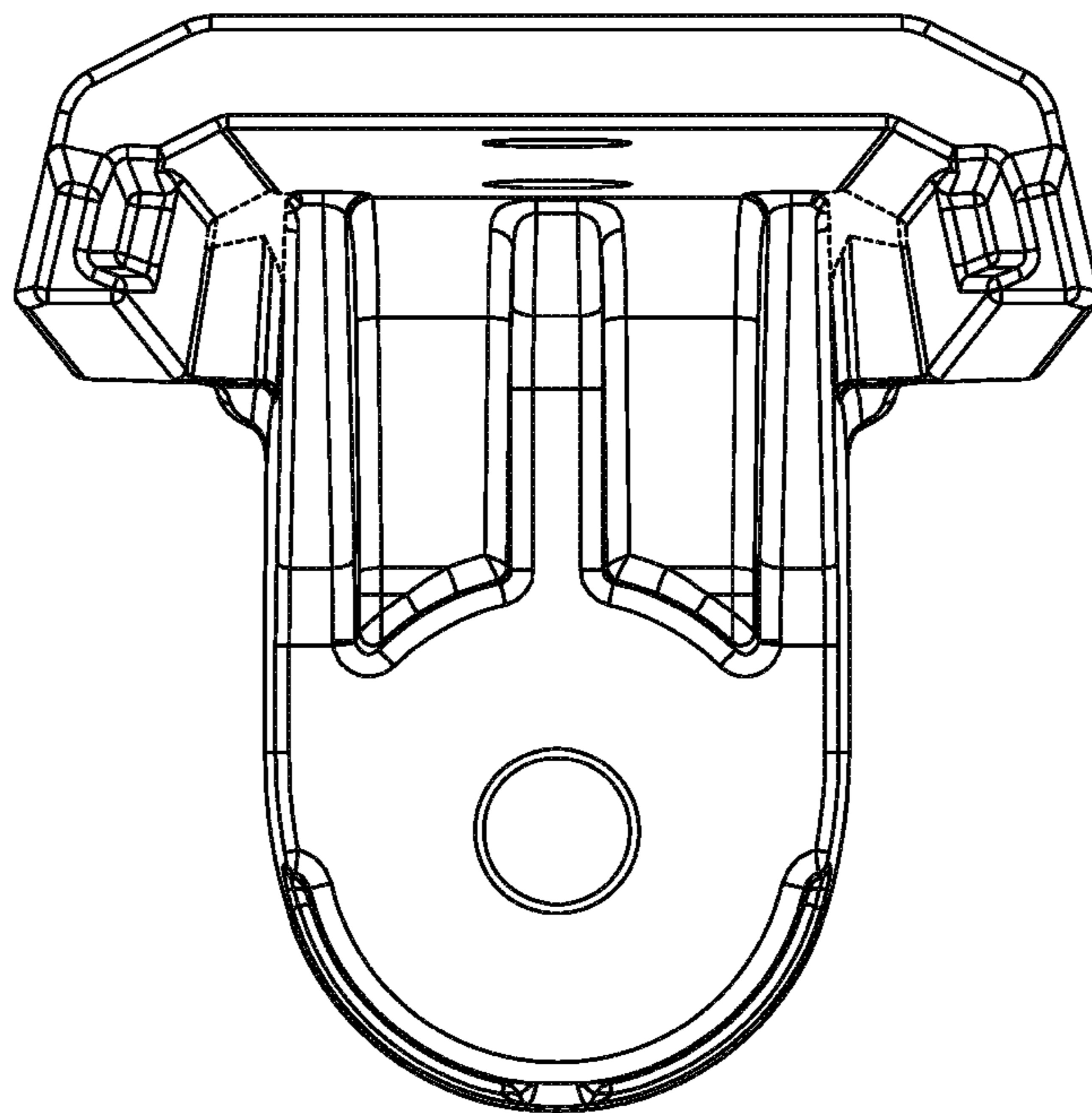


FIG. 4

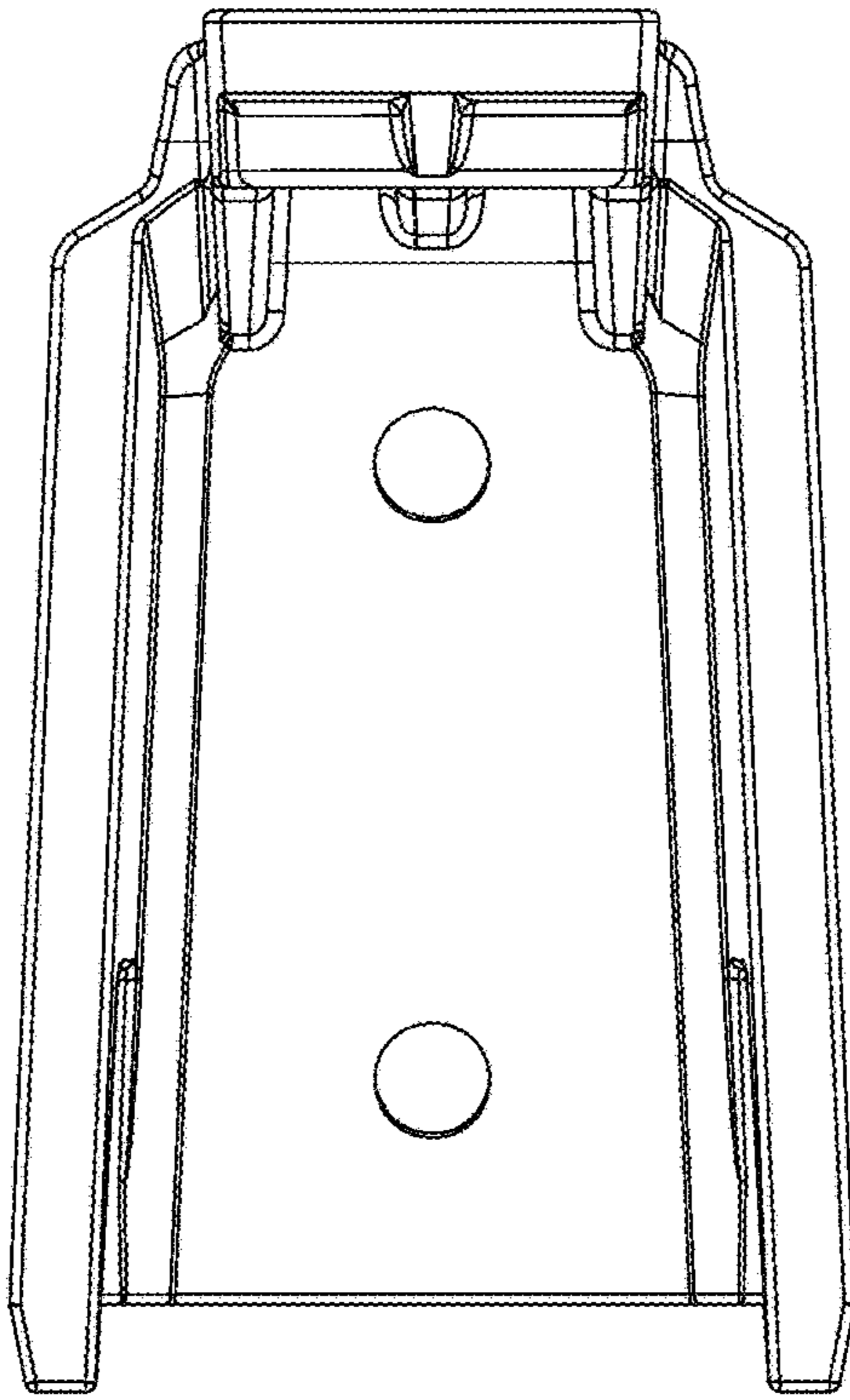


FIG. 5

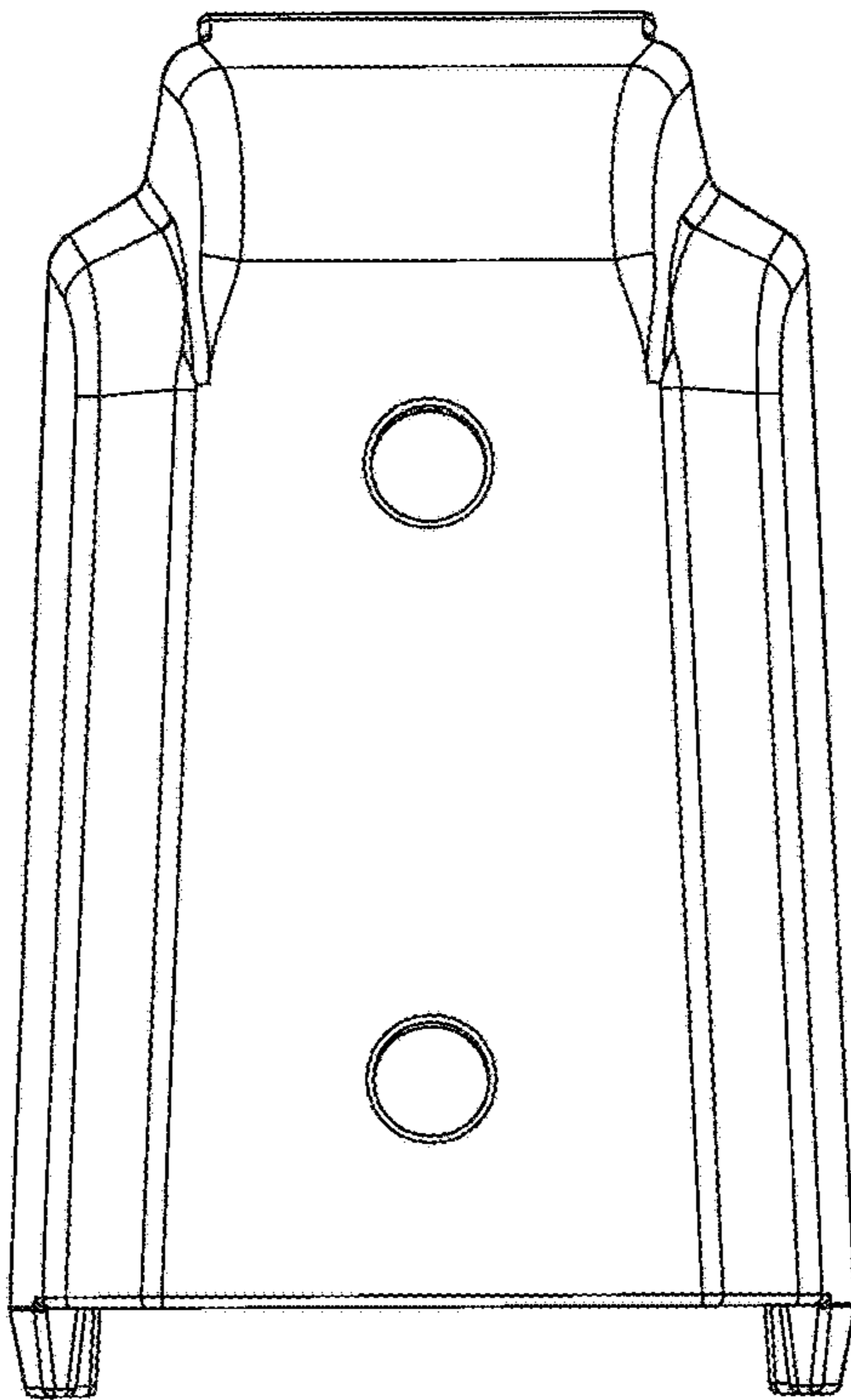


FIG. 6

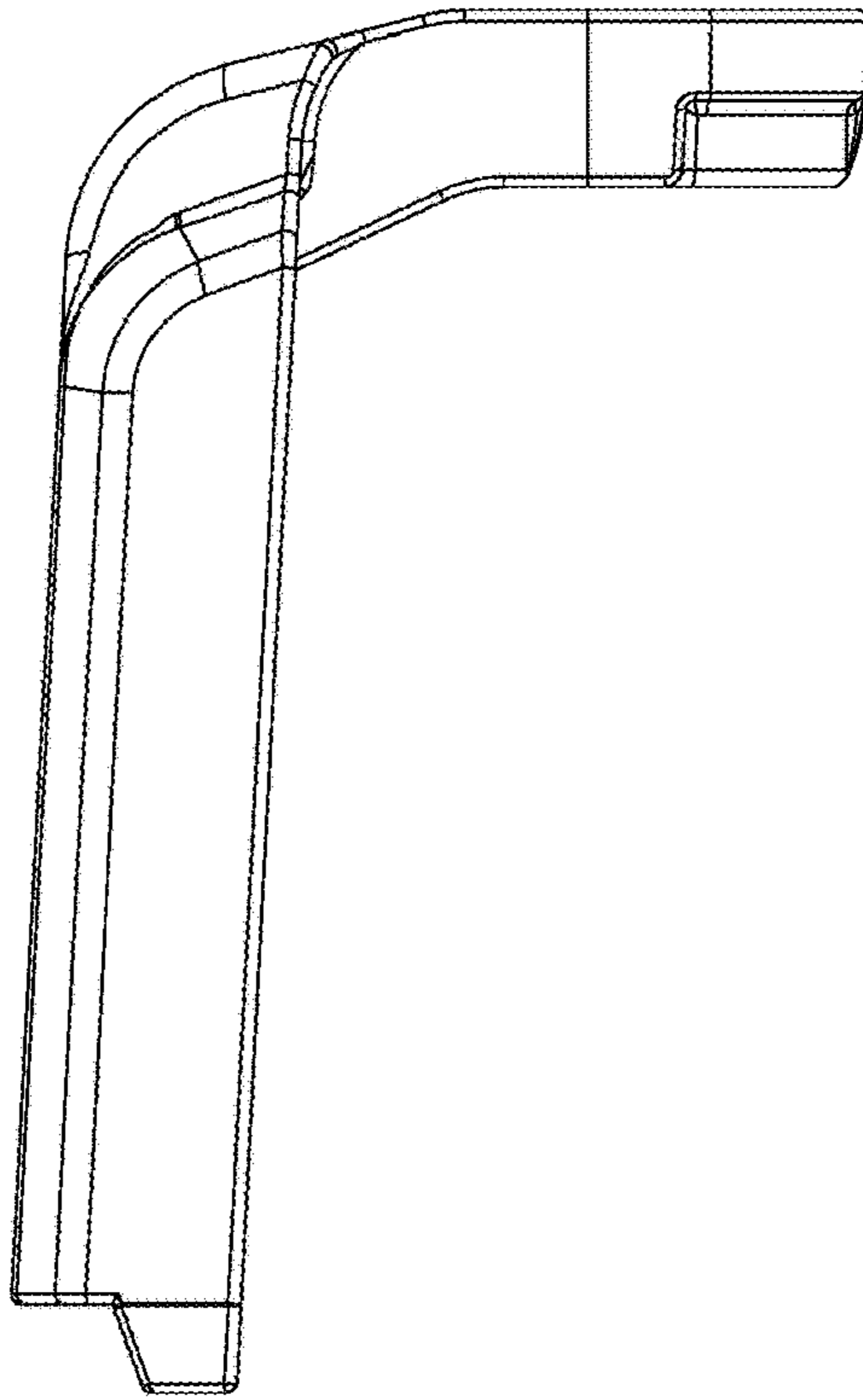


FIG. 7

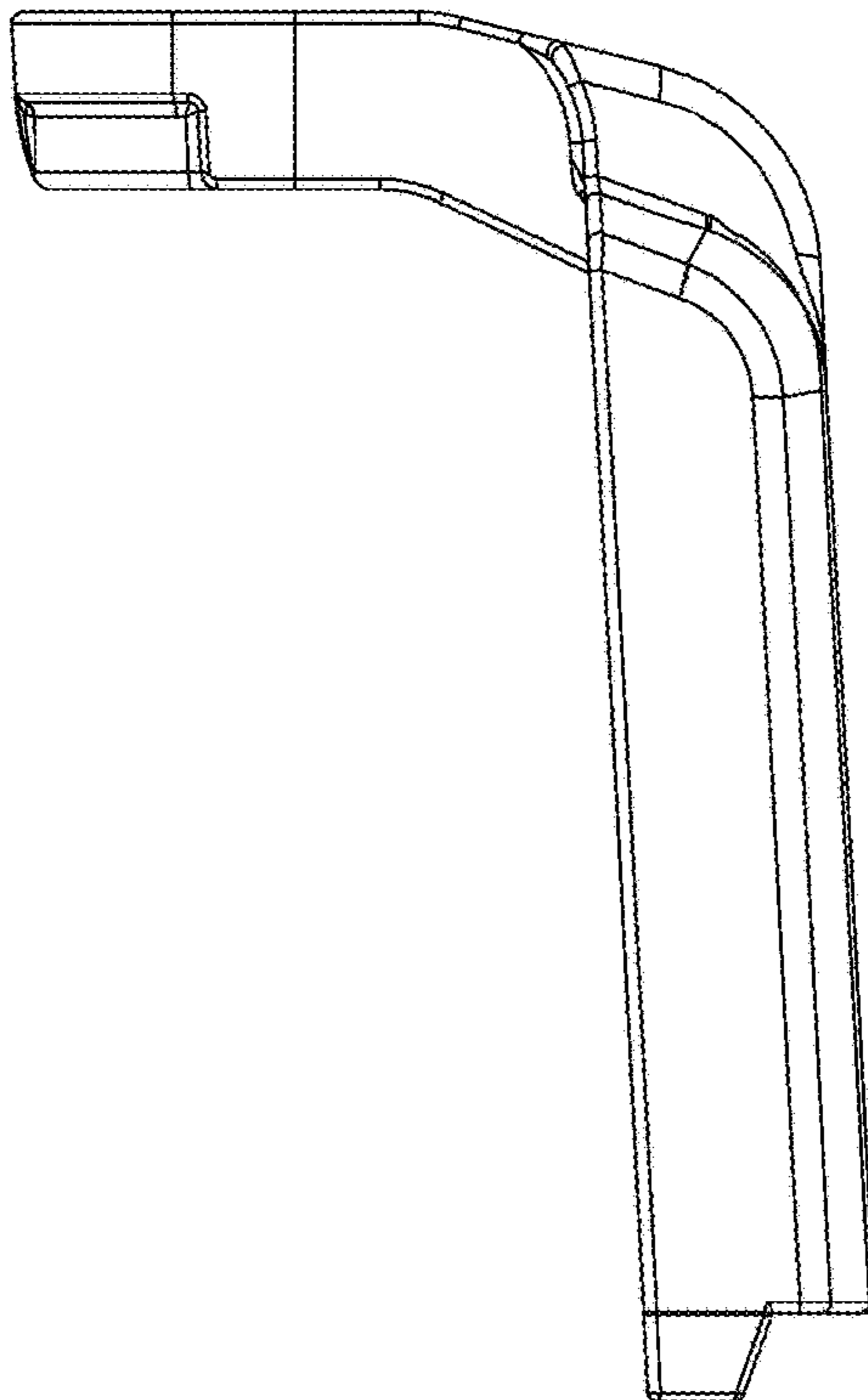


FIG. 8