



US00D985364S

(12) **United States Design Patent**
Alfakhrany

(10) **Patent No.:** **US D985,364 S**

(45) **Date of Patent:** **** May 9, 2023**

(54) **MOUNTING BRACKET**

(71) Applicant: **Rhino Rack Australia Pty Limited**,
New South Wales (AU)

(72) Inventor: **Tarek Alfakhrany**, New South Wales
(AU)

(73) Assignee: **RHINO RACK AUSTRALIA PTY LIMITED**, Eastern Creek (AU)

(**) Term: **15 Years**

(21) Appl. No.: **29/796,406**

(22) Filed: **Jun. 24, 2021**

(30) **Foreign Application Priority Data**

Dec. 24, 2020 (AU) 202017154

(51) **LOC (14) Cl.** **08-05**

(52) **U.S. Cl.**
USPC **D8/354**

(58) **Field of Classification Search**
USPC D8/354, 358, 363, 366, 373, 375, 379,
D8/382, 400-402, 404, 499, 46, 300,
D8/321-322, 383-384, 387, 397, 399,
D8/356, 364-365, 374, 376-377,
D8/380-381; D12/223, 414, 400, 406;
D25/61, 102, 119-122, 133, 138, 140,
D25/164, 199

CPC E04C 5/201; E04C 5/168; E04C 5/203;
E04C 5/205; A47B 1/10; A47B 21/03

See application file for complete search history.

(56) **References Cited**

U.S. PATENT DOCUMENTS

D367,477 S * 2/1996 Rosen D14/452
D370,402 S * 6/1996 Anand D8/354
D387,784 S * 12/1997 Nakamura D14/224
D393,789 S * 4/1998 King, Jr. D8/71

D400,081 S * 10/1998 Ibaragi D8/354
D419,854 S * 2/2000 Brousseau D8/354
D585,356 S * 1/2009 Gillan D12/223
D617,176 S * 6/2010 Confer D34/35
D621,244 S * 8/2010 Kundinger, Jr. D8/381
D627,624 S * 11/2010 Brassard D8/363
D647,388 S * 10/2011 Mercer D8/363
D670,157 S * 11/2012 Mo D8/363
D806,525 S * 1/2018 Honein D8/363
D818,994 S * 5/2018 Yun D14/224
D835,256 S * 12/2018 Hidalgo D23/411
D880,278 S * 4/2020 Jaramillo D8/354

(Continued)

OTHER PUBLICATIONS

Alfakhrany; Design U.S. Appl. No. 29/796,408, filed Jun. 24, 2021;
in the USPTO; entitled Mounting Bracket.

(Continued)

Primary Examiner — Karen S Acker
Assistant Examiner — Elizabeth S Ko
(74) *Attorney, Agent, or Firm* — Bill R. Naifeh

(57) **CLAIM**

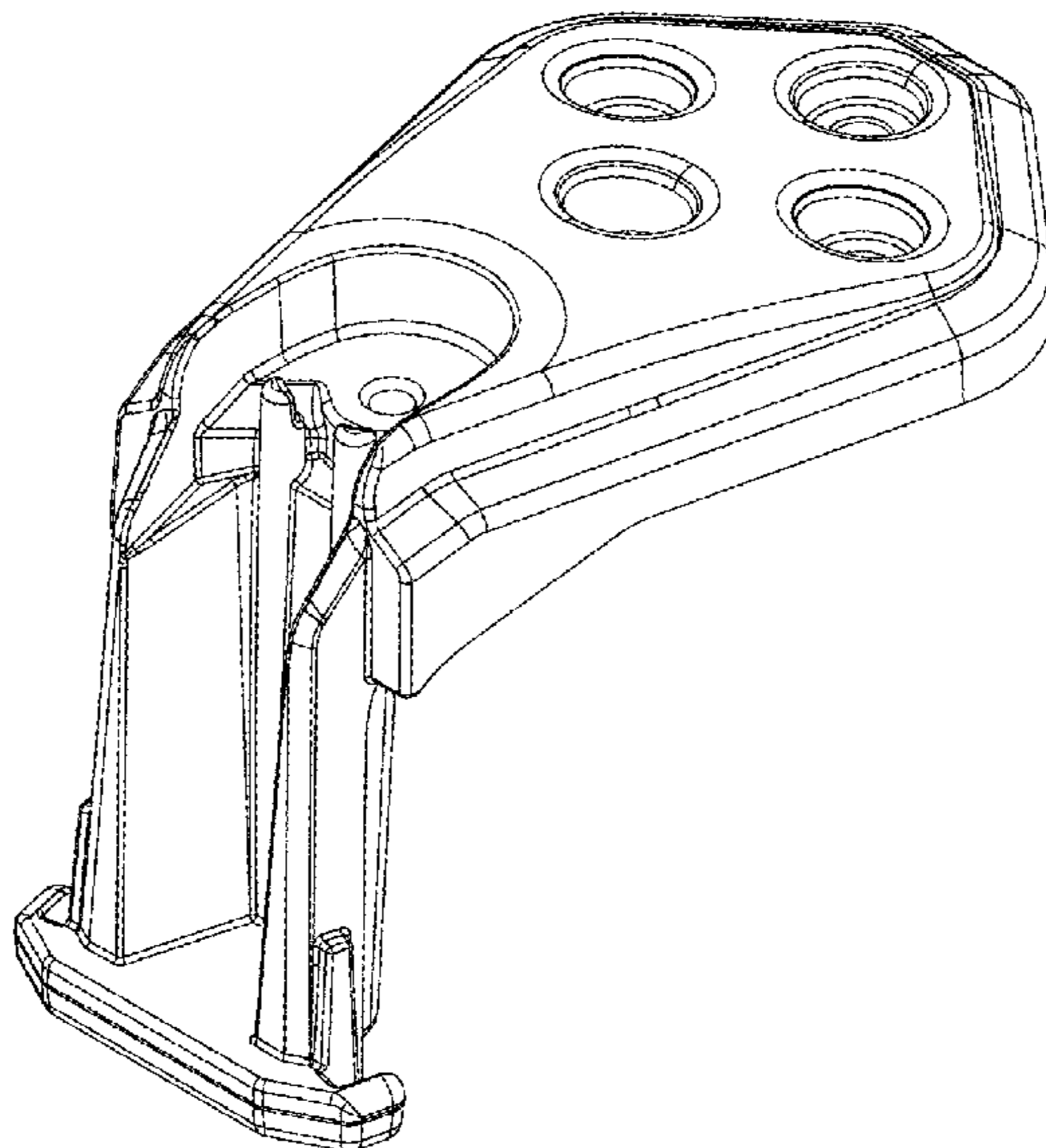
I claim the ornamental design for a mounting bracket, as
substantially shown and described.

DESCRIPTION

FIG. 1. is an isometric view from above of a mounting
bracket;
FIG. 2. is an isometric view from below thereof;
FIG. 3. is a left side view thereof;
FIG. 4. is a right side view thereof;
FIG. 5. is a rear view thereof;
FIG. 6. is a front view thereof;
FIG. 7. is a top view thereof; and,
FIG. 8. is a bottom view thereof.

The broken lines in the drawings depict portions of the
mounting bracket that form no part of the claimed design.

1 Claim, 3 Drawing Sheets



(56)

References Cited

U.S. PATENT DOCUMENTS

D893,285 S * 8/2020 Lagnese, Sr. D8/356
D902,014 S * 11/2020 Lagnese, Sr. D8/354
D931,712 S * 9/2021 Lagnese, Sr. D8/354
D932,875 S * 10/2021 Parrott D8/354
2021/0262536 A1* 8/2021 Banks F16D 65/0056

OTHER PUBLICATIONS

Alfakhrany; Design U.S. Appl. No. 29/796,411, filed Jun. 24, 2021;
in the USPTO; entitled Mounting Bracket.

Notice of Allowance; dated Jan. 11, 2023; by the USPTO; re U.S.
Design U.S. Appl. No. 29/796,408.

Notice of Allowance; dated Jan. 11, 2023; by the USPTO; re U.S.
Design U.S. Appl. No. 29/796,411.

* cited by examiner

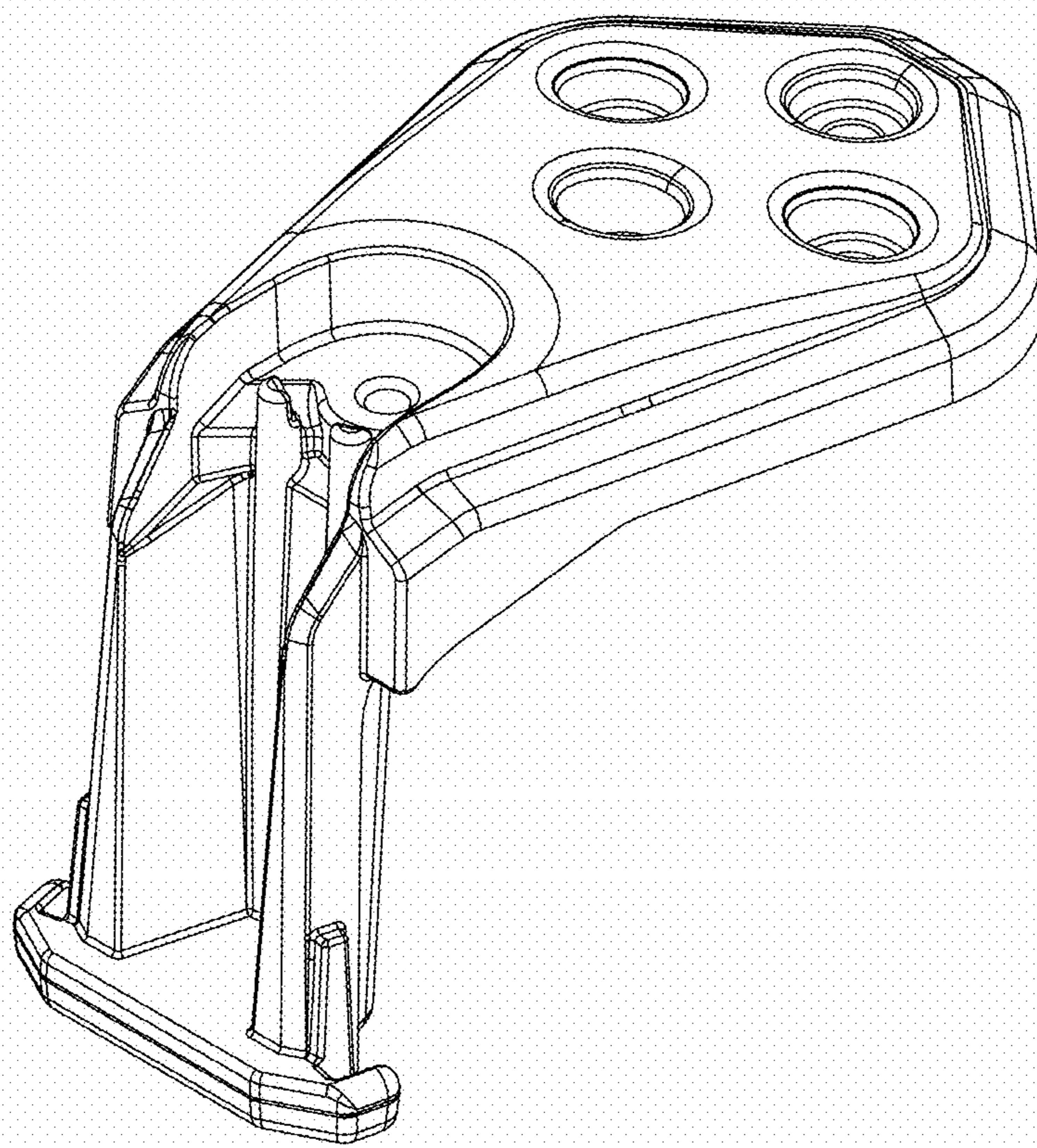


FIG. 1

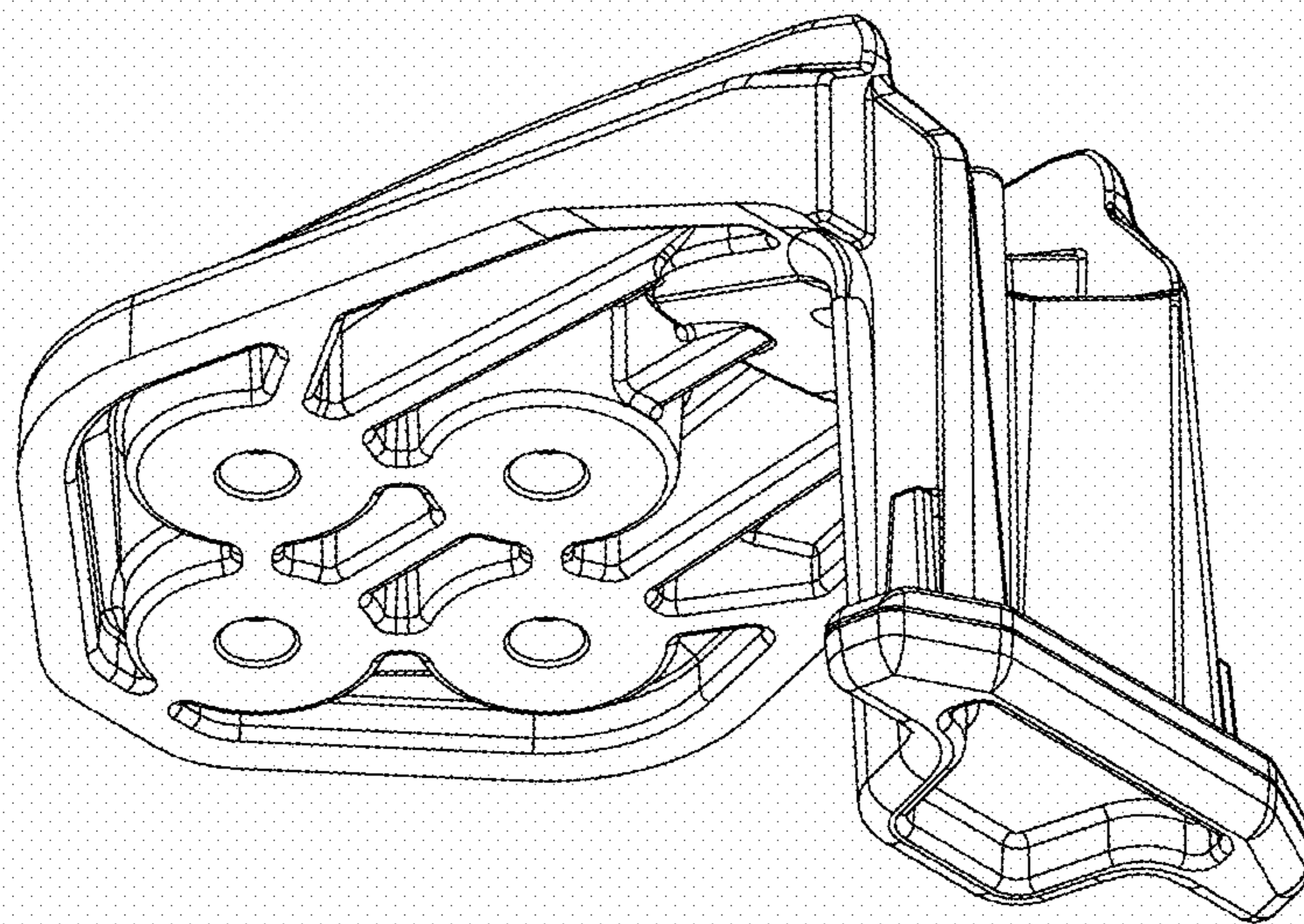


FIG. 2

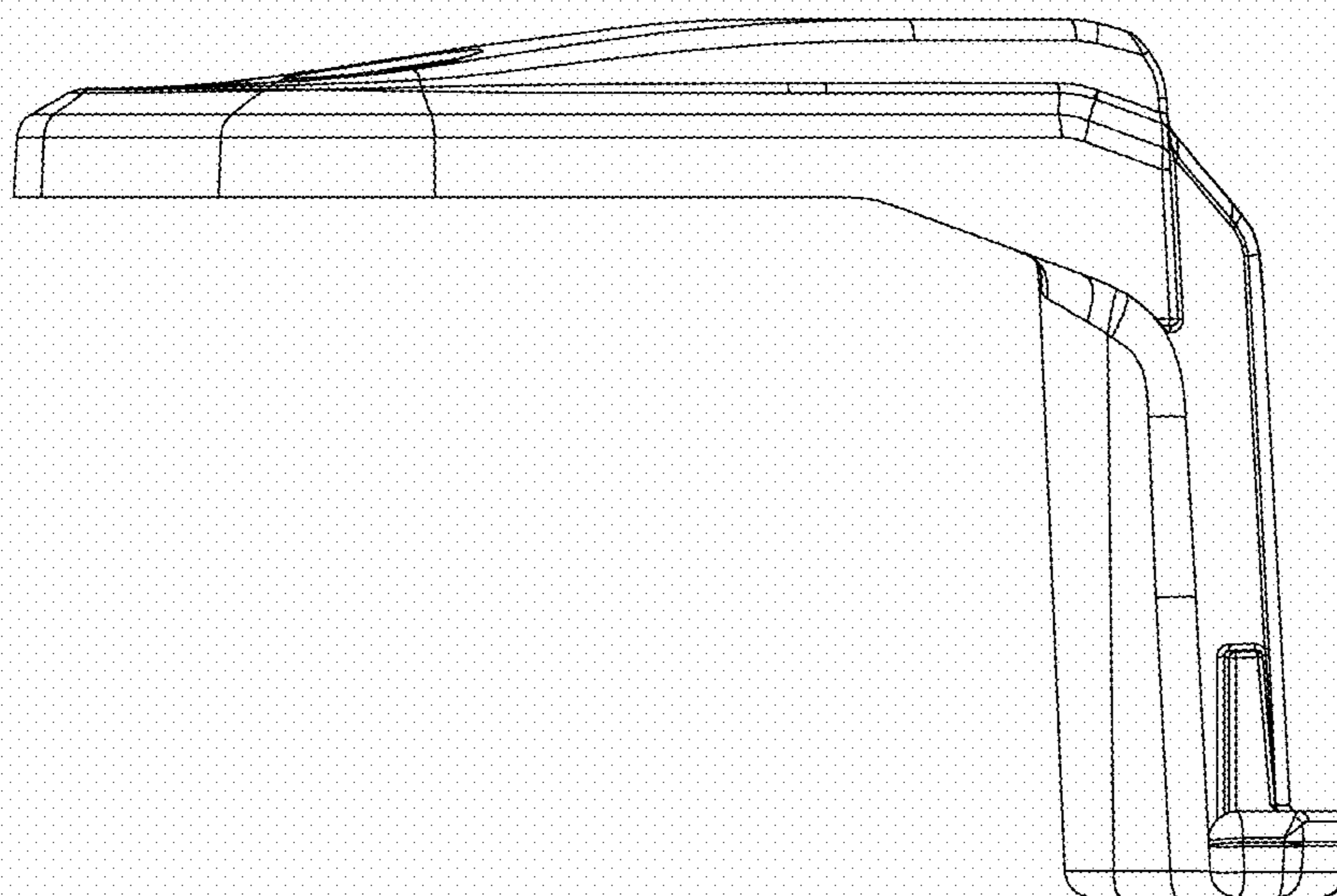


FIG. 3

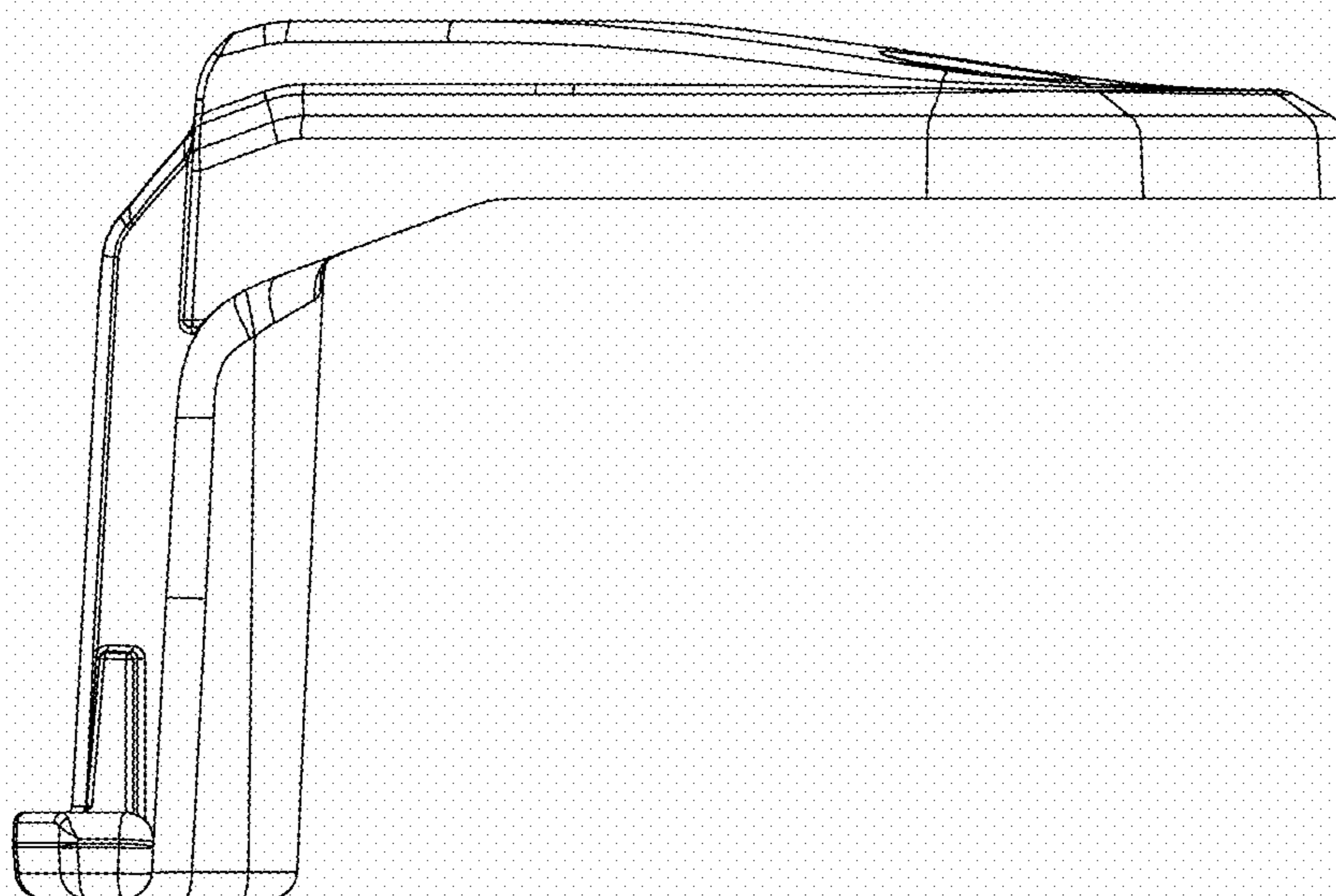


FIG. 4

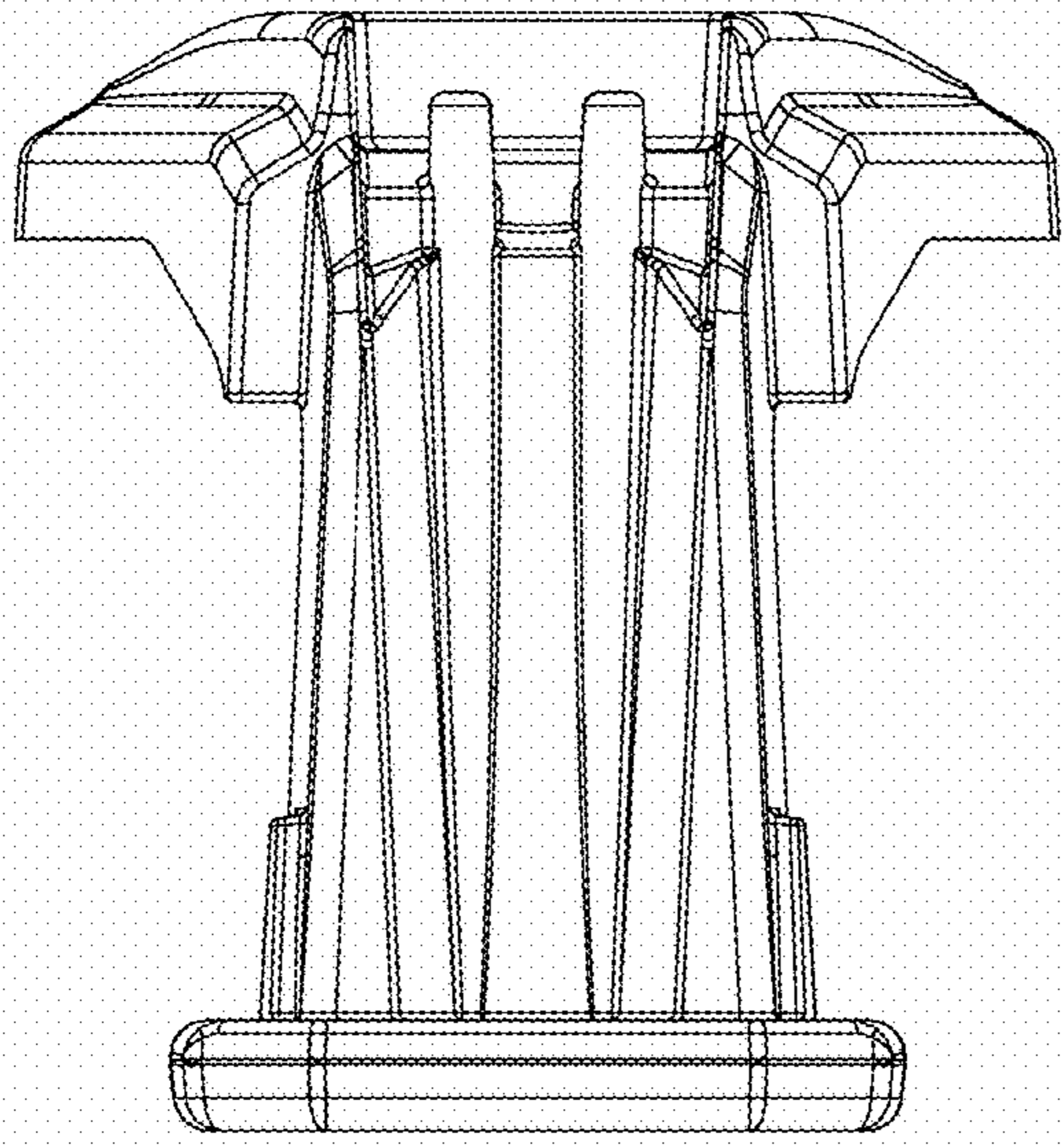


FIG. 5

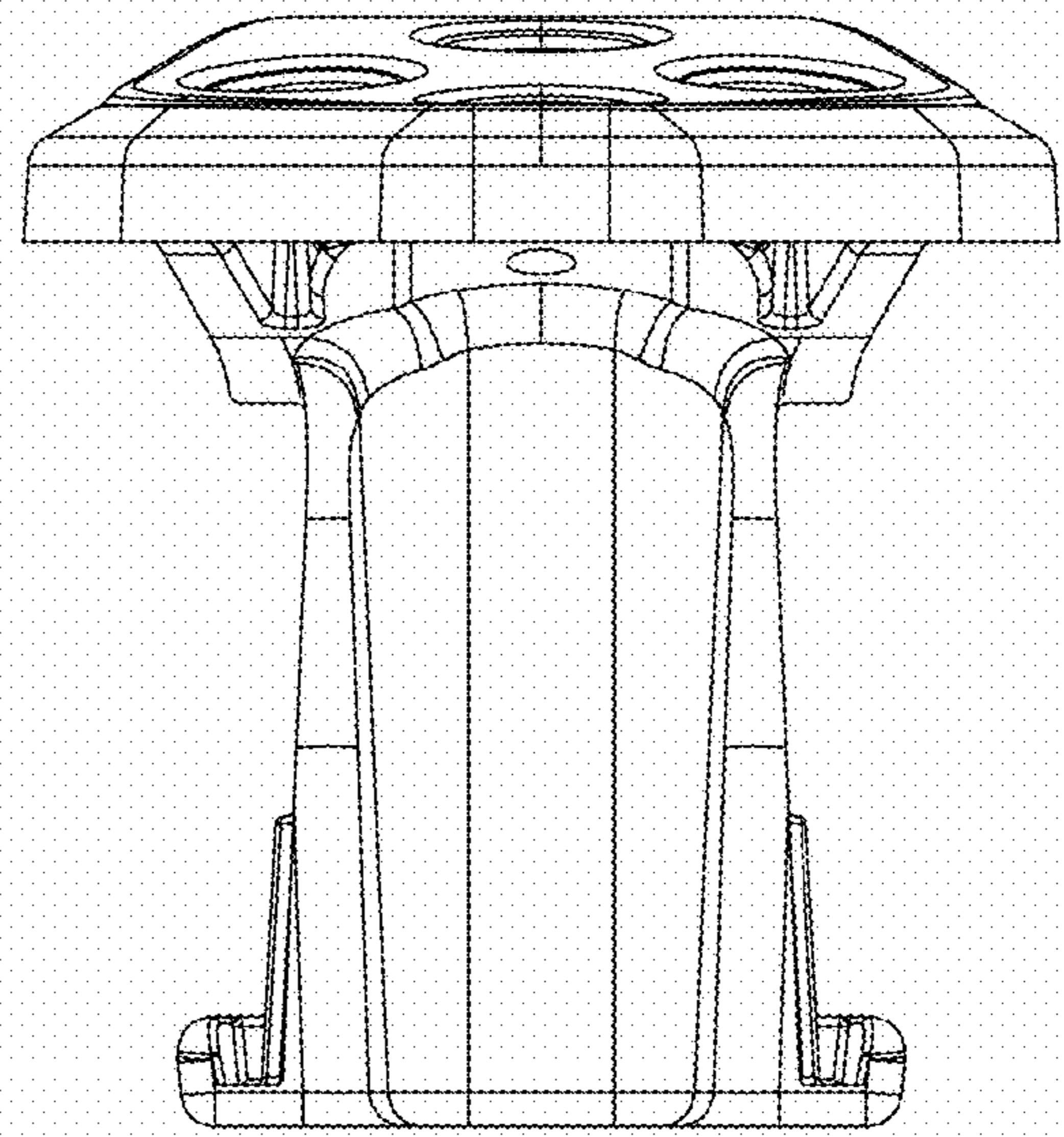


FIG. 6

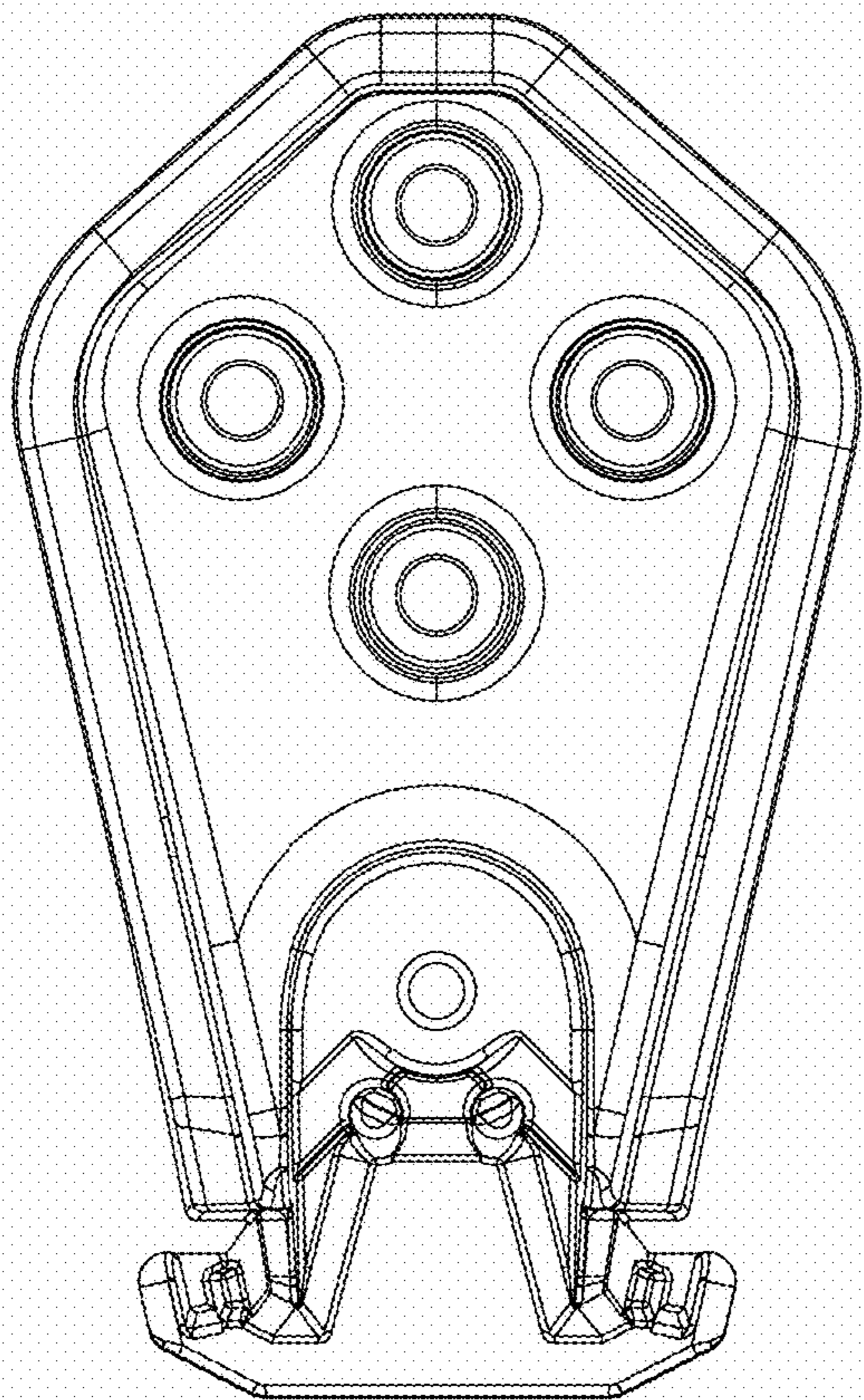


FIG. 7

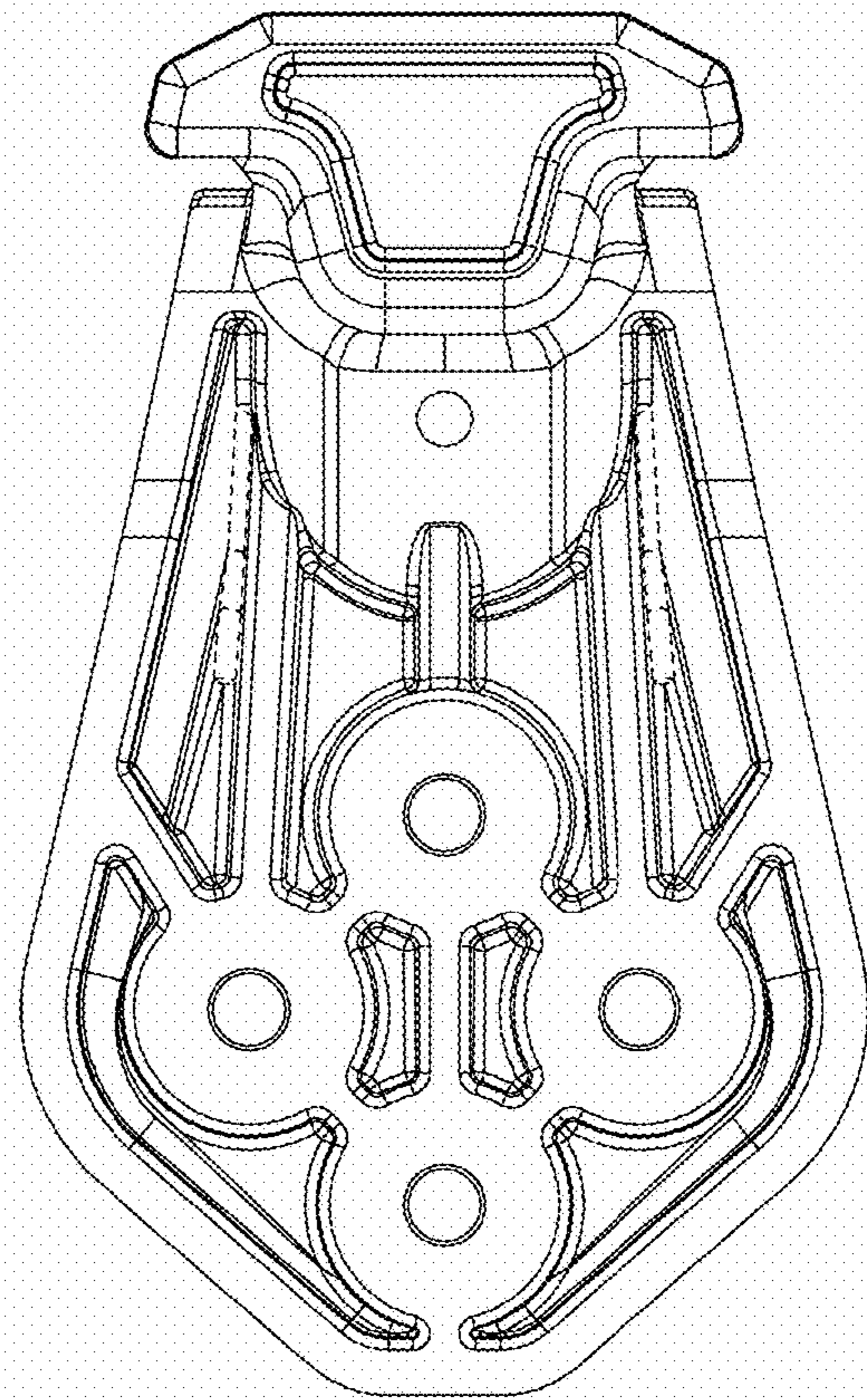


FIG. 8