



US00D985362S

(12) **United States Design Patent** (10) **Patent No.:** **US D985,362 S**  
**Hu** (45) **Date of Patent:** **\*\* May 9, 2023**

(54) **BASE BRACKET**  
(71) Applicant: **YouJun Hu**, Shenzhen (CN)  
(72) Inventor: **YouJun Hu**, Shenzhen (CN)  
(\*\*) Term: **15 Years**  
(21) Appl. No.: **29/778,170**  
(22) Filed: **Apr. 12, 2021**  
(51) **LOC (14) Cl.** ..... **08-08**  
(52) **U.S. Cl.**  
USPC ..... **D8/349**  
(58) **Field of Classification Search**  
USPC ..... D8/349, 354, 355, 380; D13/101, 102,  
D13/107, 110, 118, 133, 184, 199  
CPC ..... H01L 31/02; H01L 31/18; H01L 31/042;  
H01L 31/048; H01L 31/0525; H01L  
31/0203; H01L 31/02008; H01L 31/0504;  
H01L 31/02013; H01L 27/142; H01L  
27/1421; Y02E 10/40; Y02E 10/47; Y02E  
10/50; Y02E 10/52; Y02E 10/54; Y02E  
10/544; H02S 30/10; H02S 40/34; H02S  
40/44; H02J 7/0042  
See application file for complete search history.

(56) **References Cited**  
U.S. PATENT DOCUMENTS  
D315,997 S \* 4/1991 Bales ..... D6/708.2  
D360,550 S \* 7/1995 Ford ..... D6/708.23  
D376,713 S \* 12/1996 Kelso ..... D8/387

D408,577 S \* 4/1999 Arndt ..... D26/62  
D426,319 S \* 6/2000 Lee ..... D25/126  
D450,496 S \* 11/2001 Schwartz ..... D6/708.2  
D479,065 S \* 9/2003 Verbeek ..... D6/710  
D604,534 S \* 11/2009 Guggenbiller, Jr. .... D8/373  
D705,877 S \* 5/2014 Humphrey ..... D21/717  
D764,896 S \* 8/2016 Partridge ..... H02G 13/00  
D8/382  
D787,871 S \* 5/2017 Roso ..... D6/710  
D804,051 S \* 11/2017 Alexander ..... D24/227  
D893,441 S \* 8/2020 Rao ..... D13/199  
D944,967 S \* 3/2022 Crowell ..... D23/378  
D954,786 S \* 6/2022 Purdy ..... D16/242

\* cited by examiner

*Primary Examiner* — Mark A Goodwin

(74) *Attorney, Agent, or Firm* — Runit Ranjit Kanakia

(57) **CLAIM**

I claim the ornamental design for a base bracket, as shown and described.

**DESCRIPTION**

FIG. 1 is a Front Perspective view of a base bracket showing my new design;

FIG. 2 is a Front view thereof;

FIG. 3 is a Back view thereof;

FIG. 4 is a Right-side view thereof;

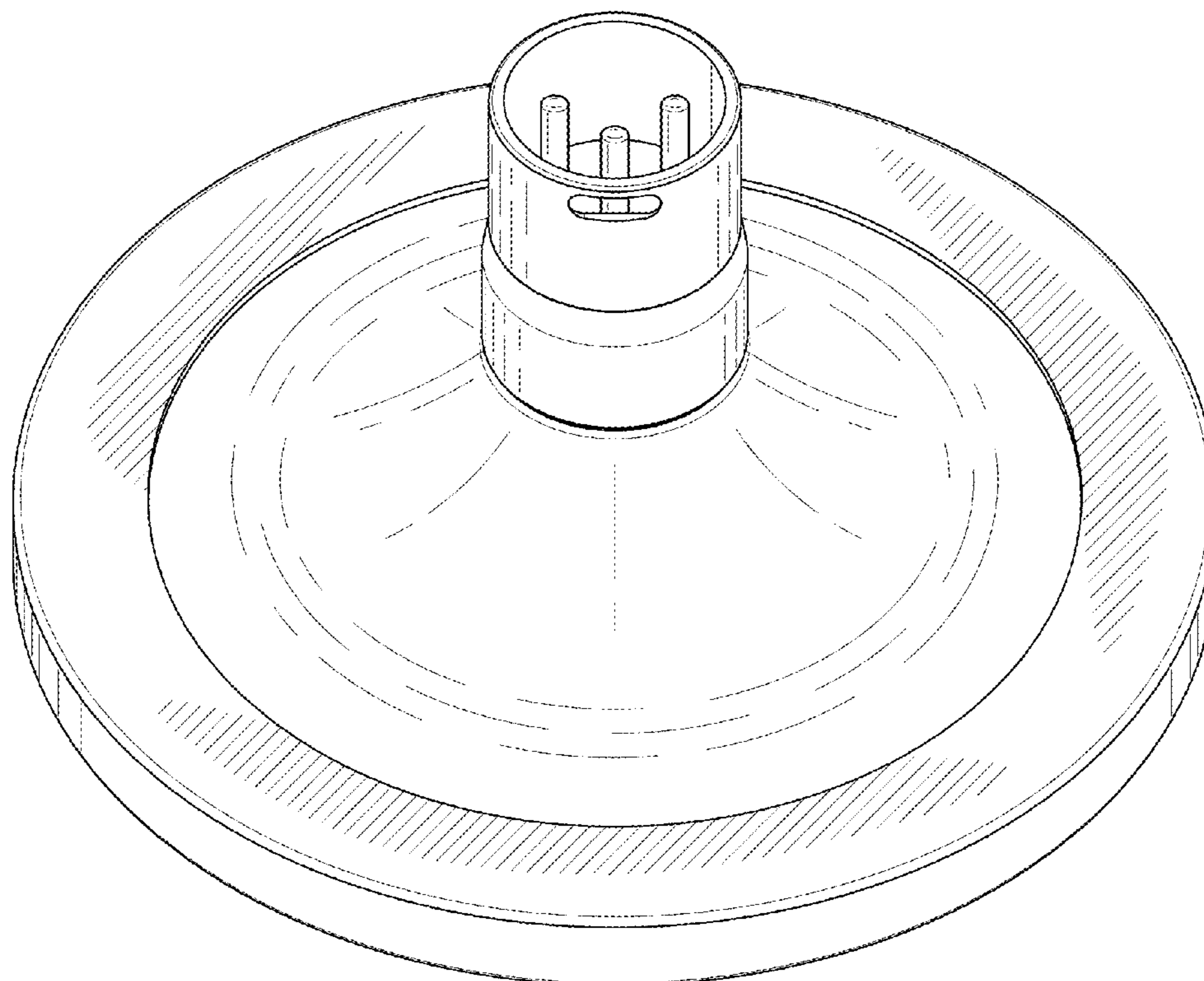
FIG. 5 is a Left-side view thereof;

FIG. 6 is a Top view thereof; and,

FIG. 7 is a Bottom view thereof.

The broken lines in the drawings depict portions of the base bracket that form no part of the claimed design.

**1 Claim, 7 Drawing Sheets**



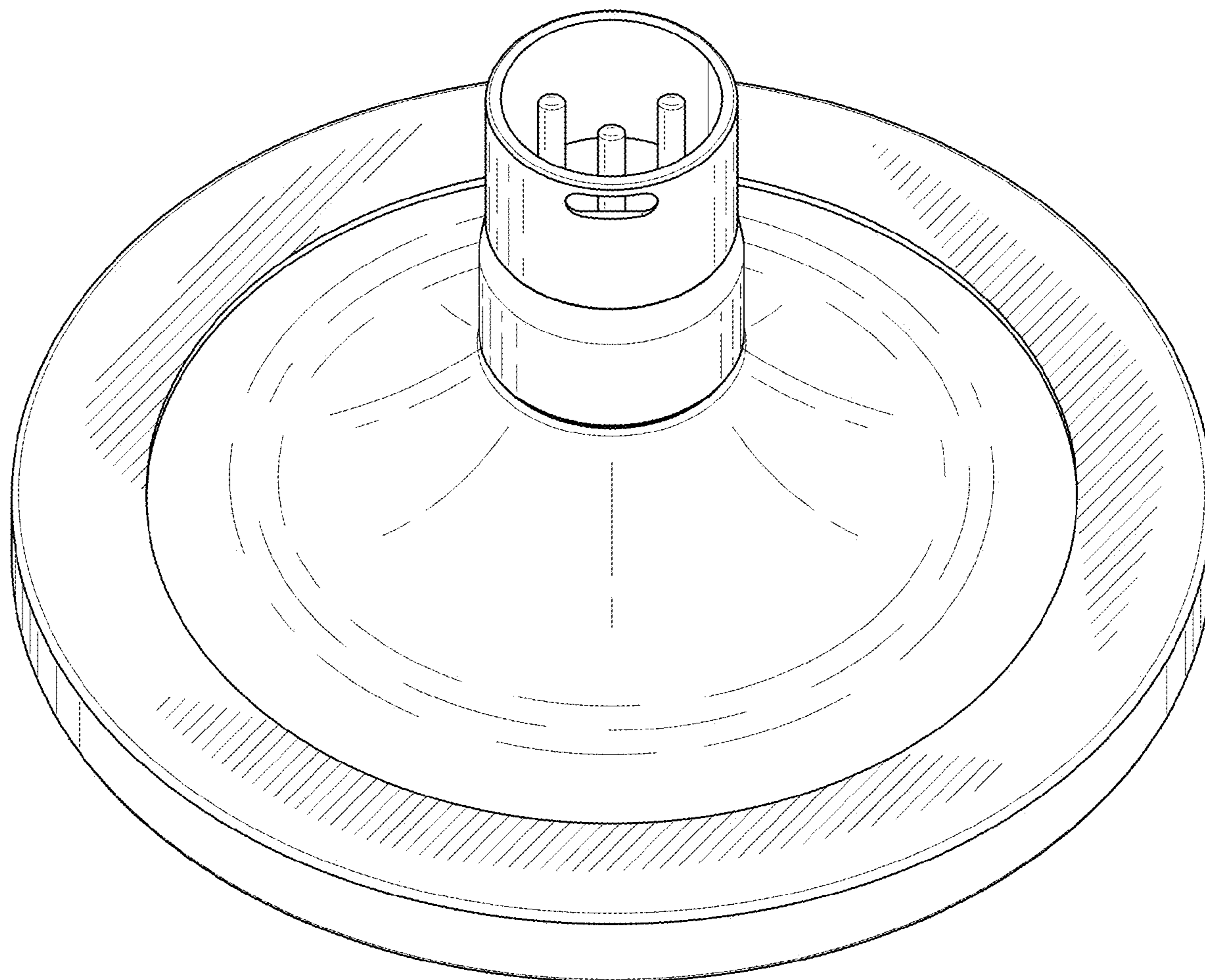


FIG. 1

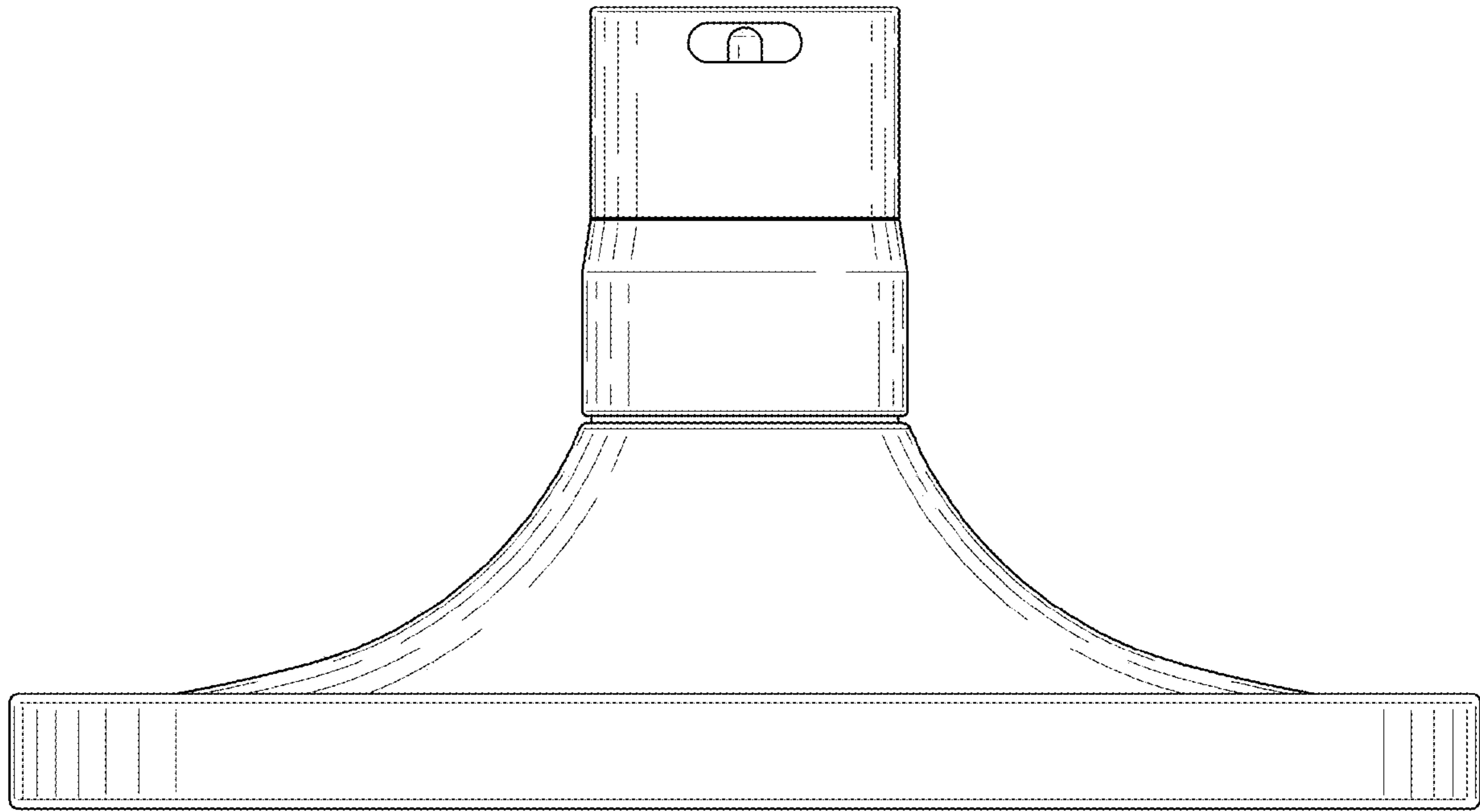


FIG. 2

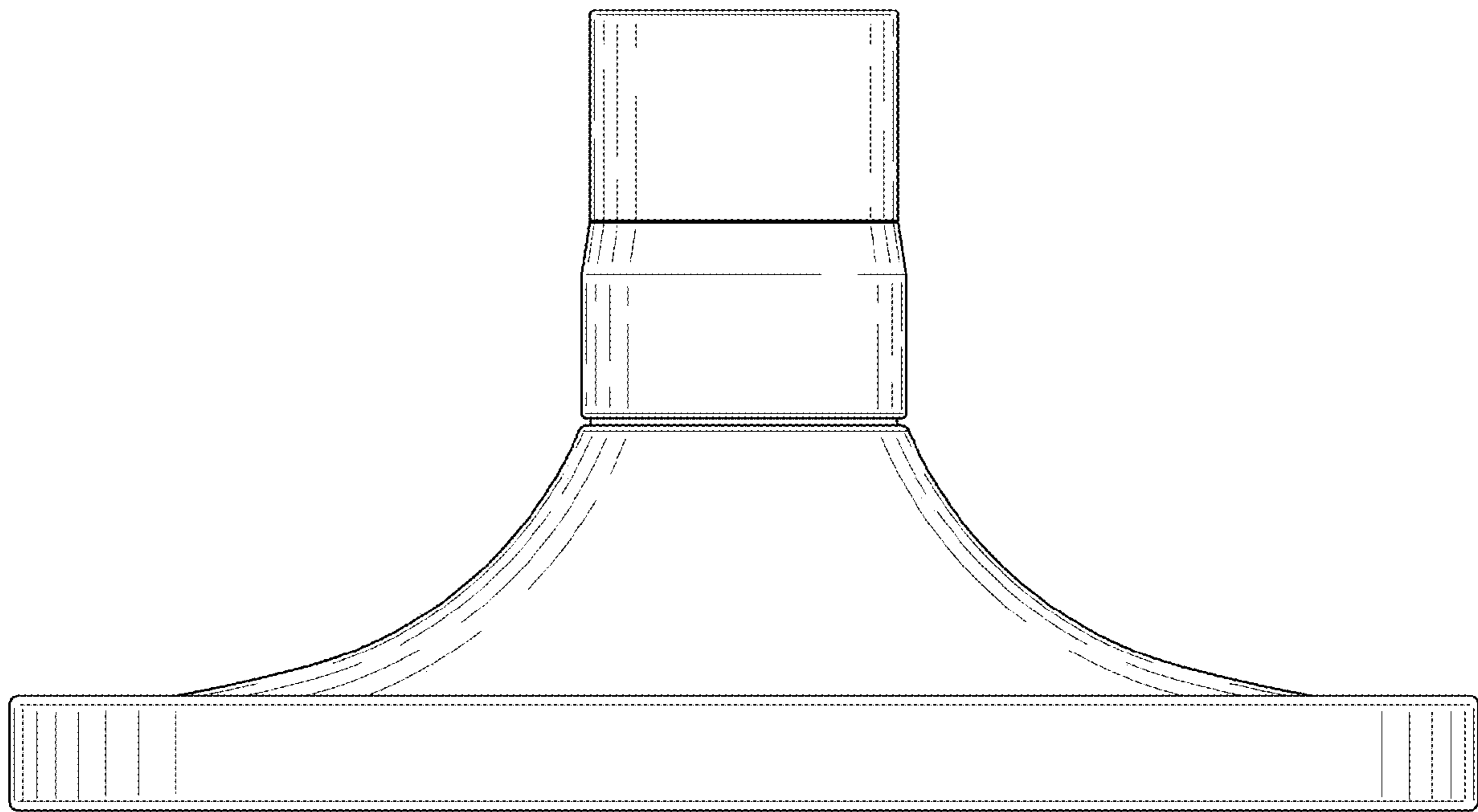


FIG. 3

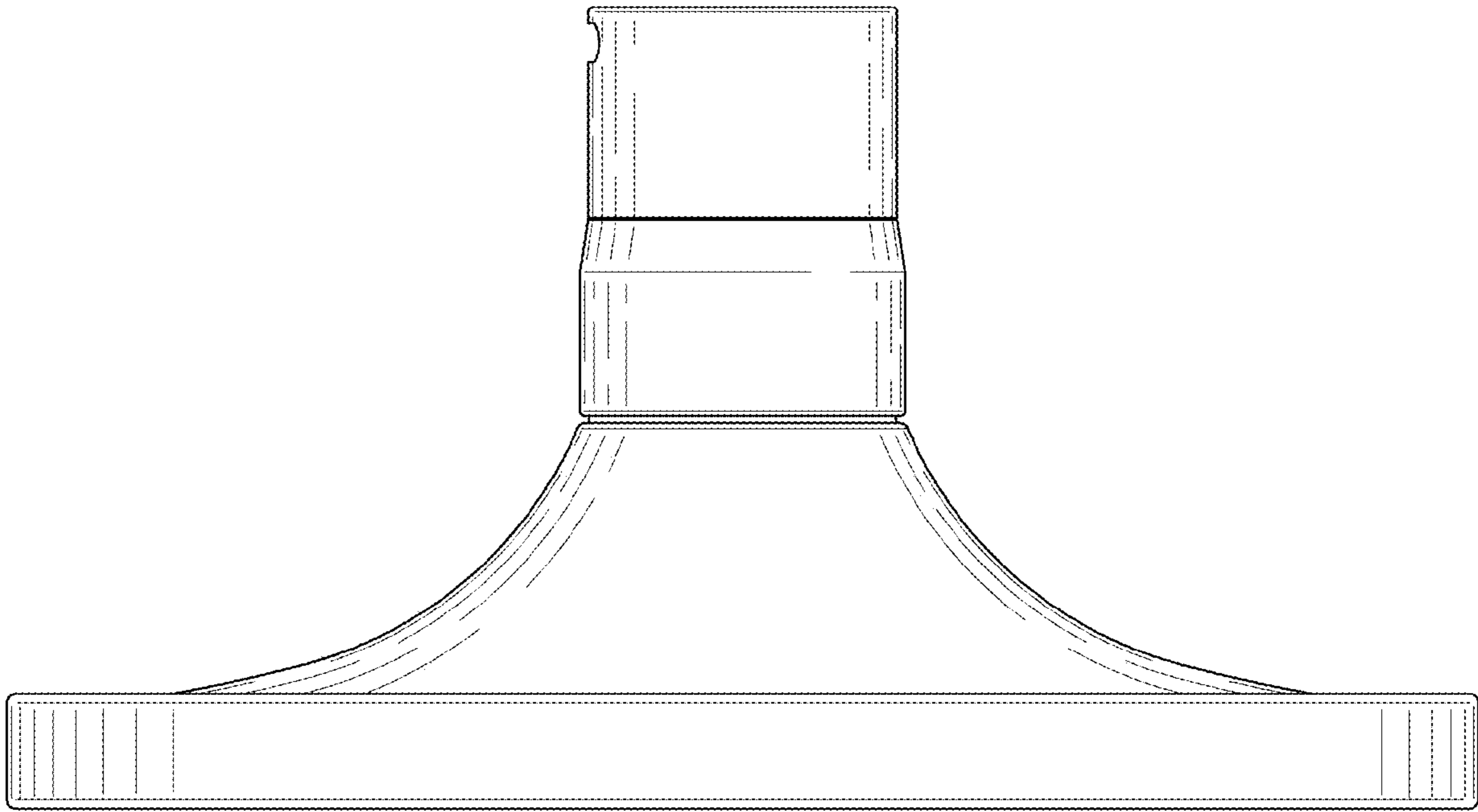


FIG. 4

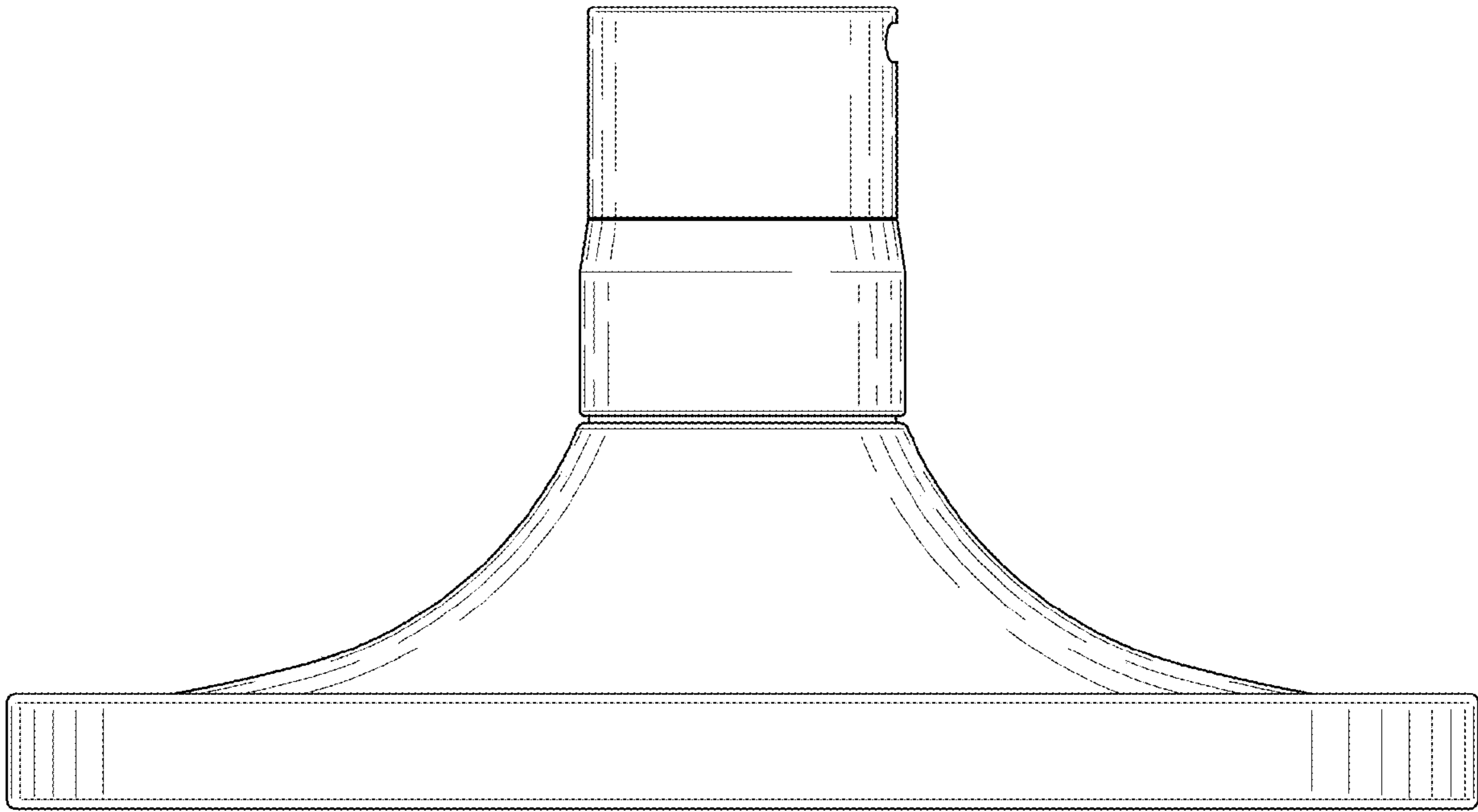


FIG. 5

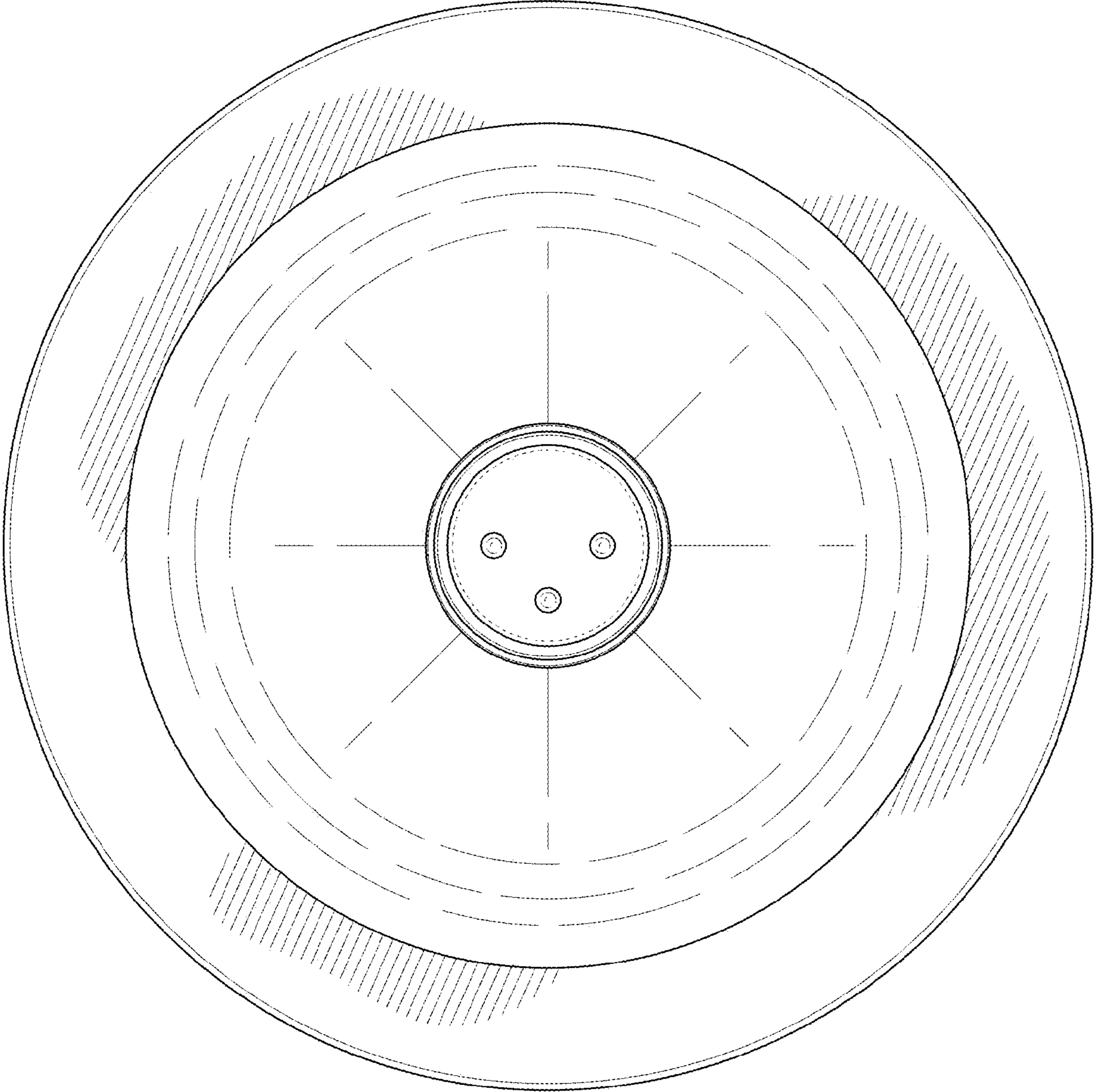


FIG. 6

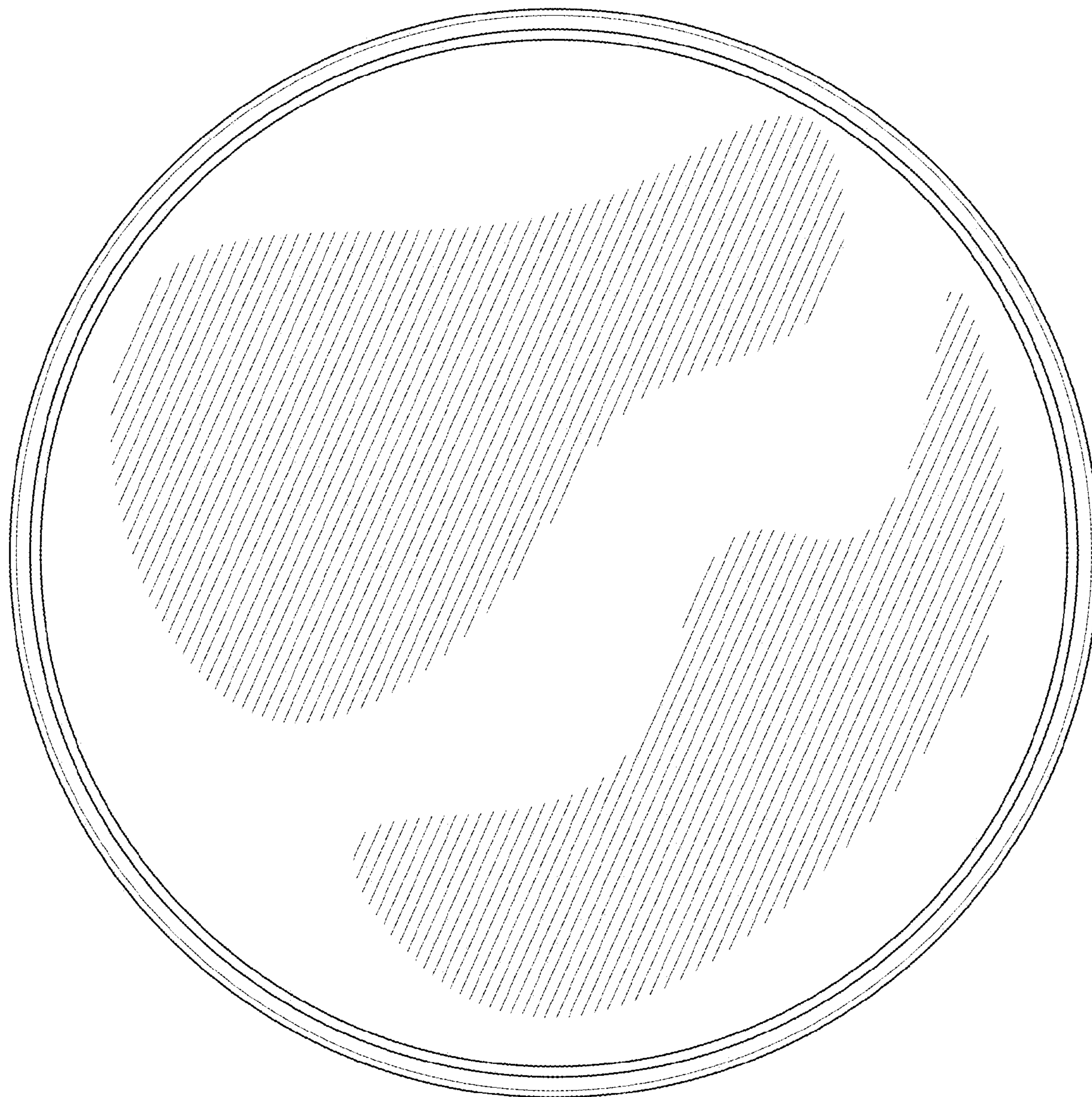


FIG. 7