



US00D985361S

(12) **United States Design Patent**
Xiang

(10) **Patent No.:** **US D985,361 S**

(45) **Date of Patent:** **** May 9, 2023**

(54) **LOCK**

(71) Applicant: **Dezhao Xiang**, Shenzhen (CN)

(72) Inventor: **Dezhao Xiang**, Shenzhen (CN)

(**) Term: **15 Years**

(21) Appl. No.: **29/814,336**

(22) Filed: **Nov. 5, 2021**

(51) **LOC (14) Cl.** **08-07**

(52) **U.S. Cl.**
USPC **D8/331; D8/300**

(58) **Field of Classification Search**
USPC D7/393, 396, 406, 543, 545, 547, 548;
D8/300-302, 305, 307, 311, 312,
D8/330-348, 350; D23/250, 421
CPC E05B 1/0007; E05B 55/005; E05B 1/0053;
E05B 17/142; Y10S 16/30; Y10S 70/31
See application file for complete search history.

(56) **References Cited**

U.S. PATENT DOCUMENTS

D223,797 S *	6/1972	Jensen	D23/250
4,347,758 A *	9/1982	Geil	G05G 5/06
				D8/312
D297,807 S *	9/1988	Fildan	D8/312
D329,590 S *	9/1992	Chapman	D8/402
D589,776 S *	4/2009	Camp	D8/312
D631,726 S *	2/2011	Ferreira Sanchez	D8/312
D795,395 S *	8/2017	Kington	D23/250
D815,251 S *	4/2018	Ho	D23/250
D816,622 S *	5/2018	Feng	D8/312
D844,408 S *	4/2019	Lu	D8/301
10,329,802 B1 *	6/2019	Huang	E05B 63/006

D878,894 S *	3/2020	Wilson, II	D8/312
D892,274 S *	8/2020	Soulier	D23/250
D912,491 S *	3/2021	Zwakman	D8/301
D917,261 S *	4/2021	Kho	D8/322
D923,454 S *	6/2021	Chen	D8/331
D936,183 S *	11/2021	Hoogendoorn	D23/250
D937,655 S *	12/2021	Snodgrass	D8/301
D964,838 S *	9/2022	Liu	D8/301
D965,407 S *	10/2022	Snodgrass	D8/321
D971,002 S *	11/2022	Liu	D8/302
2013/0185897 A1 *	7/2013	Bracey	E05B 1/04
				16/110.1
2020/0141157 A1 *	5/2020	Miller	E05B 47/0012
2020/0328051 A1 *	10/2020	Treger	H01H 19/005
2022/0186526 A1 *	6/2022	Xiang	E05B 63/0056

* cited by examiner

Primary Examiner — David G Muller
Assistant Examiner — Christina Gabrielle Cosden

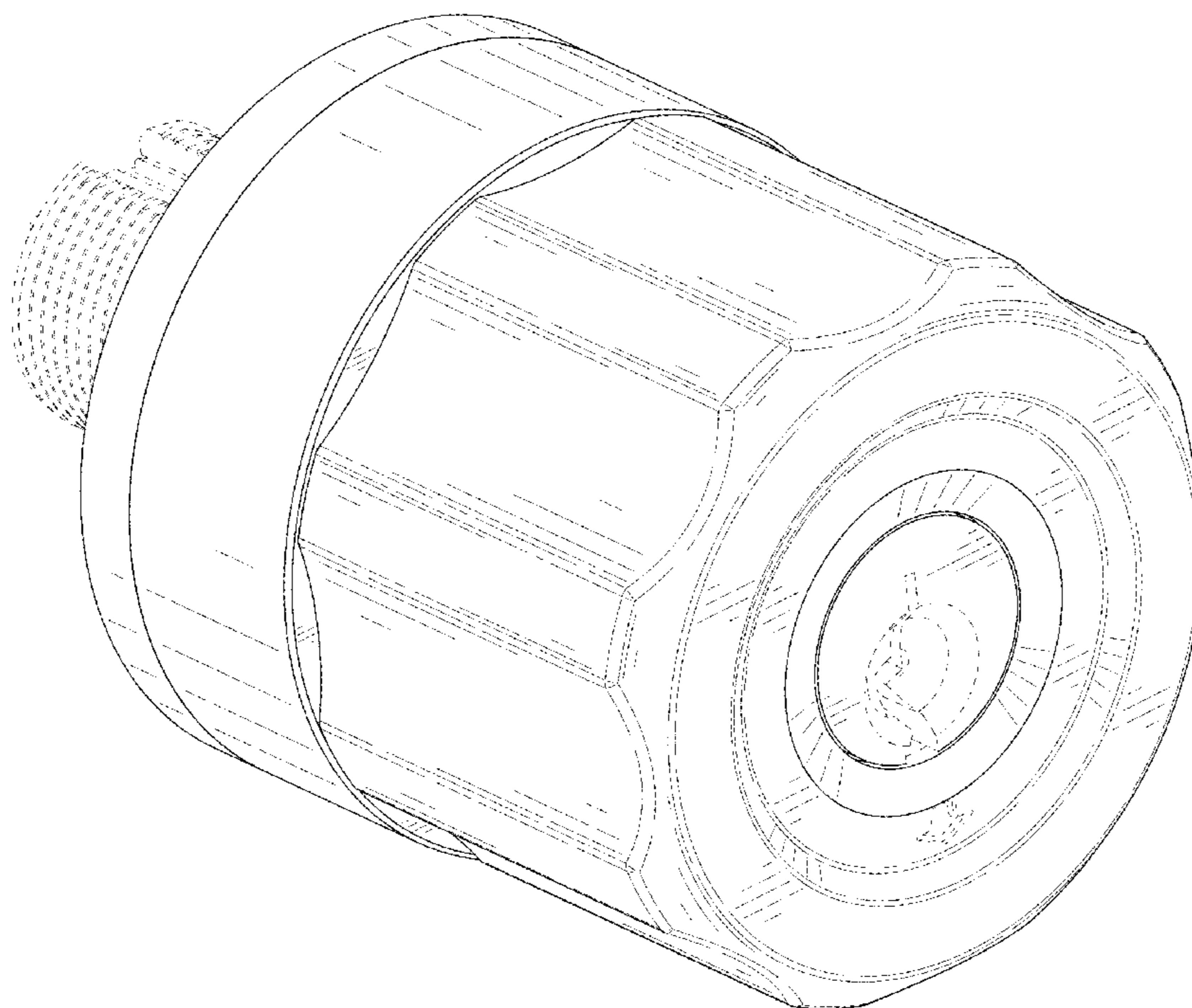
(57) **CLAIM**

The ornamental design for a lock, as shown and described.

DESCRIPTION

FIG. 1 is a perspective view of a lock showing my new design;
FIG. 2 is another perspective view thereof;
FIG. 3 is a front elevational view thereof;
FIG. 4 is a rear elevational view thereof;
FIG. 5 is a left side elevational view thereof;
FIG. 6 is a right side elevational view thereof;
FIG. 7 is a top plan view thereof; and,
FIG. 8 is a bottom plan view thereof.
The broken lines in the drawings depict portions of the lock that form no part of the claimed design.

1 Claim, 8 Drawing Sheets



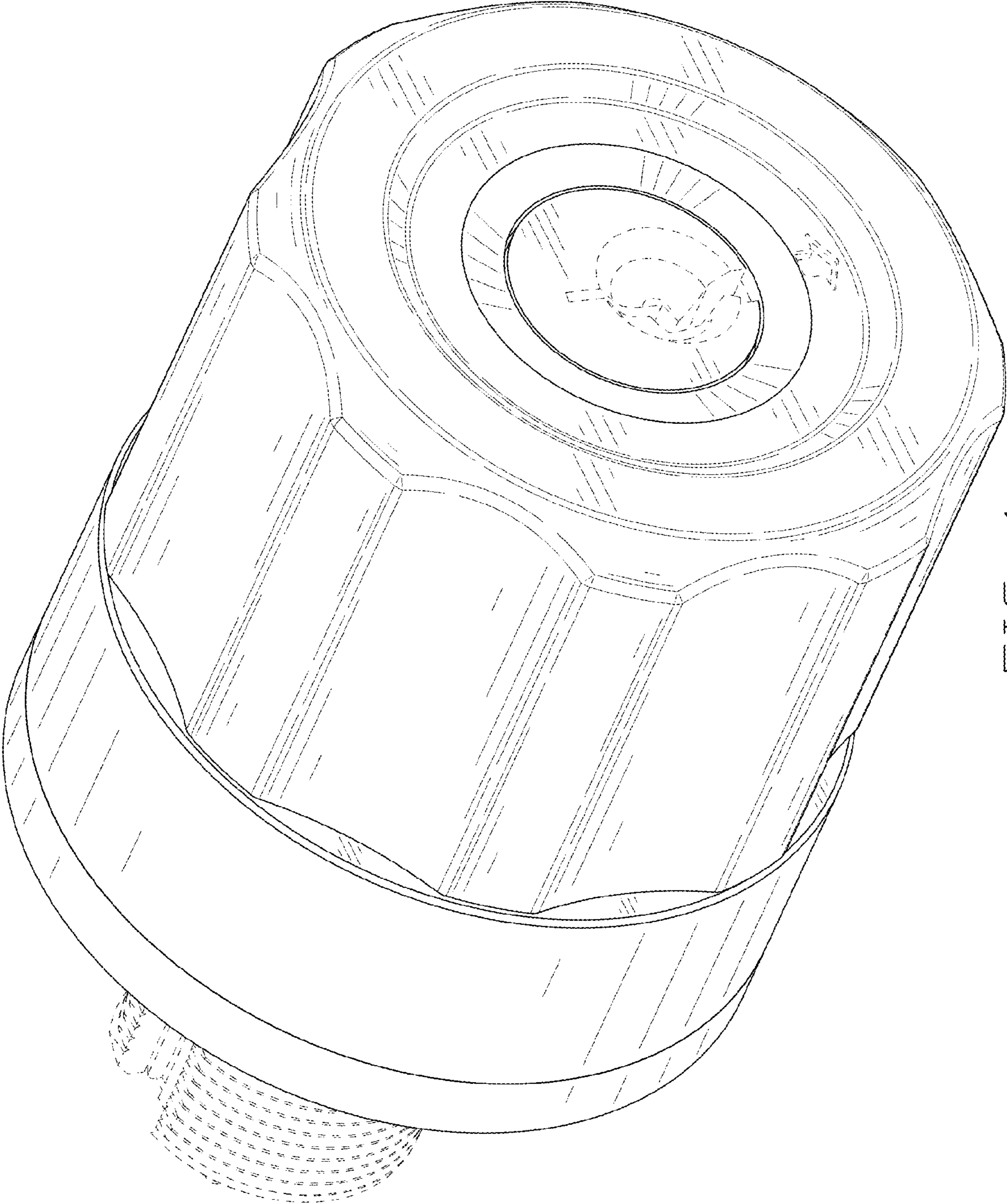


FIG. 1

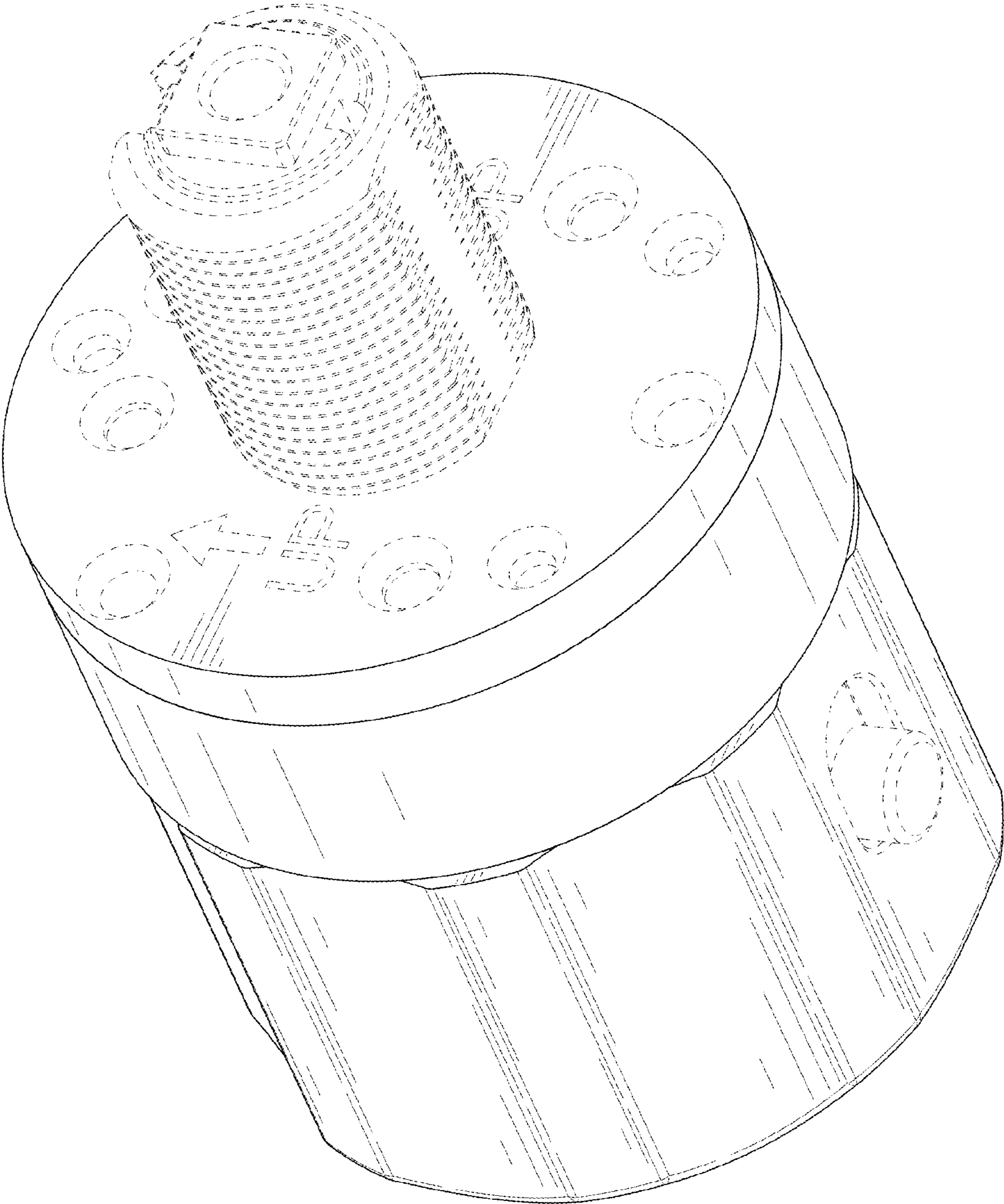


FIG. 2

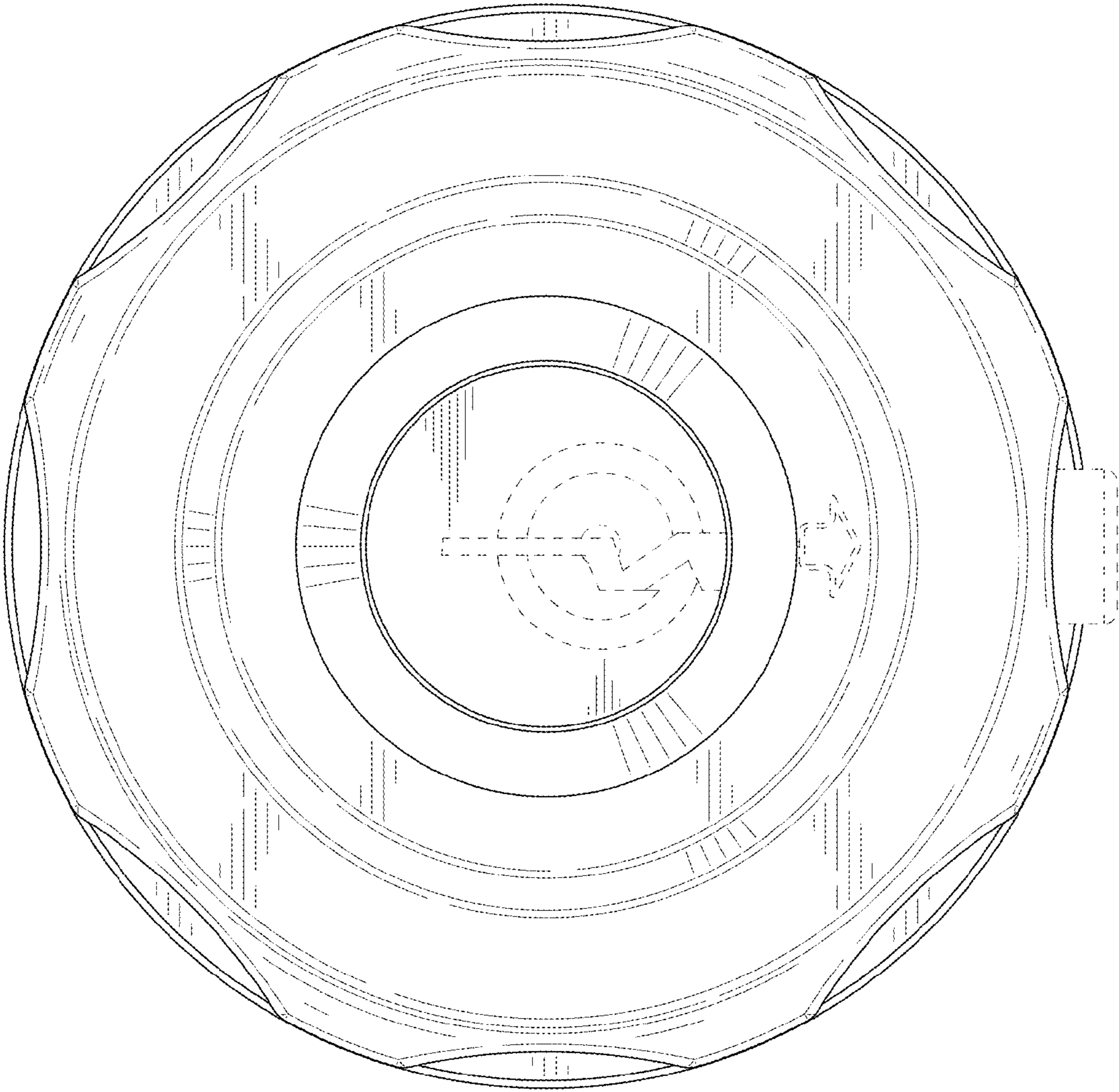


FIG. 3

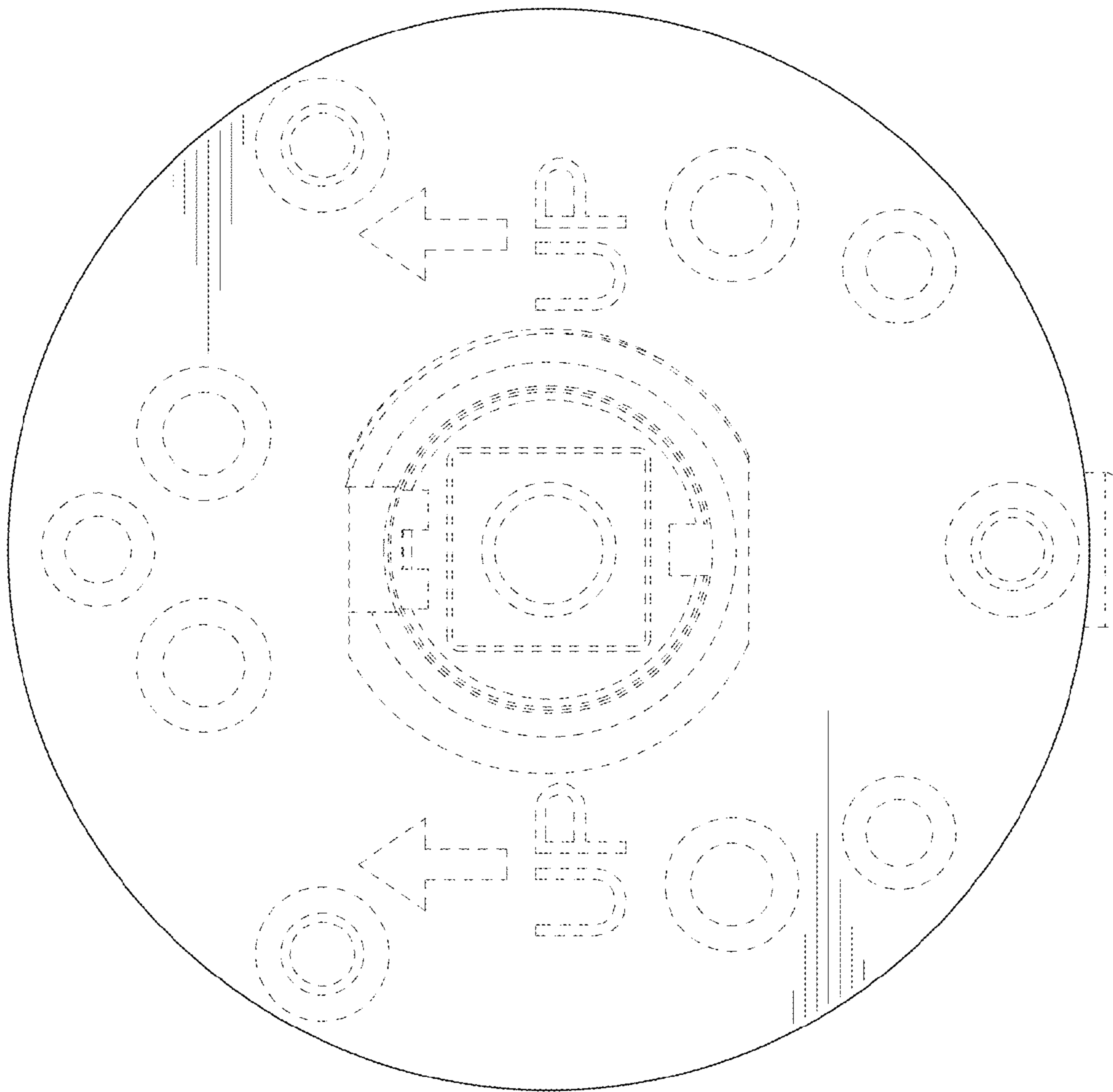


FIG. 4

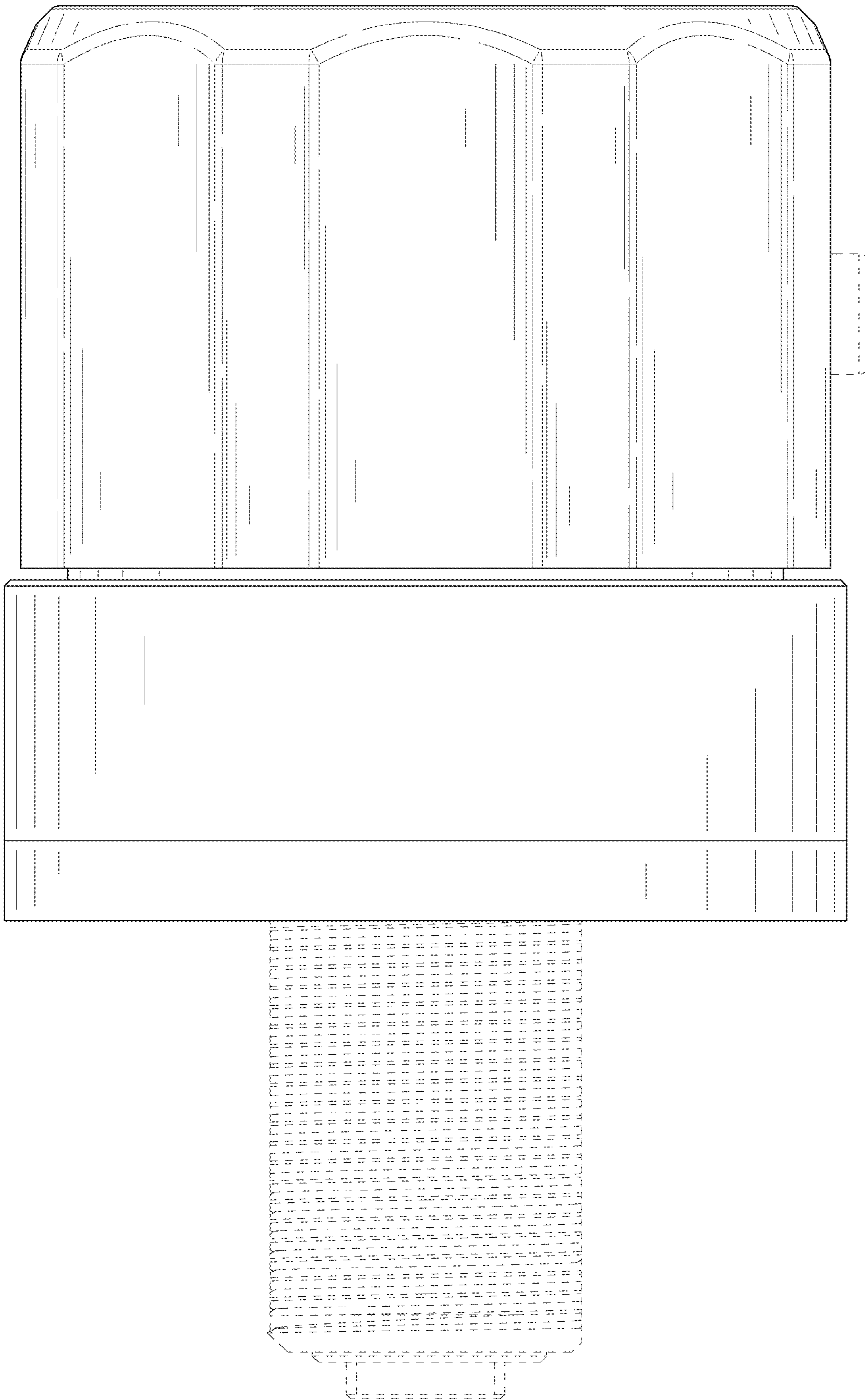


FIG. 5

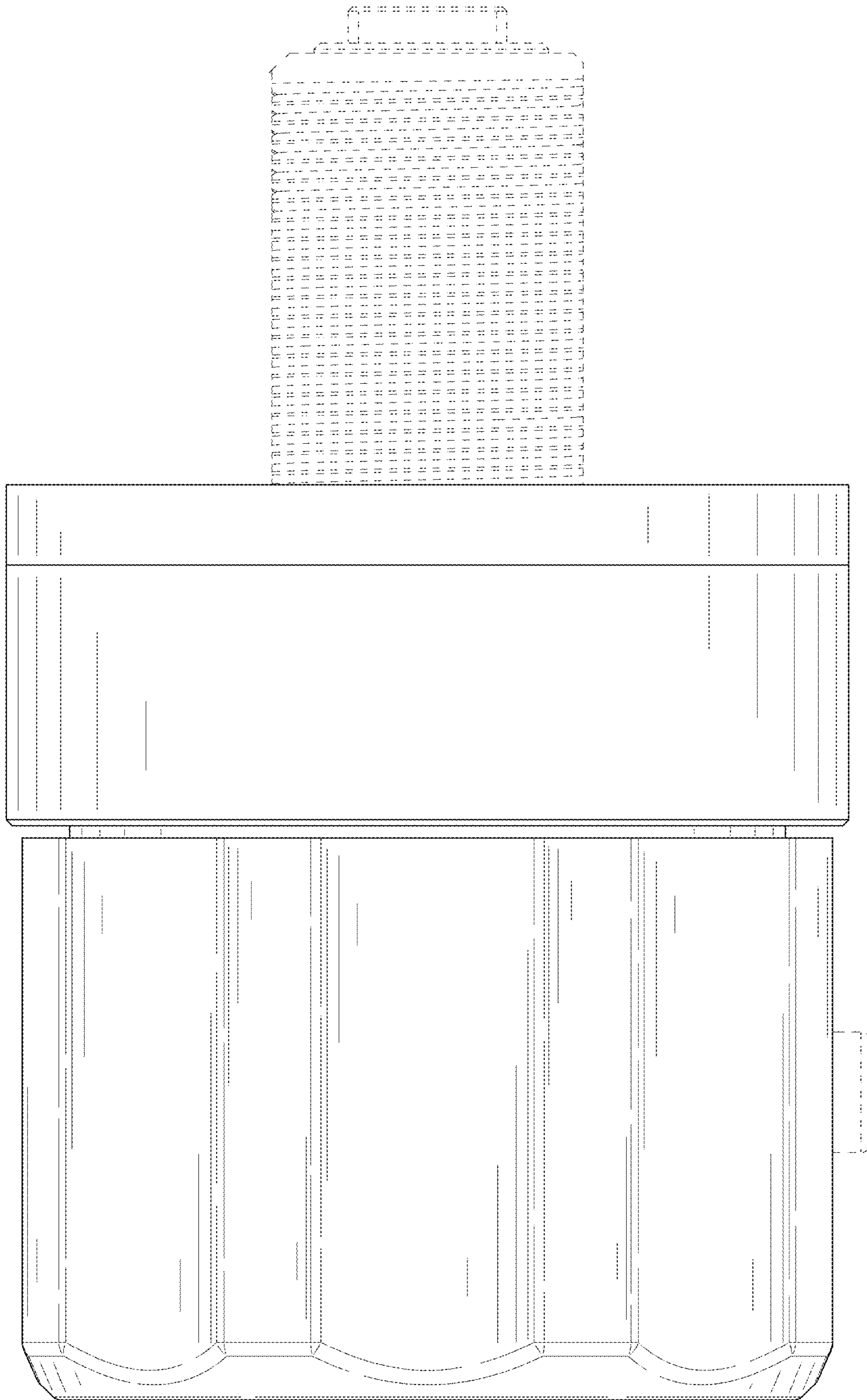


FIG. 6

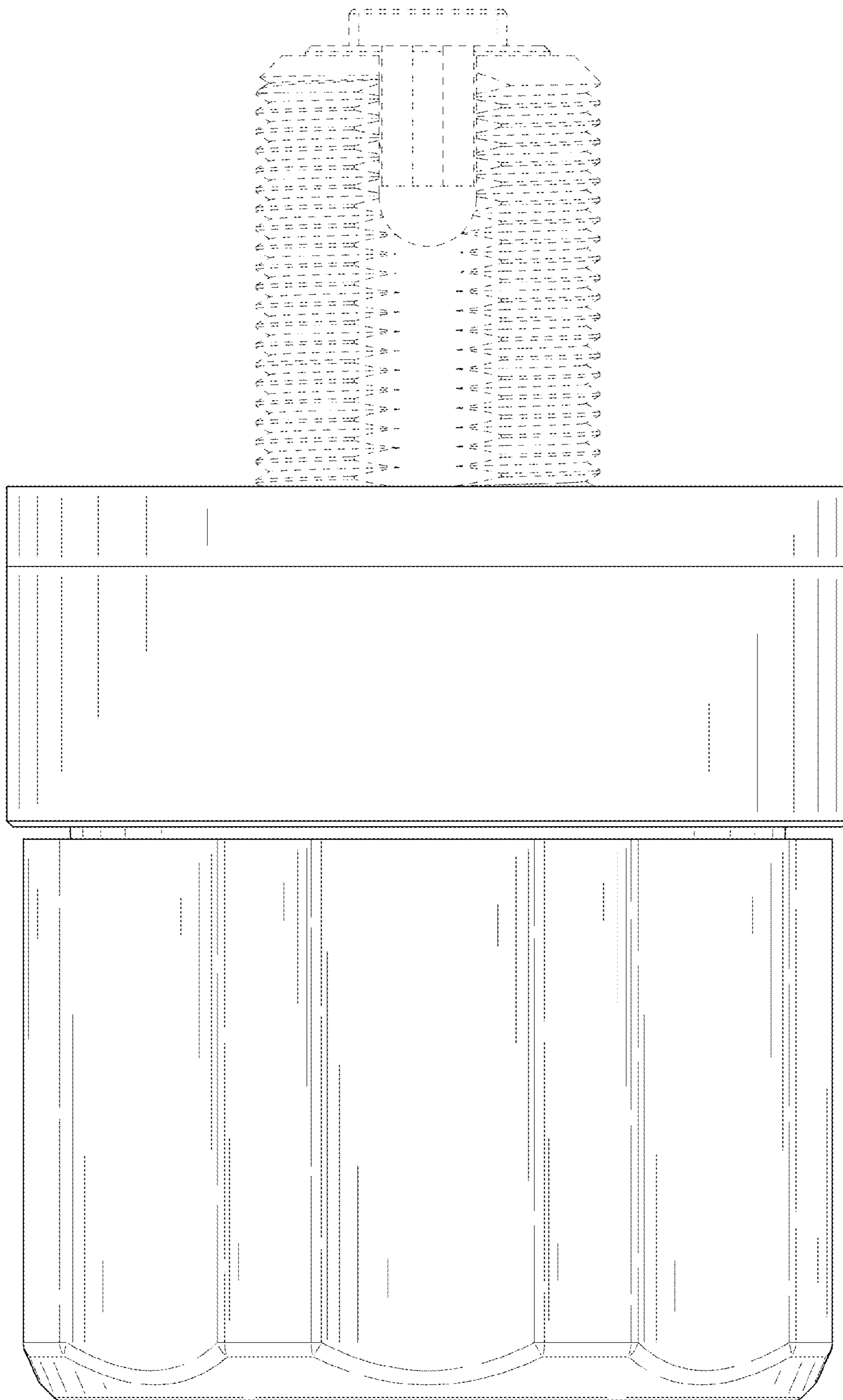


FIG. 7

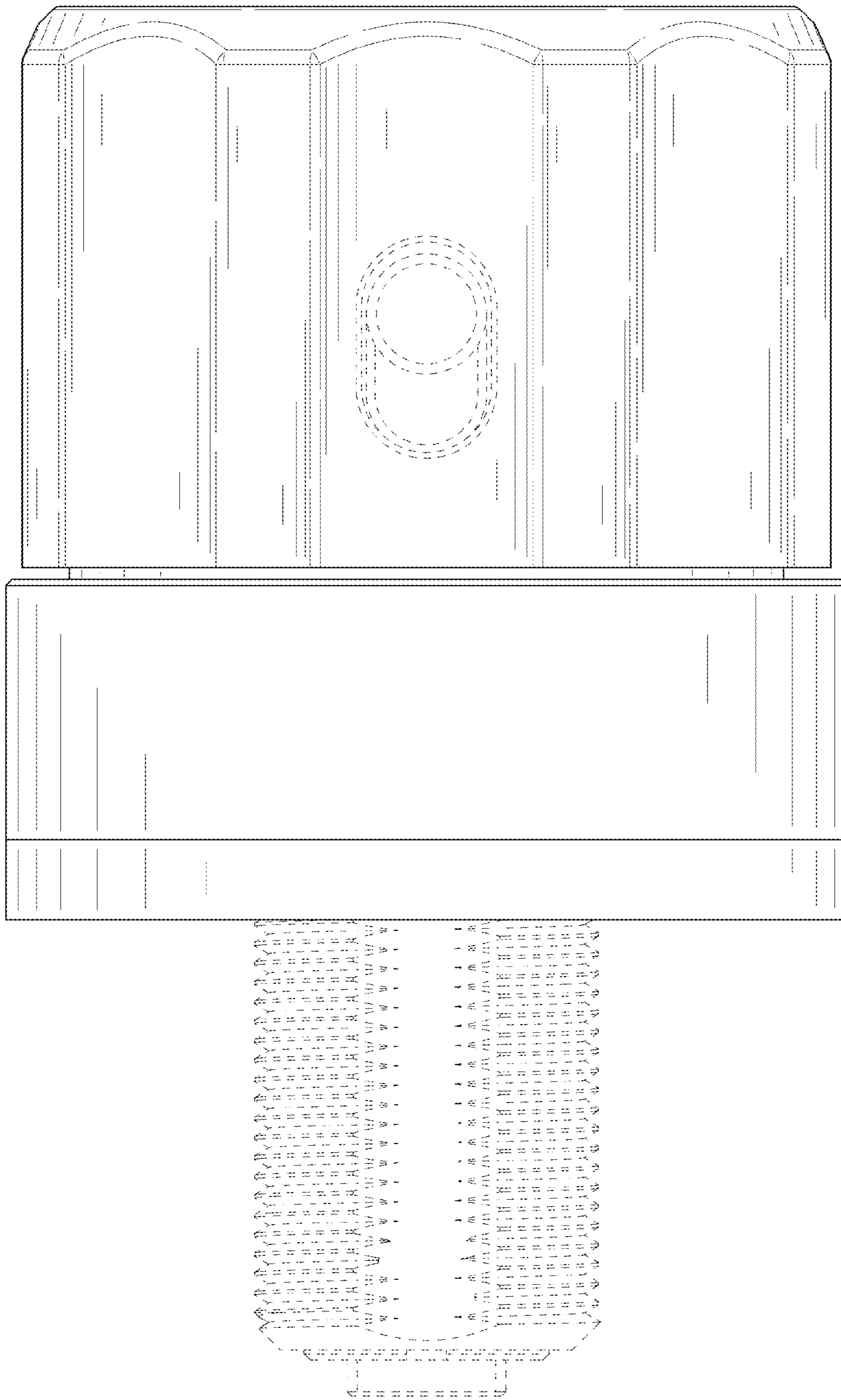


FIG. 8