



US00D985360S

(12) **United States Design Patent** (10) **Patent No.:** **US D985,360 S**
Dai (45) **Date of Patent:** **** May 9, 2023**

(54) **FINGERPRINT DEADBOLT LOCK**

(71) Applicant: **SAFESKY TECHNOLOGY CO., LTD.**, Shenzhen (CN)

(72) Inventor: **Rui Dai**, Shenzhen (CN)

(73) Assignee: **SAFESKY TECHNOLOGY CO., LTD.**, Shenzhen (CN)

(**) Term: **15 Years**

(21) Appl. No.: **29/798,655**

(22) Filed: **Jul. 9, 2021**

(51) **LOC (14) Cl.** **08-07**

(52) **U.S. Cl.**
USPC **D8/331**

(58) **Field of Classification Search**
USPC D8/330, 331
CPC . E05B 3/02; E05B 3/003; E05B 71/00; E05B 3/04; E05B 2047/0057; E05B 47/00; E05B 1/00; E05B 2047/0058; Y10T 292/85; Y10T 70/7068; Y10T 70/7141; Y10T 70/7237; Y10T 70/8568
See application file for complete search history.

(56) **References Cited**

U.S. PATENT DOCUMENTS

D686,056 S * 7/2013 Li D8/338
D733,522 S * 7/2015 Kim D8/331

D735,016 S * 7/2015 Kim D8/331
D768,463 S * 10/2016 Kraus D8/330
D883,068 S * 5/2020 Guo D8/331
D885,865 S * 6/2020 Laurans D8/331
D887,248 S * 6/2020 Laurans D8/331
D887,249 S * 6/2020 Laurans D8/331
D888,537 S * 6/2020 Laurans D8/331
D906,783 S * 1/2021 Jung D8/330
D920,766 S * 6/2021 Zheng D8/331
D974,871 S * 1/2023 Liao D8/331

* cited by examiner

Primary Examiner — Philip S Hyder

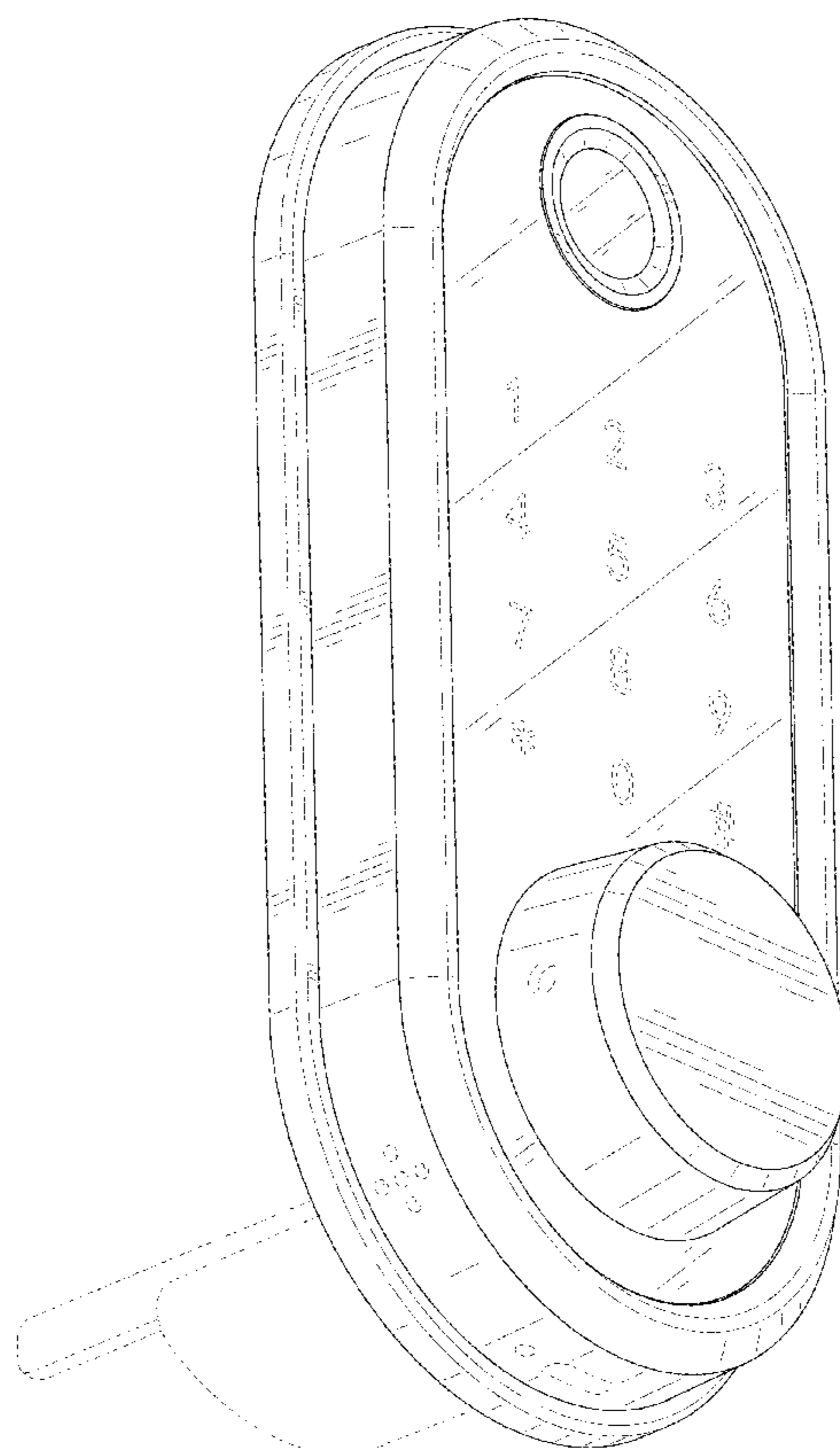
(57) **CLAIM**

The ornamental design for a fingerprint deadbolt lock, as shown and described.

DESCRIPTION

FIG. 1 is a perspective view of a fingerprint deadbolt lock showing my new design;
FIG. 2 is another perspective view thereof;
FIG. 3 is a front elevational view thereof;
FIG. 4 is a rear elevational view thereof;
FIG. 5 is a left side elevational view thereof;
FIG. 6 is a right side elevational view thereof;
FIG. 7 is a top plan view thereof; and,
FIG. 8 is a bottom plan view thereof.
The broken lines in the drawings depict portions of the fingerprint deadbolt lock that form no part of the claimed design.

1 Claim, 8 Drawing Sheets



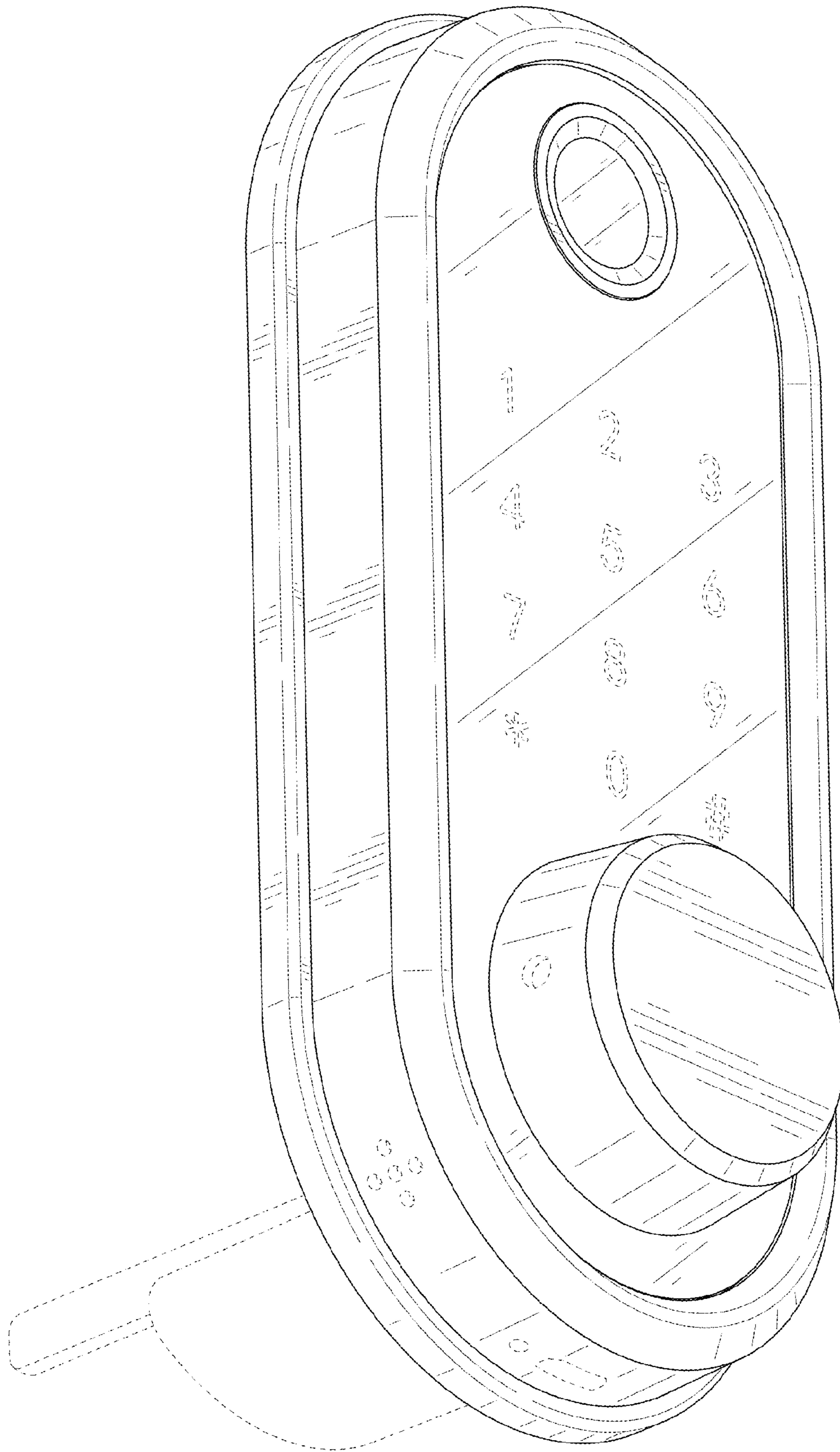


FIG. 1

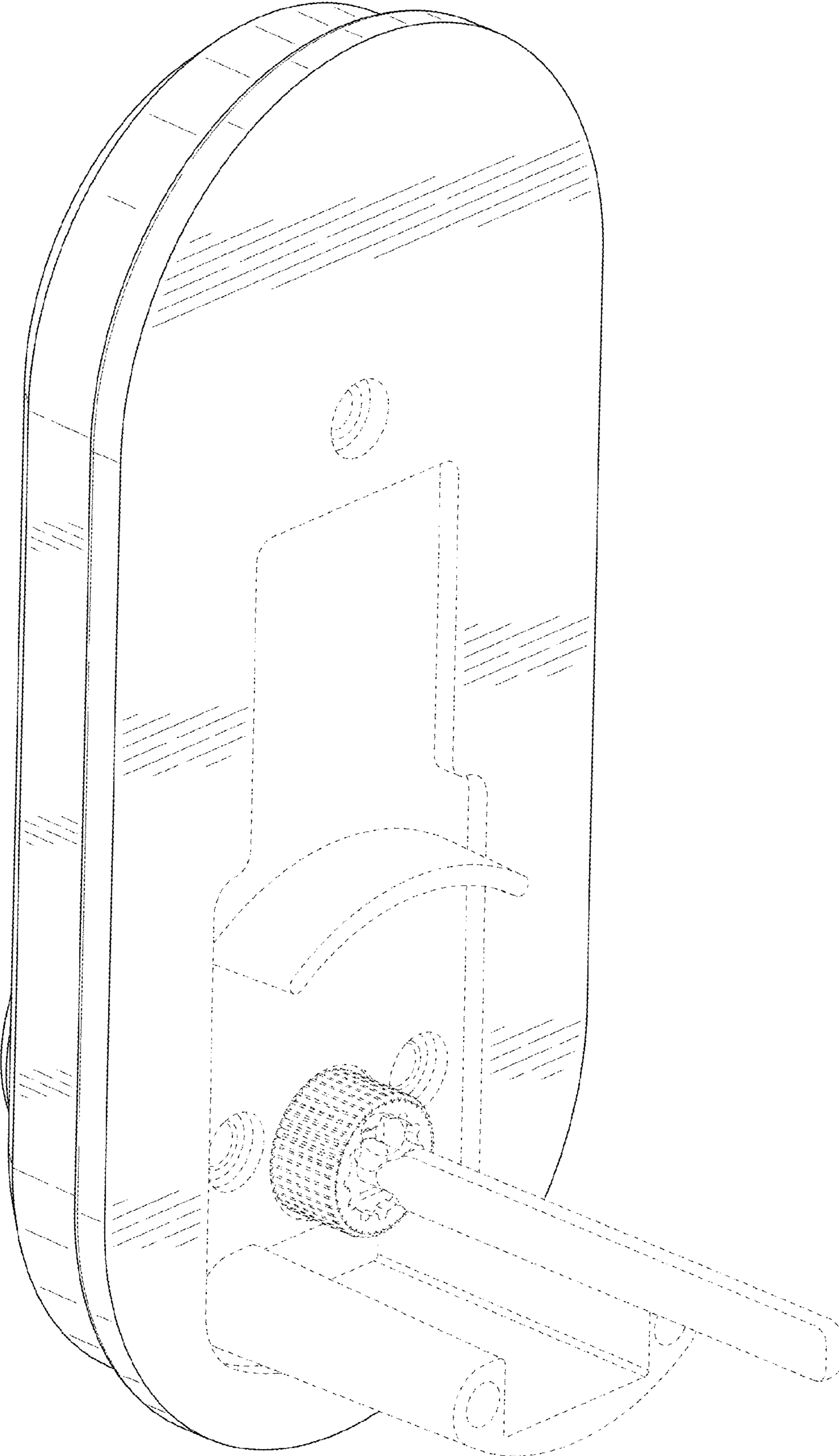


FIG. 2

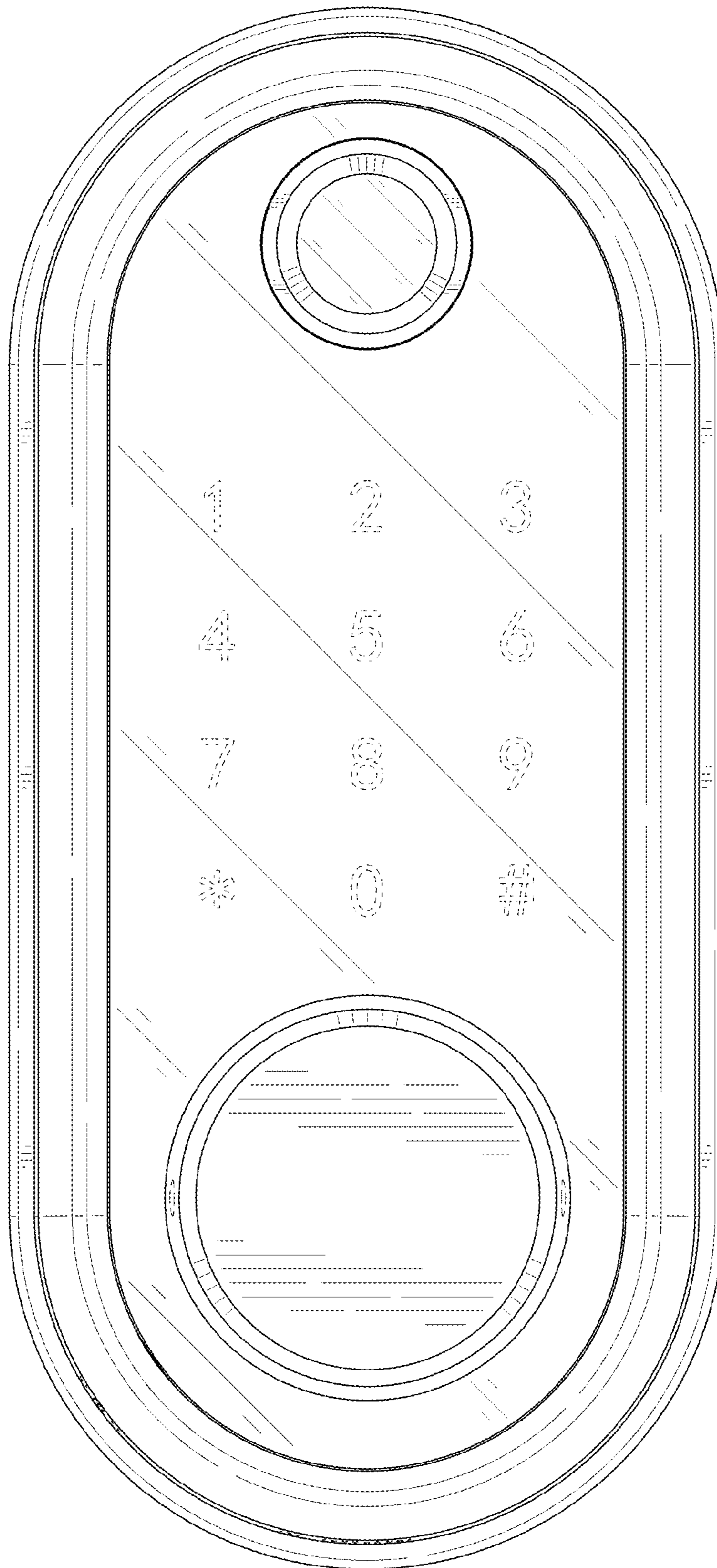


FIG. 3

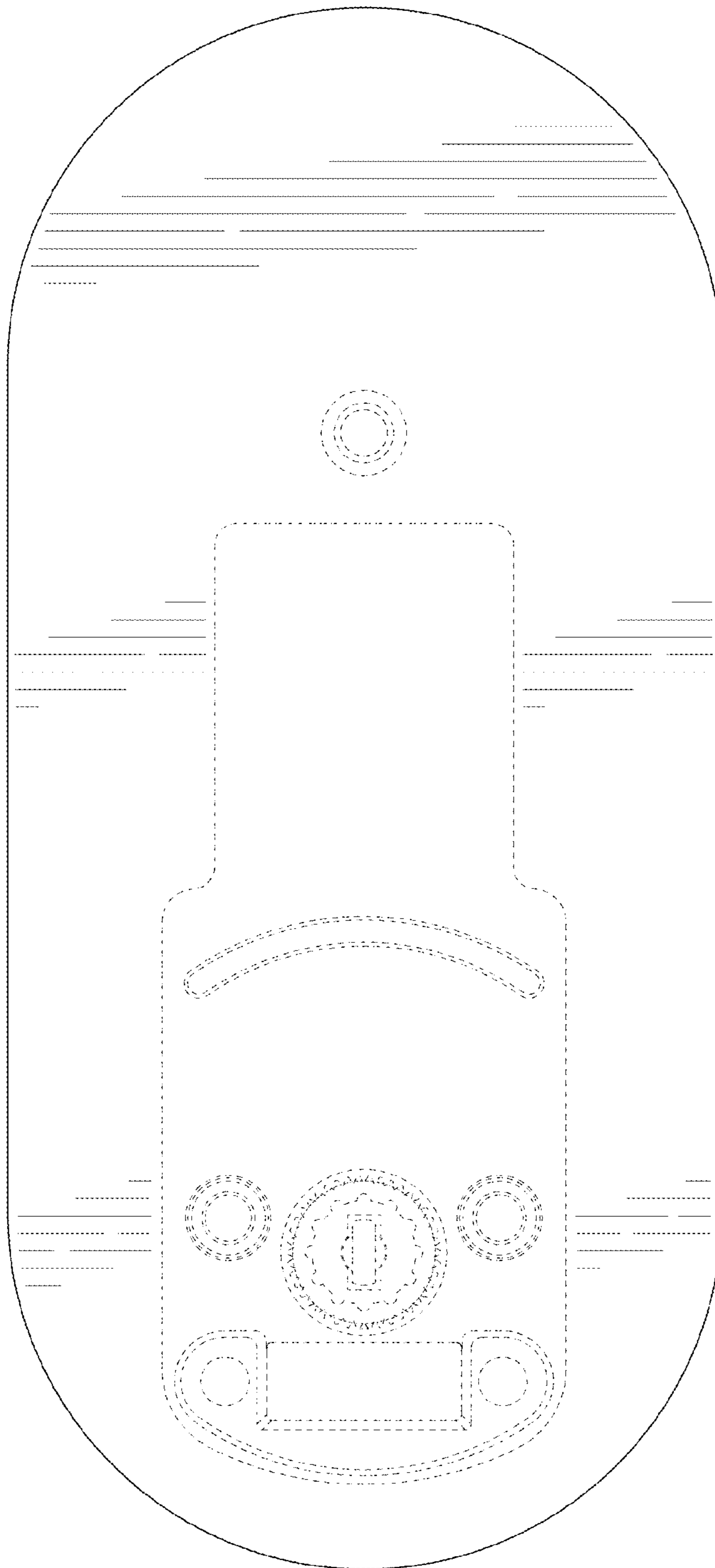


FIG. 4

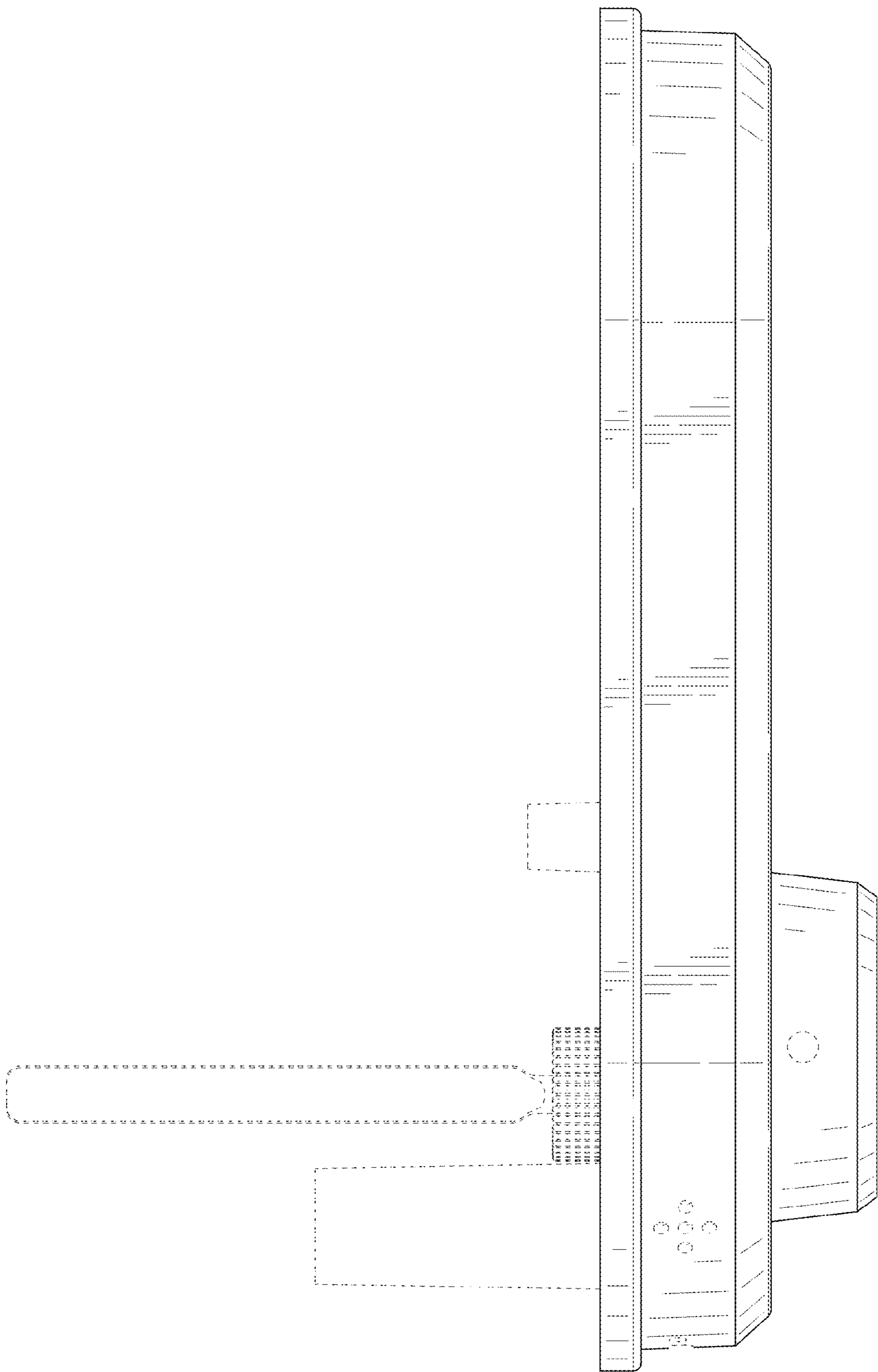


FIG. 5

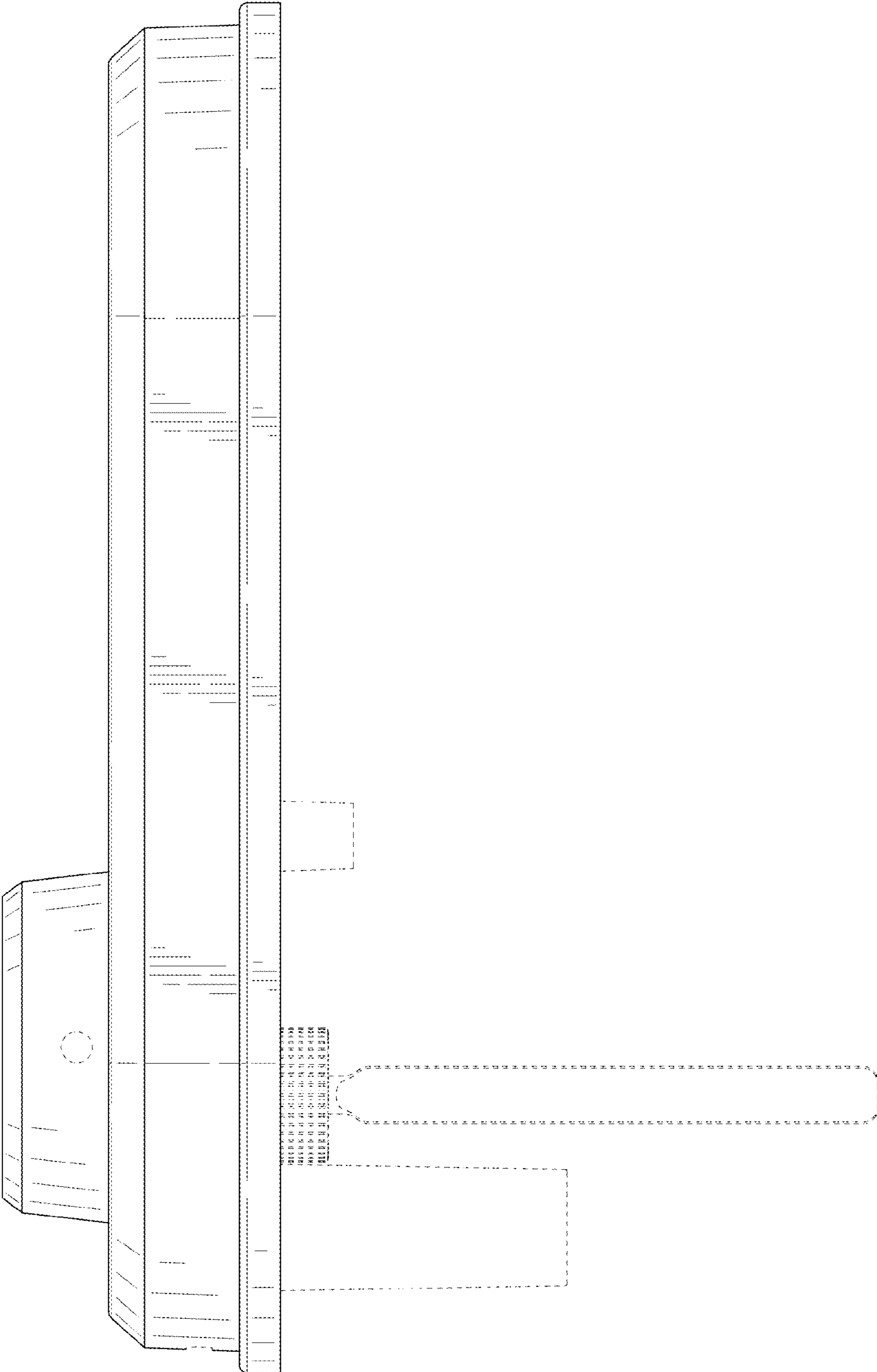


FIG. 6

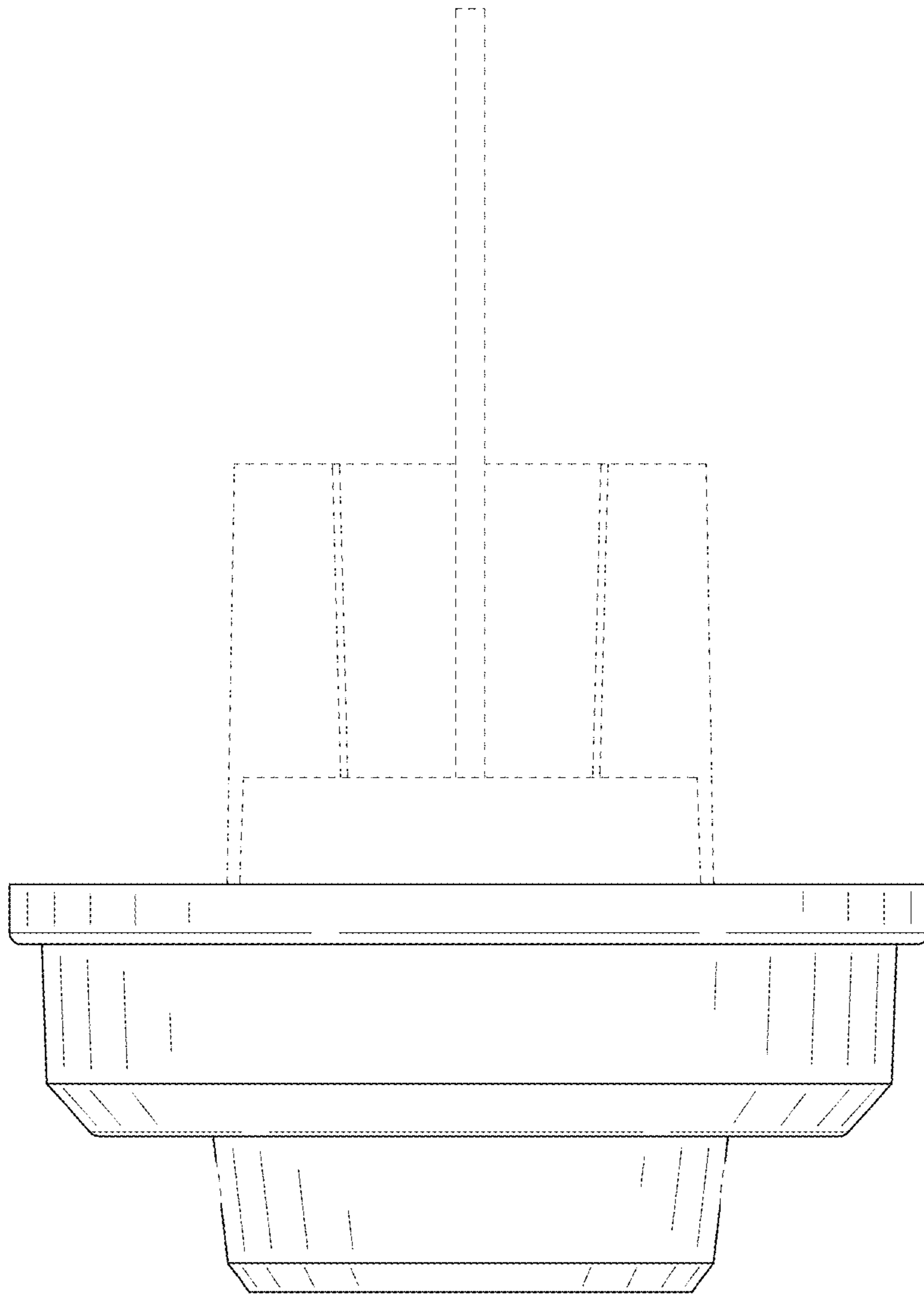


FIG. 7

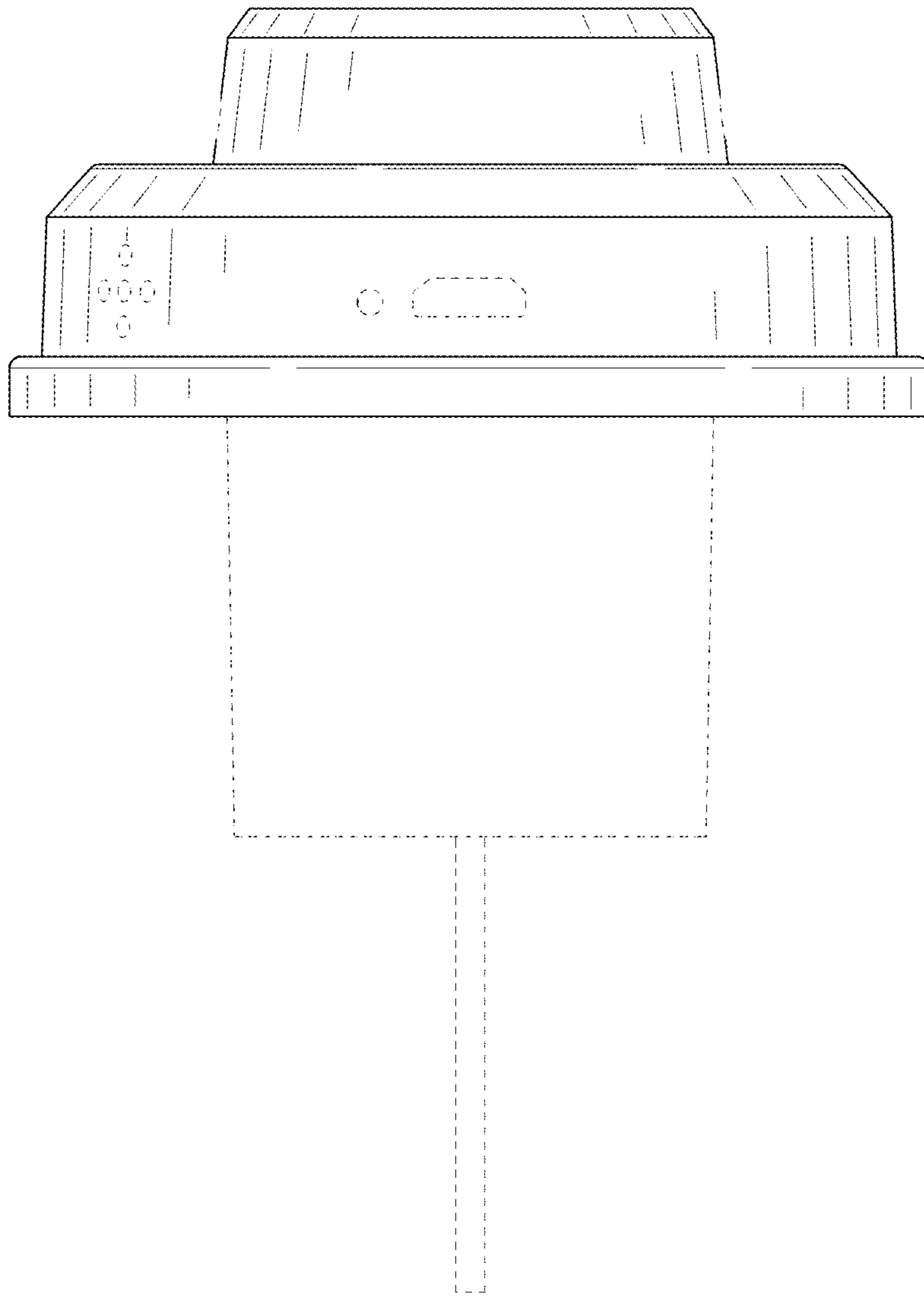


FIG. 8